



US00D716236S

(12) **United States Design Patent**
Baldwin et al.

(10) **Patent No.:** **US D716,236 S**
(45) **Date of Patent:** **** Oct. 28, 2014**

- (54) **CORD ENTRY**
- (71) Applicants: **Jeffrey Baldwin**, Desert Hills, AZ (US);
John Klein, Gilbert, AZ (US); **Ryan Liebengood**, Gilbert, AZ (US)
- (72) Inventors: **Jeffrey Baldwin**, Desert Hills, AZ (US);
John Klein, Gilbert, AZ (US); **Ryan Liebengood**, Gilbert, AZ (US)

D503,968 S	4/2005	Ruddick
D503,969 S	4/2005	Ruddick
D504,938 S	5/2005	Ruddick
D539,752 S	4/2007	Ruddick
D541,143 S	4/2007	Ruddick
7,696,434 B2	4/2010	Ruddick
D669,035 S	10/2012	Ruddick
D671,502 S	11/2012	Ruddick
D683,318 S	5/2013	Ruddick

* cited by examiner

- (**) Term: **14 Years**
- (21) Appl. No.: **29/489,869**

Primary Examiner — Derrick Holland
(74) *Attorney, Agent, or Firm* — Ryan Liebengood

- (22) Filed: **May 3, 2014**
- (51) **LOC (10) Cl.** **13-03**
- (52) **U.S. Cl.**
USPC **D13/155**
- (58) **Field of Classification Search**
USPC D13/155, 129, 131, 132, 133, 153, 154,
D13/156, 157, 184, 199; D8/354, 356, 366,
D8/380, 396; 138/106, 107, 112, 113, 116,
138/117, 155–158, 166–169, 174; 174/5 R,
174/38, 68.1, 68.2, 68.3, 101, 135, 136, 504
See application file for complete search history.

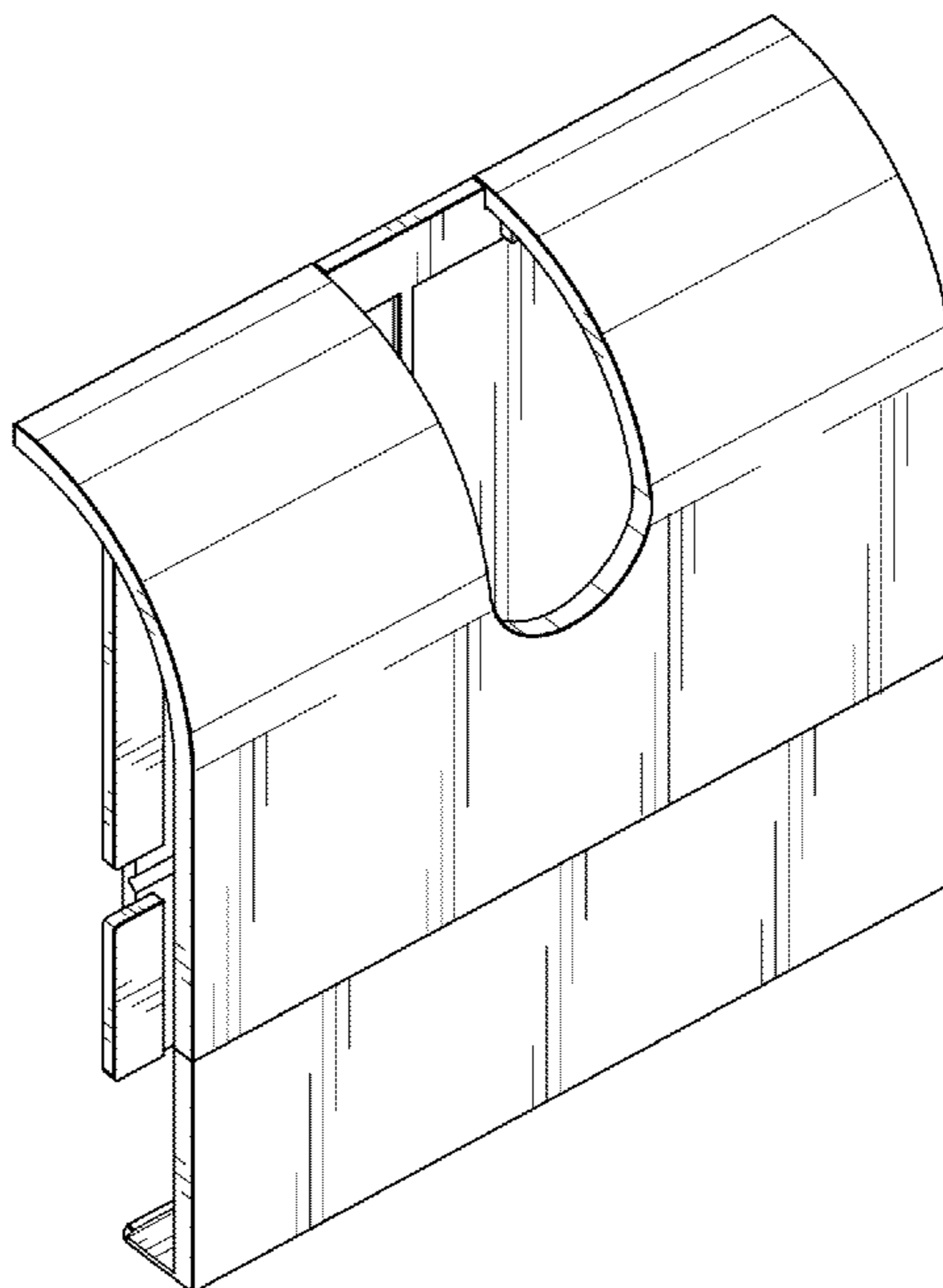
(57) **CLAIM**
We claim the ornamental design for a cord entry, as shown and described.

DESCRIPTION

FIG. 1 is a perspective view of a first embodiment of a cord entry showing our new design;
FIG. 2 is an end view thereof;
FIG. 3 is a front elevational view thereof;
FIG. 4 is a rear elevational view thereof;
FIG. 5 is a top plan view thereof;
FIG. 6 is a bottom plan view thereof;
FIG. 7 is a perspective view of a second embodiment of a cord entry showing our new design;
FIG. 8 is an end view thereof.
FIG. 9 is a front elevational view thereof;
FIG. 10 is a rear elevational view thereof;
FIG. 11 is a top plan view thereof; and,
FIG. 12 is a bottom plan view thereof.

- (56) **References Cited**
U.S. PATENT DOCUMENTS
- | | | | |
|----------------|---------|--------------|----------|
| 3,786,171 A * | 1/1974 | Shira | 174/504 |
| D251,779 S * | 5/1979 | Wolff et al. | D13/155 |
| D371,343 S * | 7/1996 | Loftus | D13/155 |
| 6,191,363 B1 * | 2/2001 | Samuels | 174/68.3 |
| 6,239,357 B1 * | 5/2001 | Mabry et al. | 174/5 R |
| D473,522 S * | 4/2003 | Dyer et al. | D13/155 |
| D498,211 S | 11/2004 | Thibault | |
| D499,699 S * | 12/2004 | Thibault | D13/155 |

1 Claim, 6 Drawing Sheets



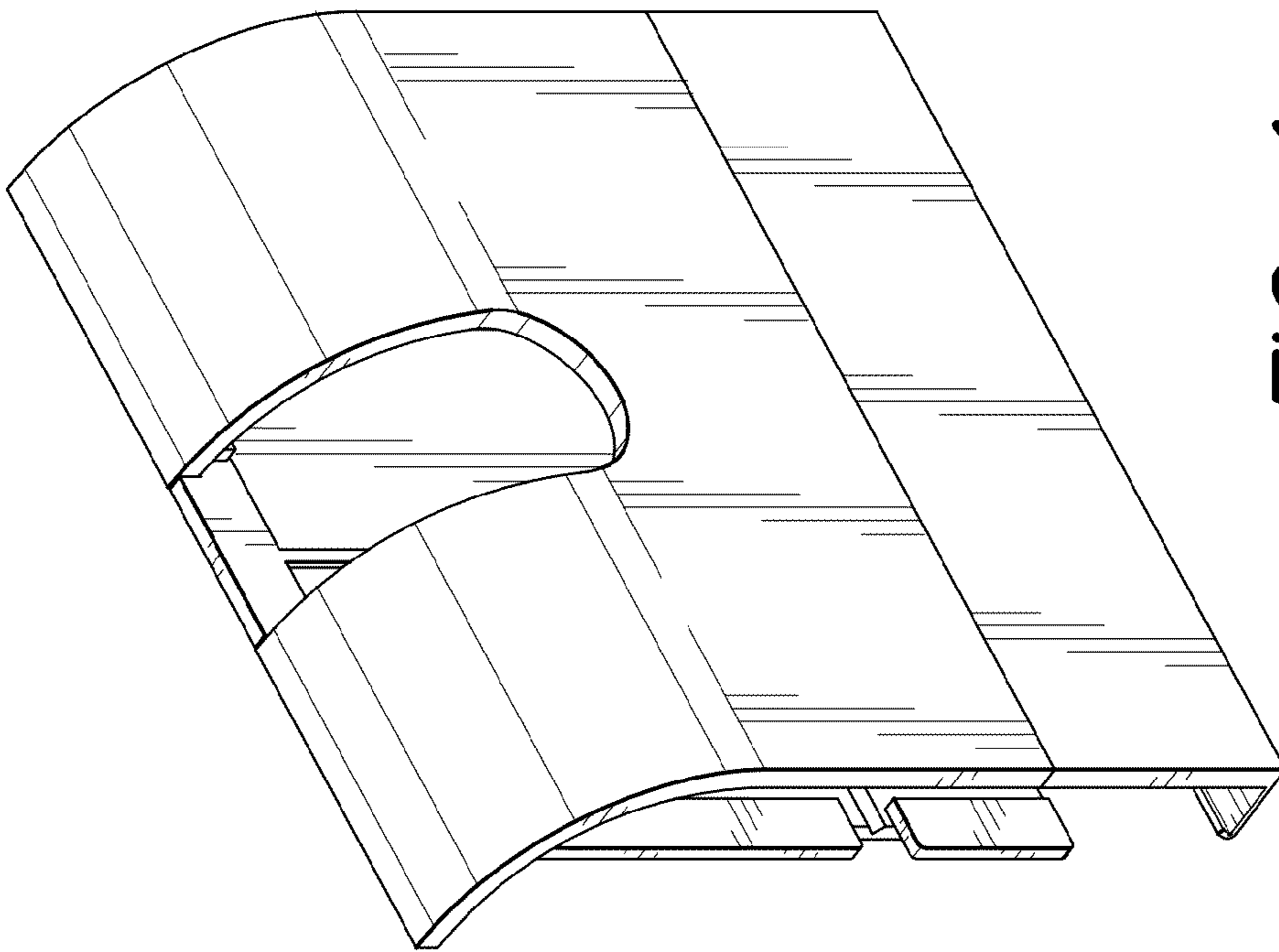


FIG. 1

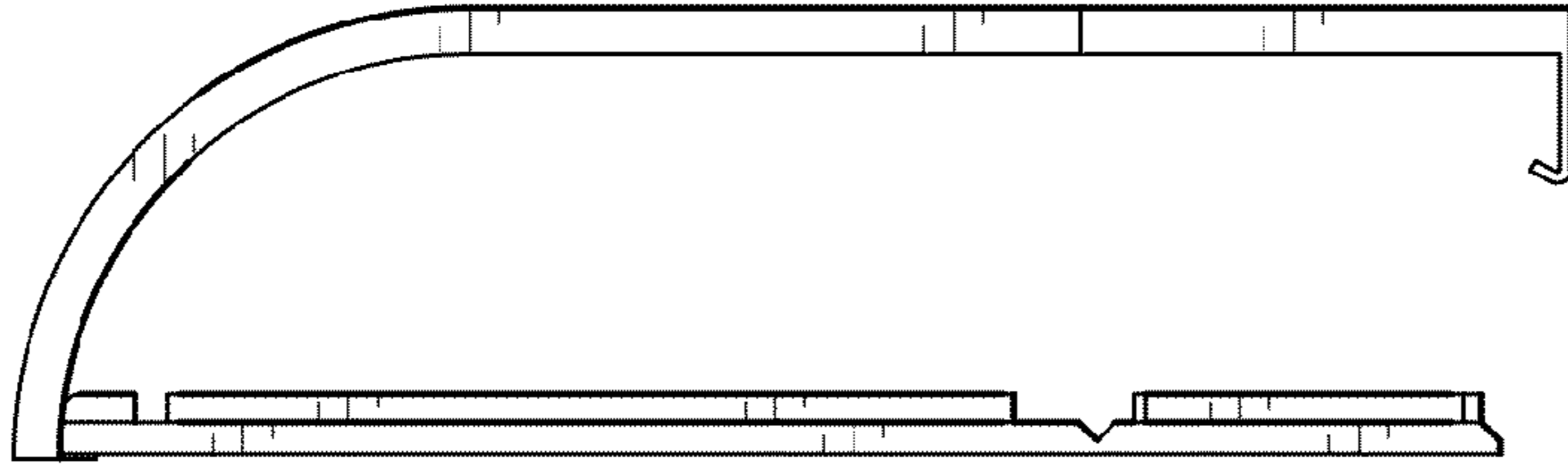


FIG. 2

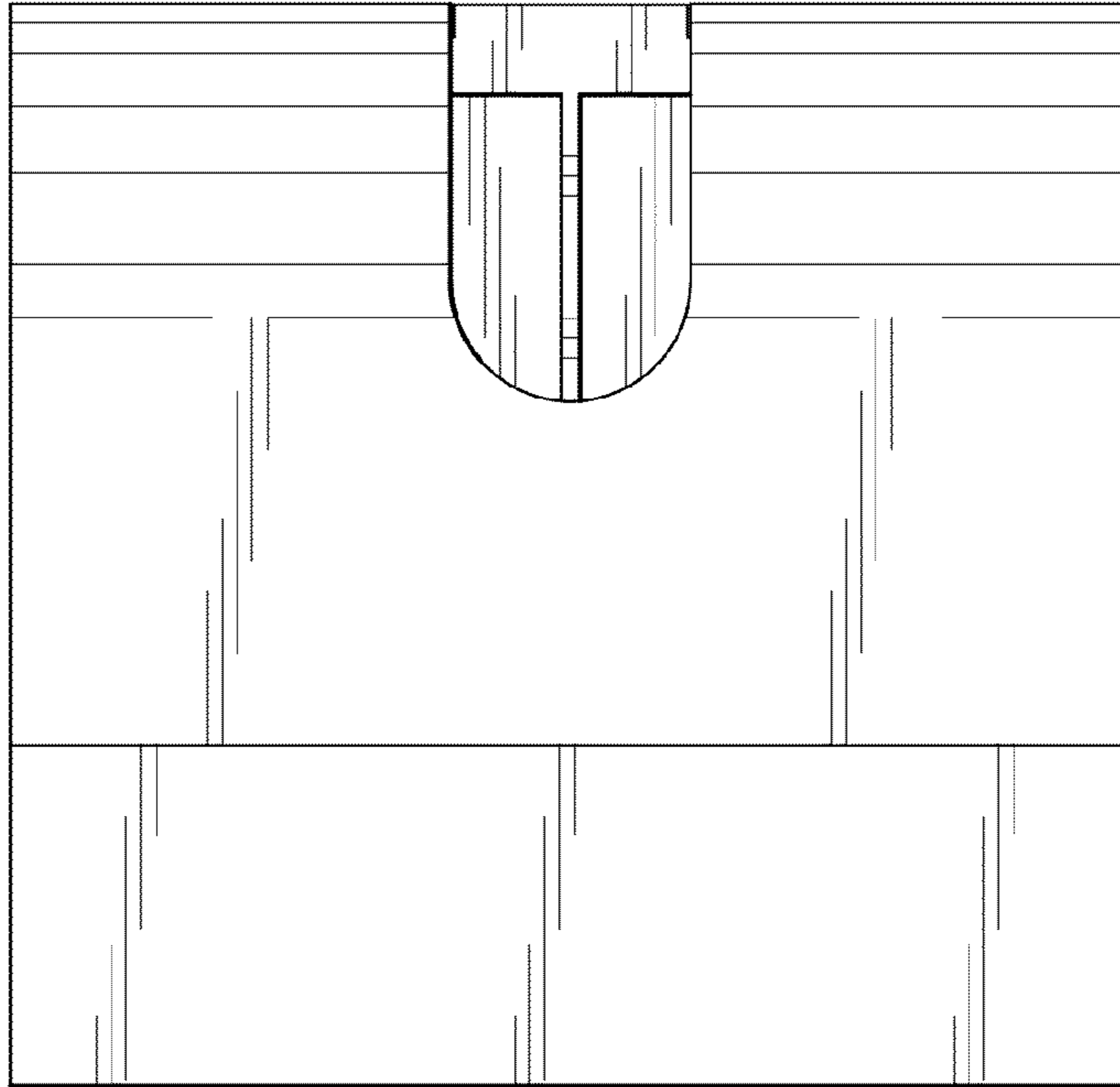


FIG. 3

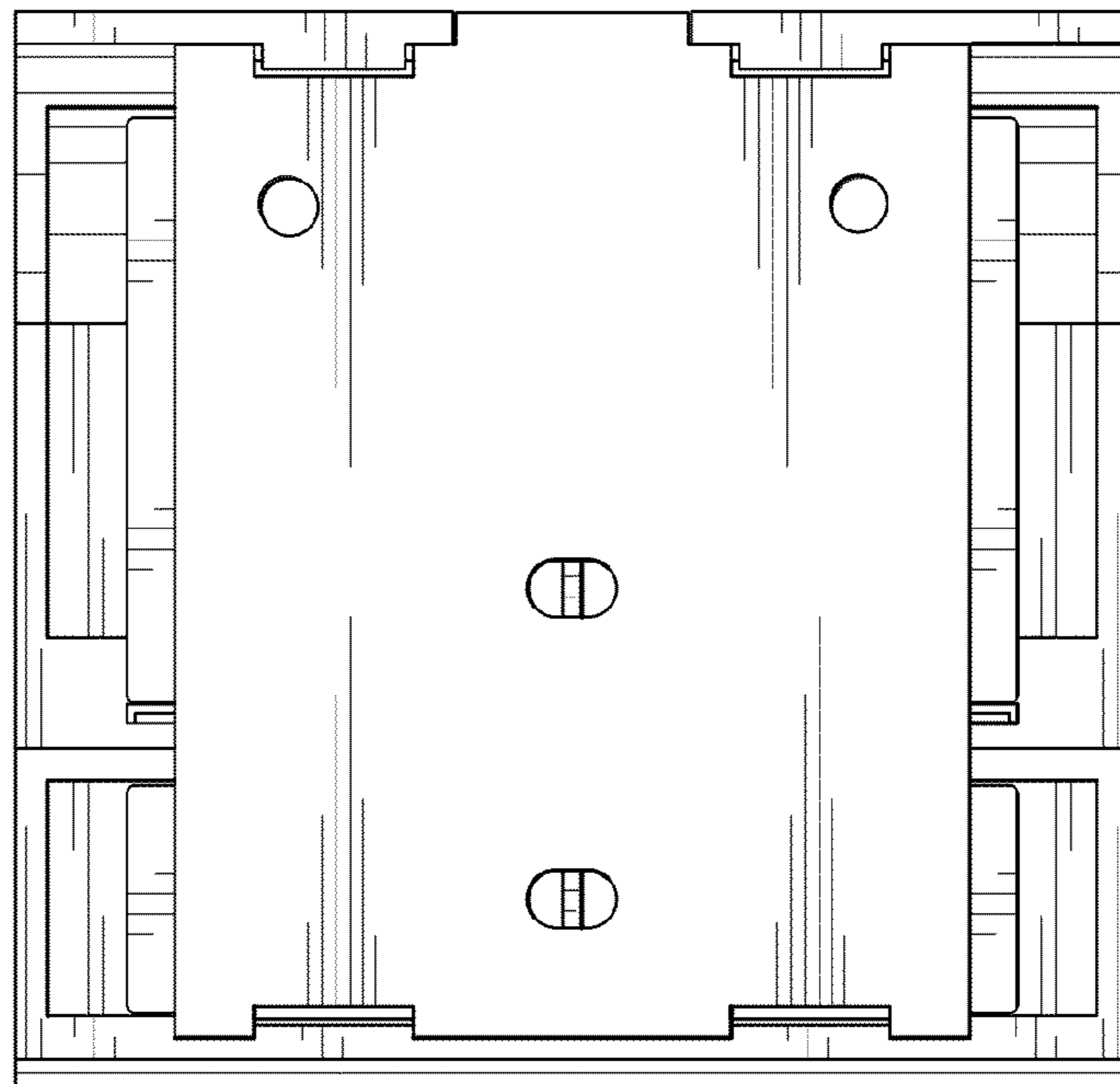


FIG. 4

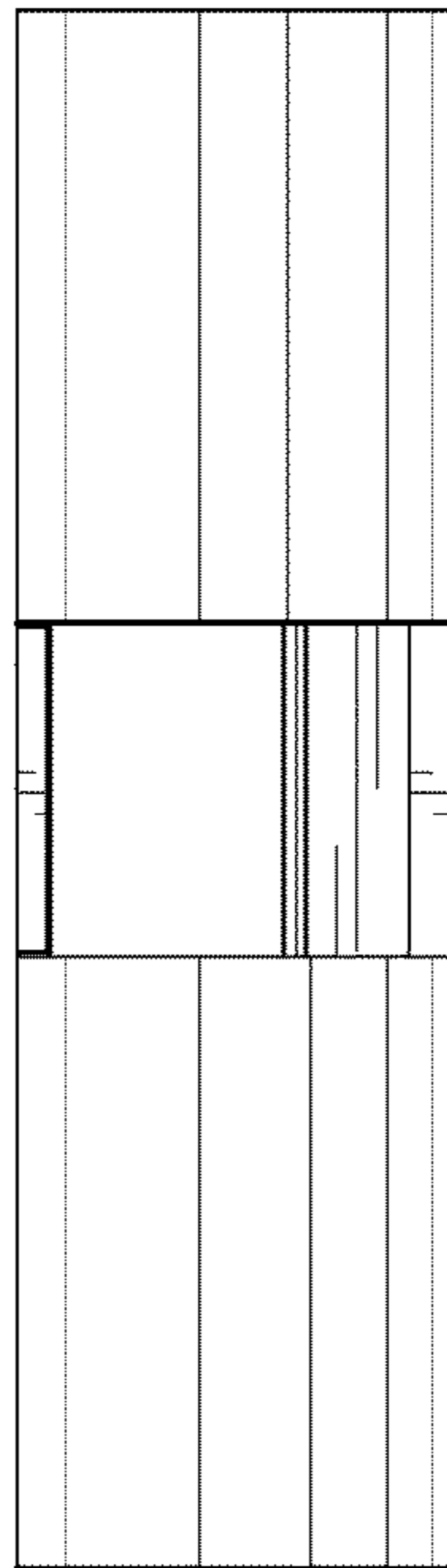


FIG. 5

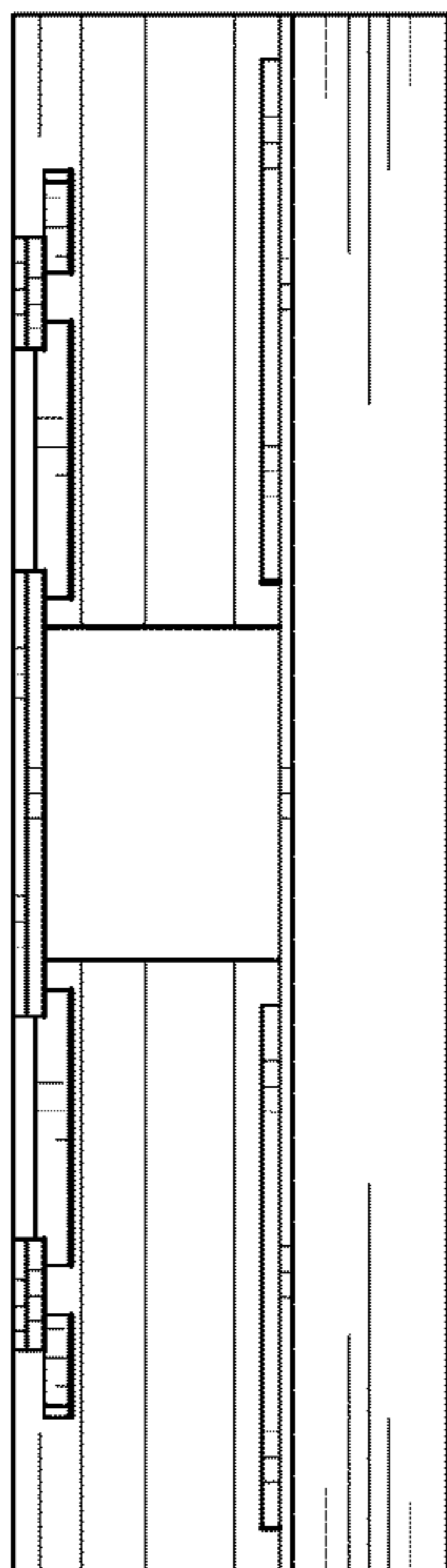


FIG. 6

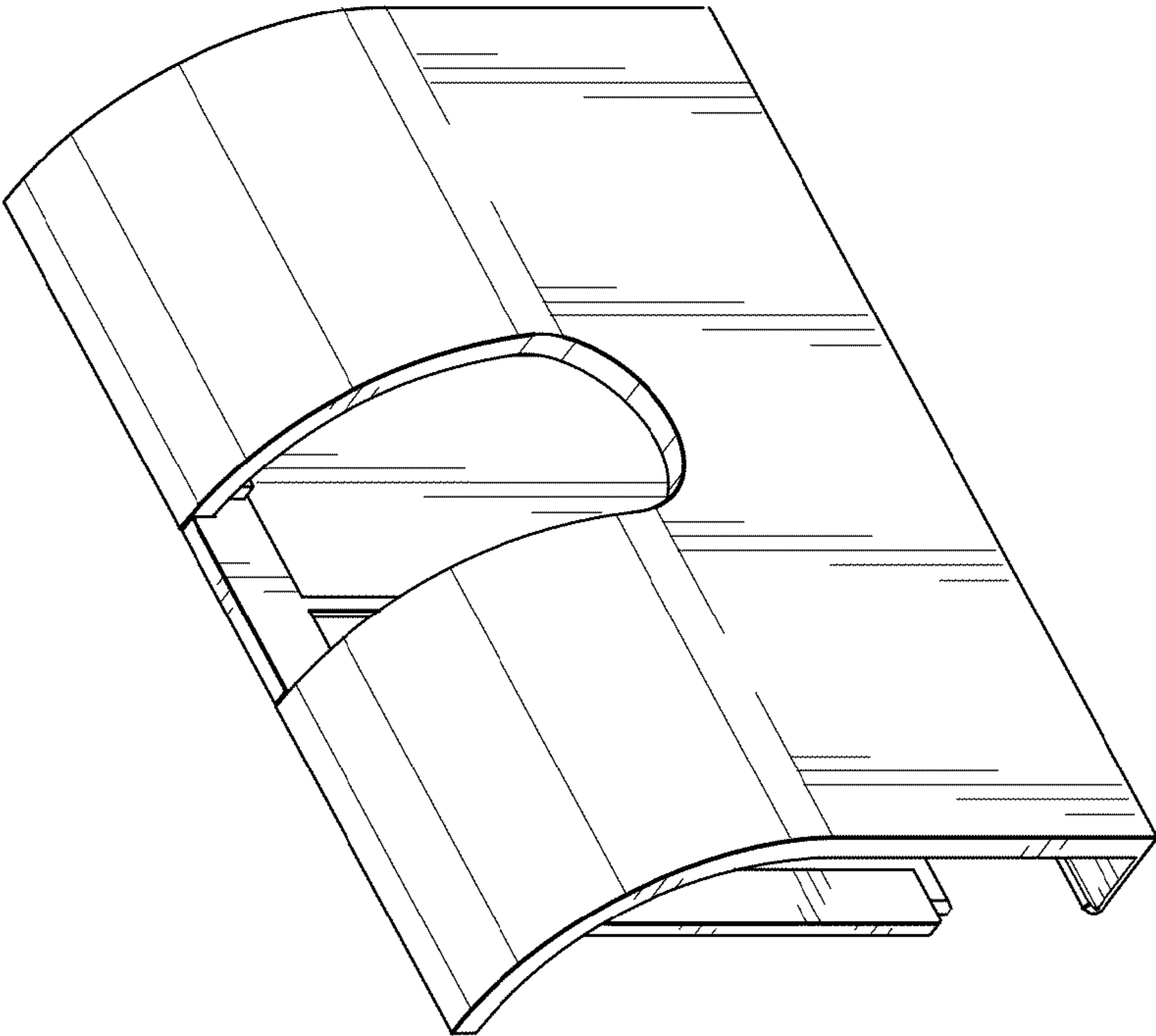


FIG. 7

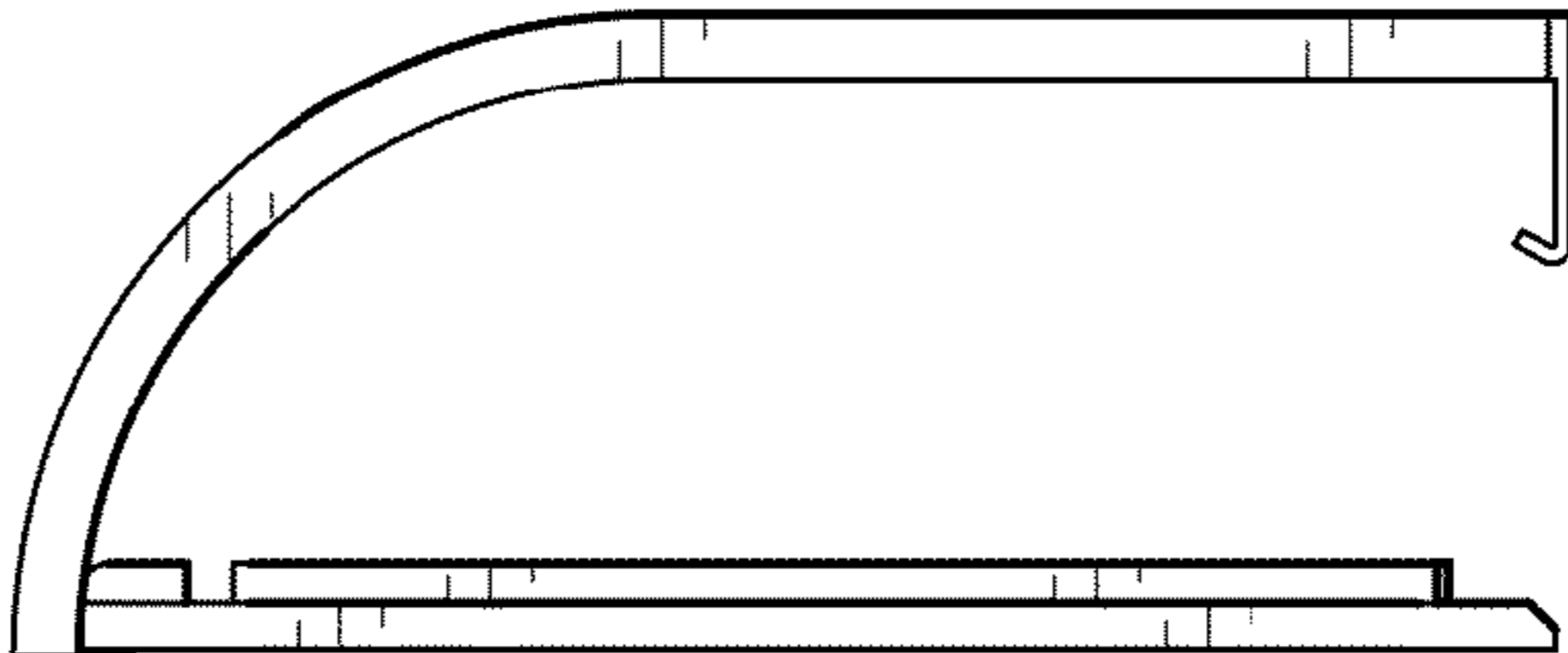


FIG. 8

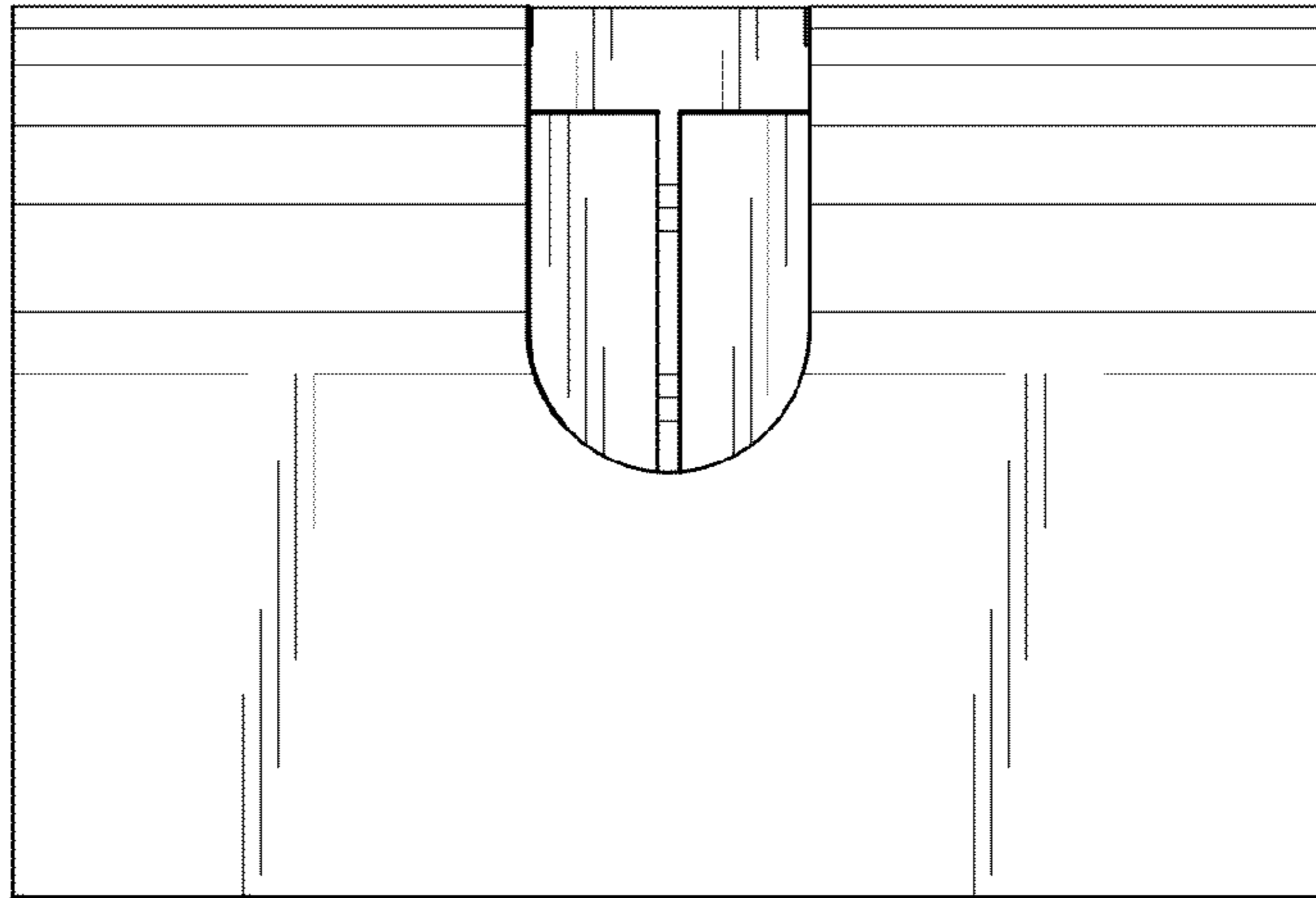


FIG. 9

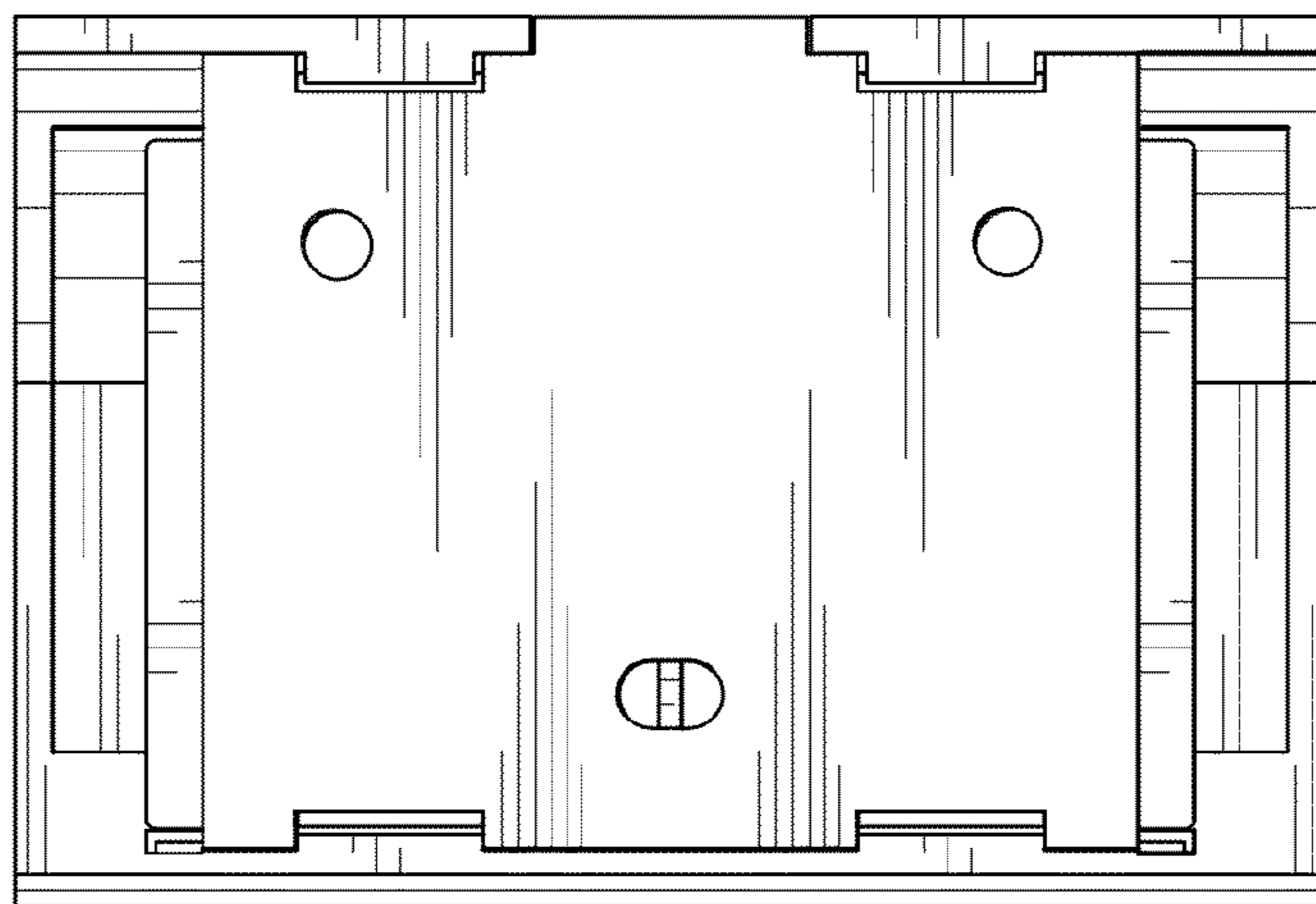


FIG. 10

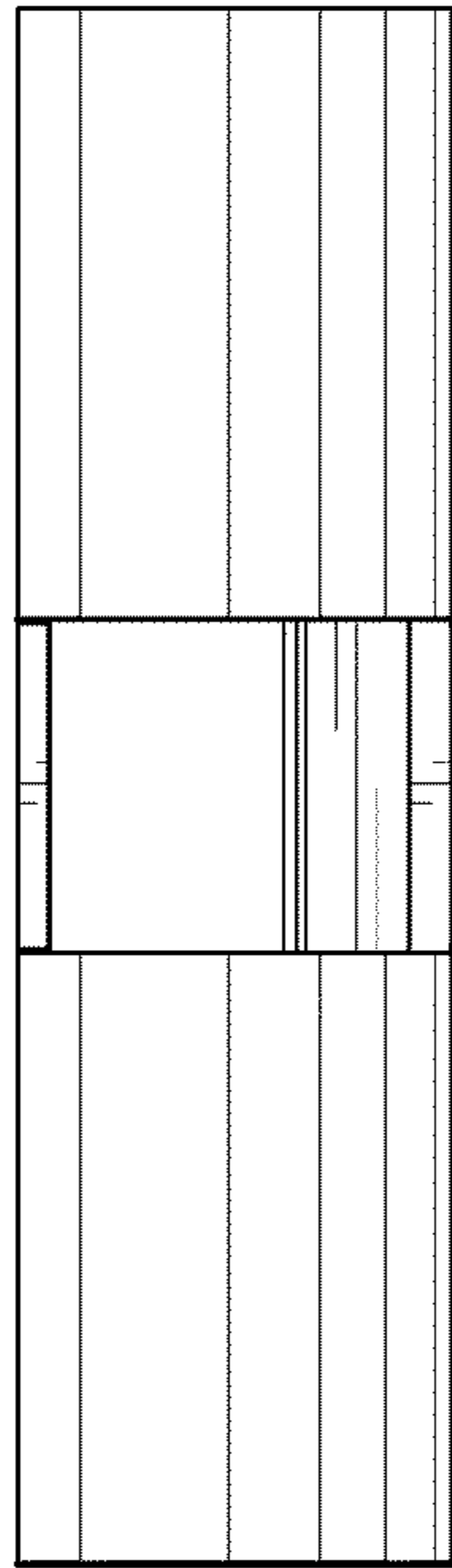


FIG. 11

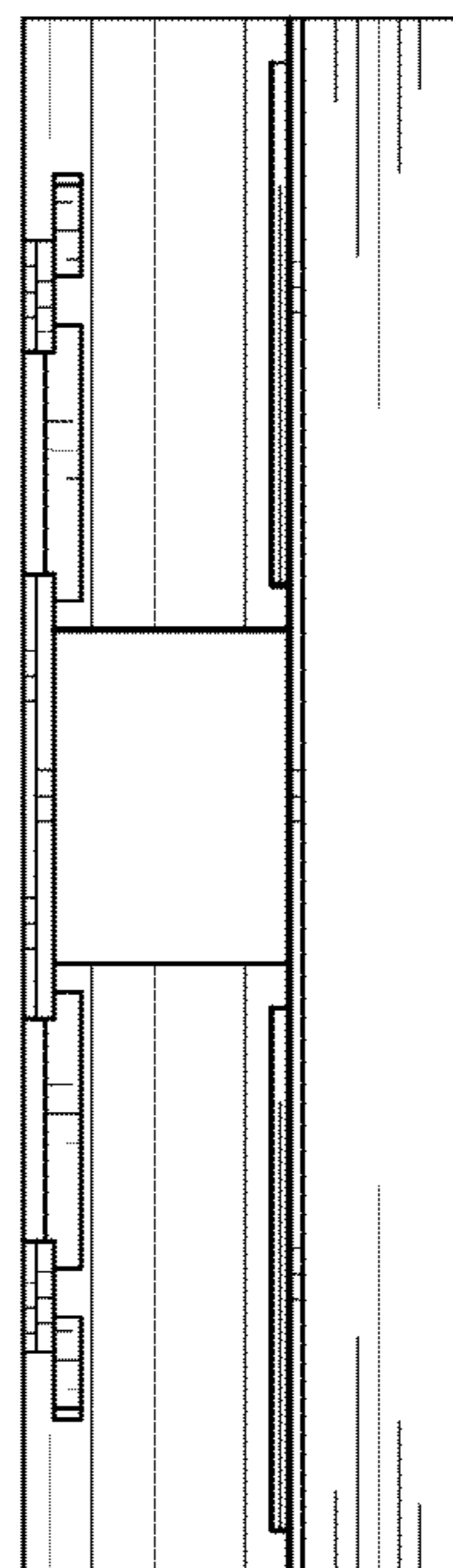


FIG. 12