



US00D716235S

(12) **United States Design Patent**
Tien

(10) **Patent No.:** **US D716,235 S**

(45) **Date of Patent:** **** Oct. 28, 2014**

(54) **ELECTRICAL CONNECTOR**

(71) Applicant: **Hon Hai Precision Industry Co., Ltd.**,
New Taipei (TW)

(72) Inventor: **Li-Wen Tien**, New Taipei (TW)

(73) Assignee: **Hon Hai Precision Industry Co., Ltd.**,
New Taipei (TW)

(**) Term: **14 Years**

(21) Appl. No.: **29/457,364**

(22) Filed: **Jun. 10, 2013**

(30) **Foreign Application Priority Data**

Apr. 2, 2013 (CN) 2013 3 0095144

(51) **LOC (10) Cl.** **13-03**

(52) **U.S. Cl.**
USPC **D13/147**

(58) **Field of Classification Search**
USPC D13/147, 153, 154, 184, 199; 439/79,
439/108, 135, 180, 246, 278, 291, 328, 344,
439/350, 353, 357, 358, 374, 378, 381, 391,
439/489, 509, 527, 529, 530, 533, 587, 594,
439/598, 607.01, 607.04, 607.05, 607.17,
439/607.25, 607.34, 607.41, 607.53, 626,
439/629, 637, 656, 660, 668, 676, 680, 711,
439/745, 752, 892, 894

See application file for complete search history.

(56) **References Cited**

U.S. PATENT DOCUMENTS

D548,700	S	*	8/2007	Ledbetter et al.	D13/154
D636,337	S	*	4/2011	Smith et al.	D13/147
D676,389	S	*	2/2013	Worth et al.	D13/147
D680,076	S	*	4/2013	McManigal	D13/147
D680,077	S	*	4/2013	Richards et al.	D13/147
D692,390	S	*	10/2013	Smith et al.	D13/153
D705,175	S	*	5/2014	Chu	D13/147

* cited by examiner

Primary Examiner — Daniel Bui

(74) *Attorney, Agent, or Firm* — Novak Druce Connolly
Bove + Quigg LLP

(57) **CLAIM**

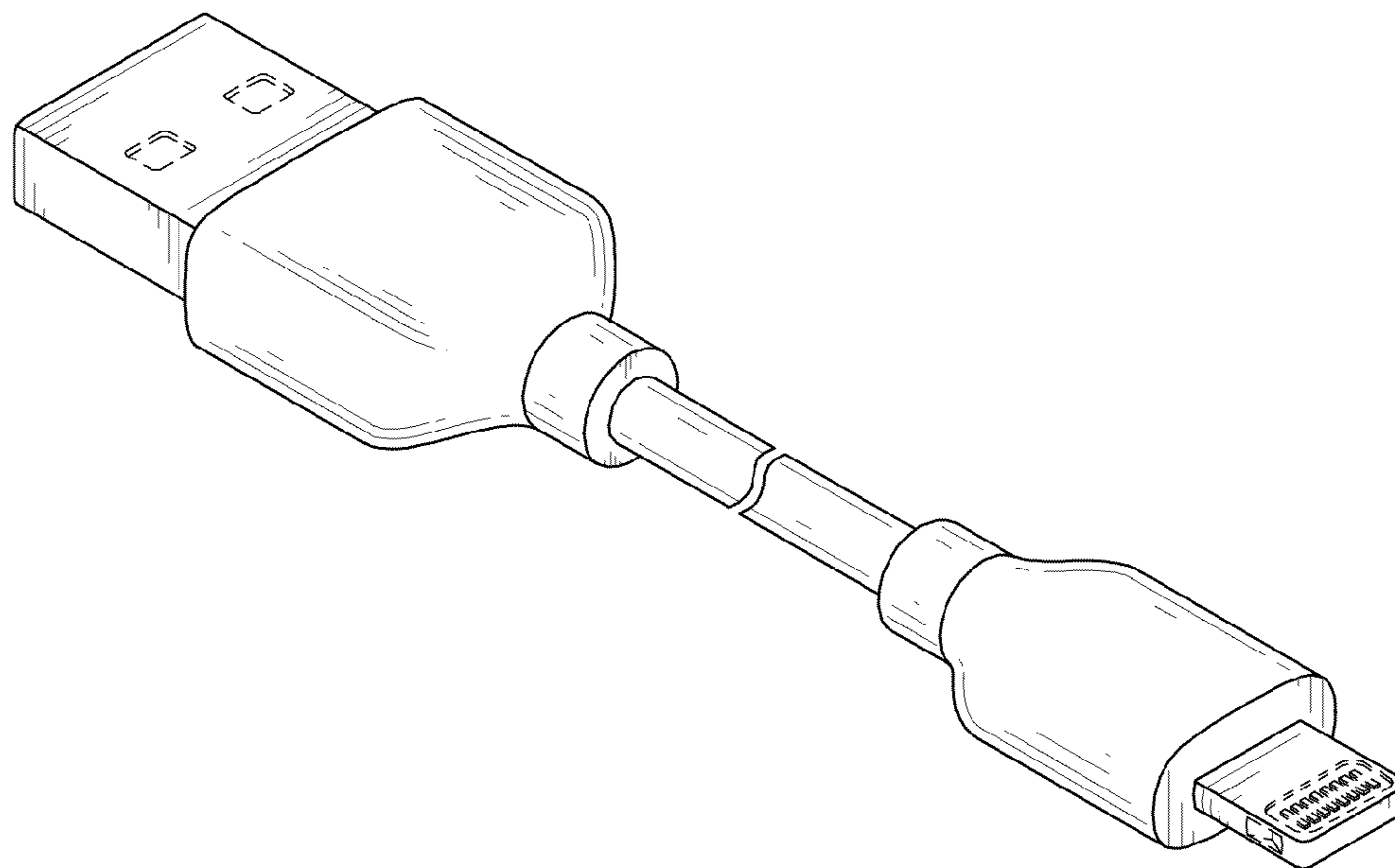
The ornamental design for an electrical connector, as shown
and described.

DESCRIPTION

FIG. 1 is a front, top and right side perspective view of an
electrical connector showing my new design;
FIG. 2 is a front, bottom and right side perspective view of the
top portion thereof;
FIG. 3 is a front elevation view thereof;
FIG. 4 is a rear elevation view thereof;
FIG. 5 is a left side elevation view thereof;
FIG. 6 is a right side elevation view thereof;
FIG. 7 is a bottom plan view thereof; and,
FIG. 8 is a top plan view thereof.

The broken line in the drawing is for the purpose of illustrat-
ing environment only and forms no part of the claimed design.

1 Claim, 8 Drawing Sheets



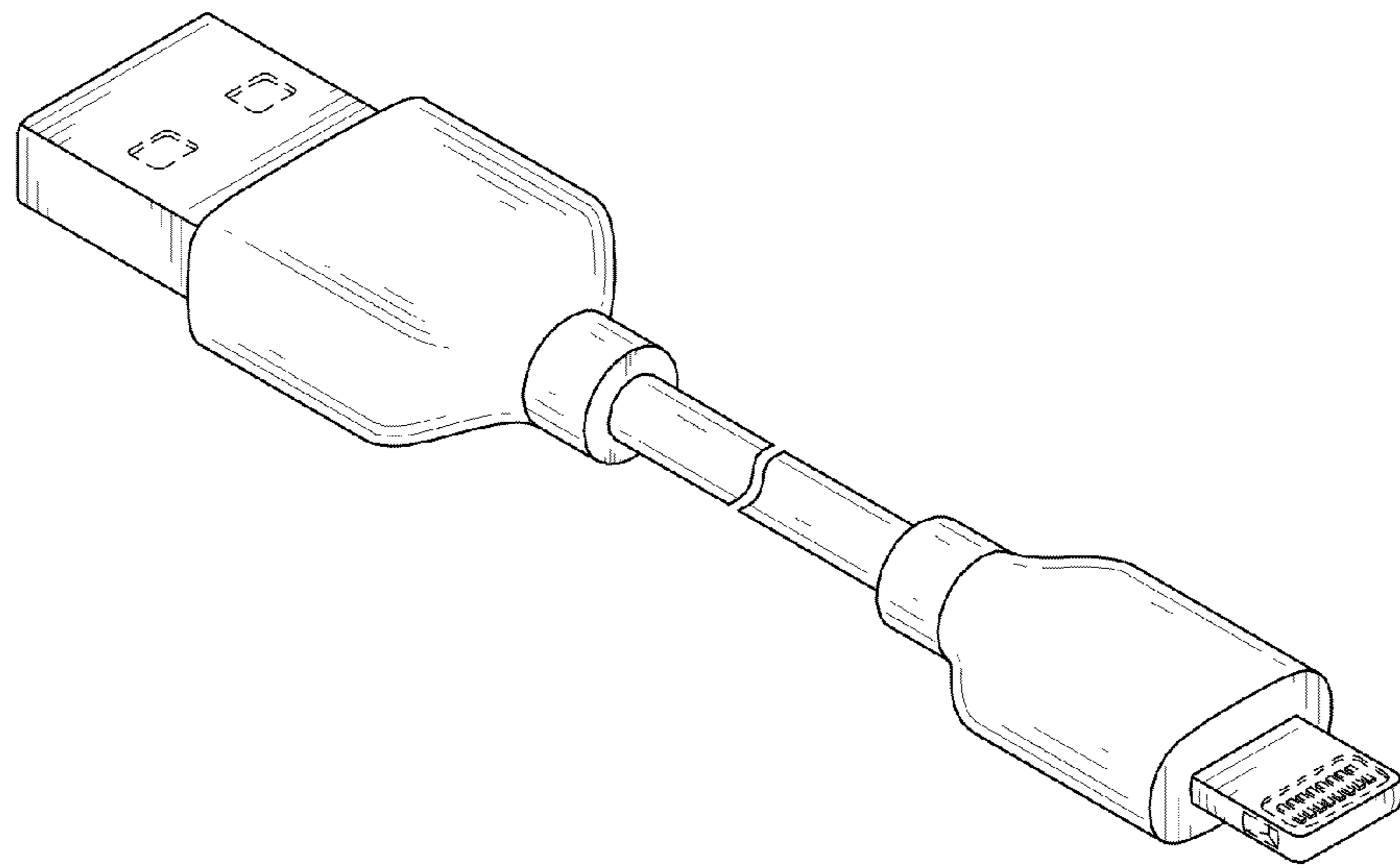


FIG. 1

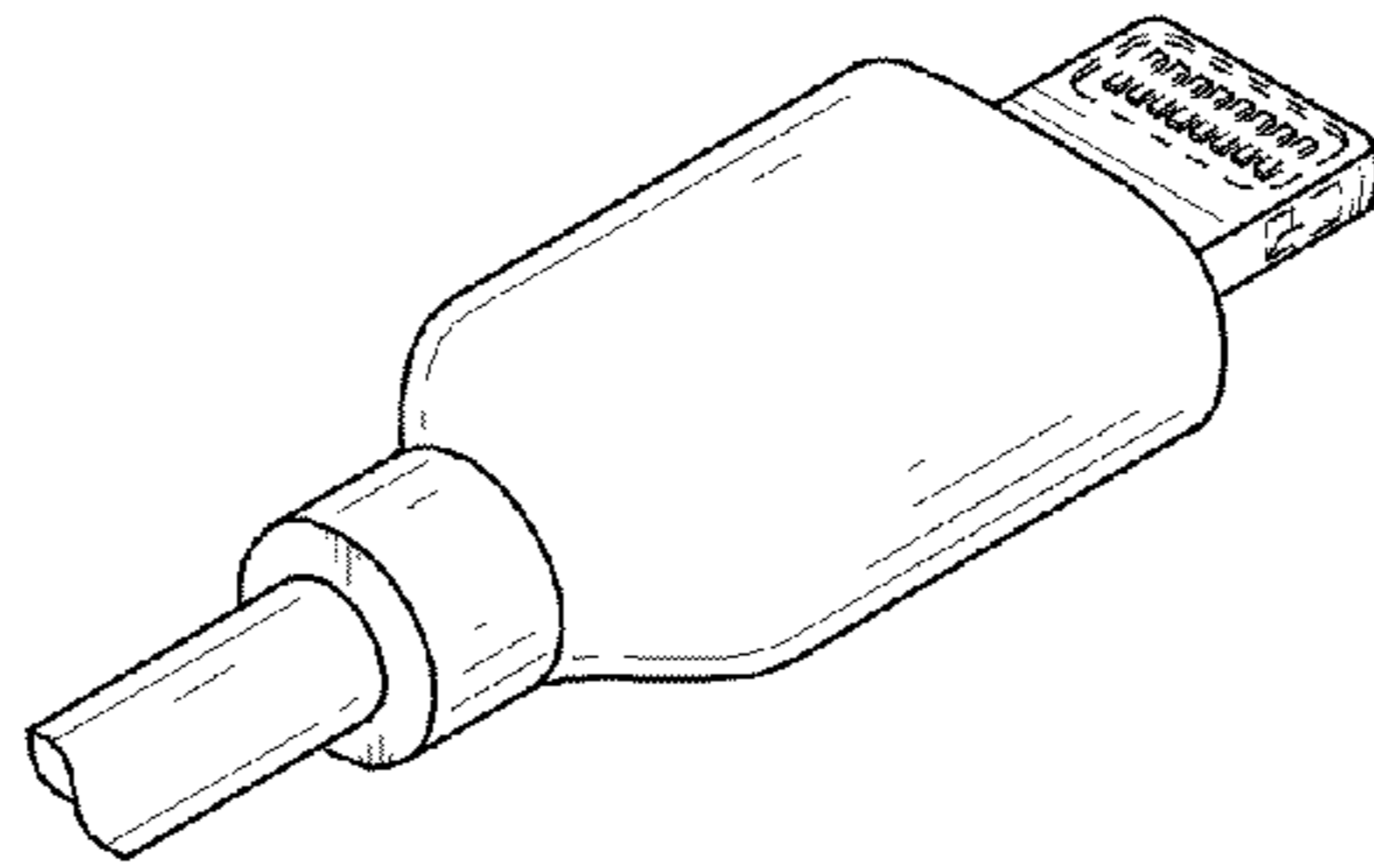


FIG. 2

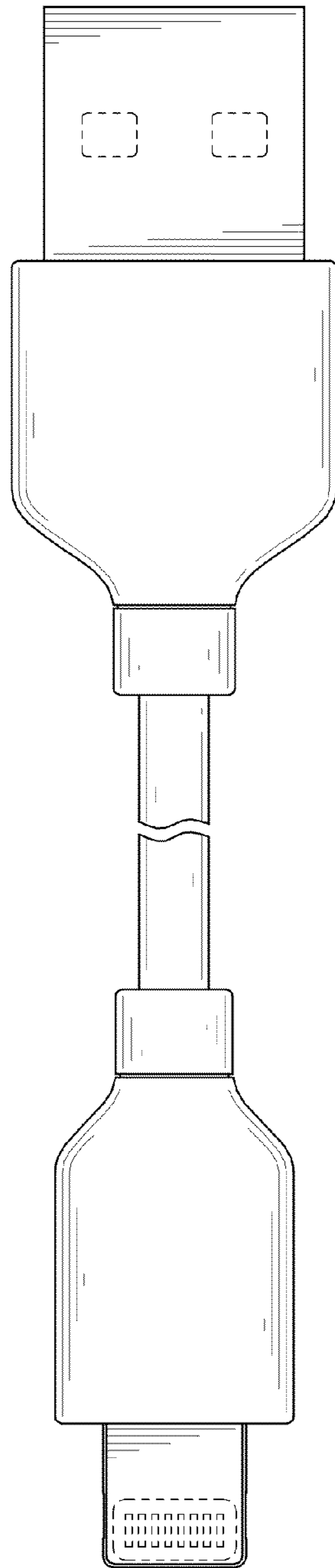


FIG. 3

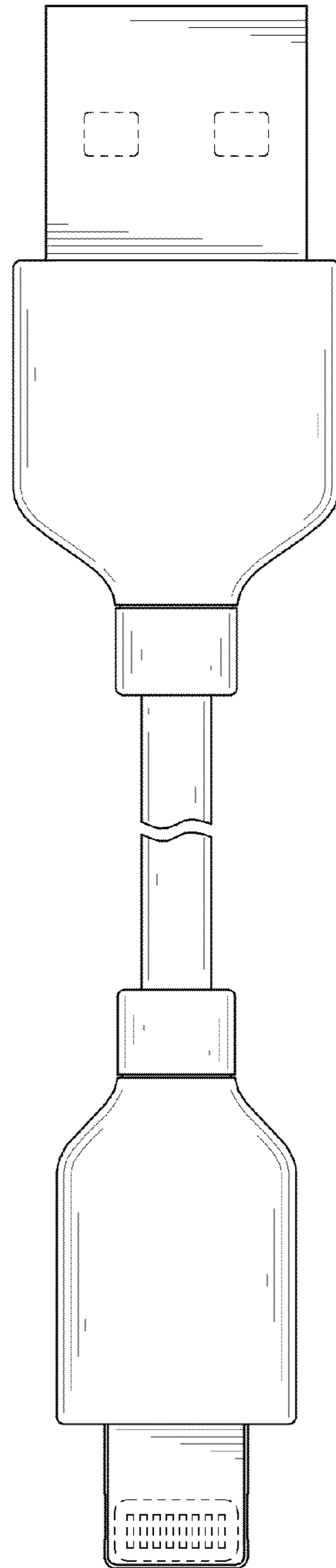


FIG. 4

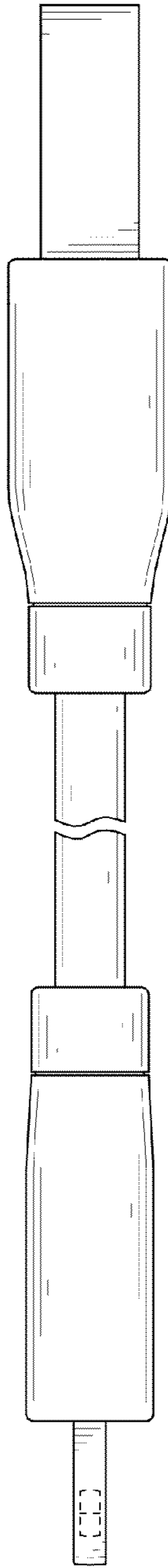


FIG. 5

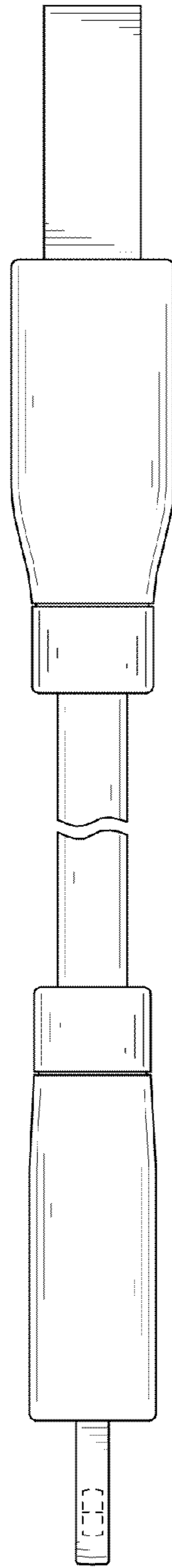


FIG. 6

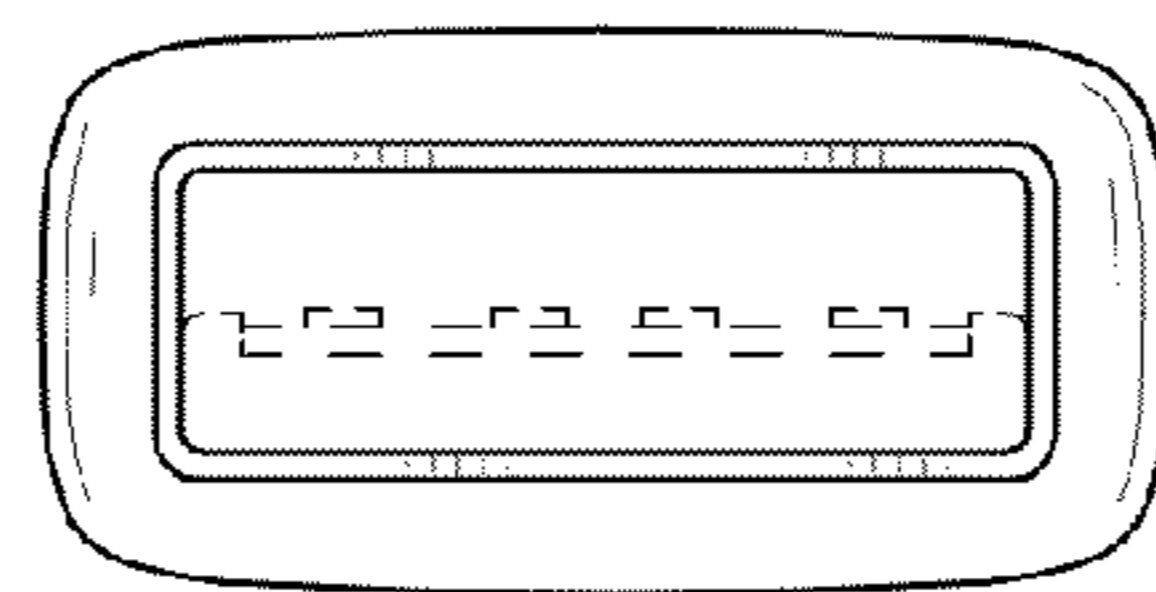


FIG. 7

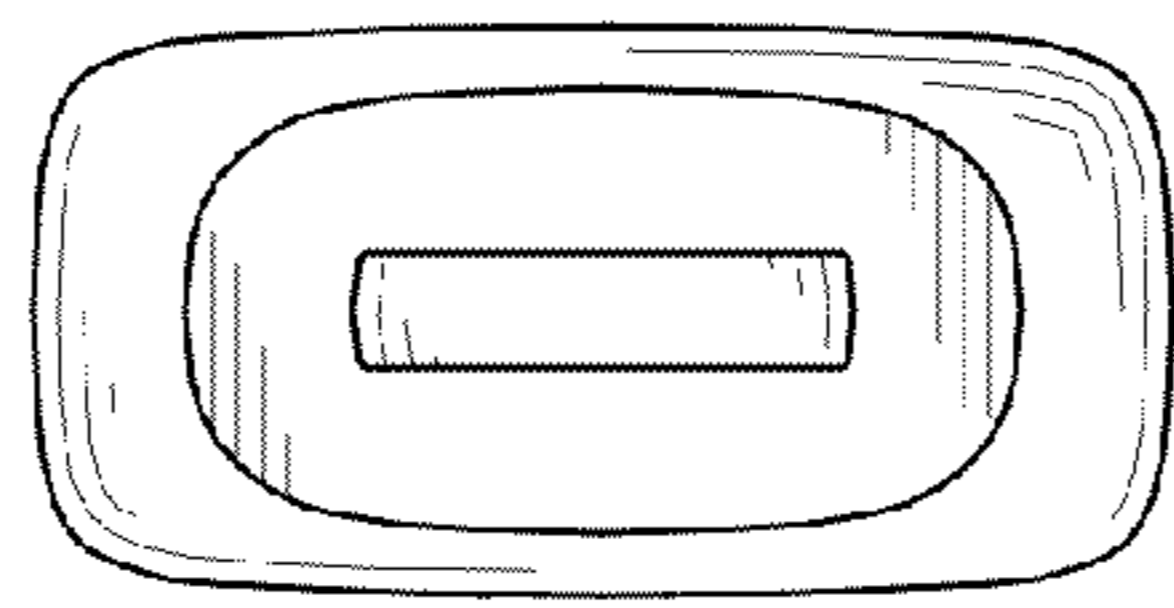


FIG. 8