



US00D716234S

(12) **United States Design Patent**  
**Tien**

(10) **Patent No.:** **US D716,234 S**

(45) **Date of Patent:** **\*\* Oct. 28, 2014**

(54) **ELECTRICAL ADAPTER**

(56) **References Cited**

(71) Applicant: **Hon Hai Precision Industry Co., Ltd.**,  
New Taipei (TW)

U.S. PATENT DOCUMENTS

(72) Inventor: **Li-Wen Tien**, New Taipei (TW)

D454,542	S	*	3/2002	Nakashima et al.	.....	D13/146
D515,581	S	*	2/2006	Landau	.....	D14/432
D619,963	S	*	7/2010	Hou	.....	D13/133
D680,069	S	*	4/2013	Symons	.....	D13/108
D684,539	S	*	6/2013	Akana et al.	.....	D13/147
D703,145	S	*	4/2014	Akana et al.	.....	D13/147
D705,175	S	*	5/2014	Chu	.....	D13/147
2013/0089291	A1	*	4/2013	Jol et al.	.....	385/77
2014/0073183	A1	*	3/2014	Golko et al.	.....	439/607.34

(73) Assignee: **Hon Hai Precision Industry Co., Ltd.**,  
New Taipei (TW)

(\*\*) Term: **14 Years**

\* cited by examiner

(21) Appl. No.: **29/457,363**

*Primary Examiner* — Daniel Bui

(22) Filed: **Jun. 10, 2013**

(74) *Attorney, Agent, or Firm* — Novak Druce Connolly  
Bove + Quigg LLP

(30) **Foreign Application Priority Data**

(57) **CLAIM**

The ornamental design for an electrical adapter, as shown and described.

Apr. 3, 2013 (CN) ..... 2013 3 0986587

**DESCRIPTION**

(51) **LOC (10) Cl.** ..... **13-03**

(52) **U.S. Cl.**  
USPC ..... **D13/147**

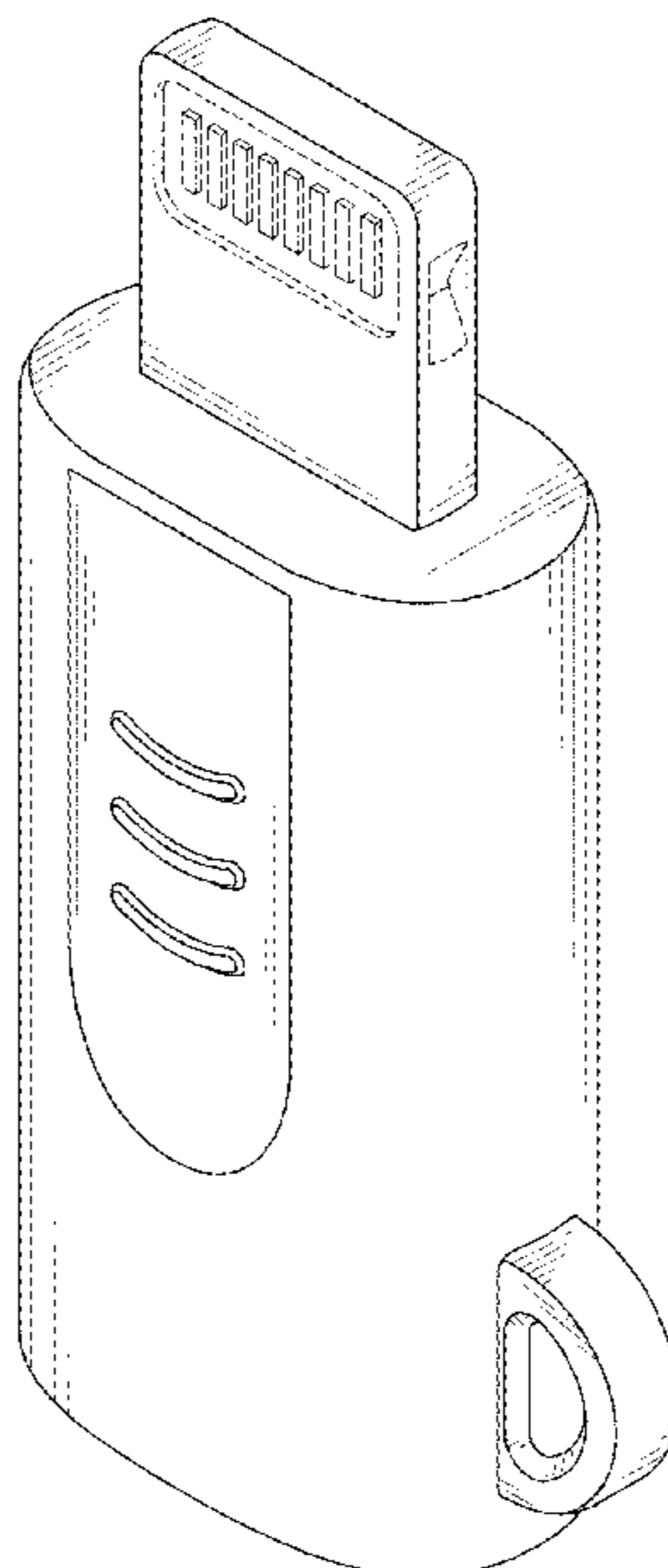
(58) **Field of Classification Search**  
USPC ..... D13/147, 153, 154, 184, 199; 439/79,  
439/108, 135, 180, 246, 278, 291, 328, 344,  
439/350, 353, 357, 358, 374, 378, 381, 391,  
439/489, 509, 527, 529, 530, 533, 587, 594,  
439/598, 607.01, 607.04, 607.05, 607.17,  
439/607.25, 607.34, 607.41, 607.53, 626,  
439/629, 637, 656, 660, 668, 676, 680, 711,  
439/745, 752, 892, 894

FIG. 1 is a perspective view of an electrical adapter showing my new design;  
FIG. 2 is a front elevational view thereof;  
FIG. 3 is a rear elevational view thereof;  
FIG. 4 is a left side elevational view thereof;  
FIG. 5 is a right side elevational view thereof;  
FIG. 6 is a top plan view thereof; and,  
FIG. 7 is a bottom plan view thereof.

The broken lines of all the figures are for the purpose of illustrating environment and form no part of the claimed design.

See application file for complete search history.

**1 Claim, 7 Drawing Sheets**



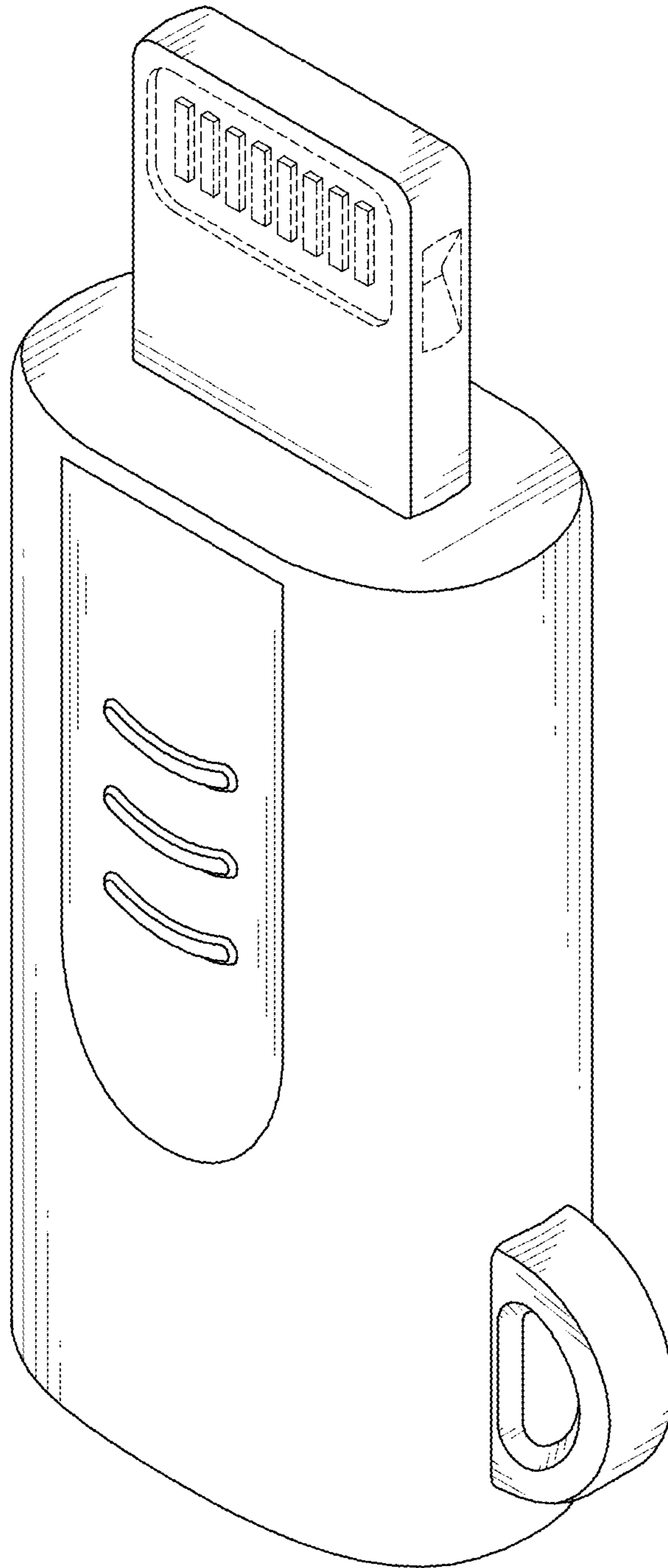


FIG. 1

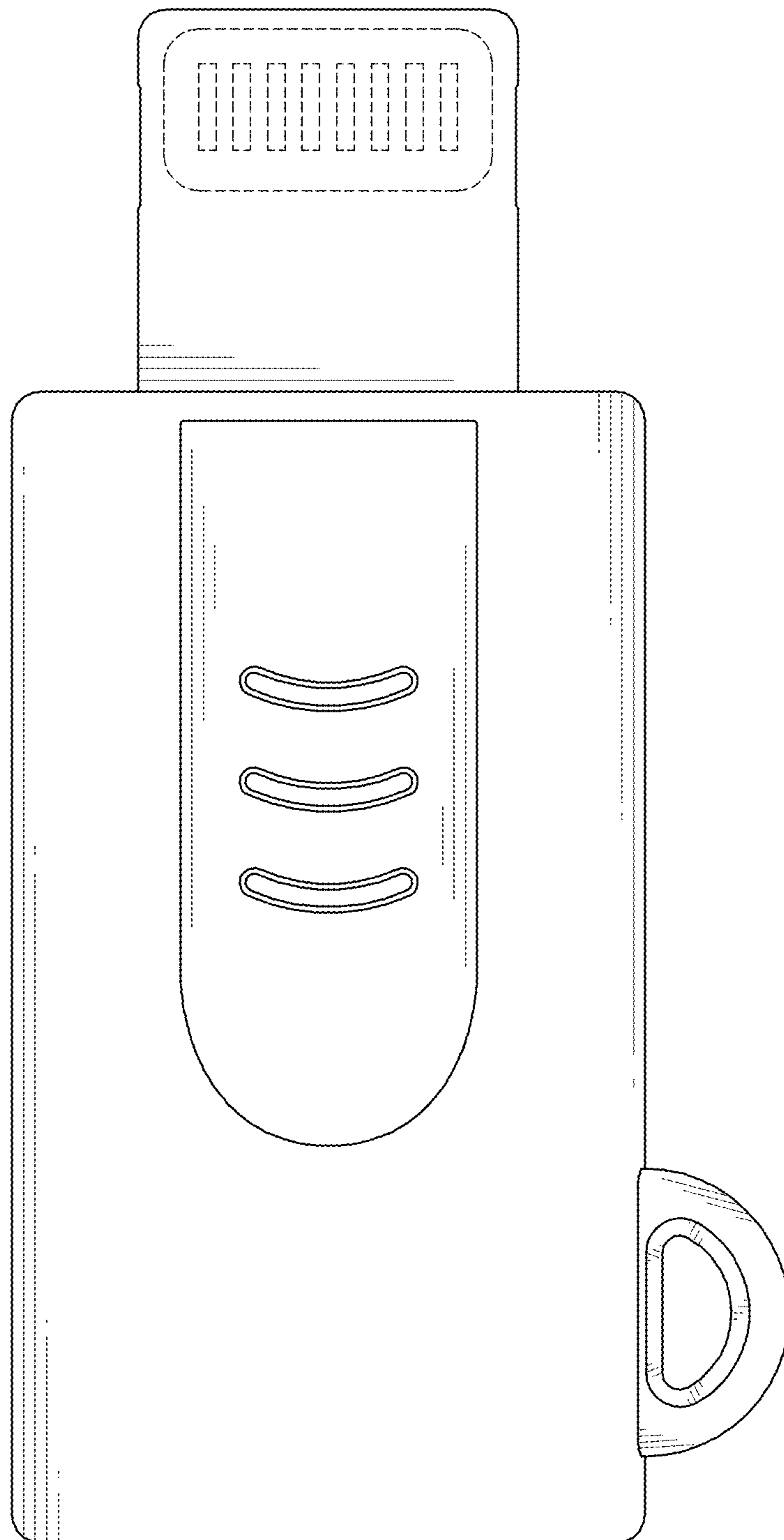


FIG. 2

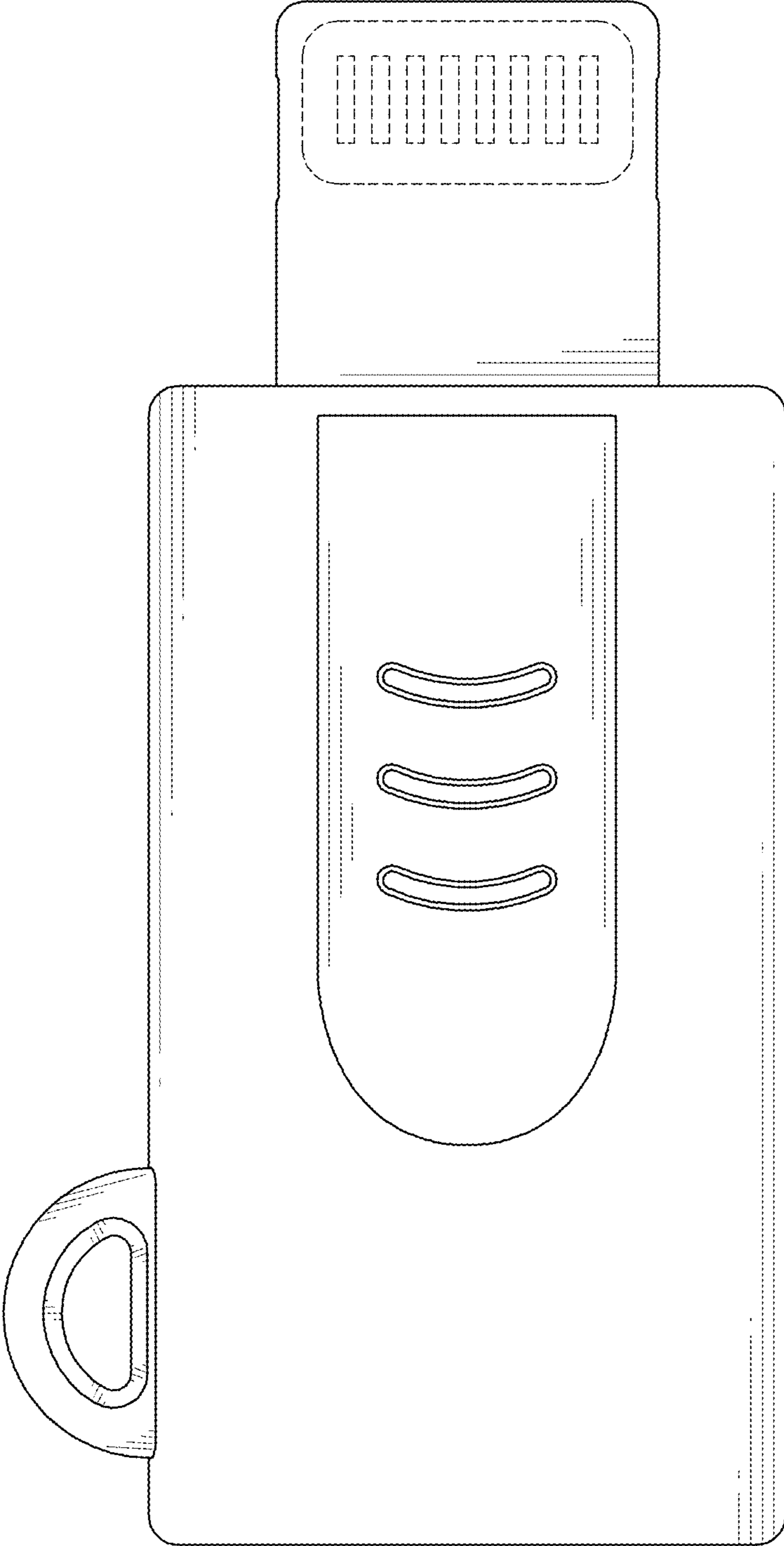


FIG. 3

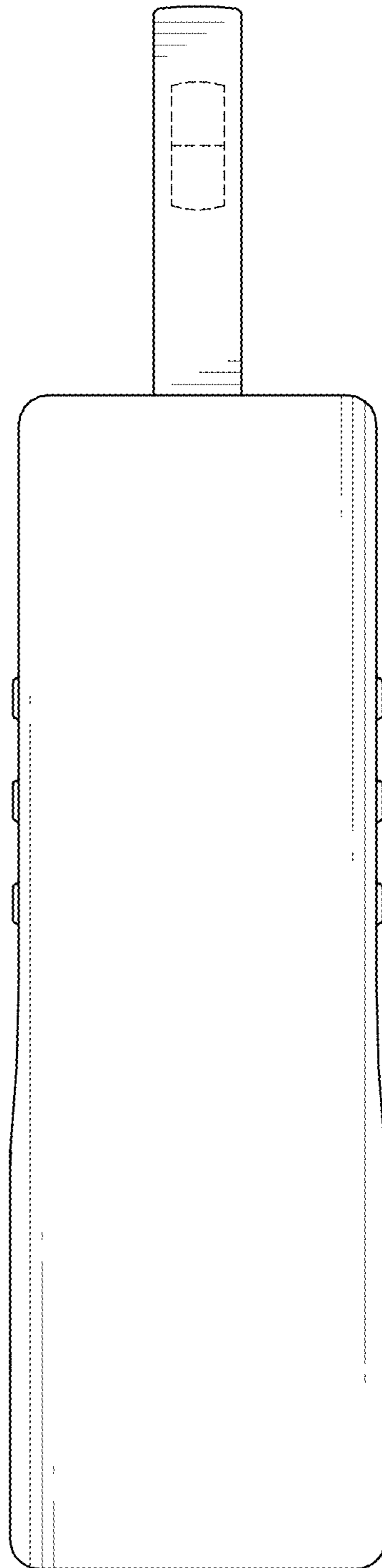


FIG. 4

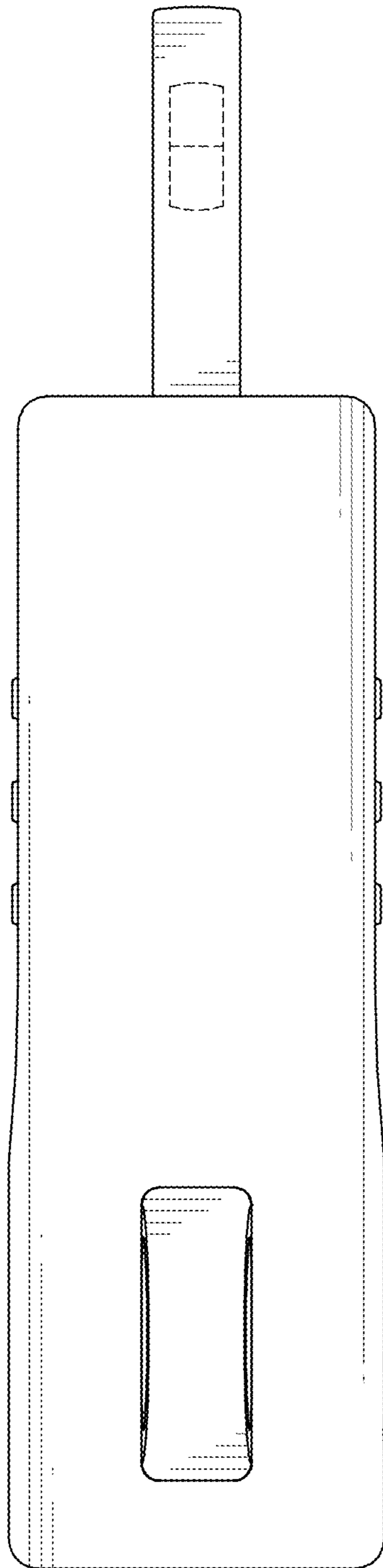


FIG. 5

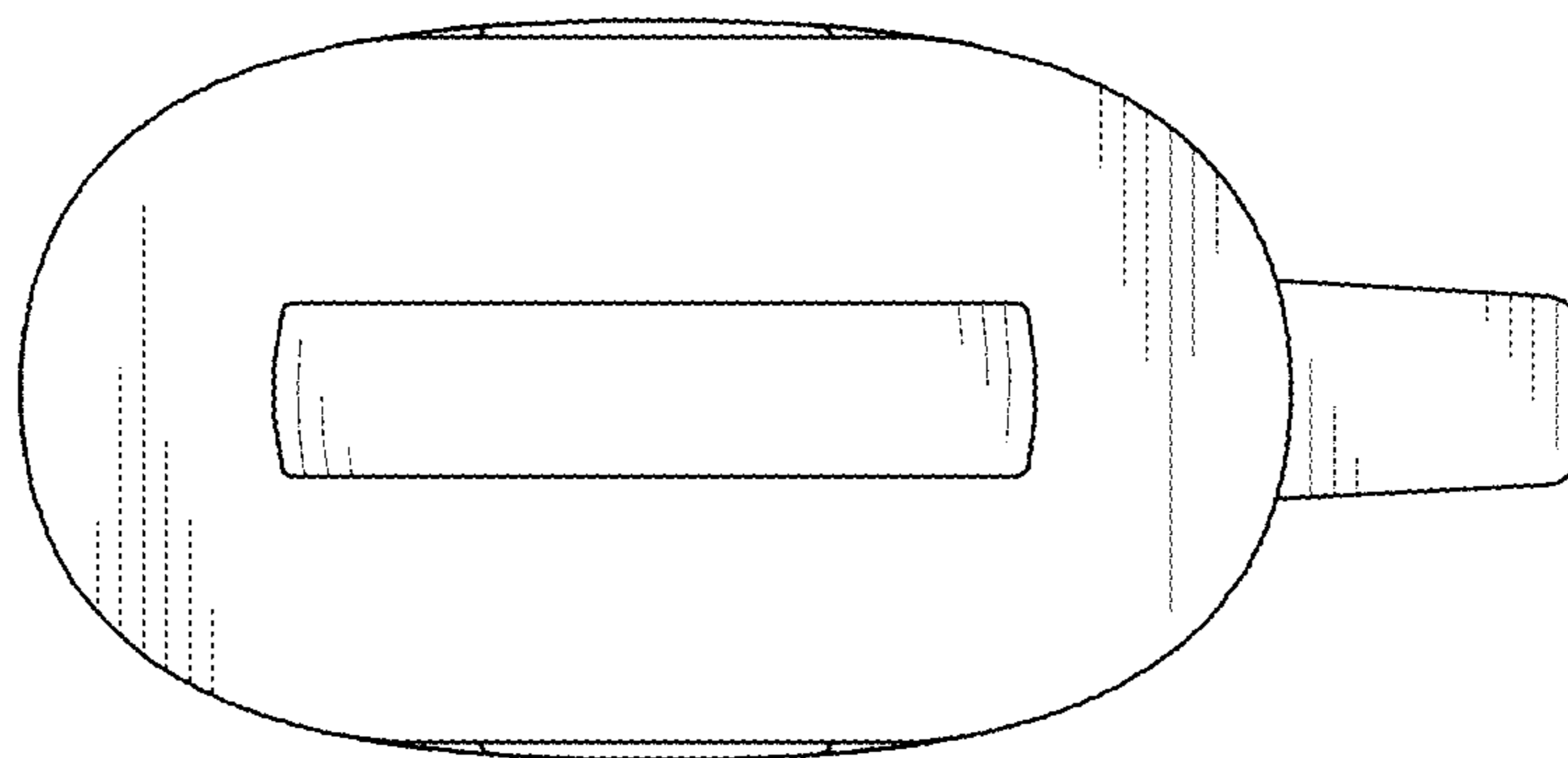


FIG. 6

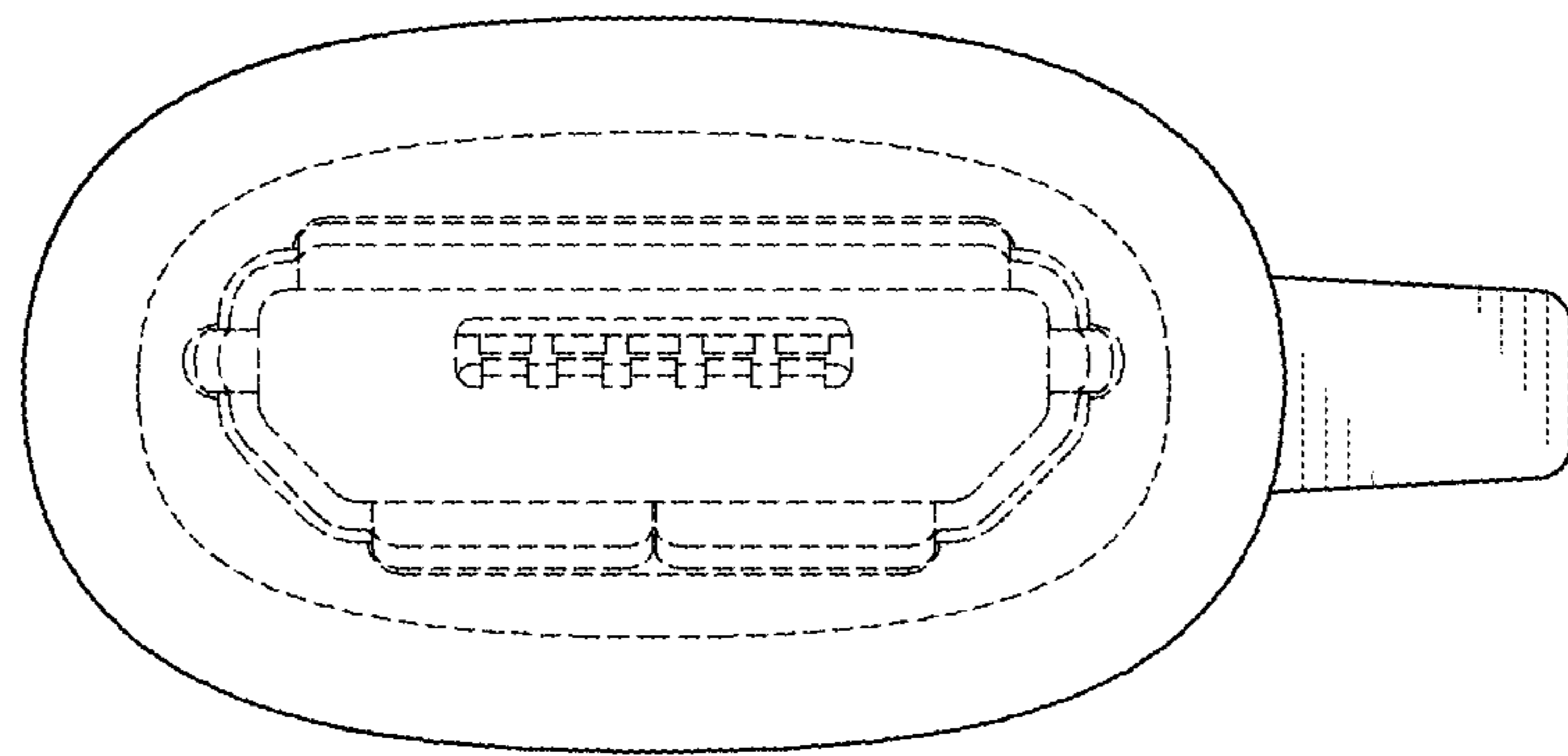


FIG. 7