



US00D716233S

(12) **United States Design Patent**  
**Lai**

(10) **Patent No.:** **US D716,233 S**

(45) **Date of Patent:** **\*\* Oct. 28, 2014**

(54) **CABLE CONNECTOR**

(71) Applicant: **Chung Kwang Electric Wire and Cable Co., Ltd., Taichung (TW)**

(72) Inventor: **Chung-Kwang Lai, Taichung (TW)**

(73) Assignee: **Chung Kwang Electric Wire and Cable Co., Ltd., Taichung (TW)**

(\*\*) Term: **14 Years**

(21) Appl. No.: **29/479,968**

(22) Filed: **Jan. 22, 2014**

(51) **LOC (10) Cl.** ..... **13-03**

(52) **U.S. Cl.**  
USPC ..... **D13/146**

(58) **Field of Classification Search**  
USPC ..... D13/107-109, 118-119, 133, 146, 147,  
D13/154, 184, 199; 320/104, 107-115,  
320/FOR. 104, FOR. 119, DIG. 35  
See application file for complete search history.

(56) **References Cited**

**U.S. PATENT DOCUMENTS**

D634,709 S \* 3/2011 Ichio ..... D13/119  
D636,334 S \* 4/2011 Kato et al. .... D13/119

D663,692 S \* 7/2012 Sebald et al. .... D13/146  
D667,378 S \* 9/2012 Yamamoto ..... D13/146  
D667,793 S \* 9/2012 Yamamoto ..... D13/133  
D669,033 S \* 10/2012 Senk et al. .... D13/146  
D690,271 S \* 9/2013 Riddle et al. .... D13/147  
D697,869 S \* 1/2014 Yamamoto et al. .... D13/146  
D700,143 S \* 2/2014 Ichio et al. .... D13/146

\* cited by examiner

*Primary Examiner* — Daniel Bui

(74) *Attorney, Agent, or Firm* — Banger Shia

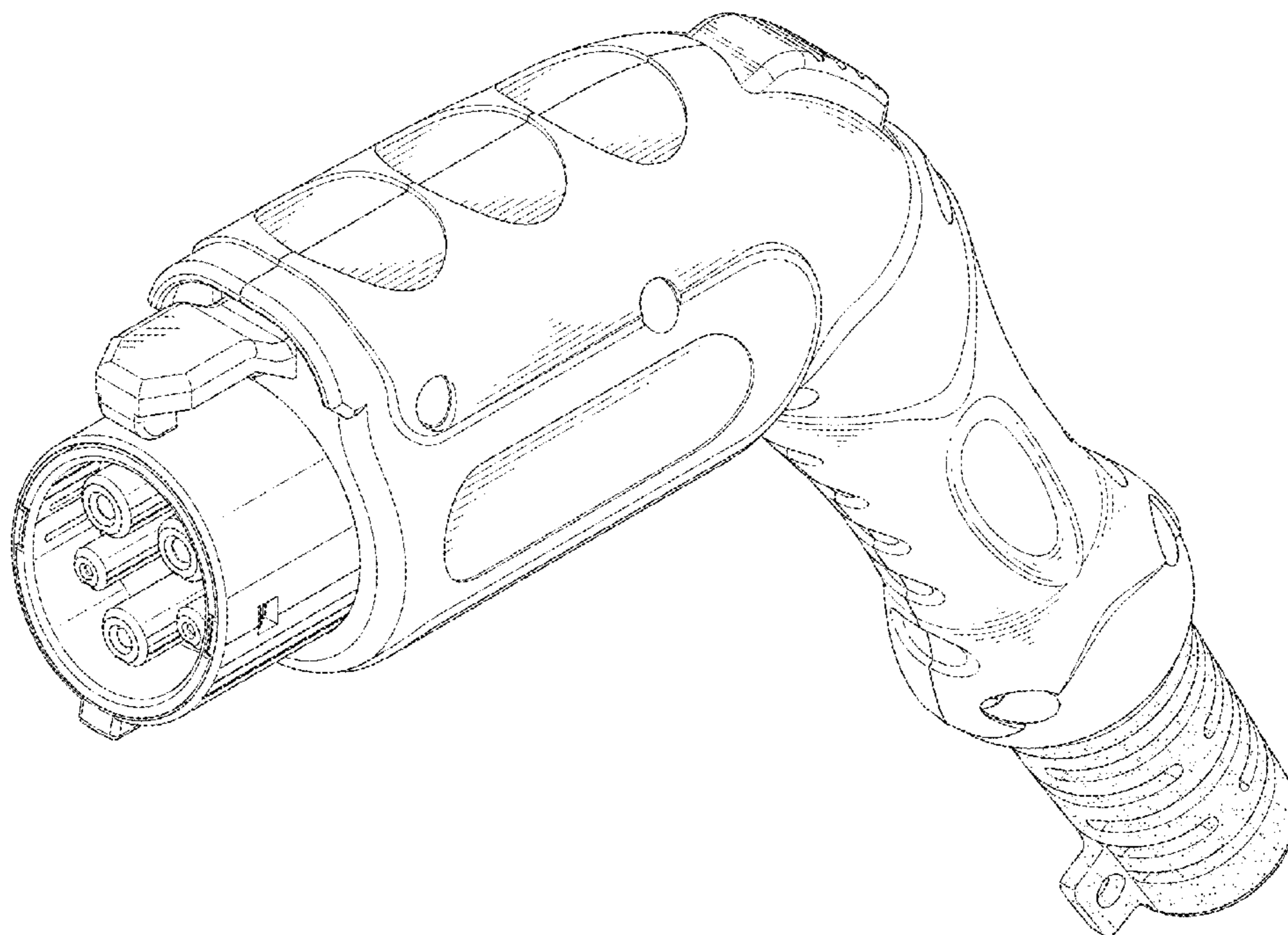
(57) **CLAIM**

The ornamental design for a cable connector, as shown and described.

**DESCRIPTION**

FIG. 1 is a perspective view of a cable connector showing my new design;  
FIG. 2 is a front elevational view thereof;  
FIG. 3 is a rear elevational view thereof;  
FIG. 4 is a top plan view thereof;  
FIG. 5 is a bottom plan view thereof;  
FIG. 6 is a left side elevational view thereof; and,  
FIG. 7 is a right side elevational view thereof.

**1 Claim, 5 Drawing Sheets**



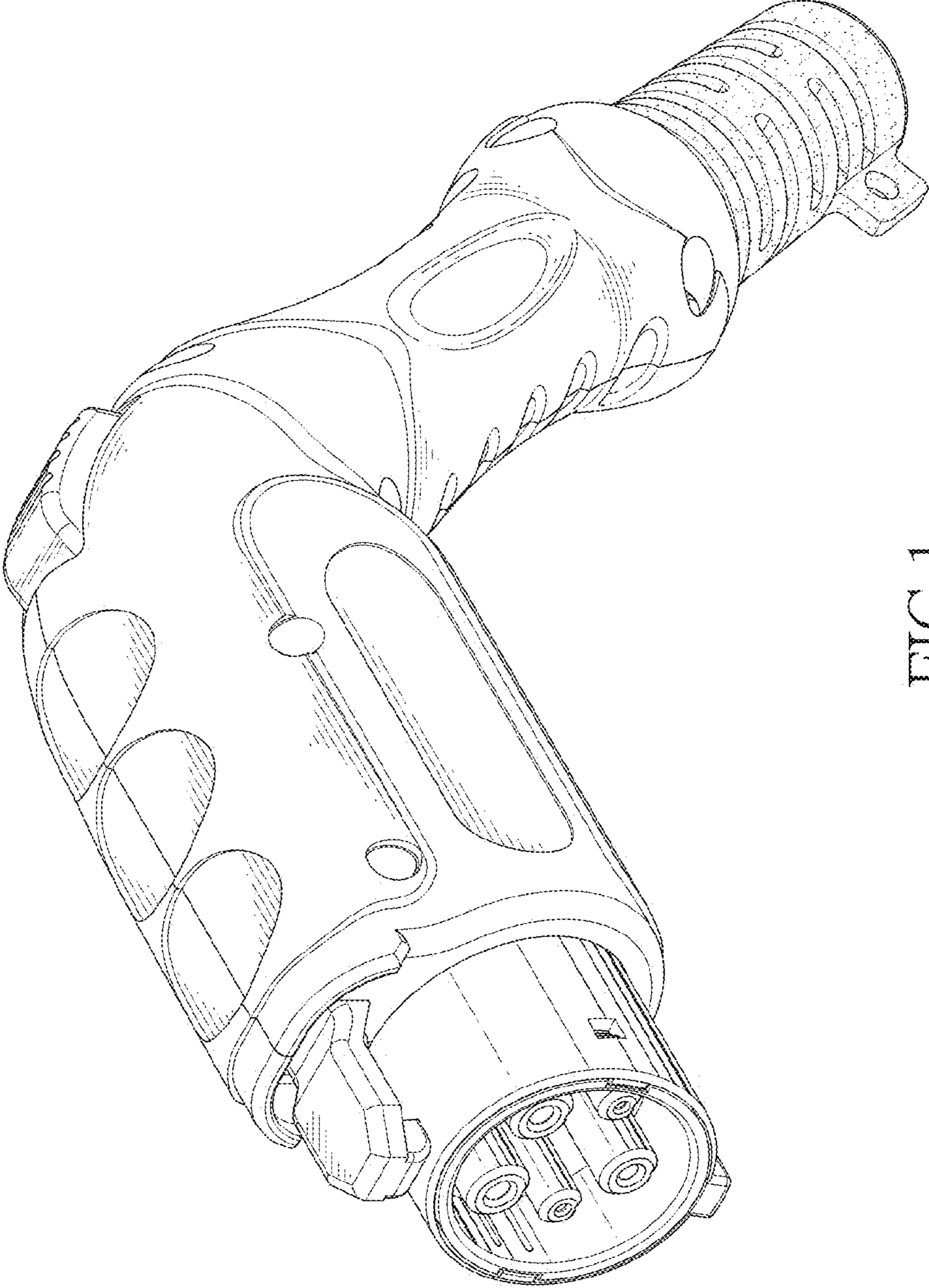


FIG. 1

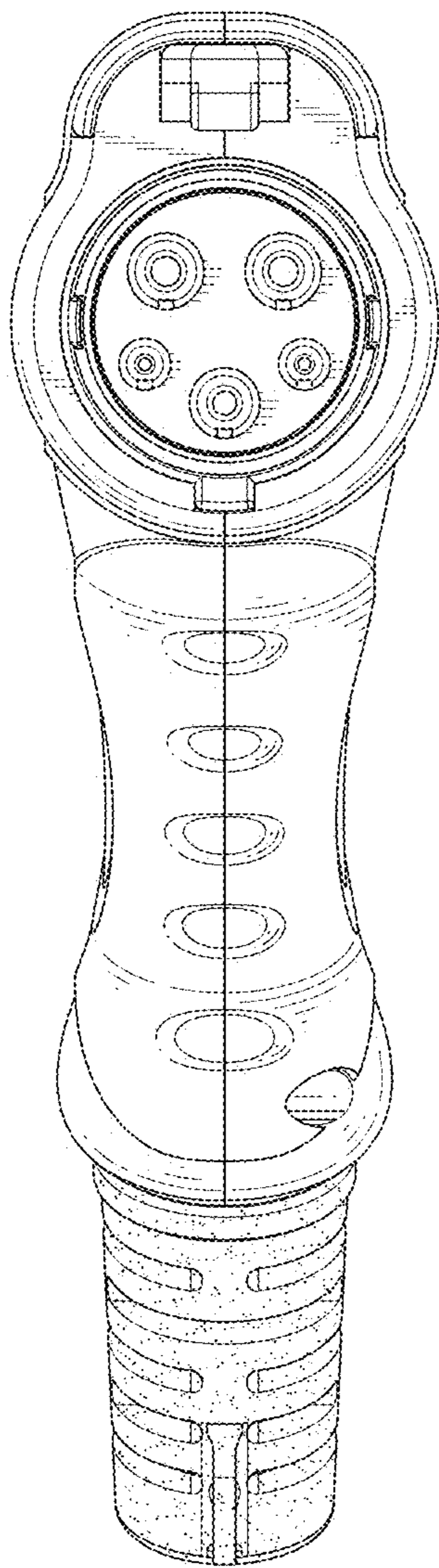


FIG. 2

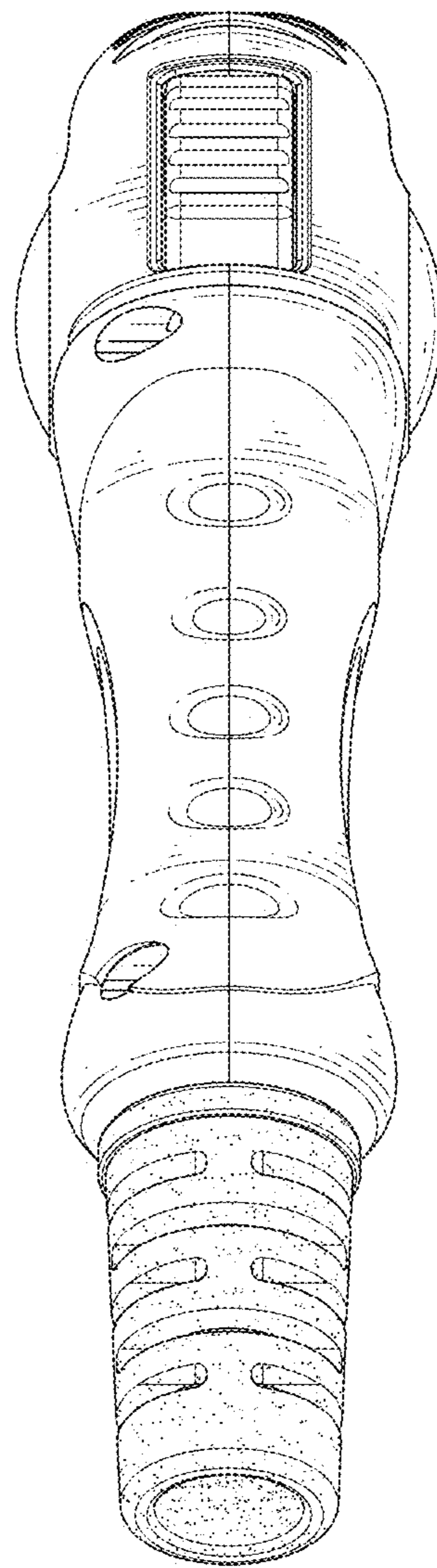


FIG. 3

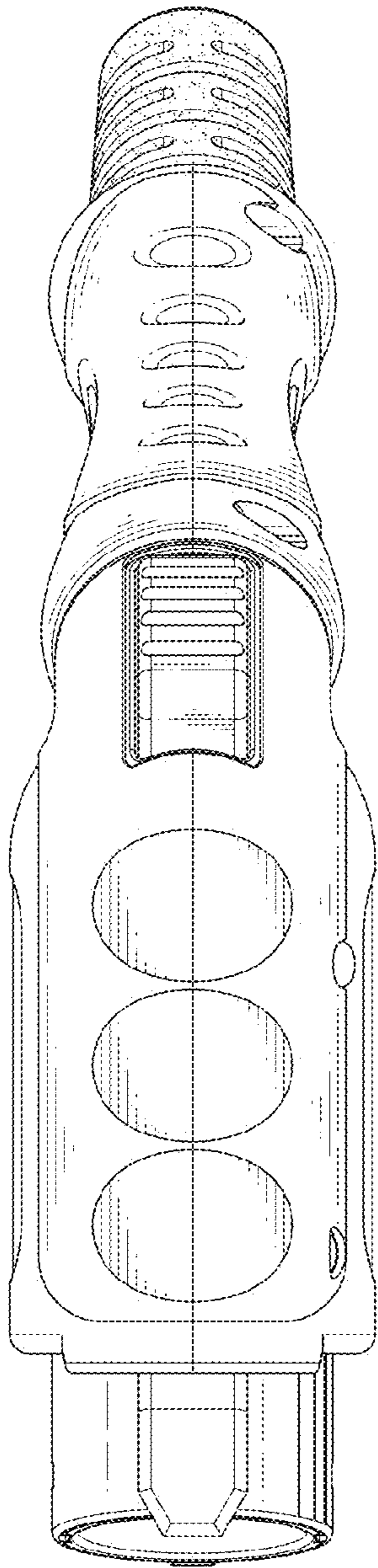


FIG.4

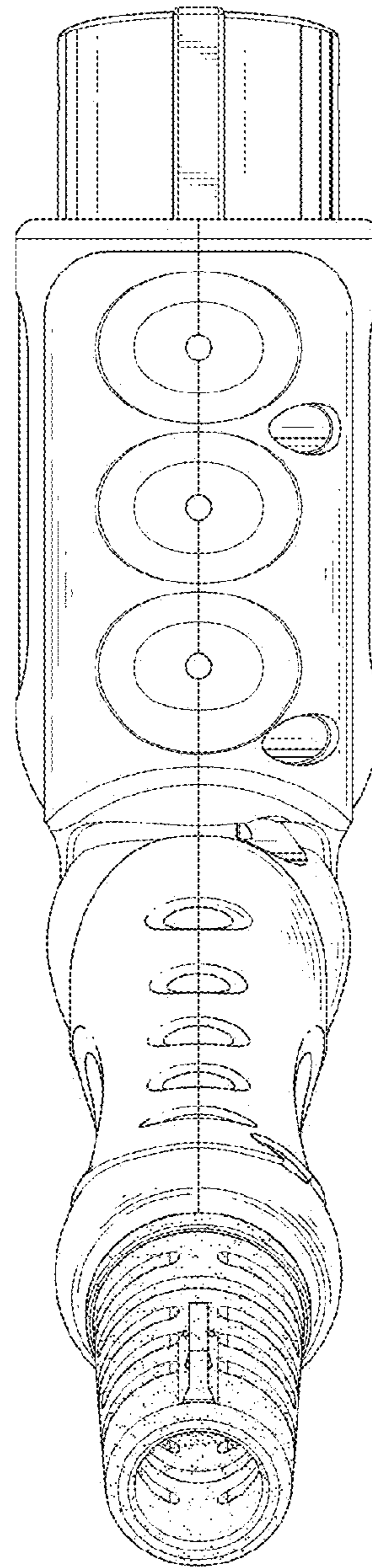


FIG.5

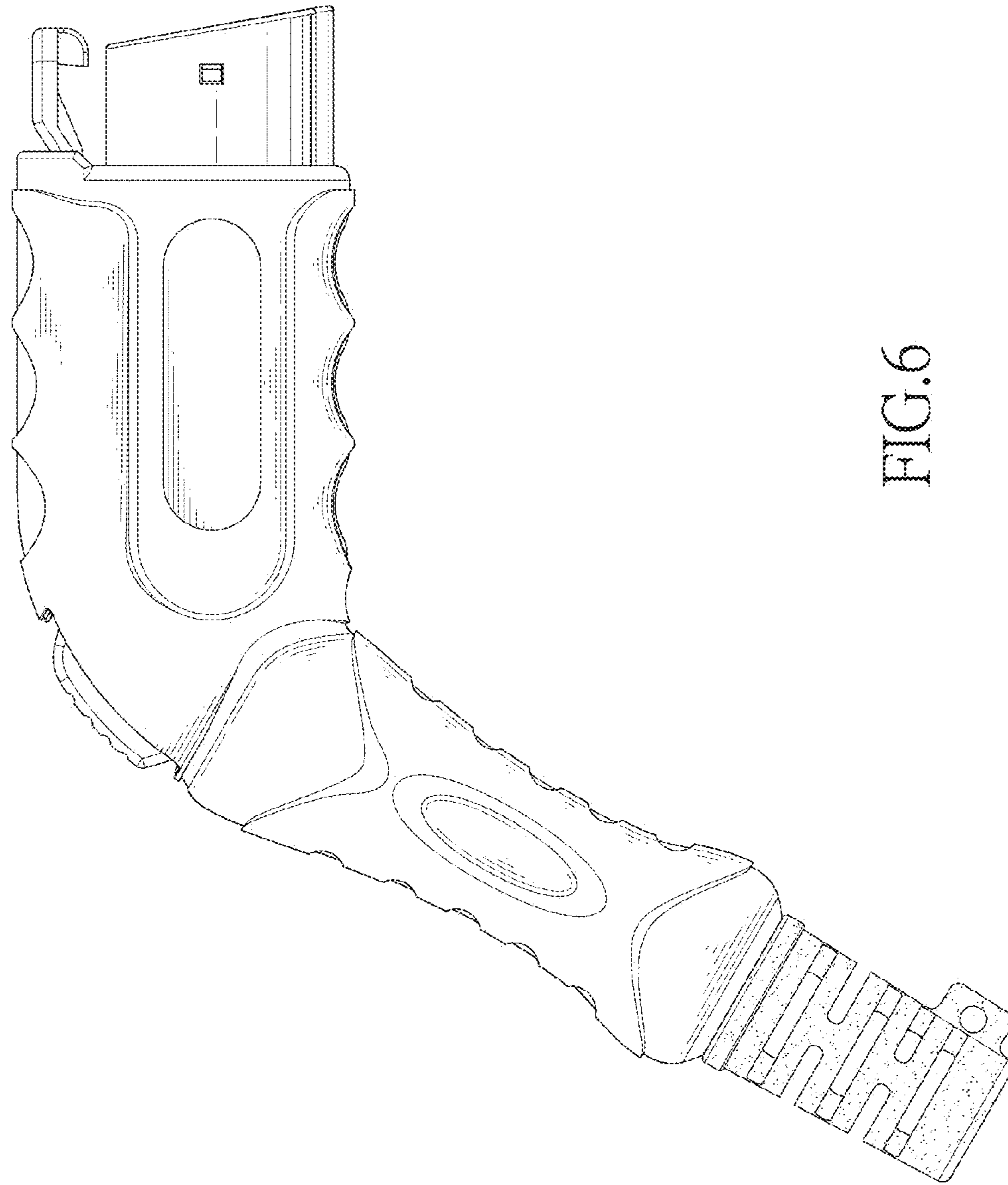


FIG.6

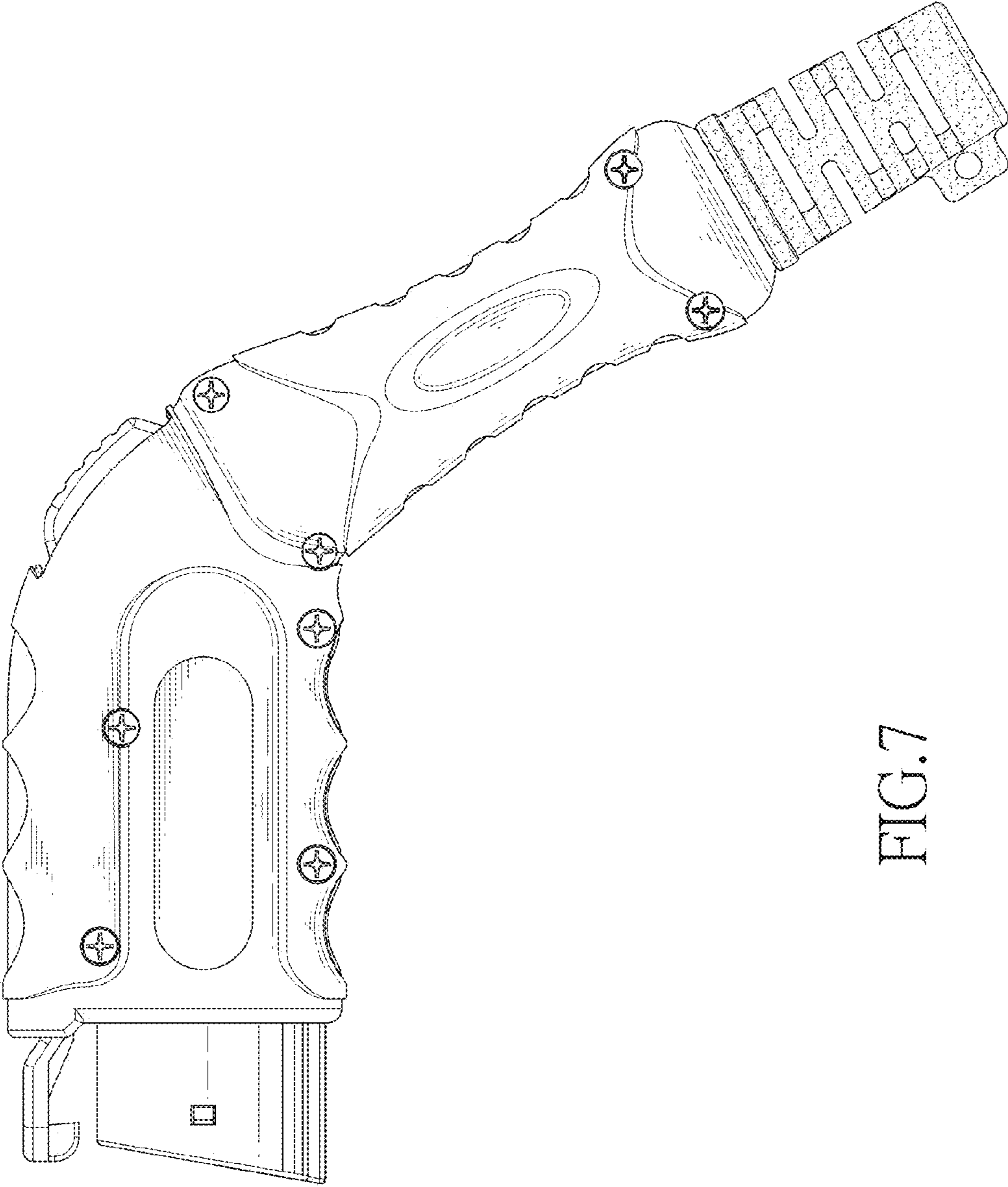


FIG.7