



US00D716232S

(12) **United States Design Patent**
Byrne et al.

(10) **Patent No.:** **US D716,232 S**
(45) **Date of Patent:** **** Oct. 28, 2014**

(54) **ELECTRICAL POWER CENTER**

(71) Applicants: **Daniel R. Byrne**, Lowell, MI (US);
Chad Zimmerman, Hastings, MI (US);
William F. Schacht, Grand Rapids, MI (US);
Randell E. Pate, Jenison, MI (US);
Brent A. Reame, Grand Rapids, MI (US);
Timothy J. Warwick, Sparta, MI (US)

(72) Inventors: **Daniel R. Byrne**, Lowell, MI (US);
Chad Zimmerman, Hastings, MI (US);
William F. Schacht, Grand Rapids, MI (US);
Randell E. Pate, Jenison, MI (US);
Brent A. Reame, Grand Rapids, MI (US);
Timothy J. Warwick, Sparta, MI (US)

(73) Assignee: **Norman R. Byrne**, Ada, MI (US)

(**) Term: **14 Years**

(21) Appl. No.: **29/452,253**

(22) Filed: **Apr. 15, 2013**

(51) **LOC (10) Cl.** **13-03**

(52) **U.S. Cl.**
USPC **D13/139.4**

(58) **Field of Classification Search**
USPC D13/139.1, 107, 109, 110, 112, 114,
D13/130, 131, 132, 133, 137, 137.1, 137.2,
D13/137.3, 137.4, 138.1, 139.2, 139.4,
D13/139.5, 139.7, 139.8, 146, 147, 151,
D13/152, 160, 161, 162, 164, 199; D26/2,
D26/3, 64, 75; 313/331, 357, 422
See application file for complete search history.

(56) **References Cited**

U.S. PATENT DOCUMENTS

D353,363 S 12/1994 Toby
D392,254 S 3/1998 Gevaert
D437,827 S * 2/2001 Gershfeld D13/139.4

(Continued)

Primary Examiner — Ian Simmons

Assistant Examiner — Rhea Shields

(74) *Attorney, Agent, or Firm* — Gardner, Linn, Burkhart & Flory, LLP

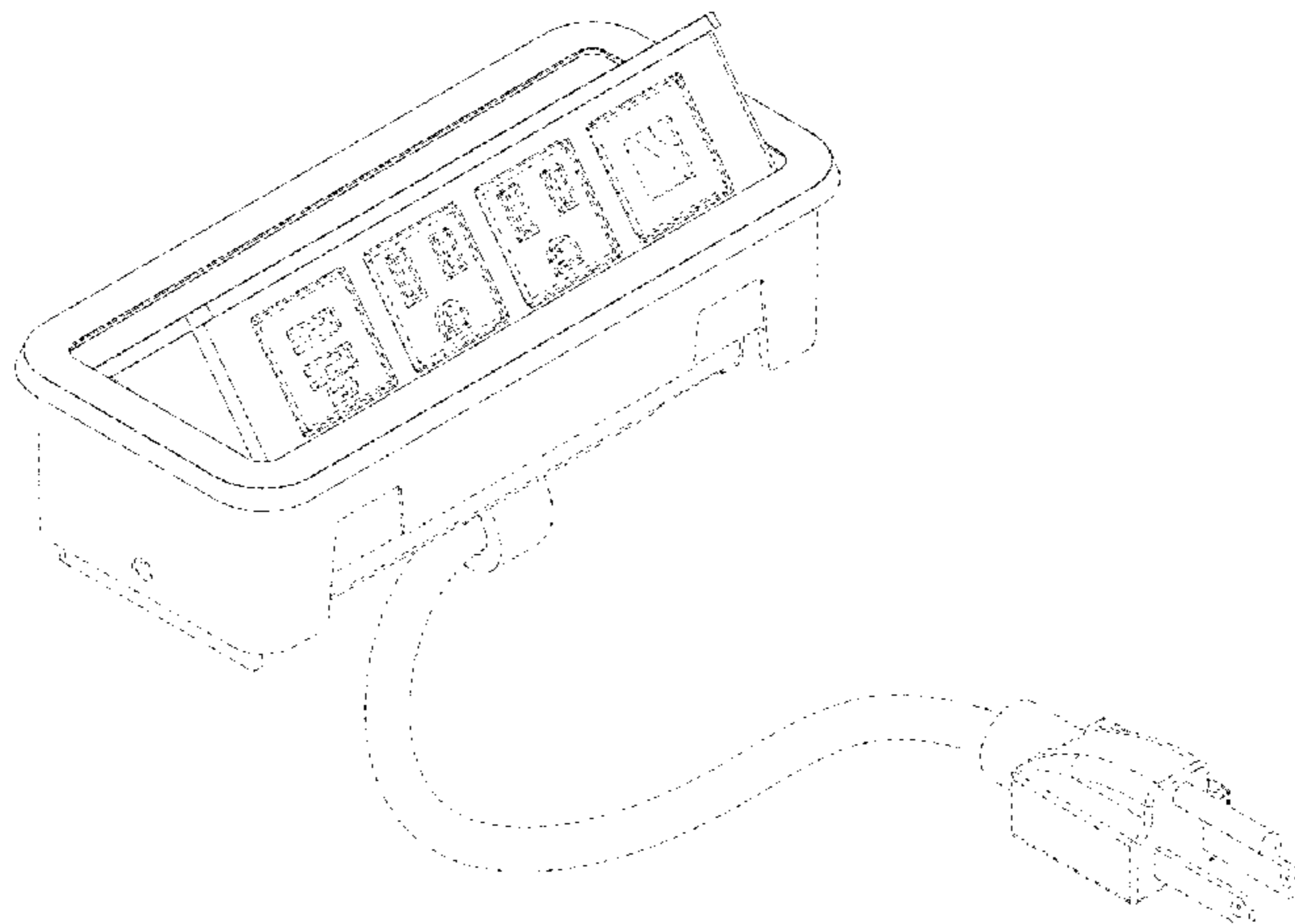
(57) **CLAIM**

The ornamental design for an electrical power center, as shown and described.

DESCRIPTION

FIG. 1 is a front perspective view of an electrical power center showing our new design, in an open configuration;
FIG. 2 is a rear perspective view of the electrical power center of FIG. 1;
FIG. 3 is a top plan view of the electrical power center of FIG. 1;
FIG. 4 is a bottom plan view of the electrical power center of FIG. 1;
FIG. 5 is a front elevation of the electrical power center of FIG. 1;
FIG. 6 is a rear elevation of the electrical power center of FIG. 1;
FIG. 7 is a right side elevation of the electrical power center of FIG. 1;
FIG. 8 is a left side elevation of the electrical power center of FIG. 1;
FIG. 9 is a front perspective view of the electrical power center of FIG. 1, in a closed configuration;
FIG. 10 is a rear perspective view of the electrical power center of FIG. 9;
FIG. 11 is a top plan view of the electrical power center of FIG. 9;
FIG. 12 is a bottom plan view of the electrical power center of FIG. 9;
FIG. 13 is a front elevation of the electrical power center of FIG. 9;
FIG. 14 is a rear elevation of the electrical power center of FIG. 9;
FIG. 15 is a right side elevation of the electrical power center of FIG. 9; and,
FIG. 16 is a left side elevation of the electrical power center of FIG. 9.
The broken lines are included for the purpose of illustrating portions of the electrical power center that form no part of the claimed design.

1 Claim, 6 Drawing Sheets



(56)

References Cited

U.S. PATENT DOCUMENTS

| | | | | | | | |
|--------------|---------|-----------------|-----------|--------------|---------|-----------------------|-----------|
| D455,716 S * | 4/2002 | Gershfeld | D13/139.4 | D639,244 S | 6/2011 | Byrne | |
| D466,868 S * | 12/2002 | Gershfeld | D13/139.4 | D657,315 S * | 4/2012 | Feldstein et al. | D13/139.4 |
| D472,213 S | 3/2003 | Byrne | | D660,237 S | 5/2012 | Byrne | |
| D537,785 S | 3/2007 | Pincek | | D665,355 S | 8/2012 | Byrne | |
| D556,139 S * | 11/2007 | Gershfeld | D13/139.4 | D666,556 S | 9/2012 | Byrne | |
| | | | | 8,287,292 B2 | 10/2012 | Byrne | |
| | | | | D682,213 S * | 5/2013 | Byrne et al. | D13/139.4 |
| | | | | 8,482,252 B2 | 7/2013 | Byrne | |

* cited by examiner

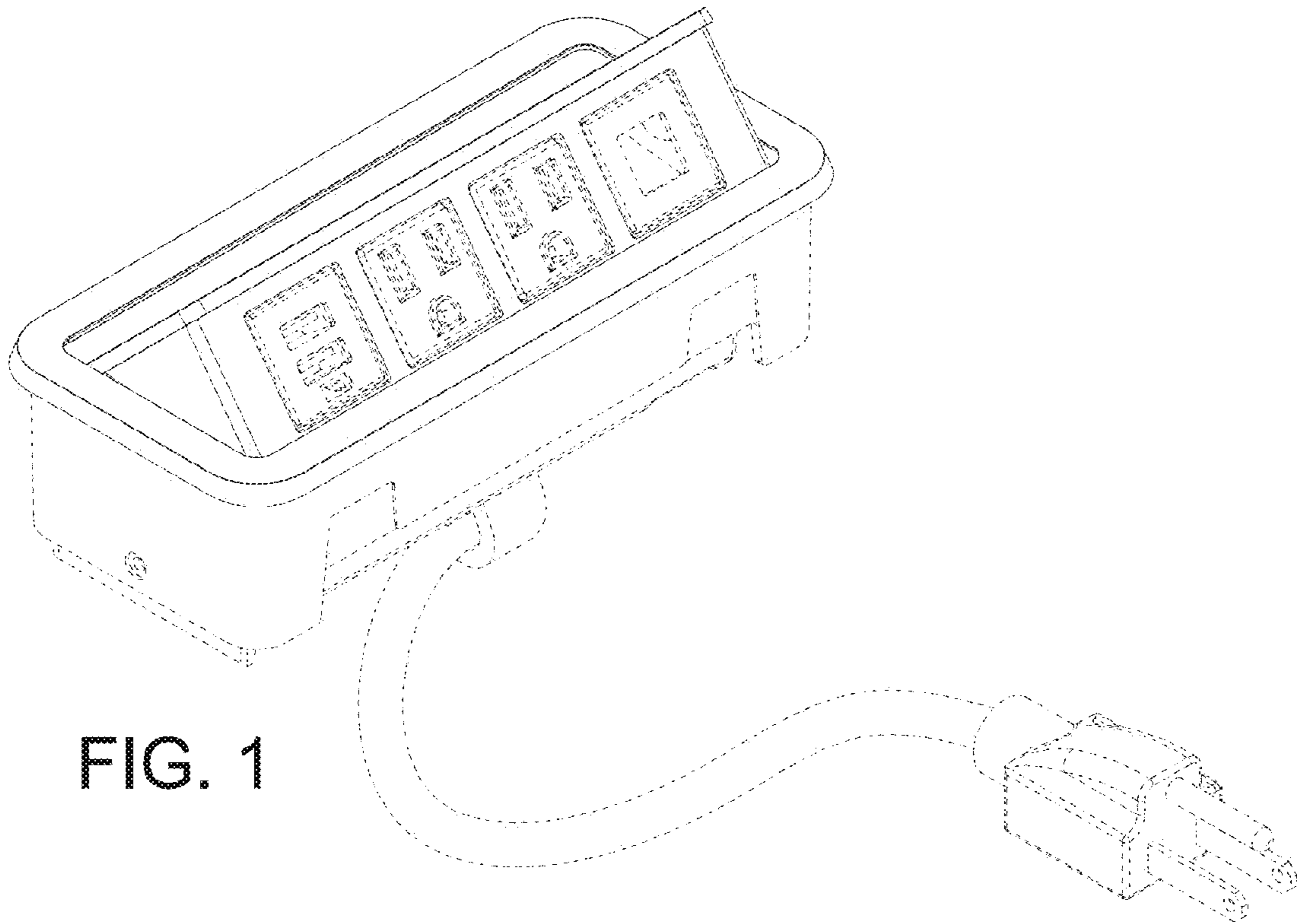


FIG. 1

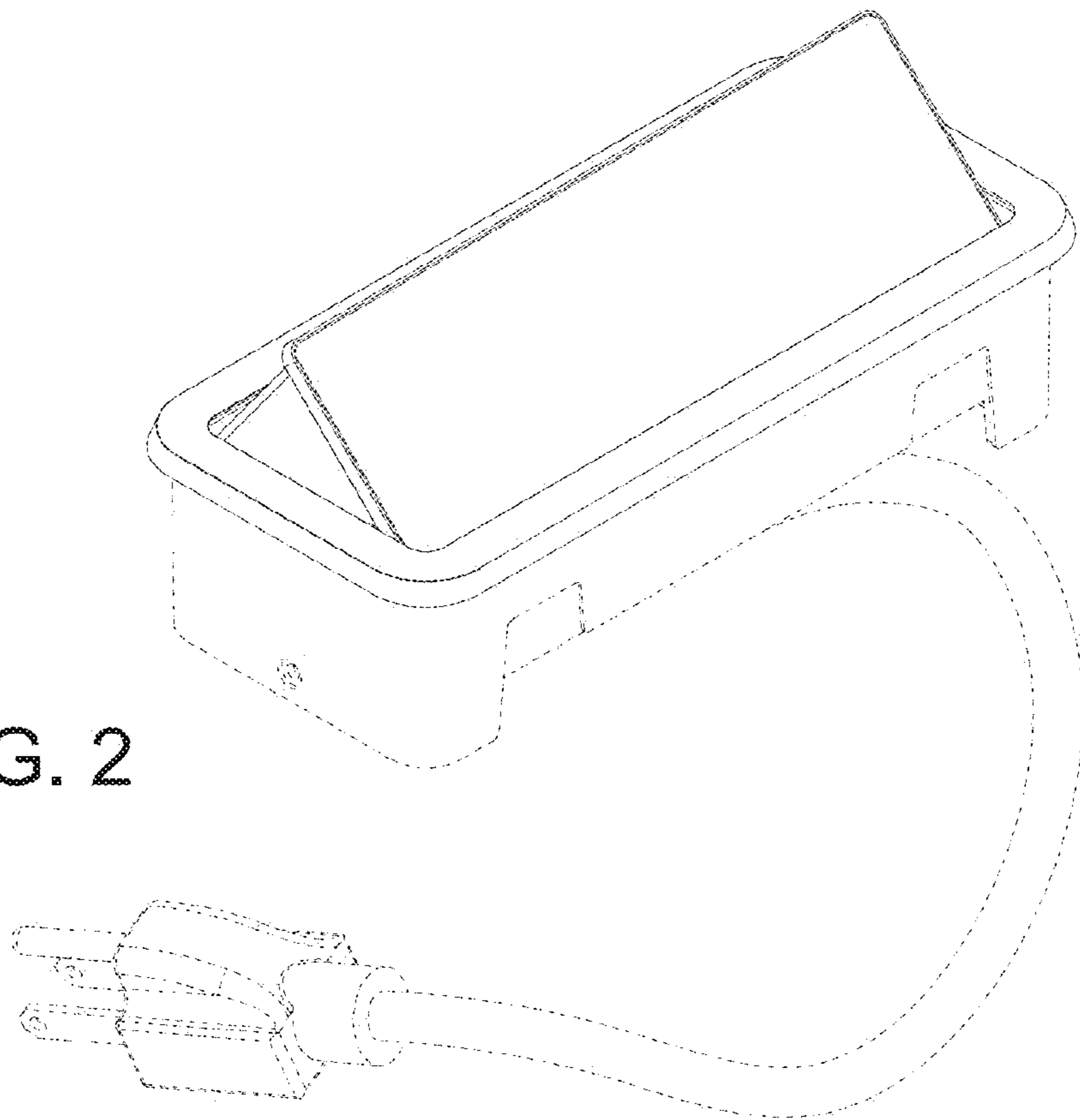


FIG. 2

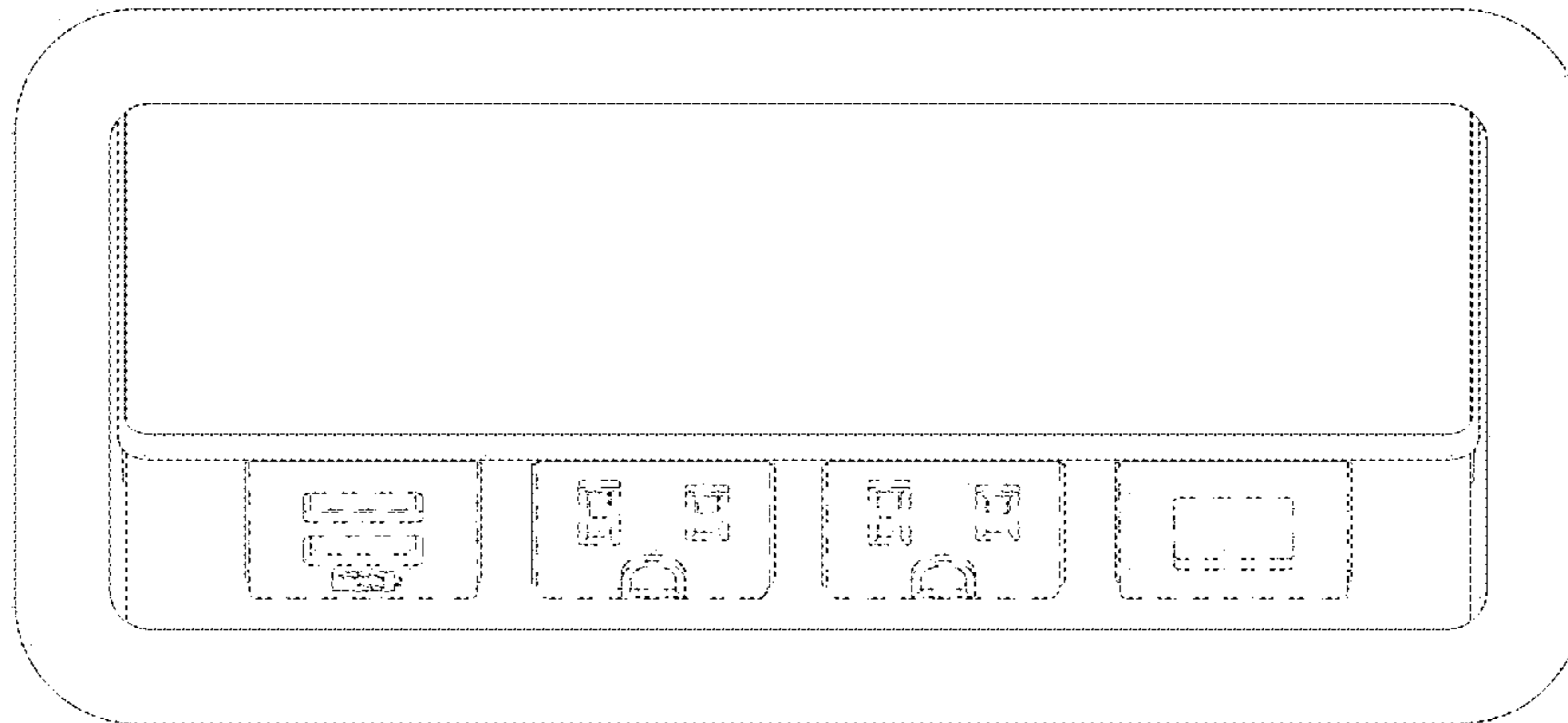


FIG. 3

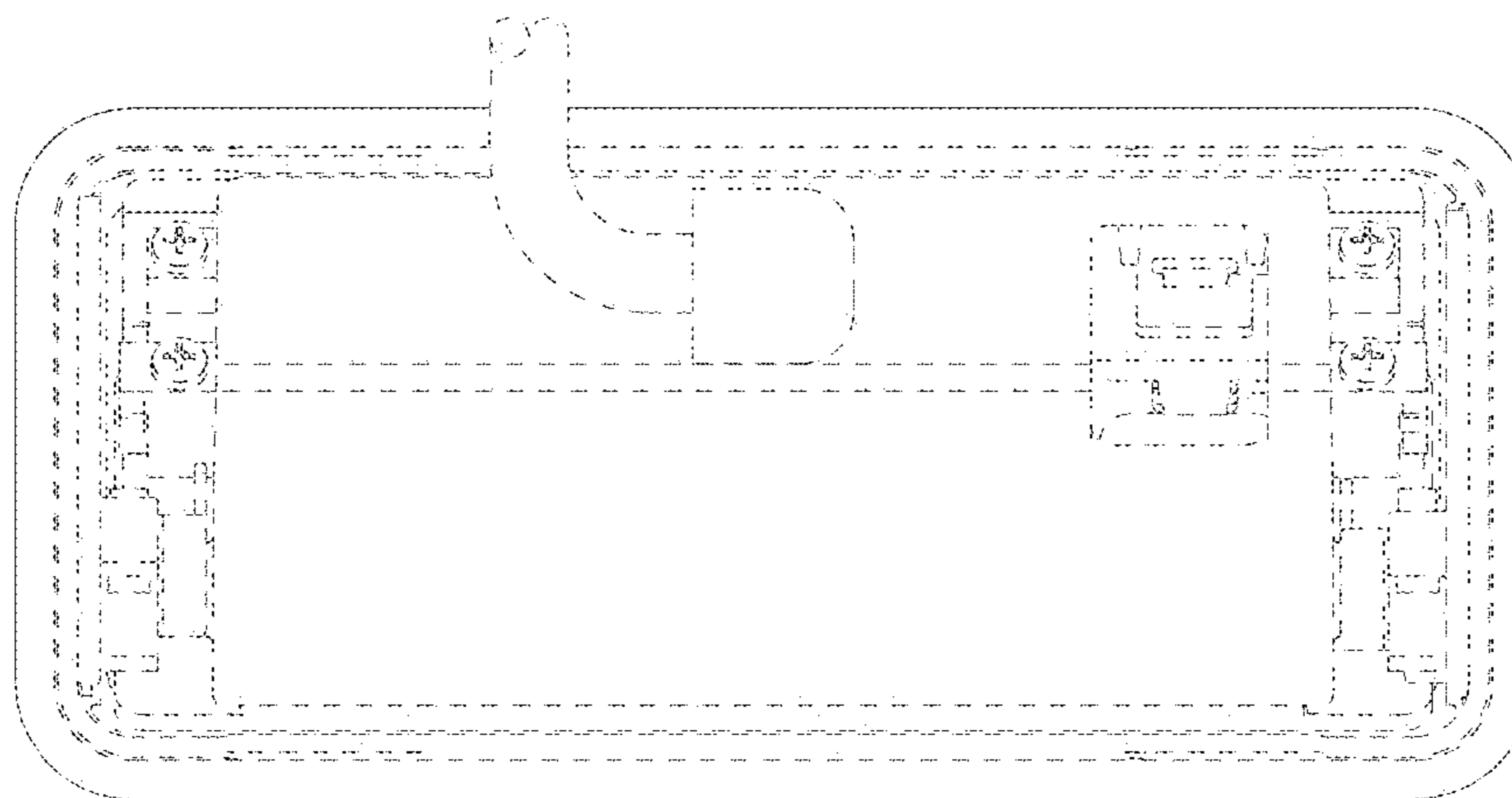


FIG. 4

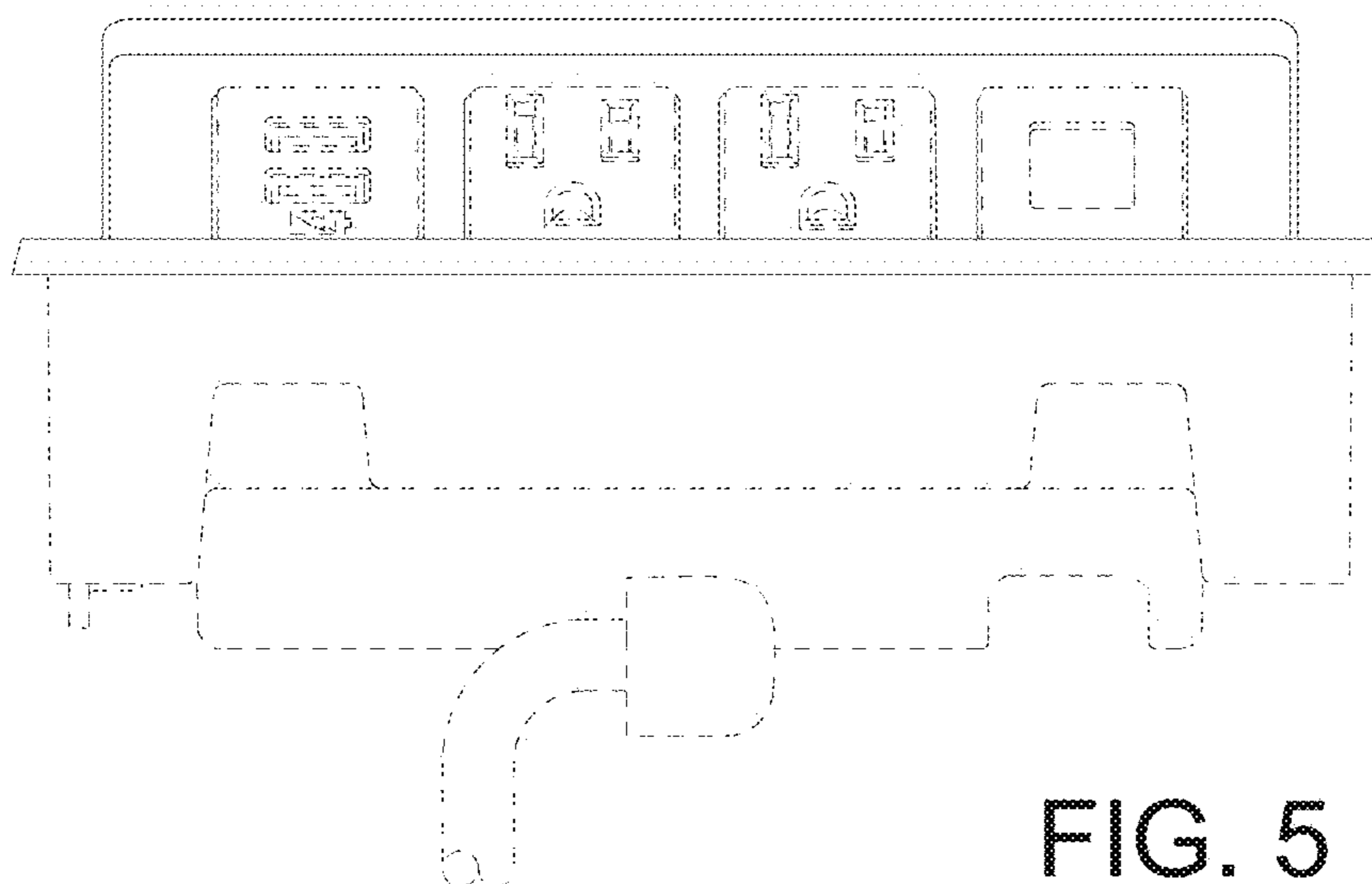


FIG. 5

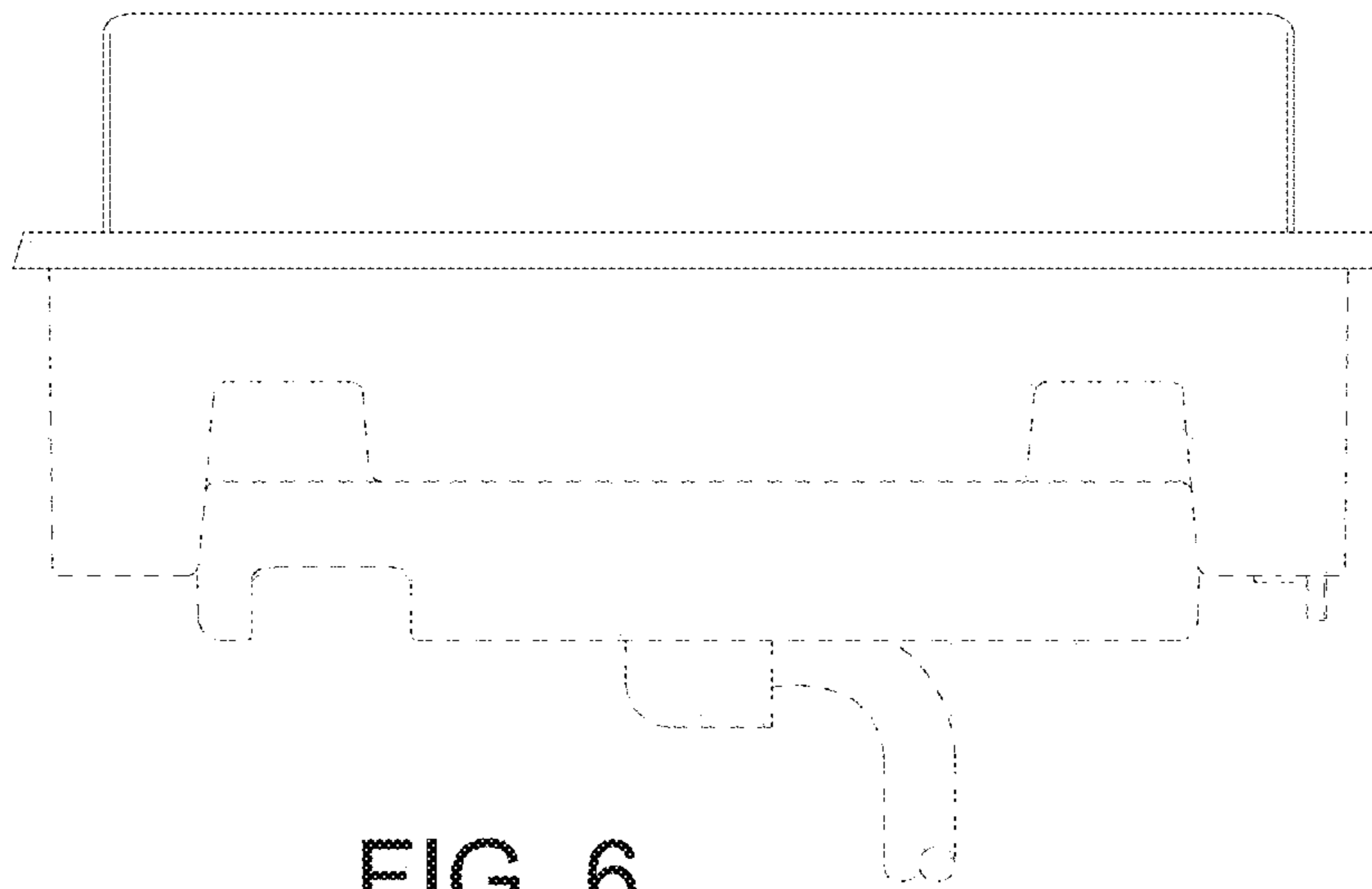


FIG. 6

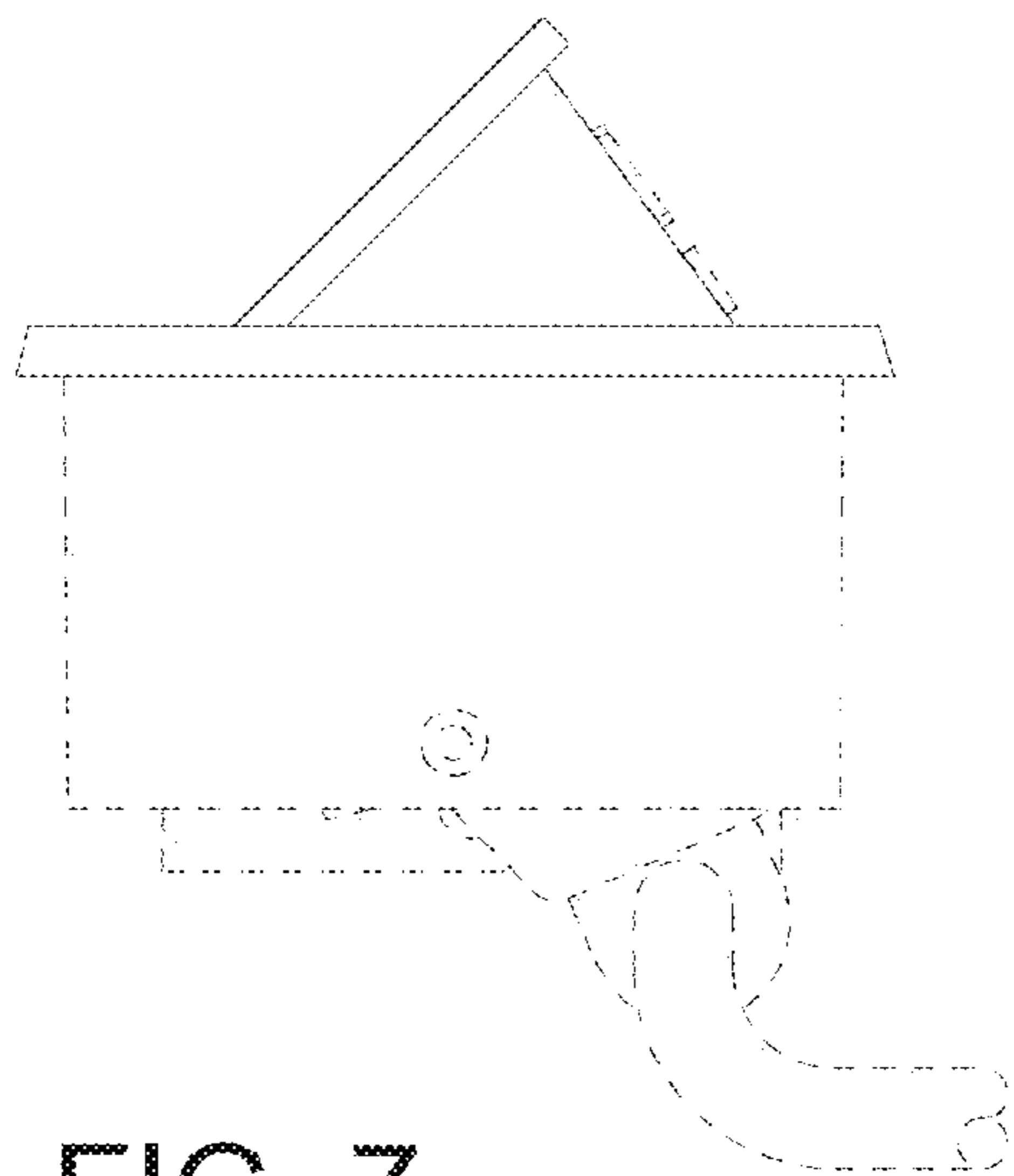


FIG. 7

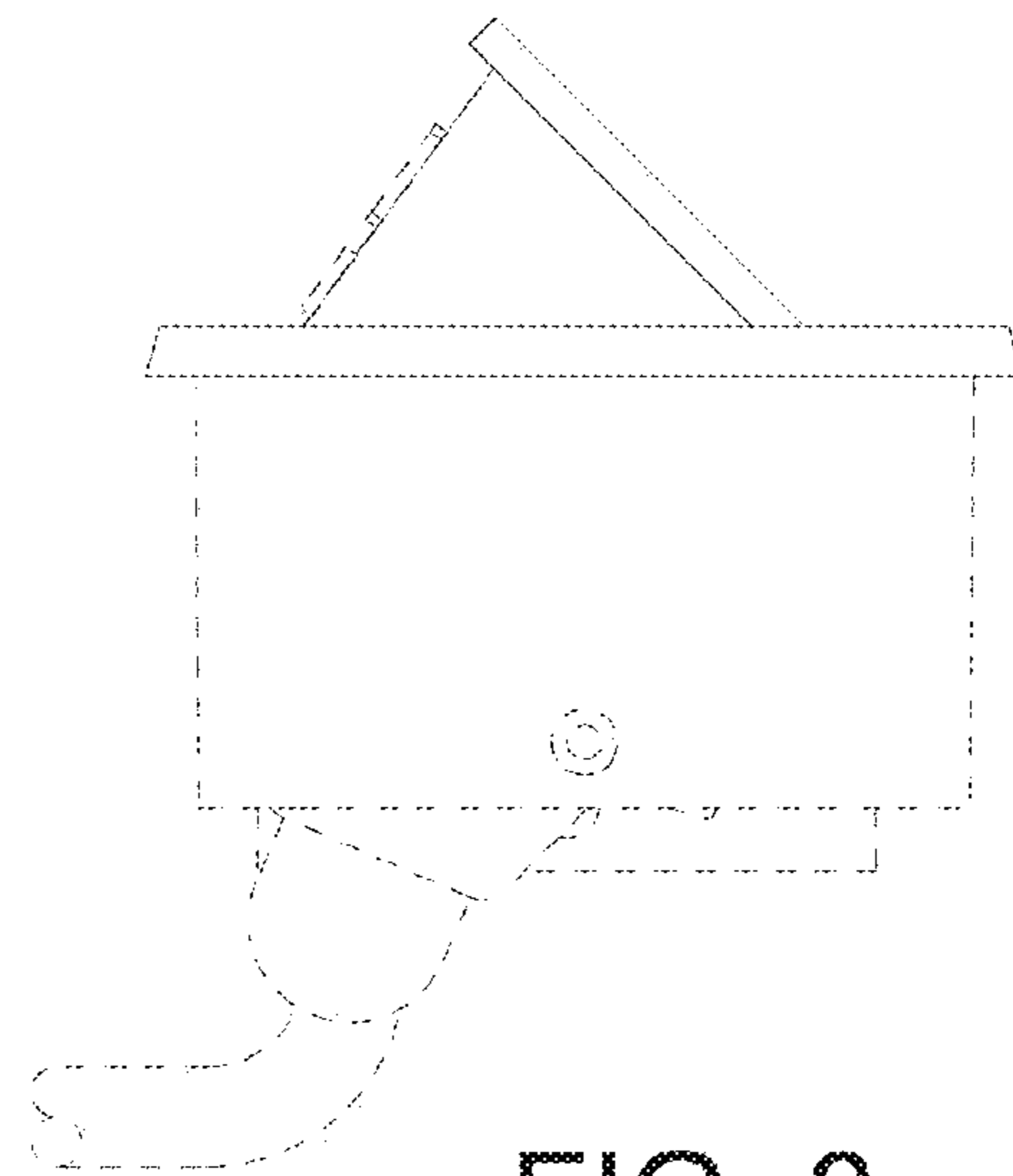


FIG. 8

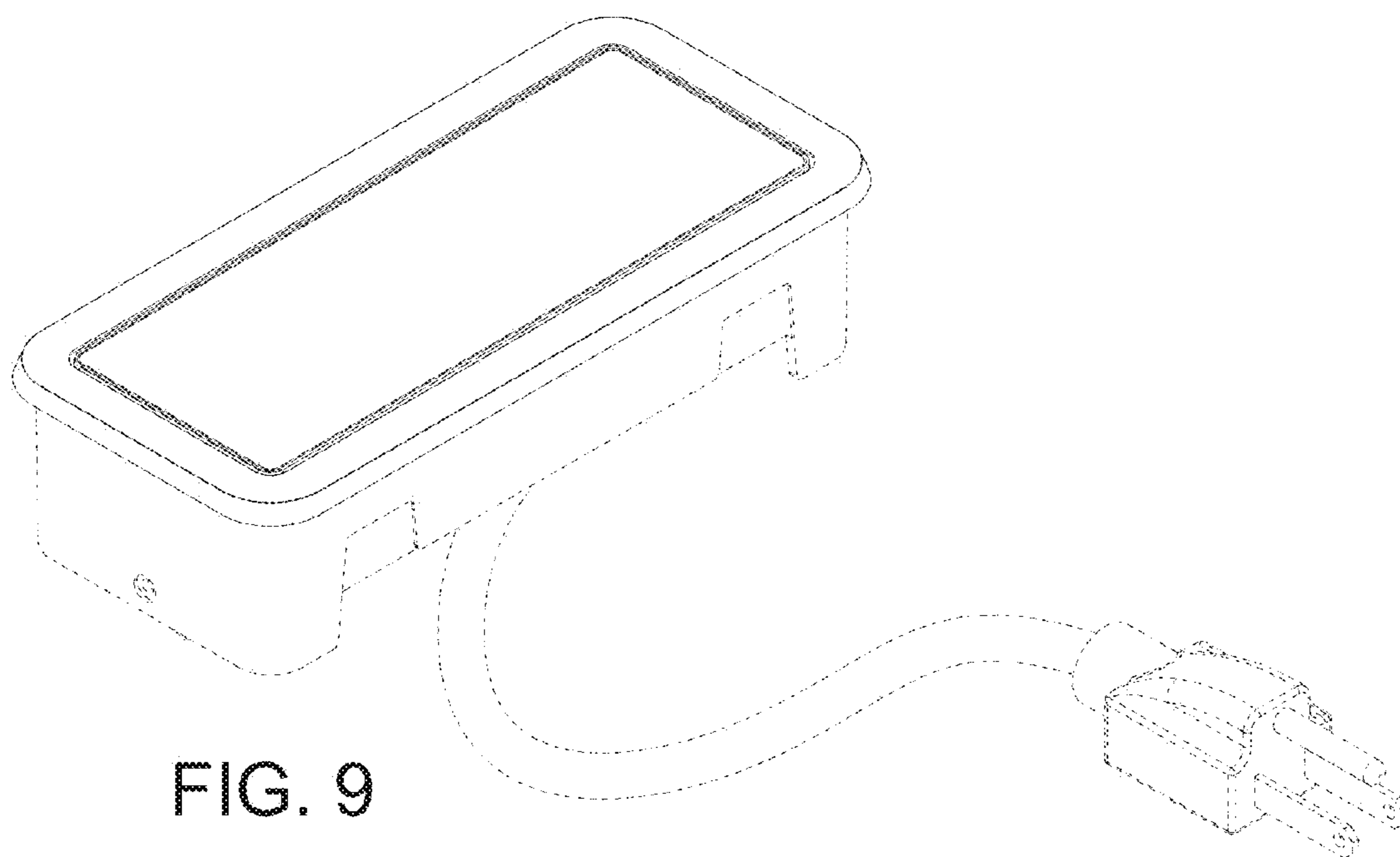


FIG. 9

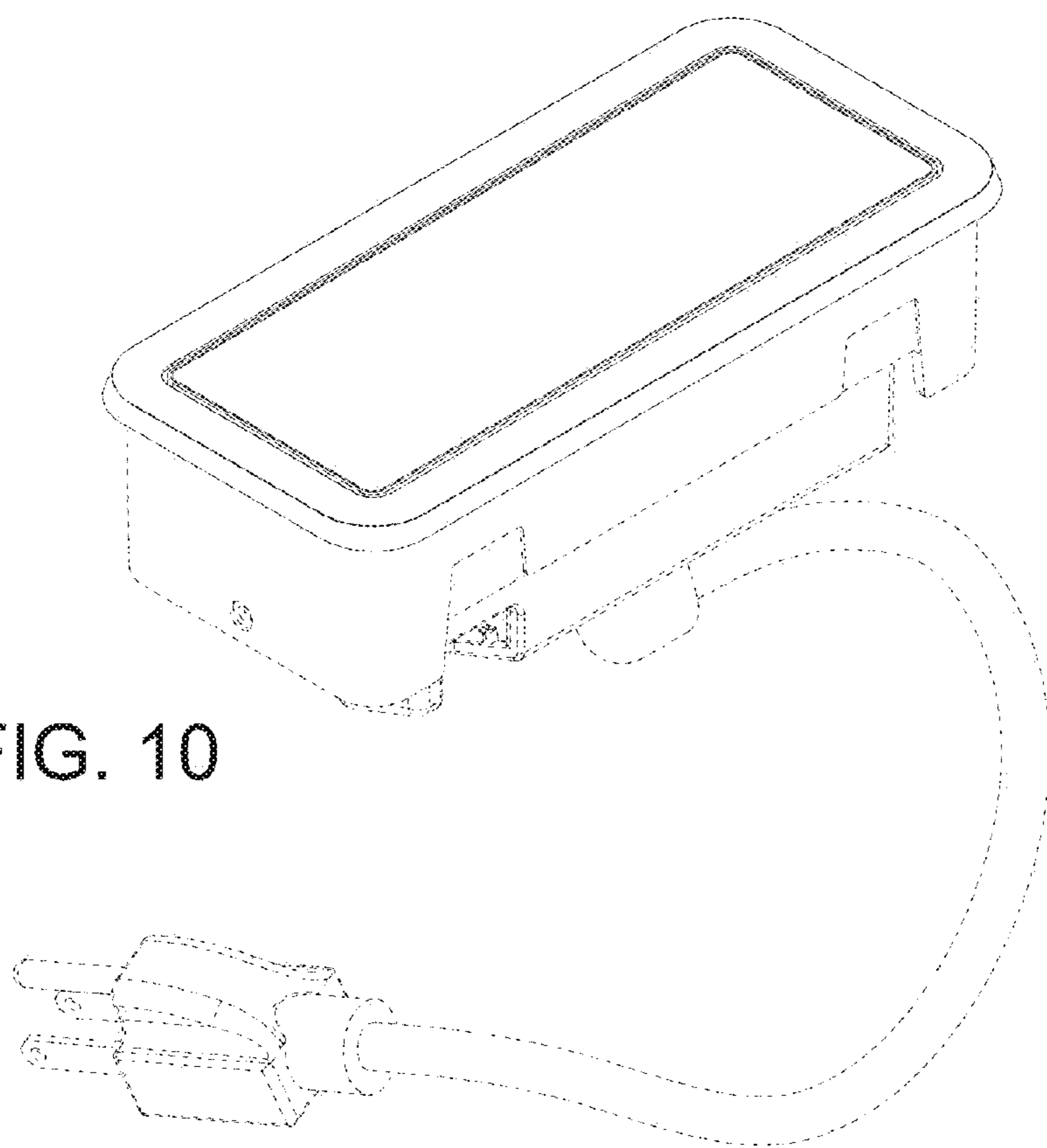


FIG. 10

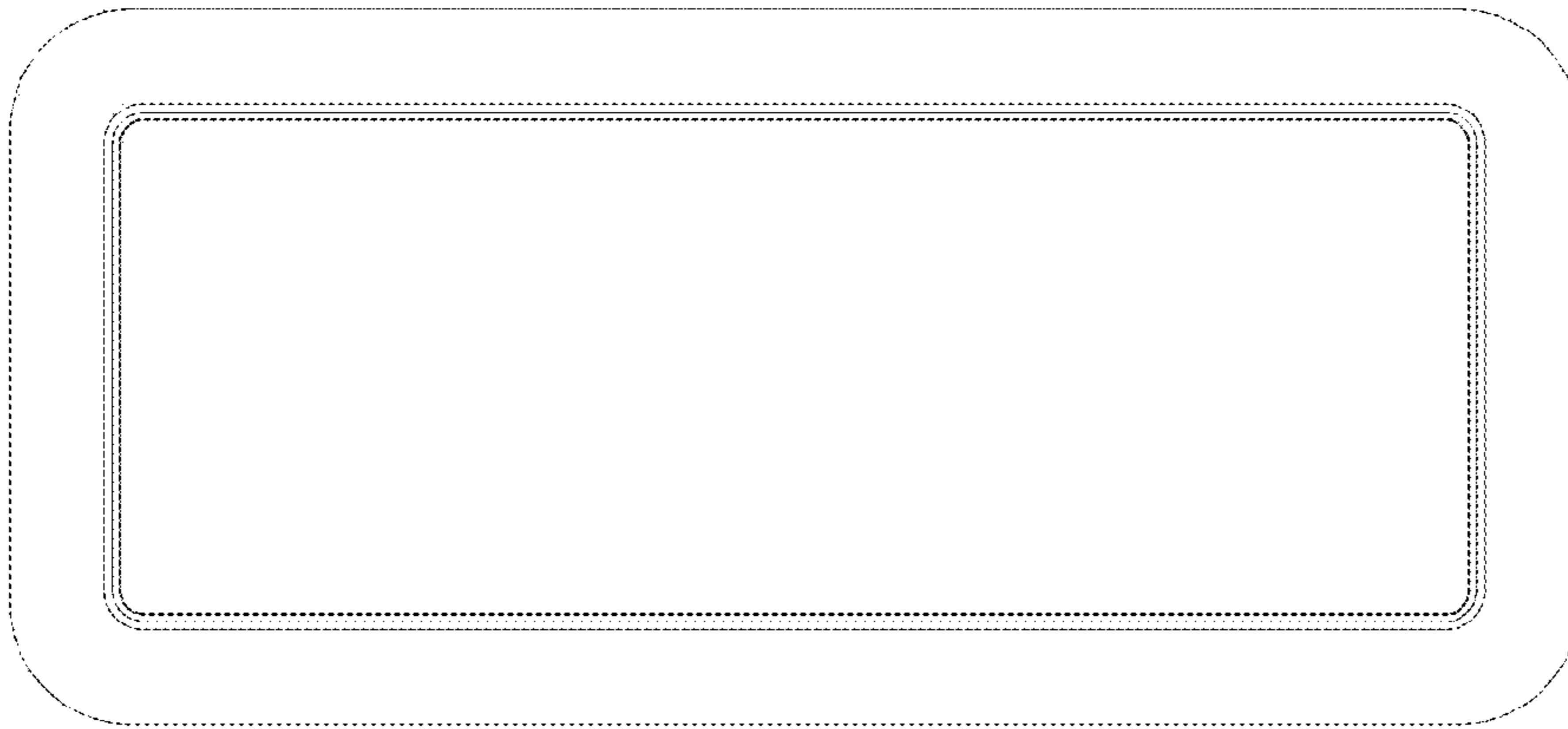


FIG. 11

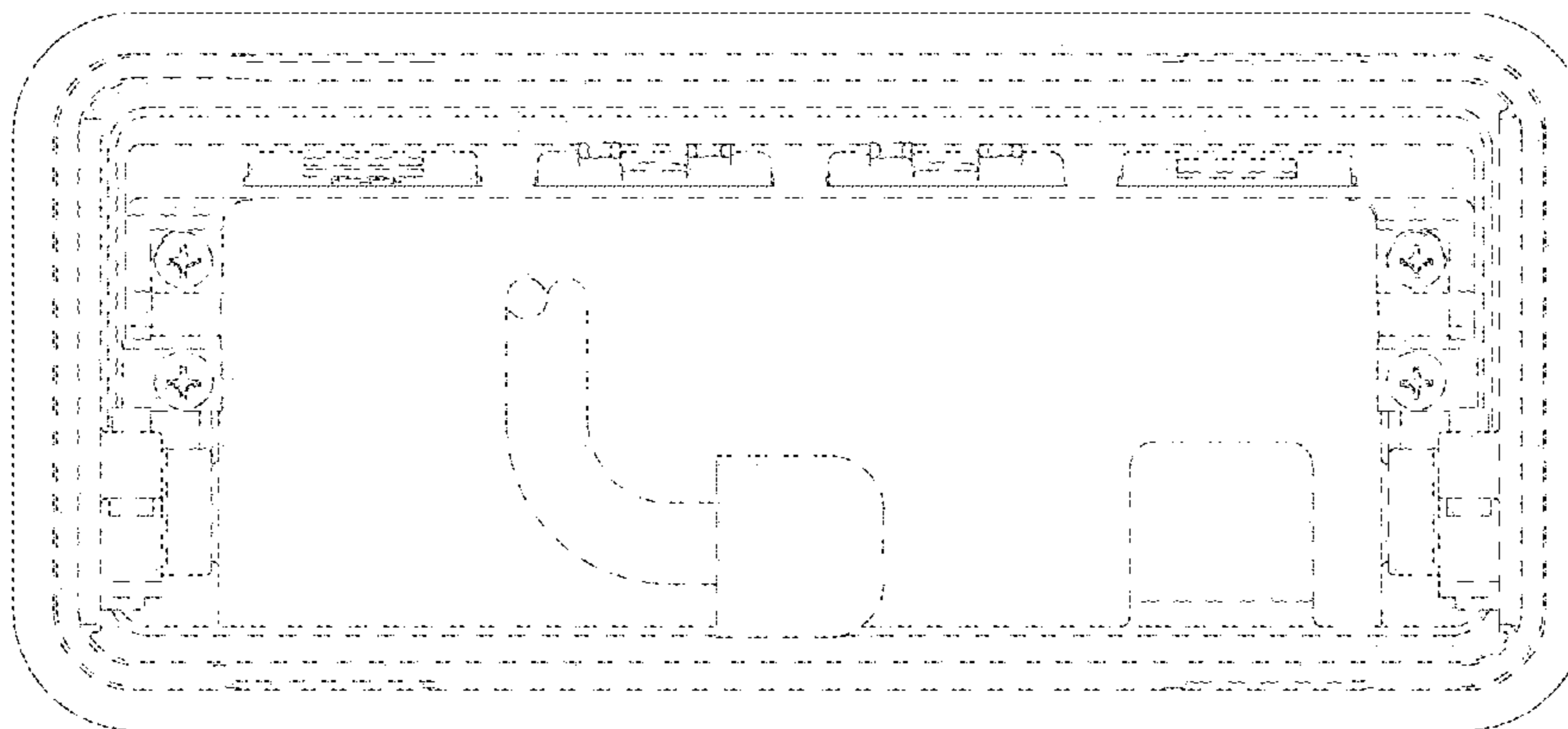


FIG. 12

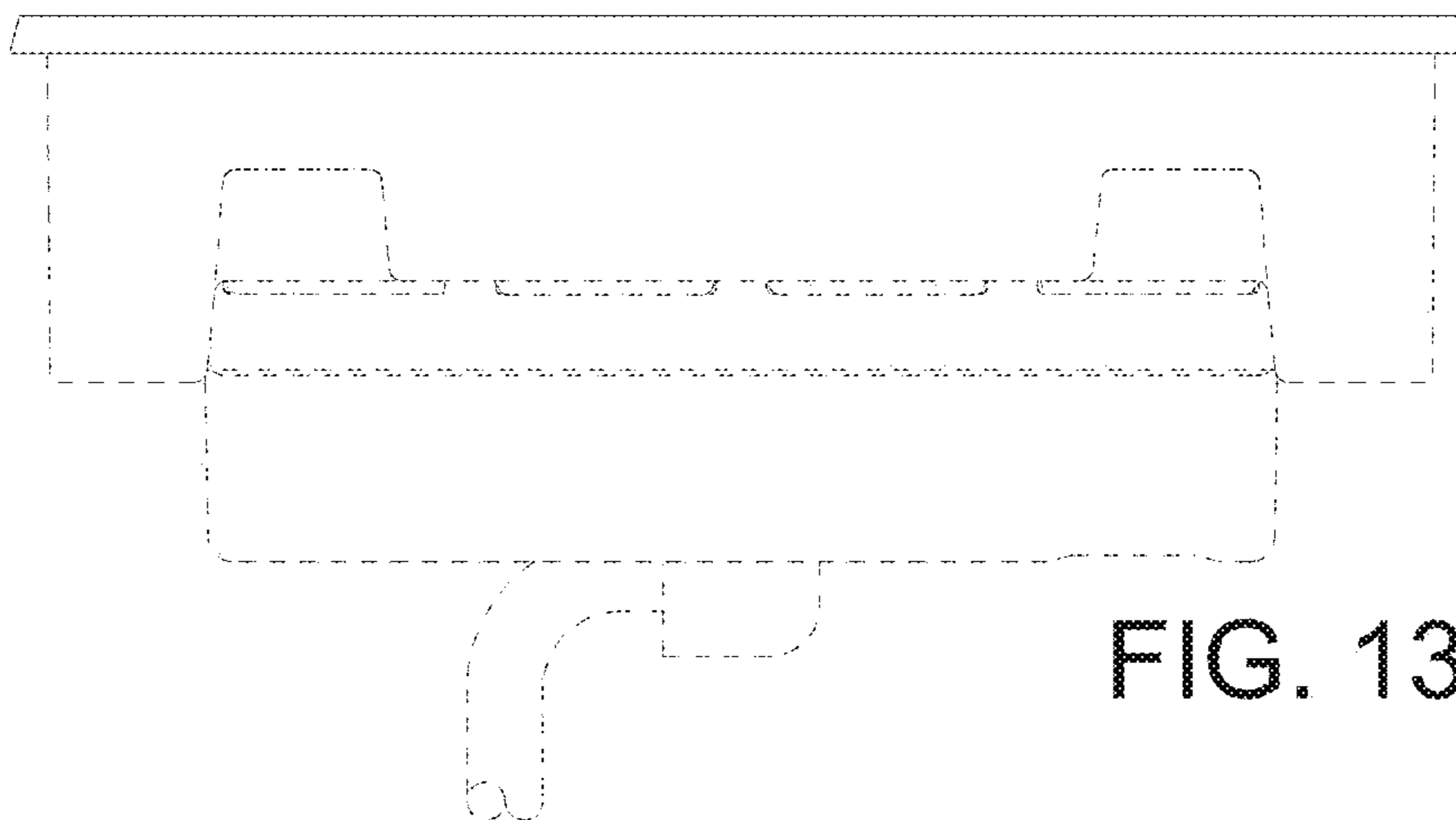


FIG. 13

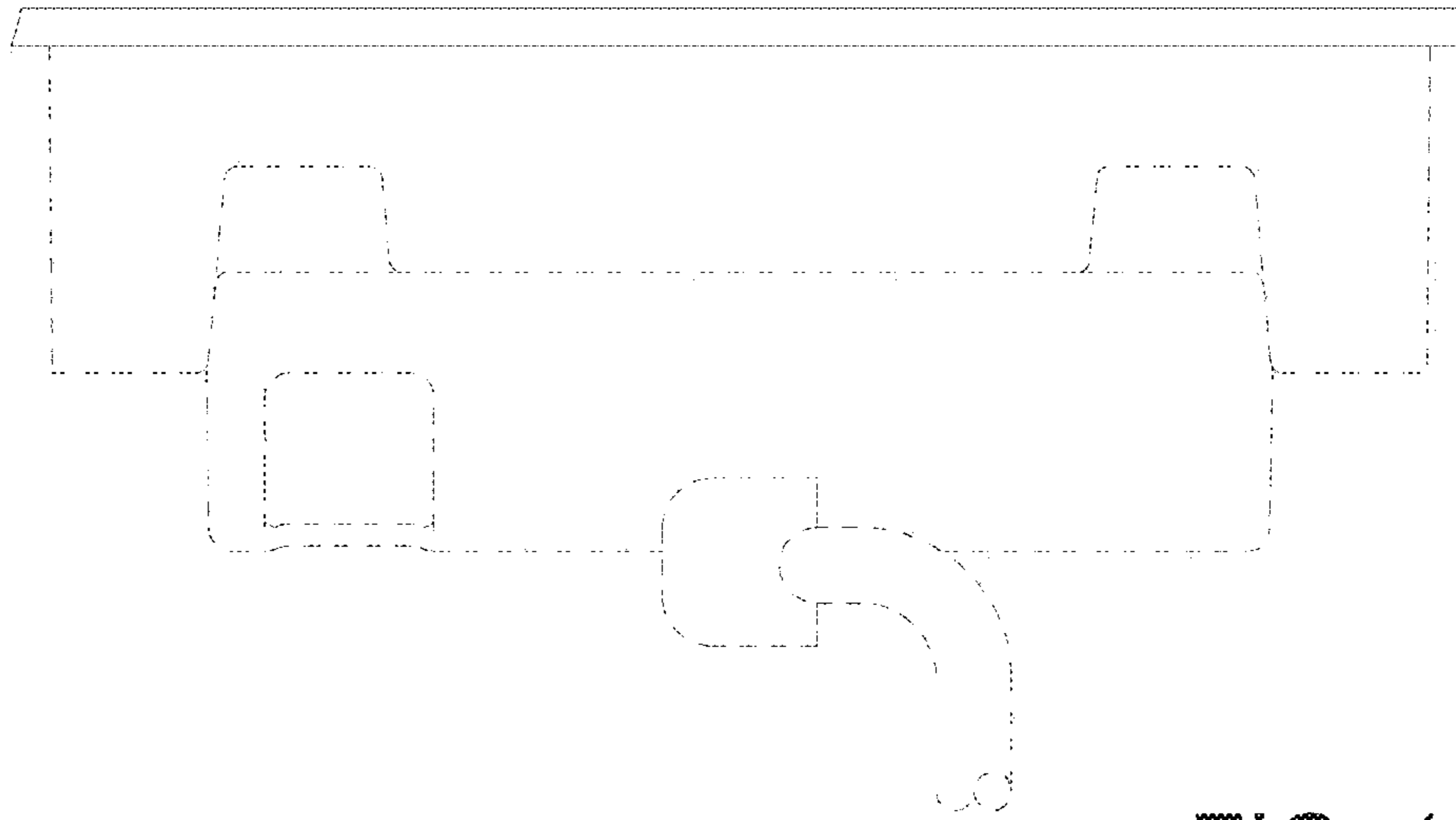


FIG. 14

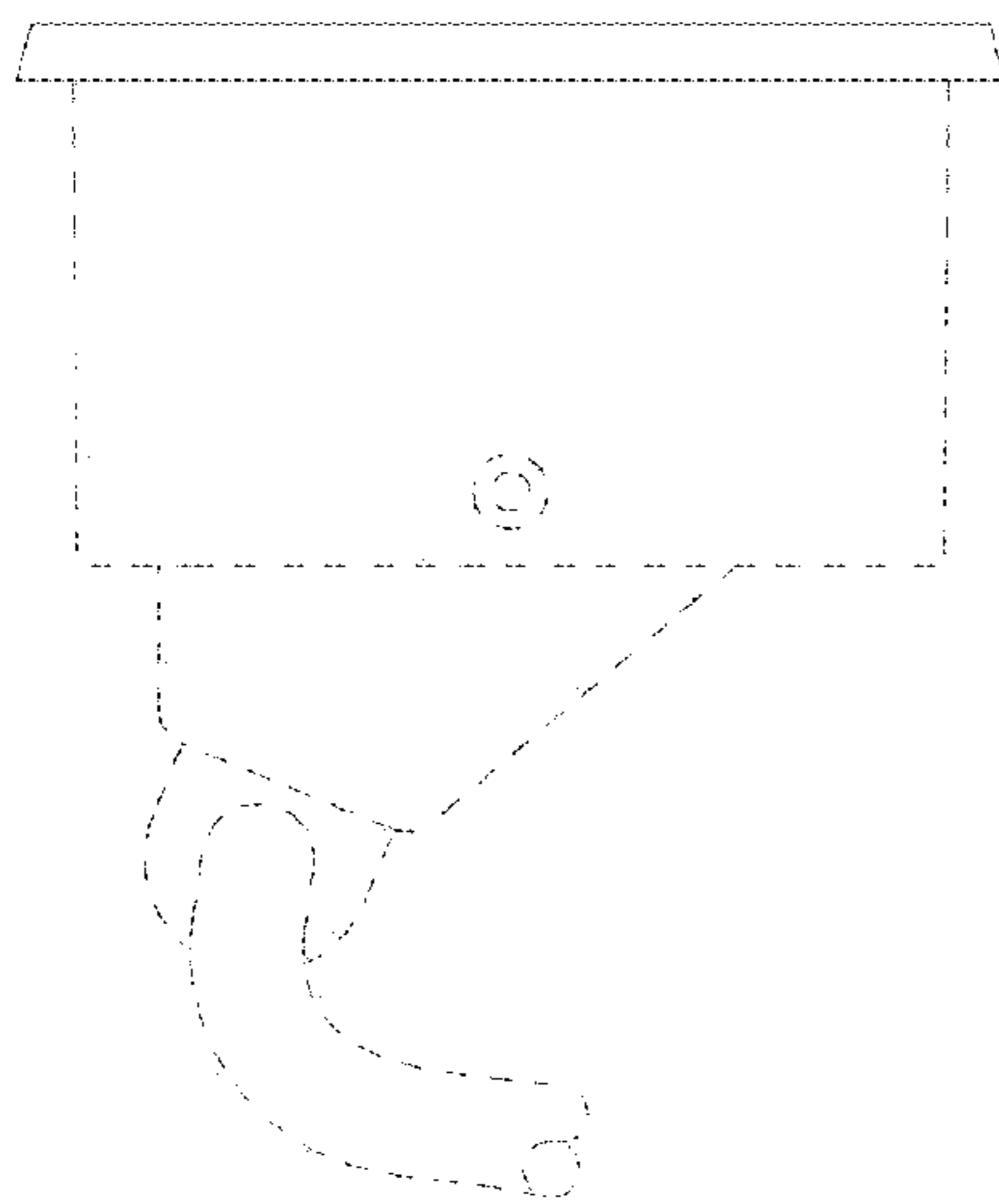


FIG. 15

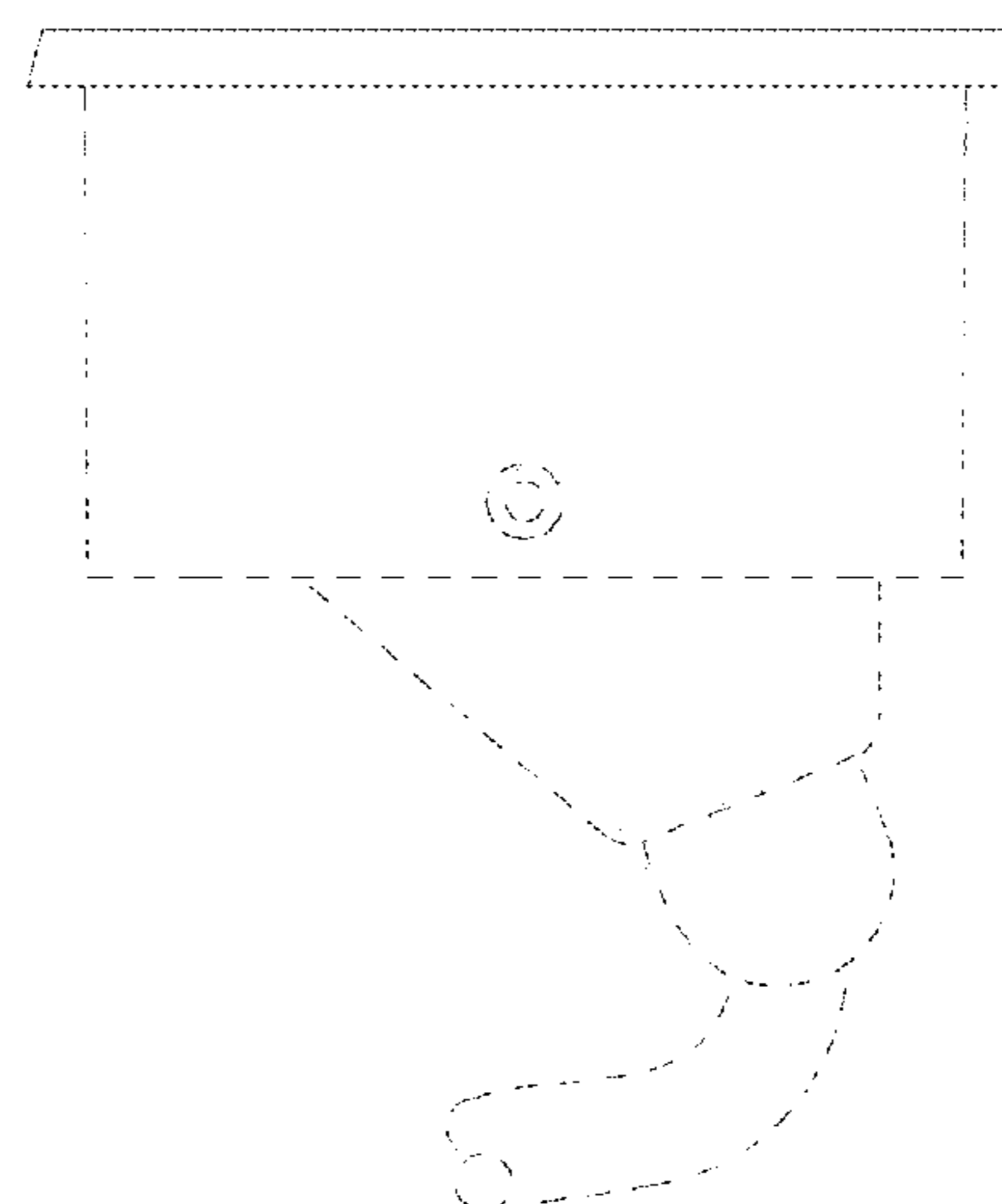


FIG. 16

UNITED STATES PATENT AND TRADEMARK OFFICE
CERTIFICATE OF CORRECTION

PATENT NO. : D716,232 S
APPLICATION NO. : 29/452253
DATED : October 28, 2014
INVENTOR(S) : Byrne et al.

Page 1 of 8

It is certified that error appears in the above-identified patent and that said Letters Patent is hereby corrected as shown below:

The Title page, showing the illustrative figure, should be deleted and substitute therefor the attached Title page.

Delete figs. 1-16 and substitute therefor the drawing sheets, consisting of figs. 1-16 as shown on the attached pages.

Signed and Sealed this
Fifteenth Day of December, 2015



Michelle K. Lee
Director of the United States Patent and Trademark Office

(12) **United States Design Patent**
Byrne et al.

(10) **Patent No.:** **US D716,232 S**
(45) **Date of Patent:** **** Oct. 28, 2014**

(54) **ELECTRICAL POWER CENTER**

(74) *Attorney, Agent, or Firm* — Gardner, Linn, Burkhardt & Flory, LLP

(71) Applicants: **Daniel R. Byrne**, Lowell, MI (US);
Chad Zimmerman, Hastings, MI (US);
William F. Schacht, Grand Rapids, MI (US);
Randell E. Pate, Jenison, MI (US);
Brent A. Reame, Grand Rapids, MI (US);
Timothy J. Warwick, Sparta, MI (US)

(57) **CLAIM**
The ornamental design for an electrical power center, as shown and described.

(72) Inventors: **Daniel R. Byrne**, Lowell, MI (US);
Chad Zimmerman, Hastings, MI (US);
William F. Schacht, Grand Rapids, MI (US);
Randell E. Pate, Jenison, MI (US);
Brent A. Reame, Grand Rapids, MI (US);
Timothy J. Warwick, Sparta, MI (US)

DESCRIPTION

(73) Assignee: **Norman R. Byrne**, Ada, MI (US)

FIG. 1 is a front perspective view of an electrical power center showing our new design, in an open configuration;
FIG. 2 is a rear perspective view of the electrical power center of FIG. 1;
FIG. 3 is a top plan view of the electrical power center of FIG. 1;
FIG. 4 is a bottom plan view of the electrical power center of FIG. 1;
FIG. 5 is a front elevation of the electrical power center of FIG. 1;
FIG. 6 is a rear elevation of the electrical power center of FIG. 1;
FIG. 7 is a right side elevation of the electrical power center of FIG. 1;
FIG. 8 is a left side elevation of the electrical power center of FIG. 1;
FIG. 9 is a front perspective view of the electrical power center of FIG. 1, in a closed configuration;
FIG. 10 is a rear perspective view of the electrical power center of FIG. 9;
FIG. 11 is a top plan view of the electrical power center of FIG. 9;
FIG. 12 is a bottom plan view of the electrical power center of FIG. 9;
FIG. 13 is a front elevation of the electrical power center of FIG. 9;
FIG. 14 is a rear elevation of the electrical power center of FIG. 9;
FIG. 15 is a right side elevation of the electrical power center of FIG. 9; and,
FIG. 16 is a left side elevation of the electrical power center of FIG. 9.
The broken lines are included for the purpose of illustrating portions of the electrical power center that form no part of the claimed design.

(**) **Term:** **14 Years**

(21) **Appl. No.:** **29/452,253**

(22) **Filed:** **Apr. 15, 2013**

(51) **LOC (10) Cl.** **13-03**

(52) **U.S. Cl.**
USPC **D13/139.4**

(58) **Field of Classification Search**
USPC D13/139.1, 107, 109, 110, 112, 114,
D13/130, 131, 132, 133, 137, 137.1, 137.2,
D13/137.3, 137.4, 138.1, 139.2, 139.4,
D13/139.5, 139.7, 139.8, 146, 147, 151,
D13/152, 160, 161, 162, 164, 199; D26/2,
D26/3, 64, 75; 313/331, 357, 422
See application file for complete search history.

(56) **References Cited**

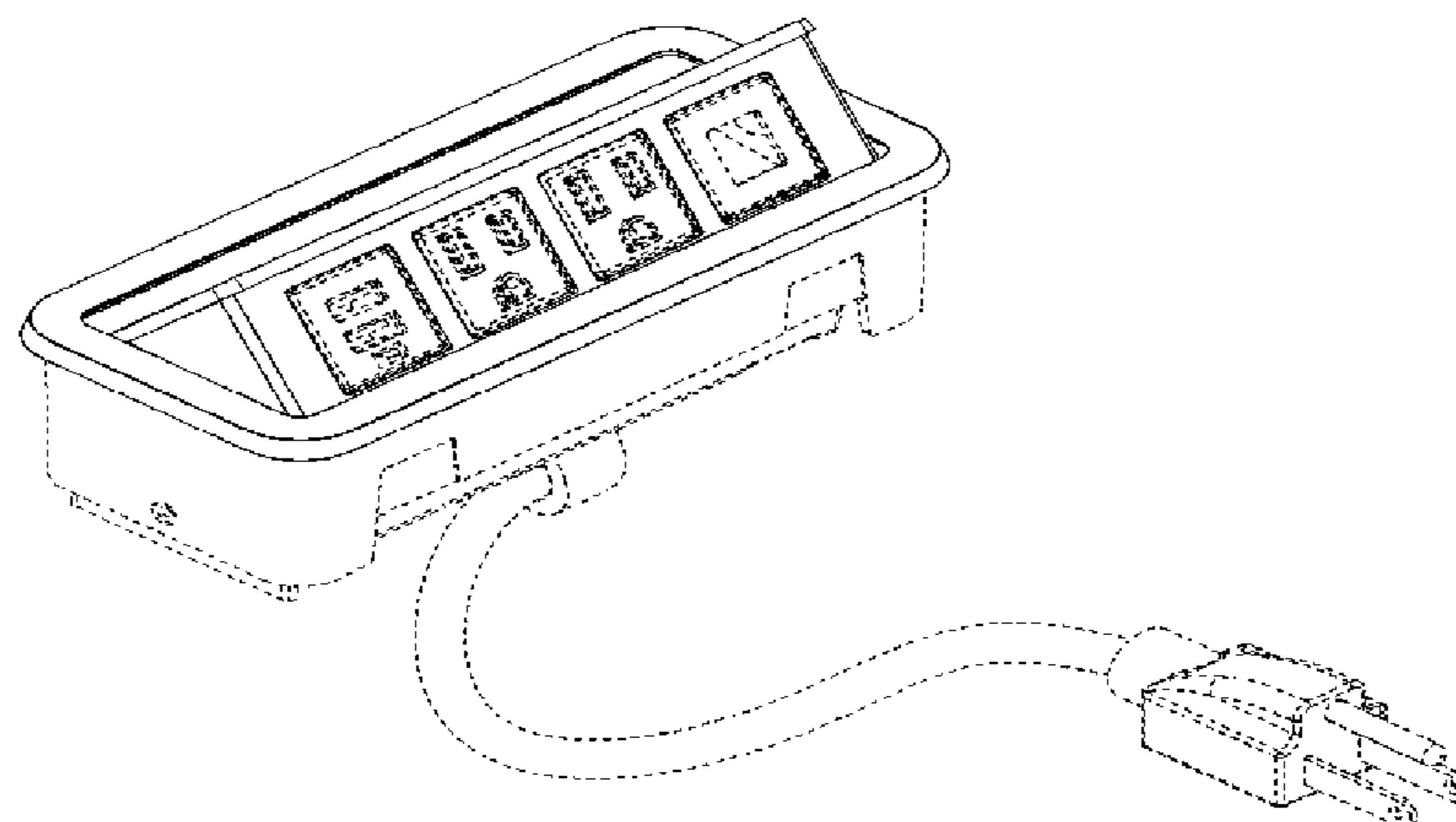
U.S. PATENT DOCUMENTS

D353,363 S 12/1994 Toby
D392,254 S 3/1998 Gevaert
D437,827 S * 2/2001 Gershfeld D13/139.4

(Continued)

Primary Examiner Ian Simmons
Assistant Examiner — Rhea Shields

1 Claim, 6 Drawing Sheets



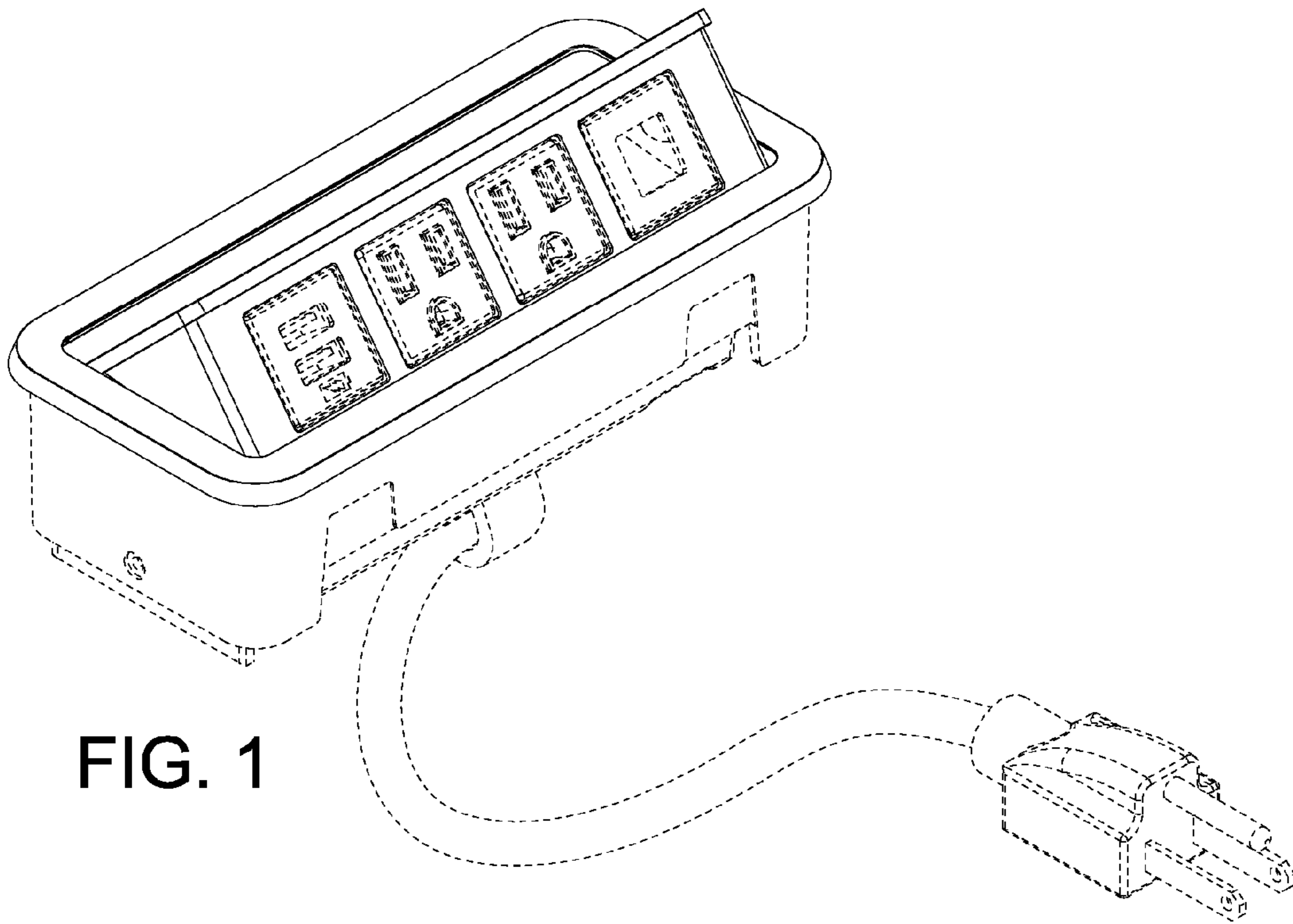


FIG. 1

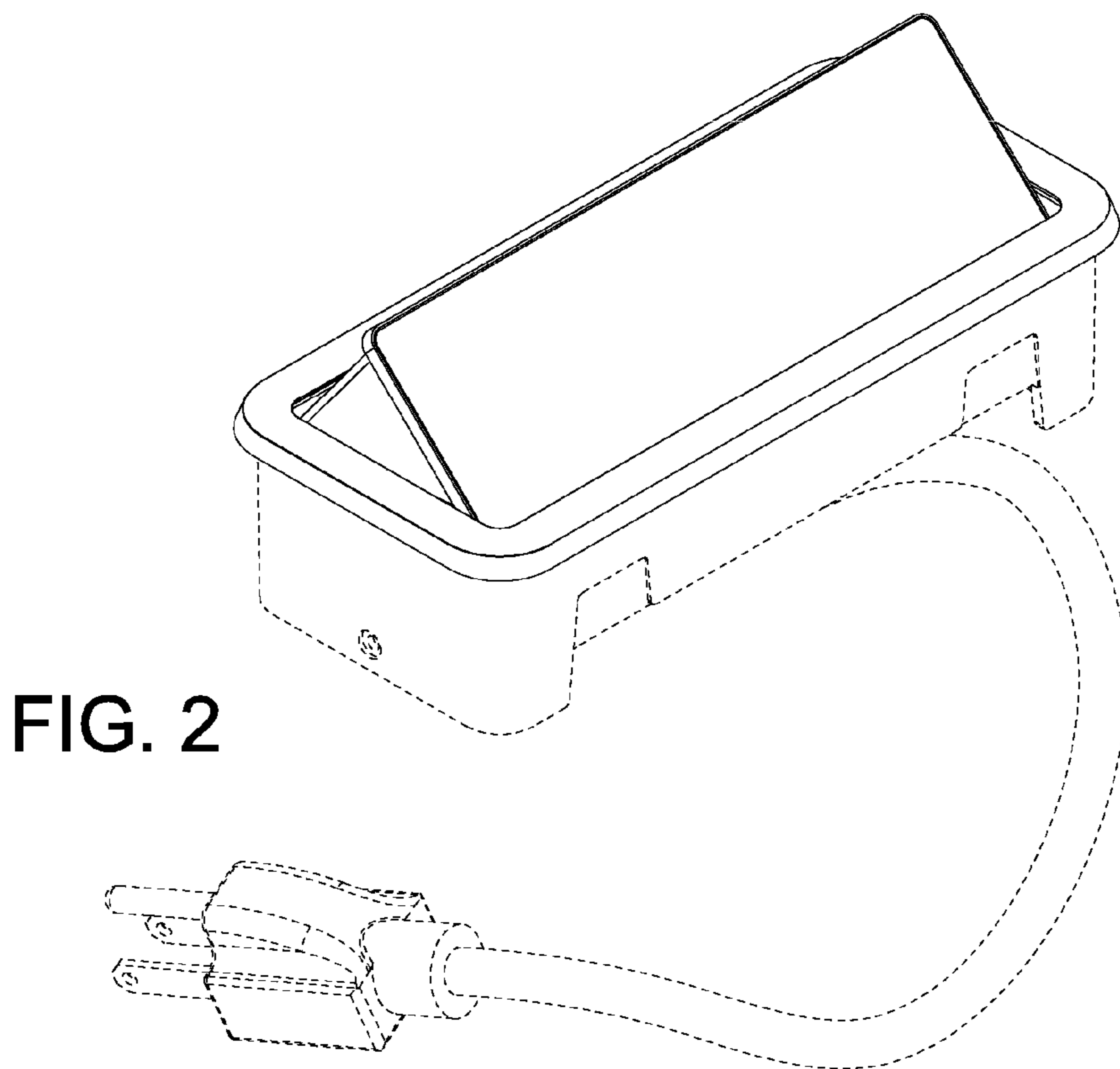


FIG. 2

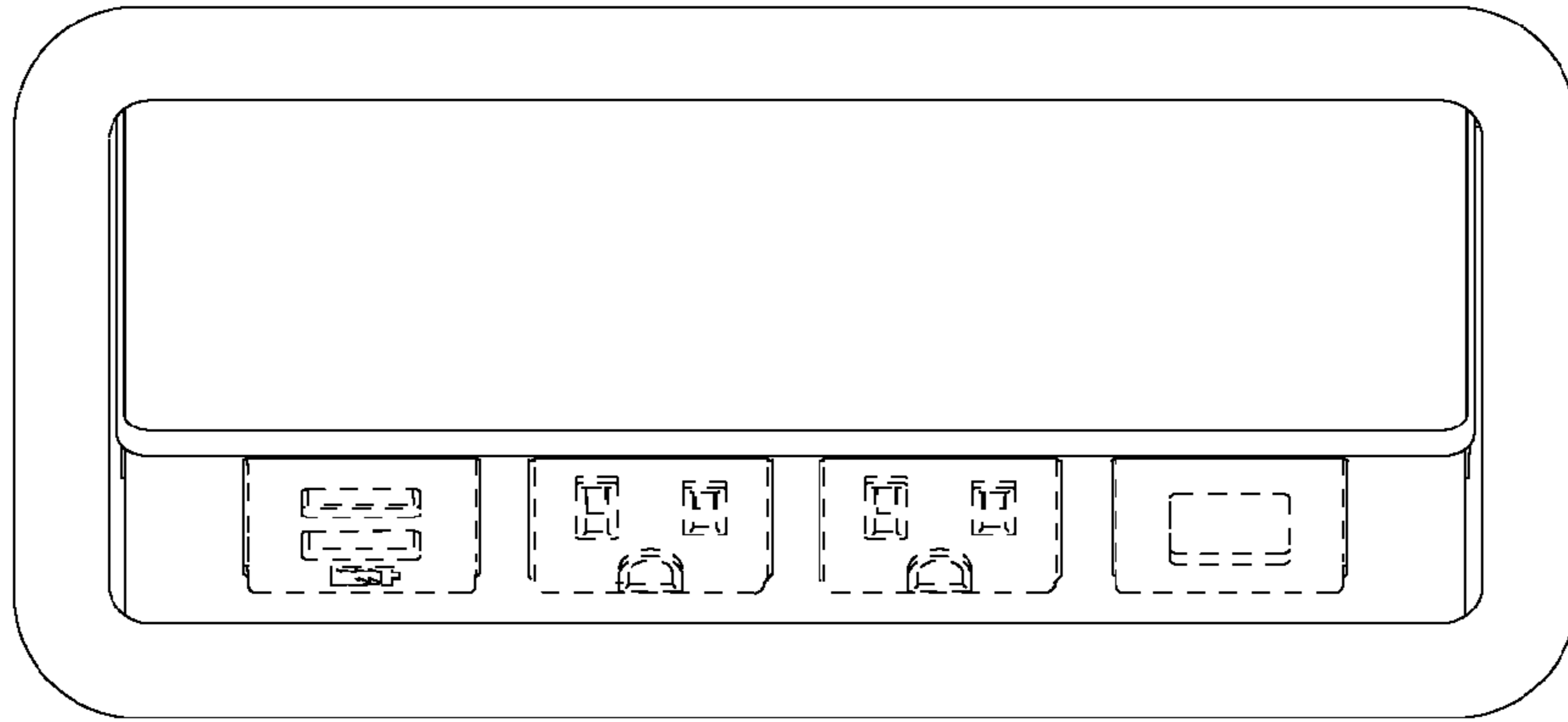


FIG. 3

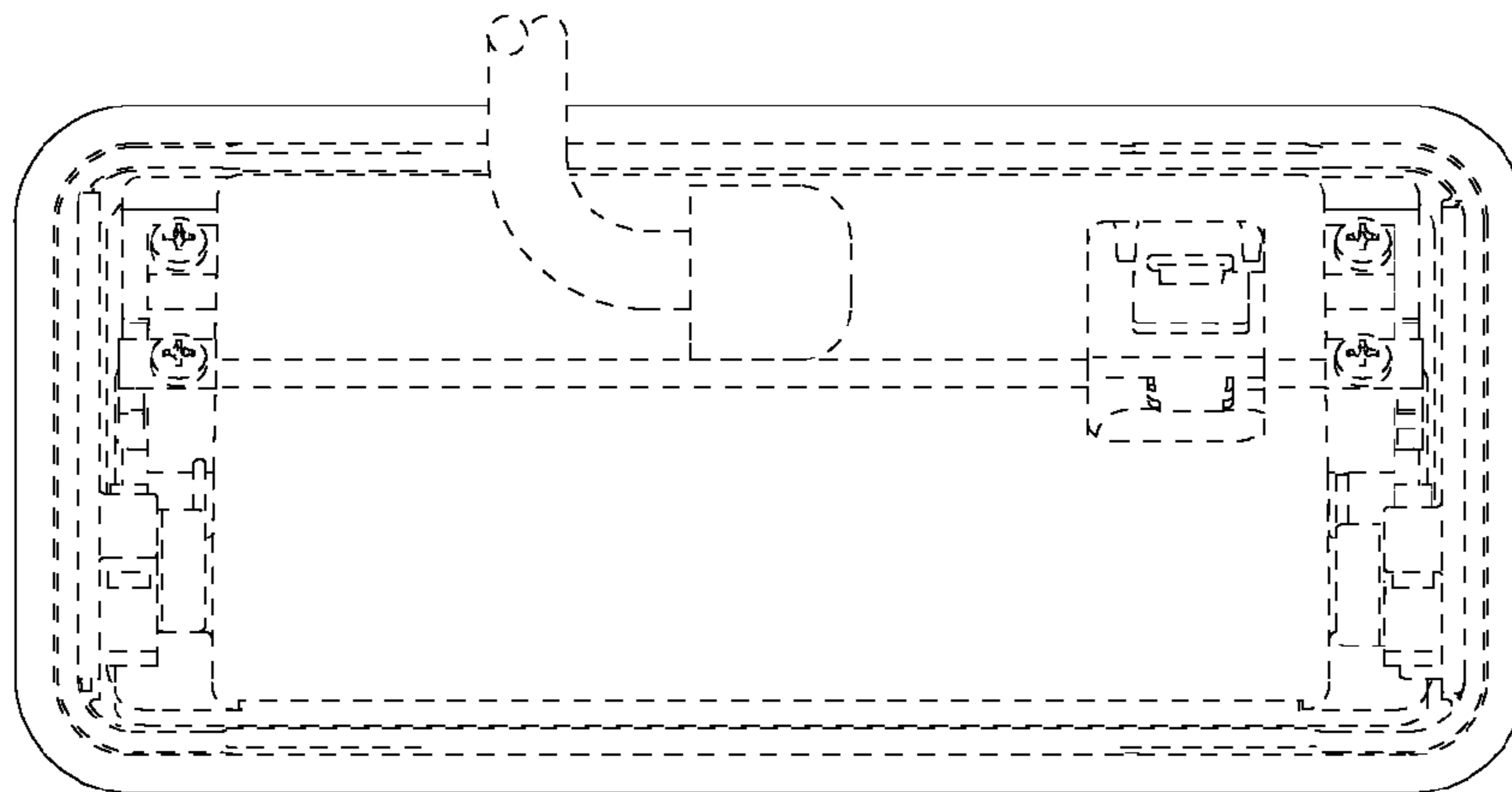


FIG. 4

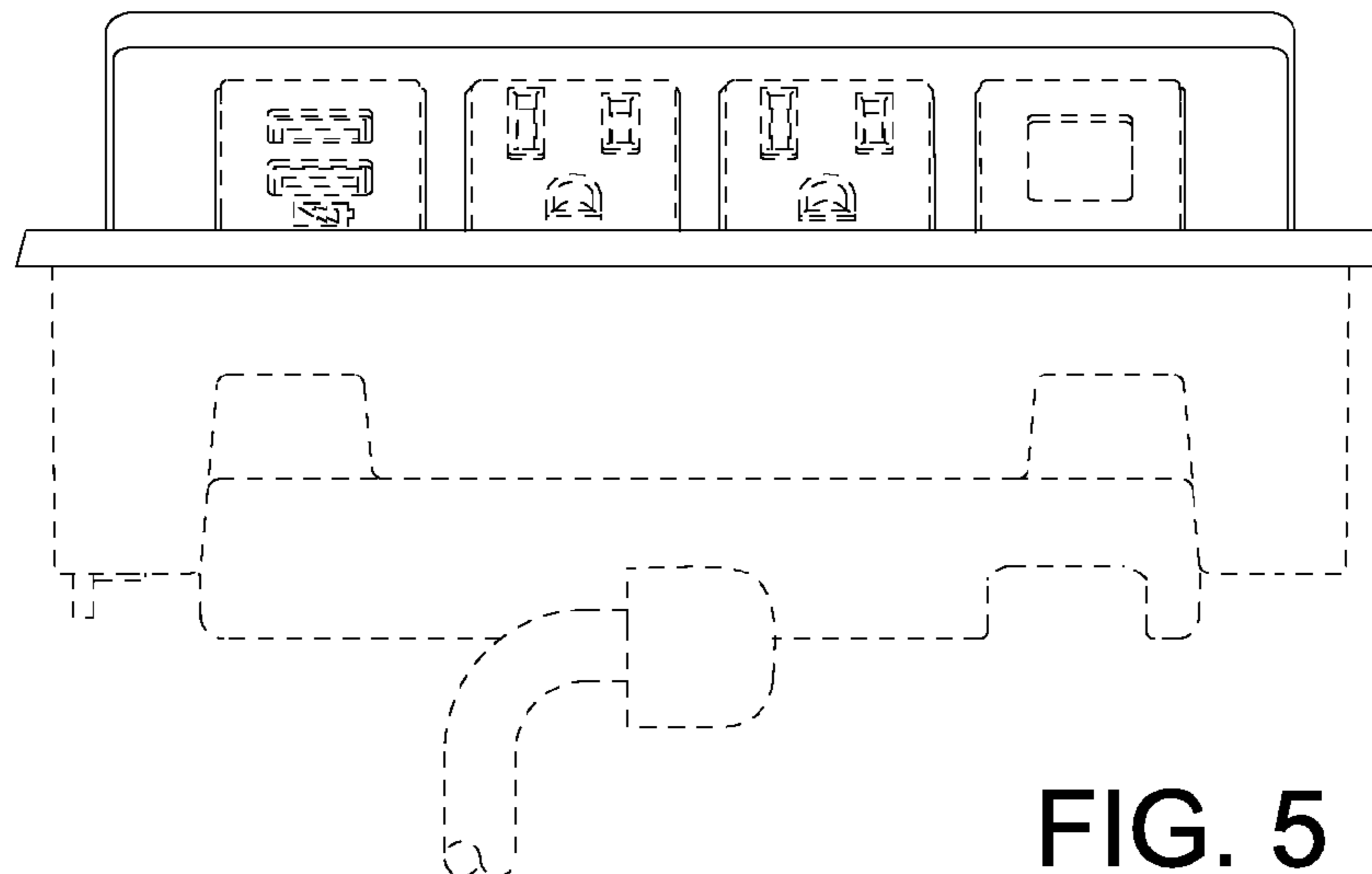


FIG. 5

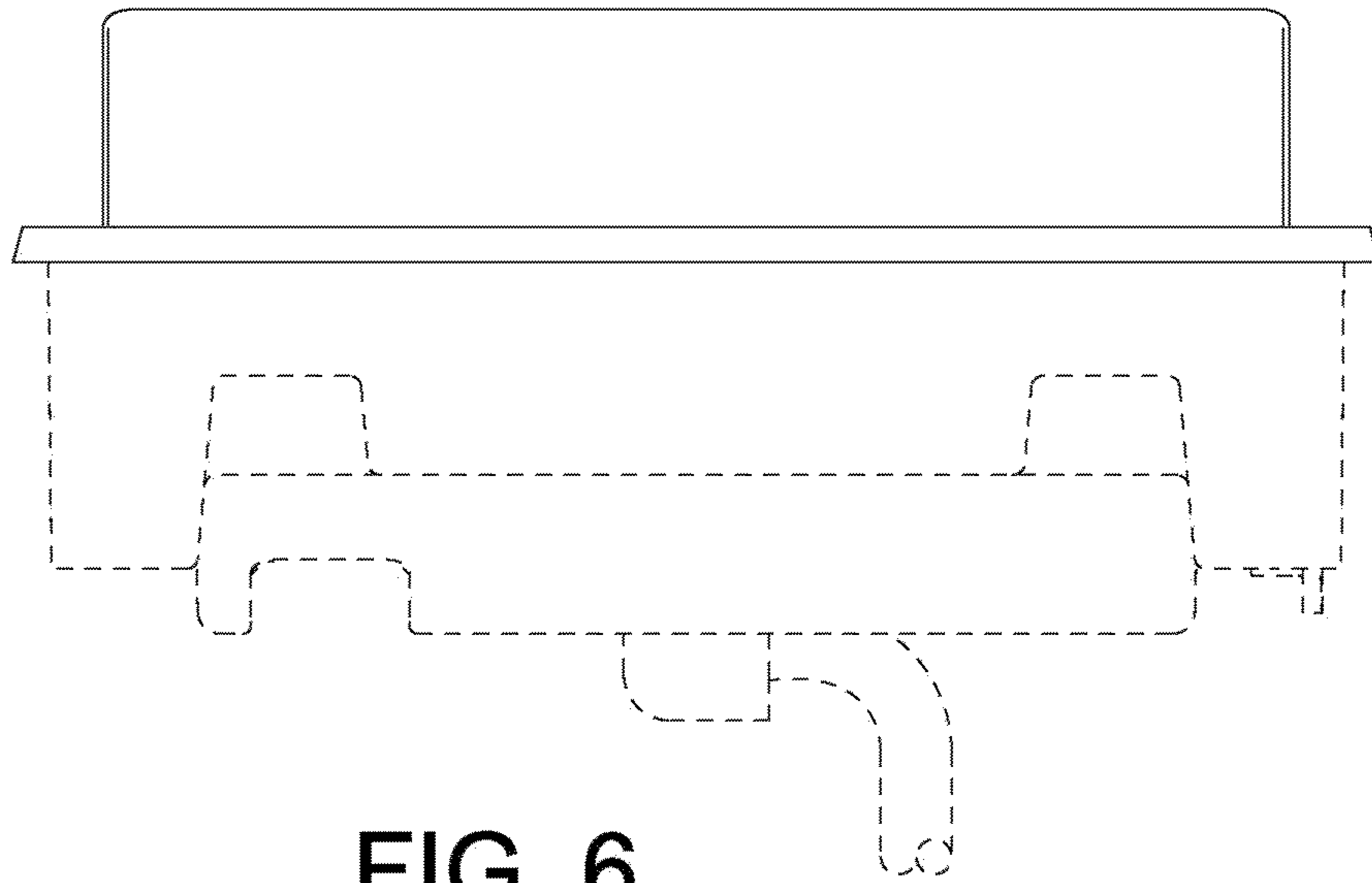


FIG. 6

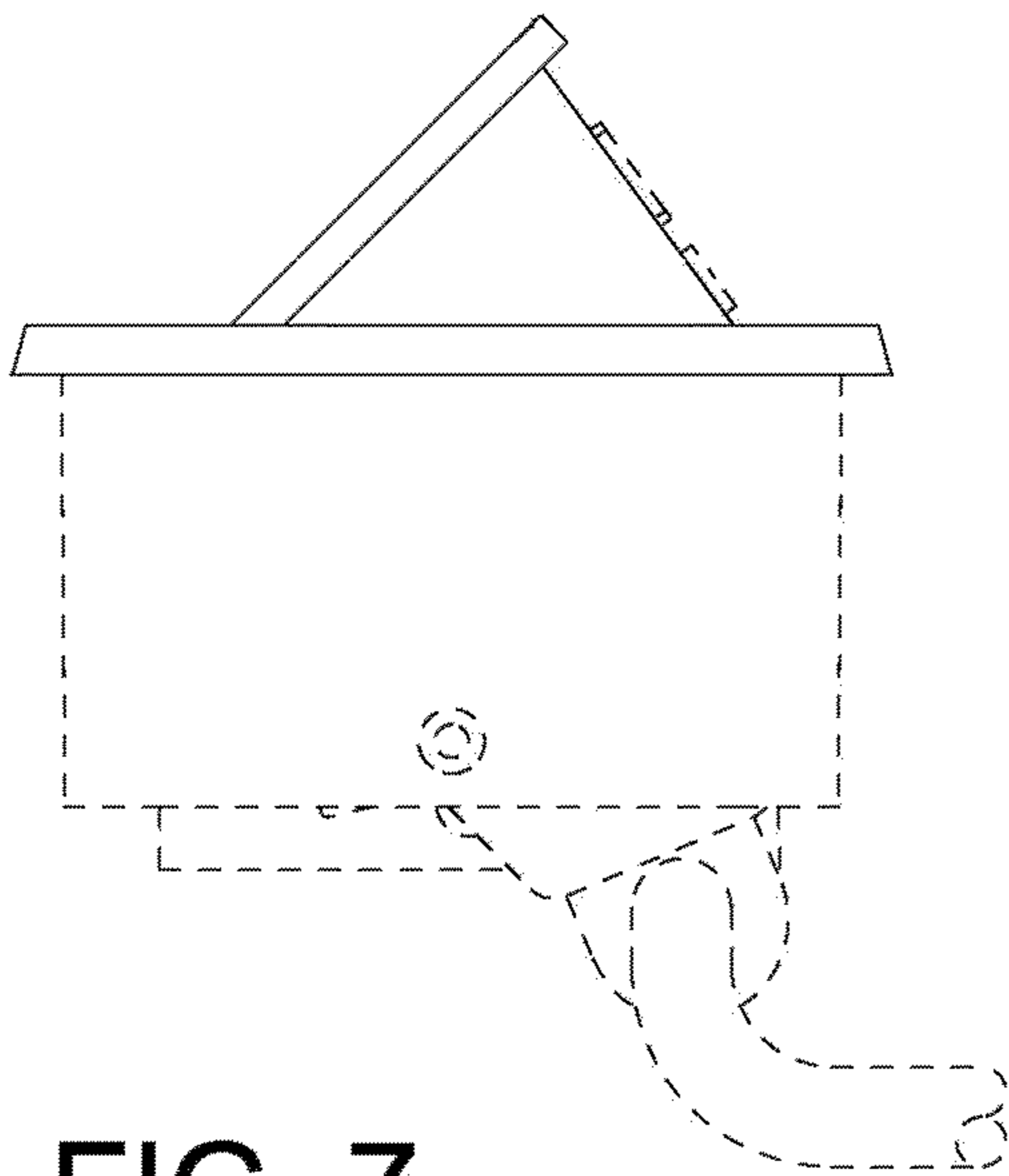


FIG. 7

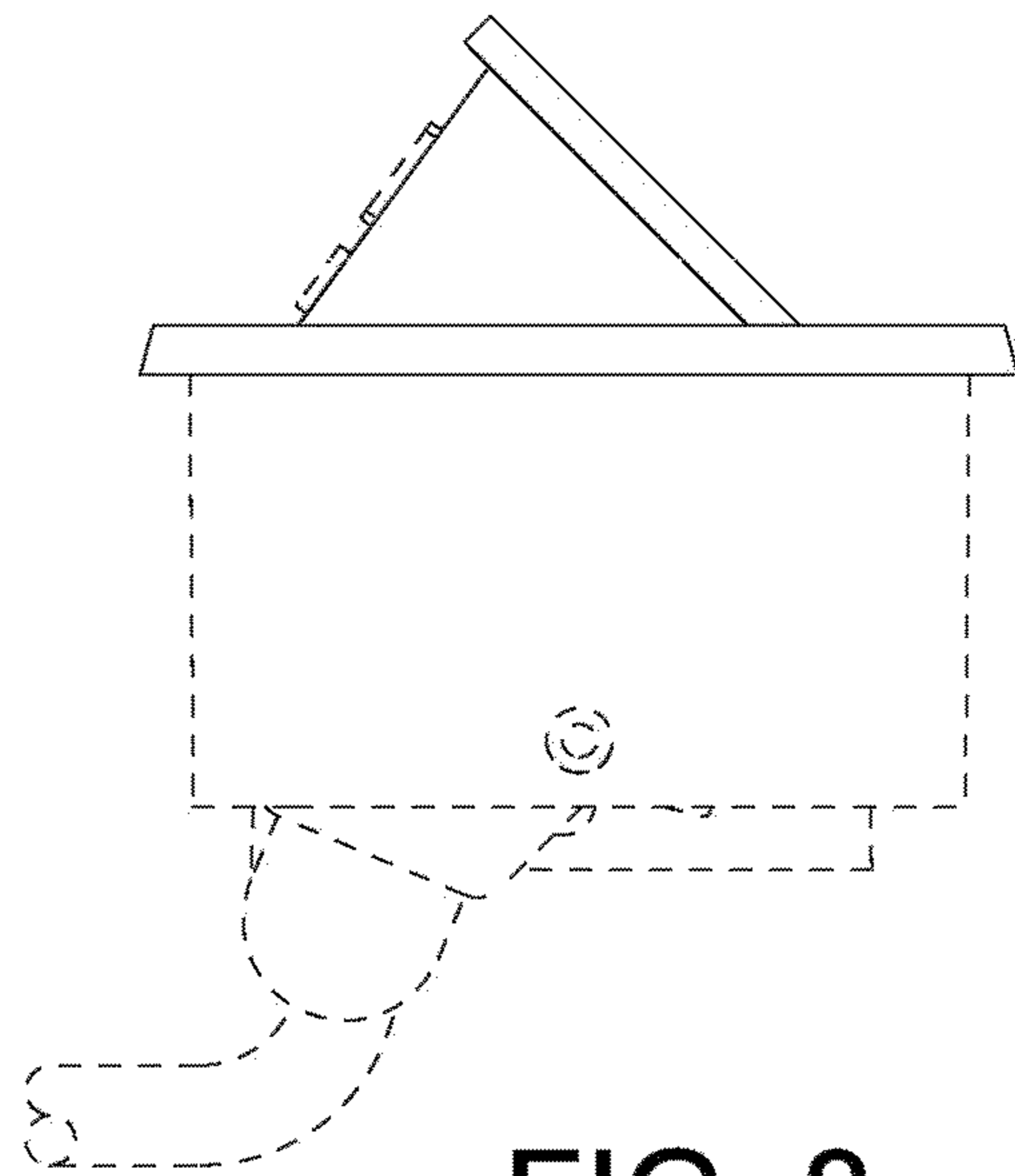


FIG. 8

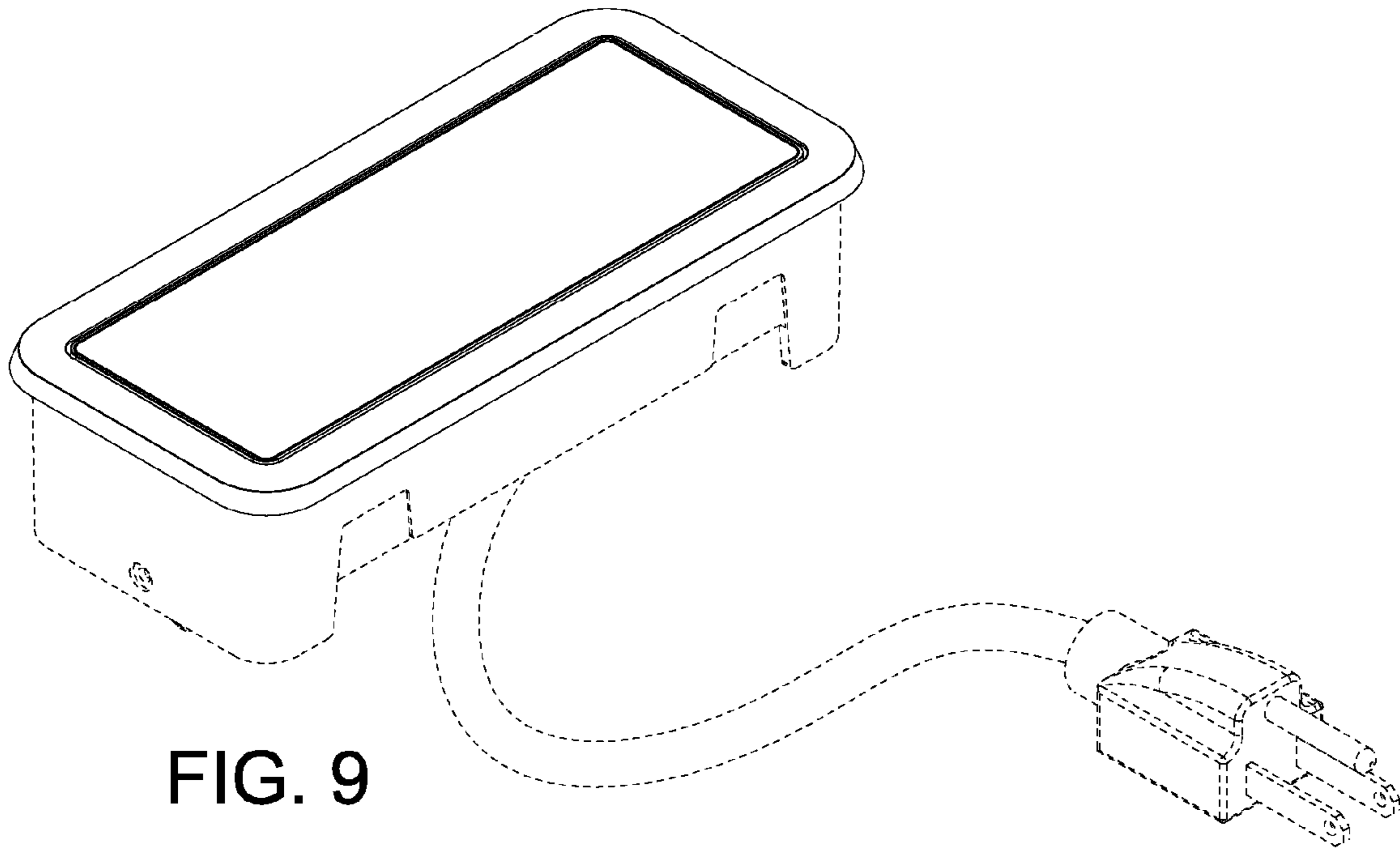


FIG. 9

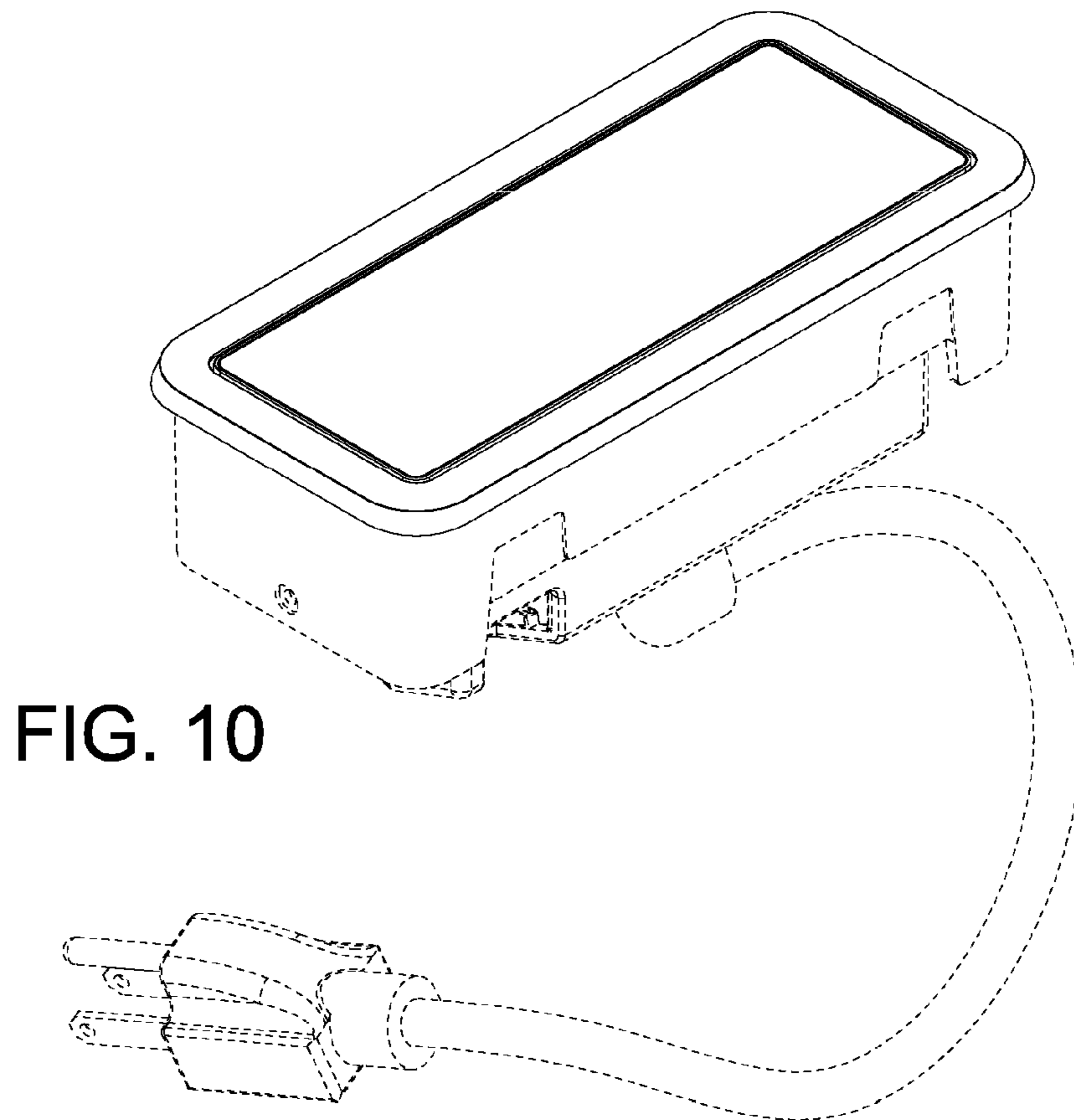


FIG. 10

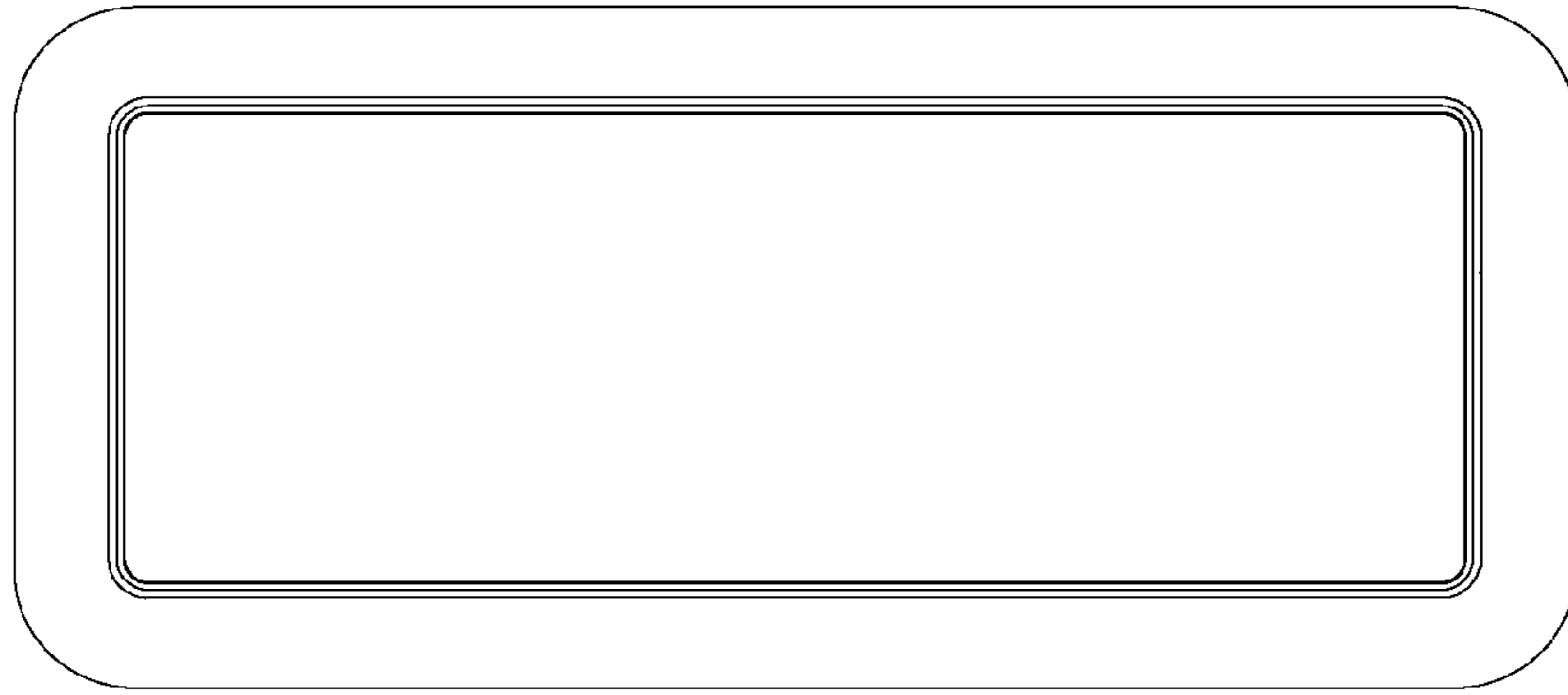


FIG. 11

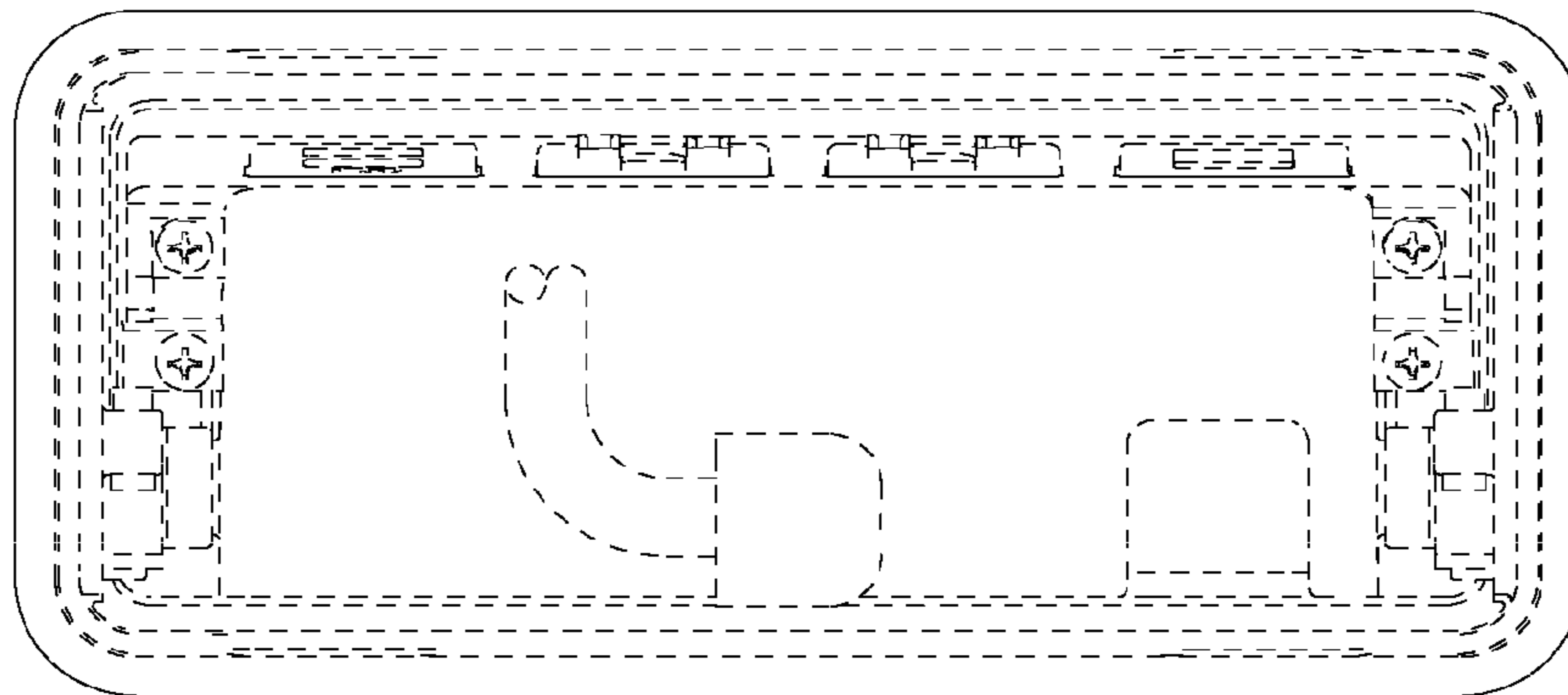


FIG. 12

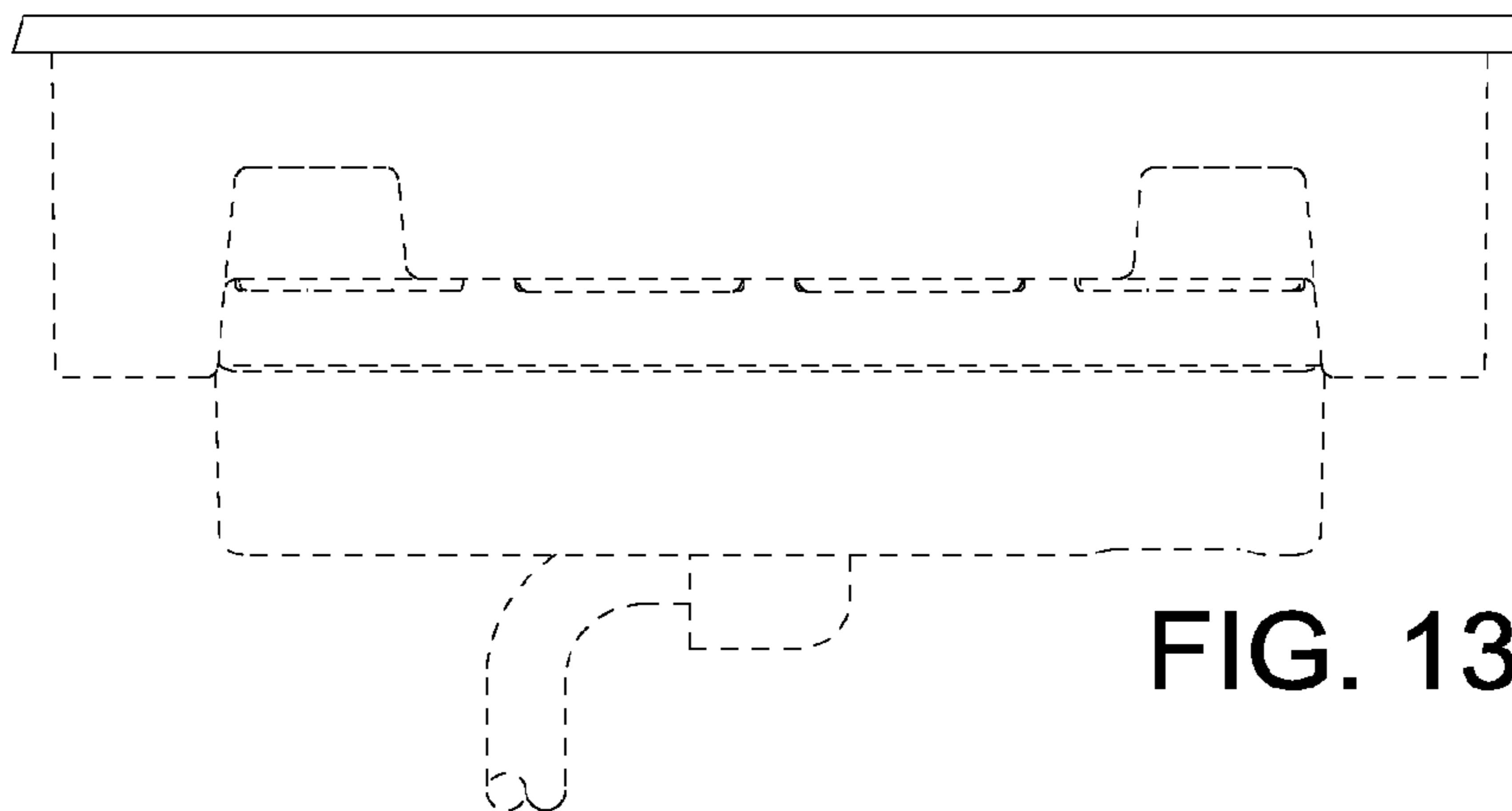


FIG. 13

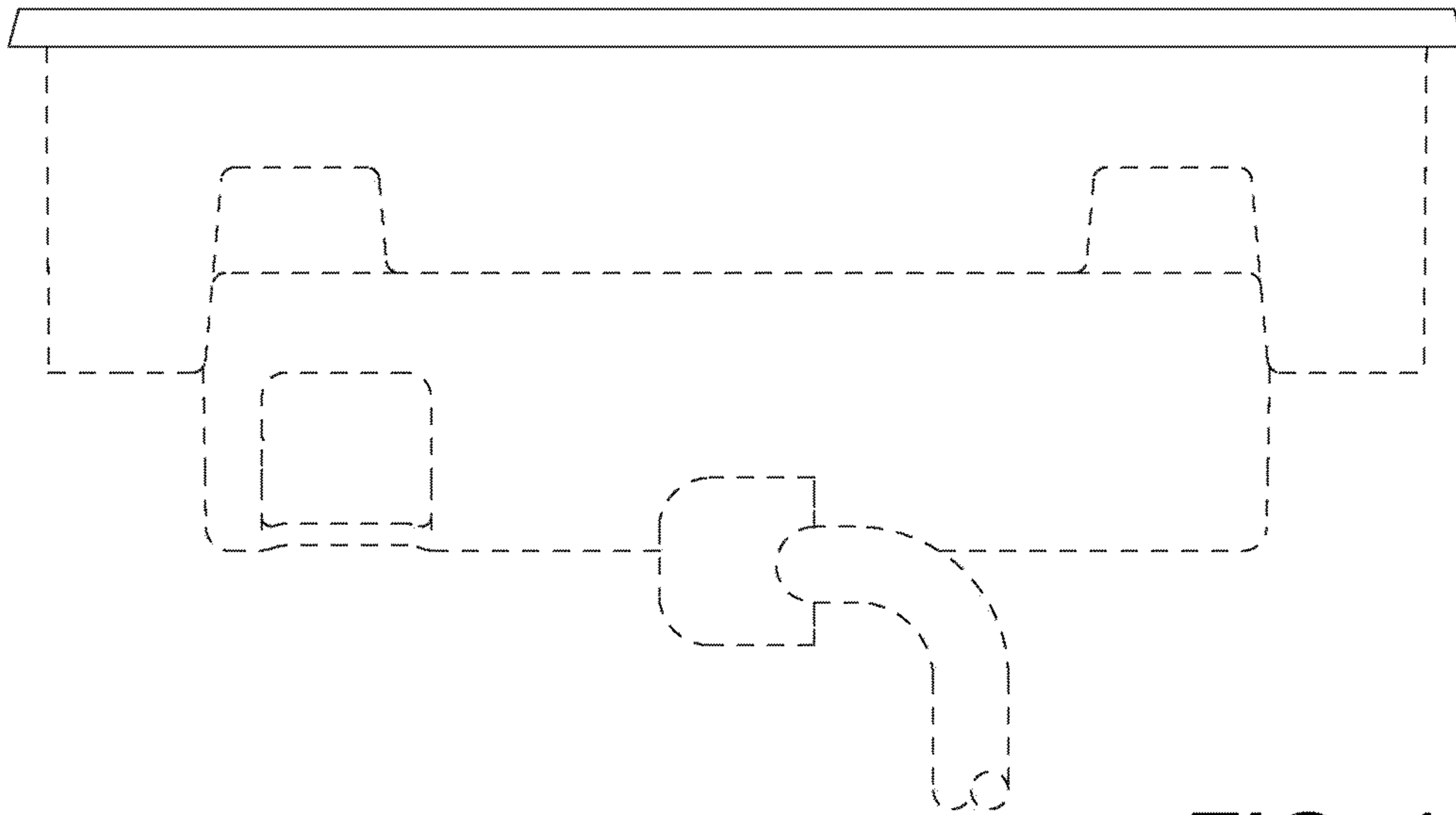


FIG. 14

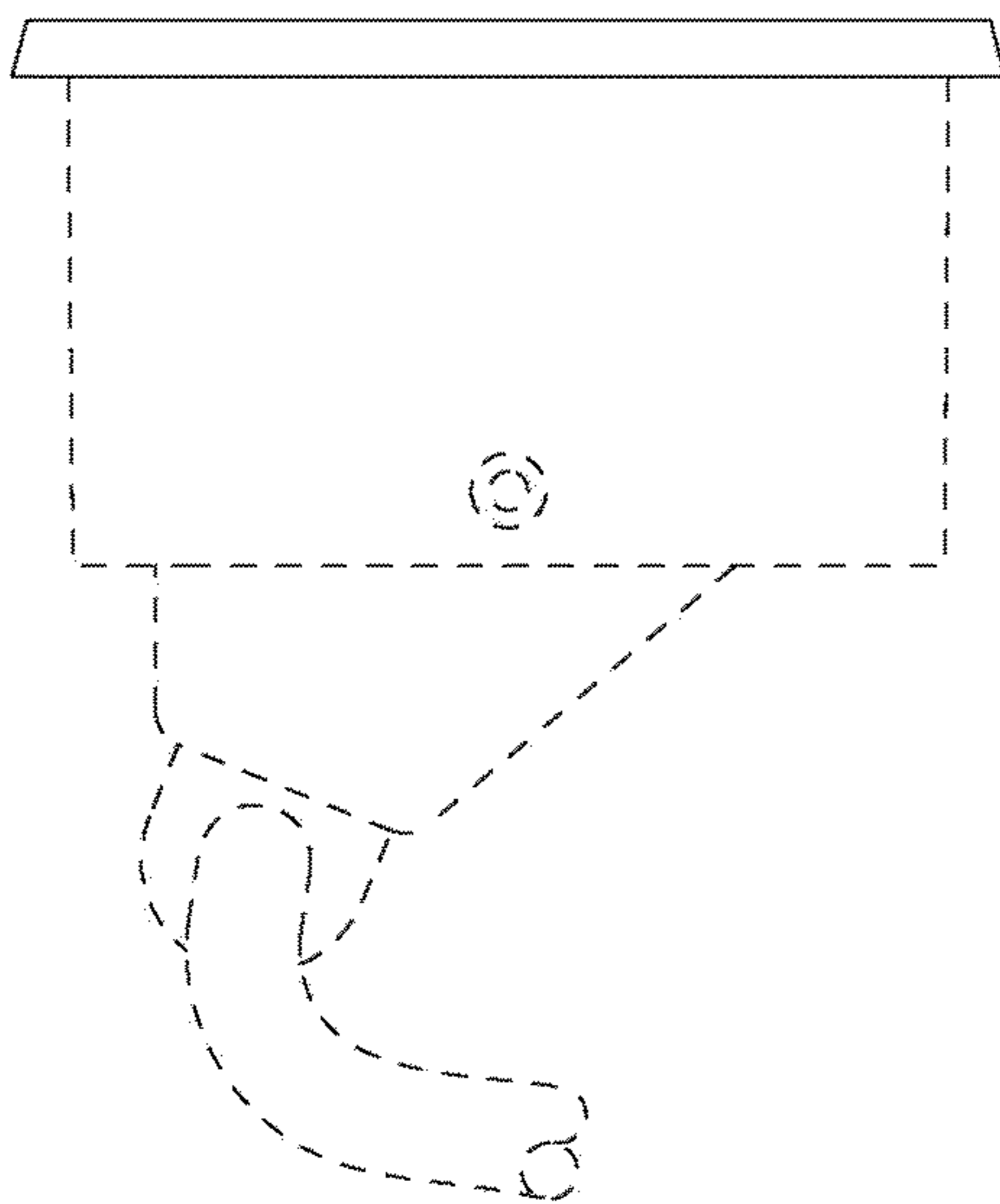


FIG. 15

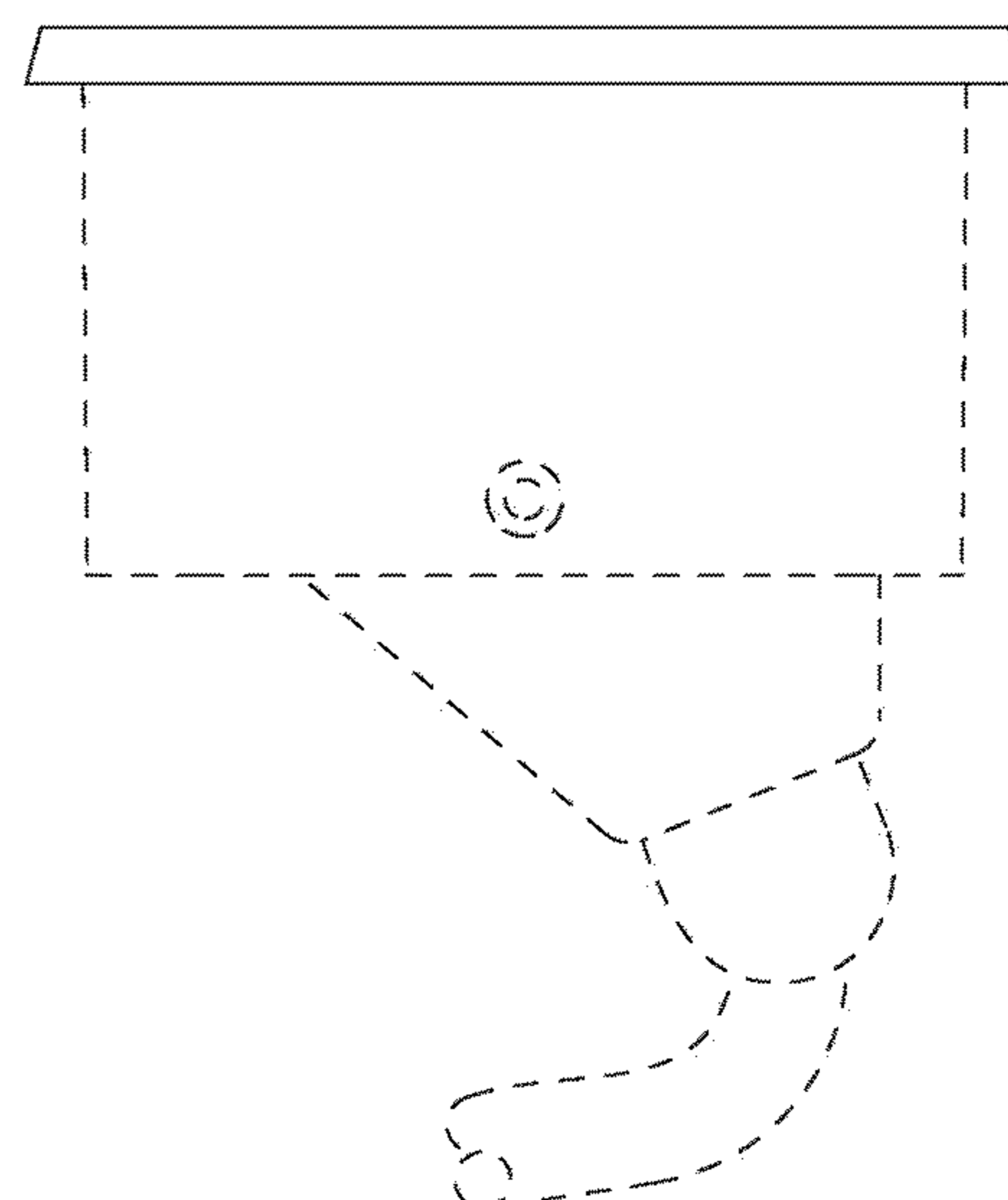


FIG. 16