



US00D716230S

(12) **United States Design Patent**
Onishi et al.

(10) **Patent No.:** **US D716,230 S**

(45) **Date of Patent:** **** Oct. 28, 2014**

(54) **RECTIFIER OF AC GENERATOR FOR VEHICLE**

(56) **References Cited**

U.S. PATENT DOCUMENTS

(71) Applicant: **Mitsubishi Electric Corporation**,
Tokyo (JP)

(72) Inventors: **Toshiyuki Onishi**, Tokyo (JP);
Kazunori Tanaka, Tokyo (JP); **Yoshiro Imazawa**, Tokyo (JP)

(73) Assignee: **Mitsubishi Electric Corporation**,
Tokyo (JP)

5,043,614	A *	8/1991	Yockey	310/68 D
5,640,062	A *	6/1997	Yockey	310/68 D
D384,033	S *	9/1997	Takeda et al.	D13/114
5,729,063	A *	3/1998	Adachi et al.	310/68 D
6,205,024	B1 *	3/2001	Shih et al.	361/704
D448,729	S *	10/2001	Asao et al.	D13/122
6,661,662	B2 *	12/2003	DeNardis	361/709
6,707,691	B2 *	3/2004	Bradfield	363/145
6,995,486	B2 *	2/2006	Bradfield et al.	310/68 D
D577,670	S *	9/2008	Oohashi et al.	D13/113
7,505,273	B2 *	3/2009	Braun et al.	361/709
D621,416	S *	8/2010	Miyaji et al.	D15/5

* cited by examiner

(**) Term: **14 Years**

Primary Examiner — Derrick Holland

(21) Appl. No.: **29/476,202**

(74) *Attorney, Agent, or Firm* — Sughrue Mion, PLLC

(22) Filed: **Dec. 12, 2013**

(57) **CLAIM**

The ornamental design for a rectifier of AC generator for vehicle, as shown and described.

(30) **Foreign Application Priority Data**

DESCRIPTION

Sep. 3, 2013 (JP) 2013-020309

(51) **LOC (10) Cl.** **13-01**

(52) **U.S. Cl.**

USPC **D13/122**

(58) **Field of Classification Search**

USPC D13/122, 101, 110, 112, 113, 114, 118,
D13/184, 199; D15/1, 3, 5, 199; 310/68 C,
310/68 D, 68 R, 85; 361/688, 692, 693;
363/144, 145

FIG. 1 is a perspective view of the front, right, and top side of a rectifier of AC generator for vehicle showing our new design;

FIG. 2 is a front view thereof;

FIG. 3 is a rear view thereof;

FIG. 4 is a left side view thereof;

FIG. 5 is a right side view thereof;

FIG. 6 is a top plan view thereof; and,

FIG. 7 is a bottom view thereof.

The broken lines shown represent unclaimed subject matter and form no part of the claimed design.

See application file for complete search history.

1 Claim, 5 Drawing Sheets

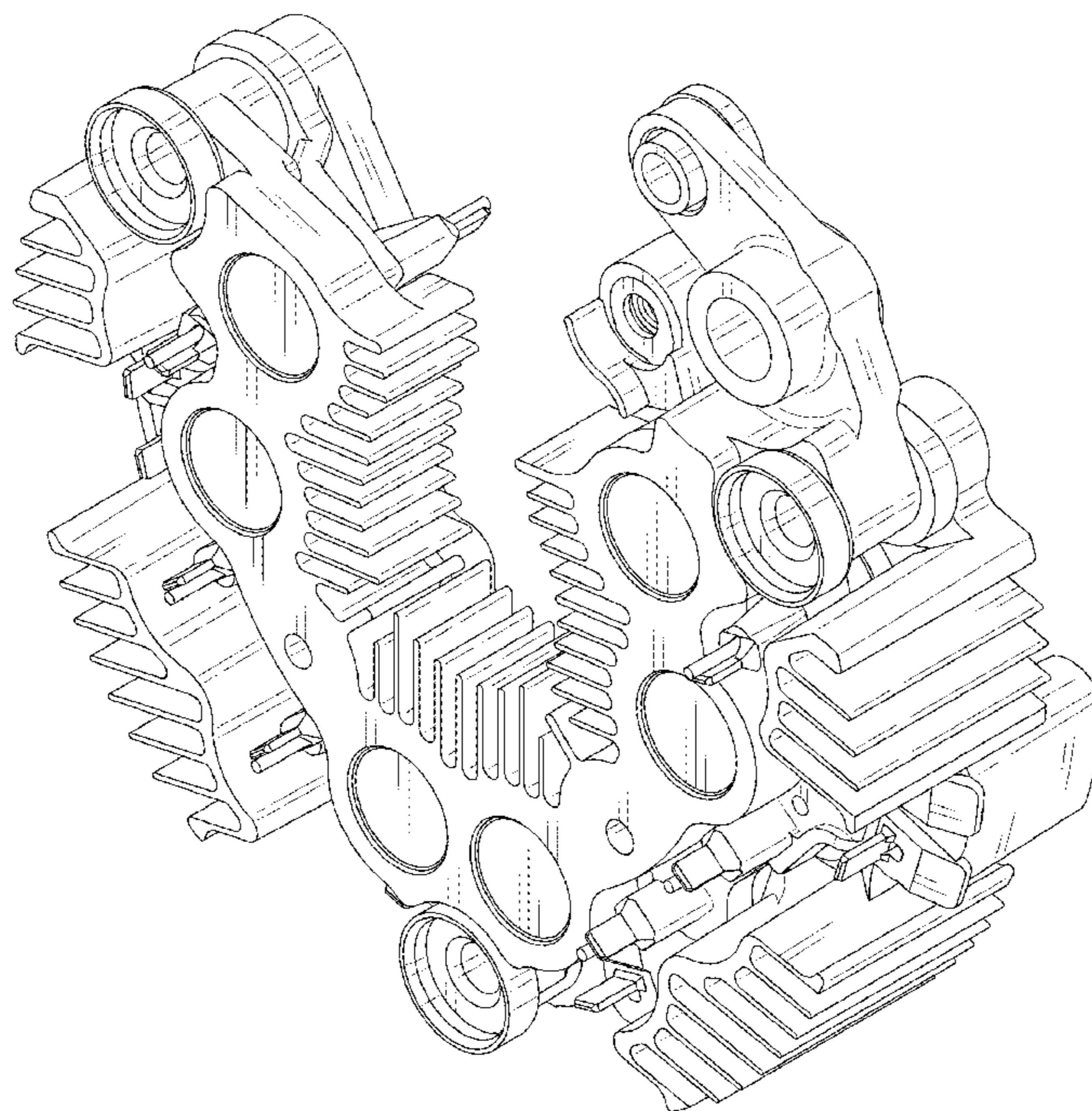


Fig. 1

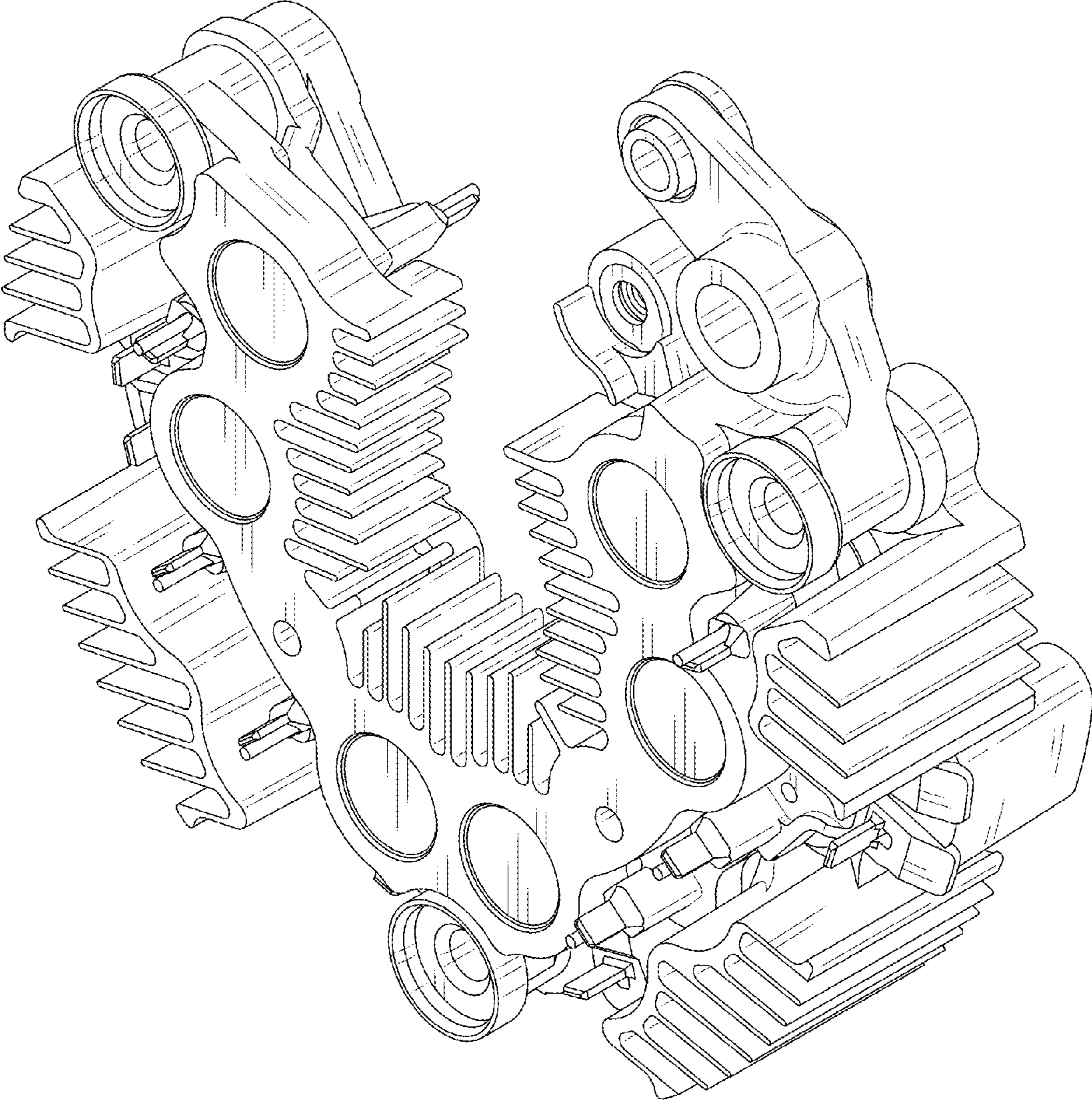


Fig. 2

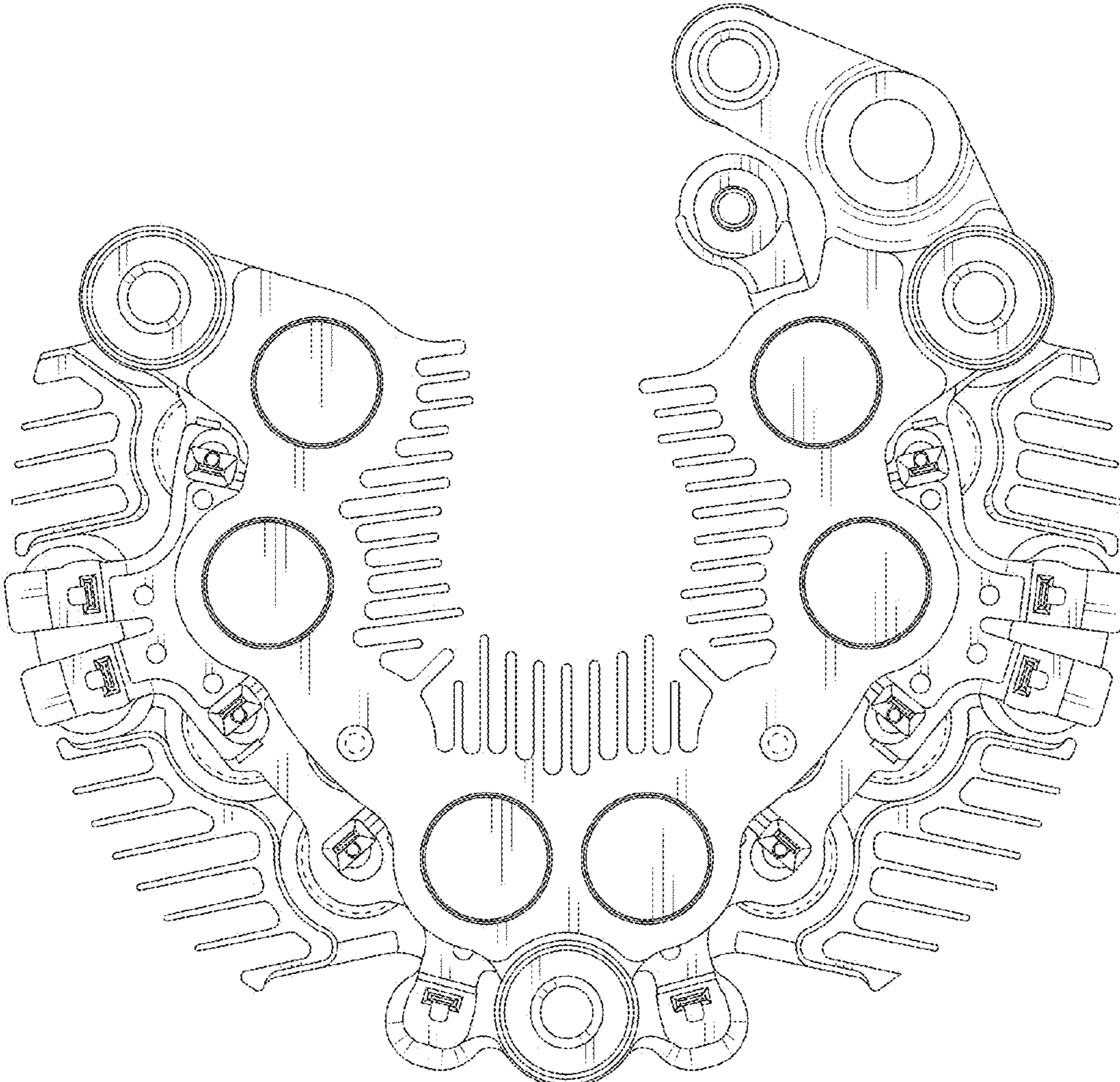


Fig. 3

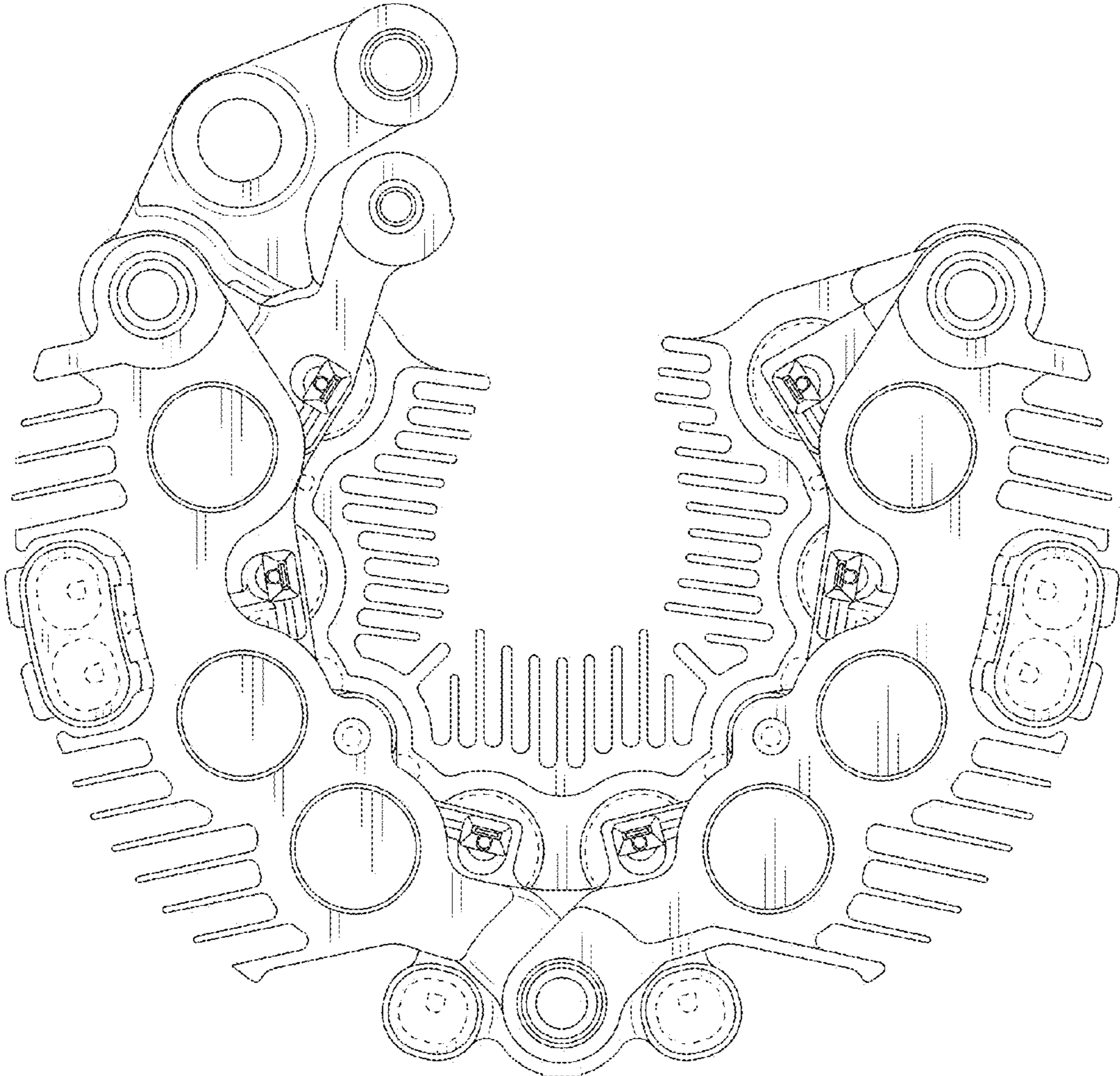


Fig. 4

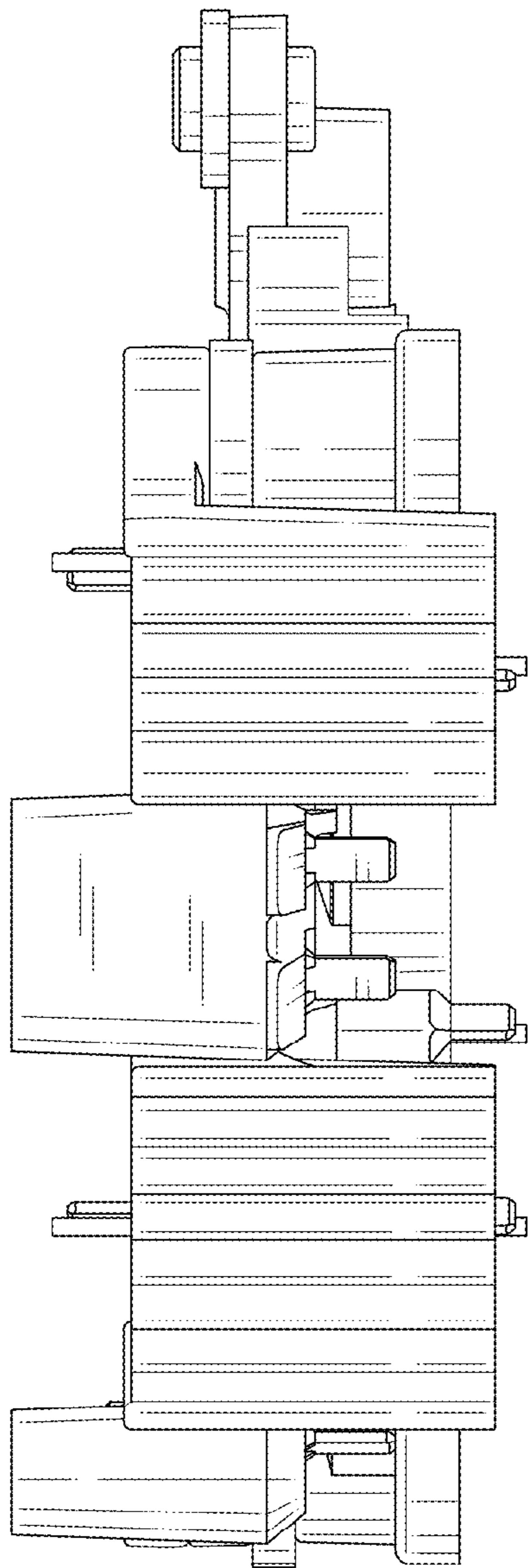


Fig. 5

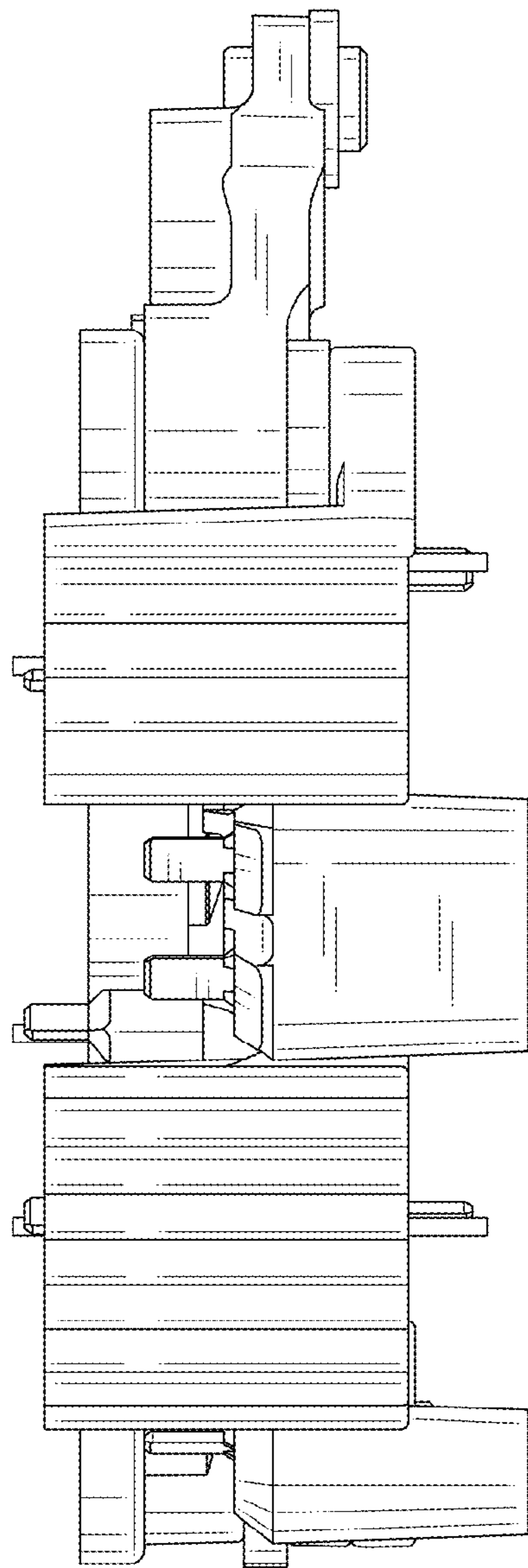


Fig. 6

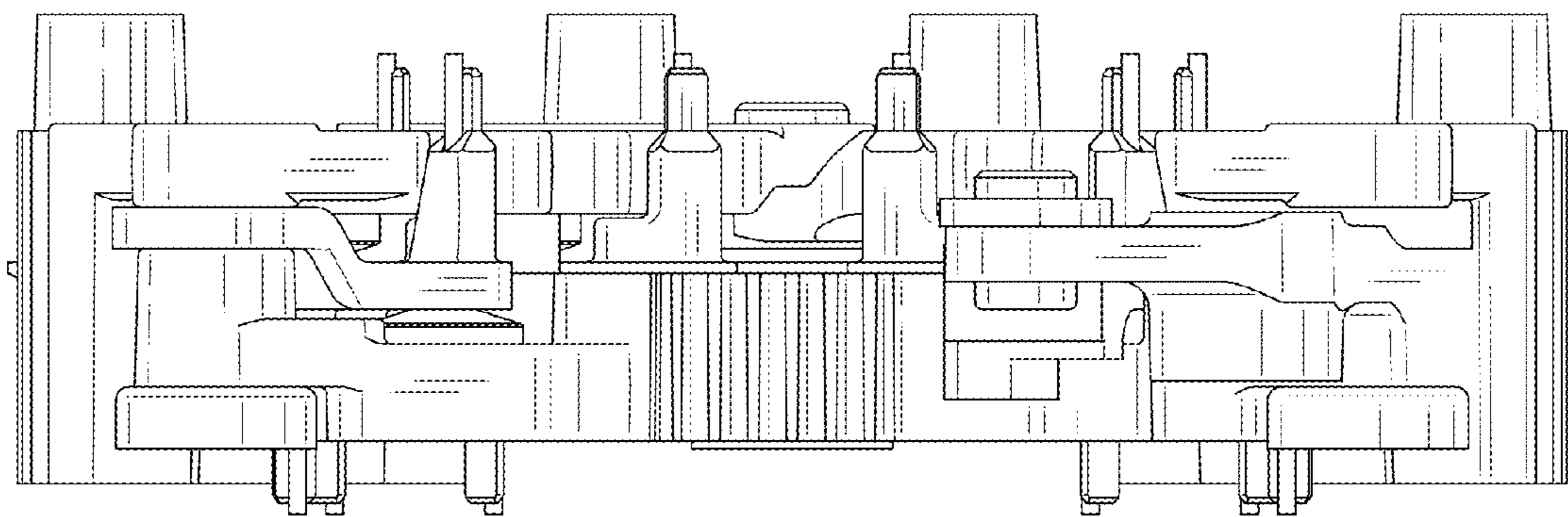


Fig. 7

