



US00D716228S

(12) **United States Design Patent**  
**McCamley**

(10) **Patent No.:** **US D716,228 S**

(45) **Date of Patent:** **\*\* Oct. 28, 2014**

(54) **WIND TURBINE**

(75) Inventor: **Andrew Stuart John McCamley,**  
Lyaskovets (BG)

(73) Assignee: **McCamley Ltd.** (BG)

(\*\*) Term: **14 Years**

(21) Appl. No.: **29/417,536**

(22) Filed: **Apr. 4, 2012**

(51) **LOC (10) Cl.** ..... **13-01**

(52) **U.S. Cl.**  
USPC ..... **D13/115**

(58) **Field of Classification Search**

CPC ..... F03D 1/06; F03D 1/0608; F03D 1/0625;  
F03D 1/0633; F03D 1/0641; F03D 3/02;  
F03D 3/005; F03D 3/061; F03D 3/0409;  
F03D 7/0224; F03D 7/04; F03D 7/06; B63H  
1/06

USPC ..... D13/115, 101, 199; D15/1, 199;  
290/54, 55; 415/4.2, 41, 907; 416/23,  
416/24, 31, 37, 38, 51, 132 B, 132 R, 142,  
416/143, 151, 176, 183, 196 A, 197 A

See application file for complete search history.

(56) **References Cited**

**U.S. PATENT DOCUMENTS**

4,609,827 A \* 9/1986 Nepple ..... 290/44  
D338,871 S \* 8/1993 Carfagno ..... D13/115  
D511,323 S \* 11/2005 Kato et al. .... D13/115  
D511,495 S \* 11/2005 Okubo et al. .... D13/115  
7,344,353 B2 \* 3/2008 Naskali et al. .... 415/4.2  
D587,196 S \* 2/2009 Chong ..... D13/115

D598,376 S \* 8/2009 Cheung et al. .... D13/115  
7,591,635 B2 \* 9/2009 Ryu et al. .... 416/111  
D625,261 S \* 10/2010 Winkler et al. .... D13/115  
2008/0019833 A1 \* 1/2008 Martin ..... 416/132 B  
2008/0131281 A1 \* 6/2008 Kariya ..... 416/183

**FOREIGN PATENT DOCUMENTS**

WO WO2010109231 A2 9/2010

\* cited by examiner

*Primary Examiner* — Derrick Holland

(74) *Attorney, Agent, or Firm* — O'Connell Law Firm;  
Thomas P. O'Connell

(57) **CLAIM**

The ornamental design for a wind turbine, as shown and described.

**DESCRIPTION**

FIG. 1 is a top perspective view of a wind turbine showing my new design;

FIG. 2 is a bottom perspective view of the wind turbine of FIG. 1;

FIG. 3 is a view in front elevation of the wind turbine of FIG. 1 with the views in left, right, and rear elevation being mirror images thereof;

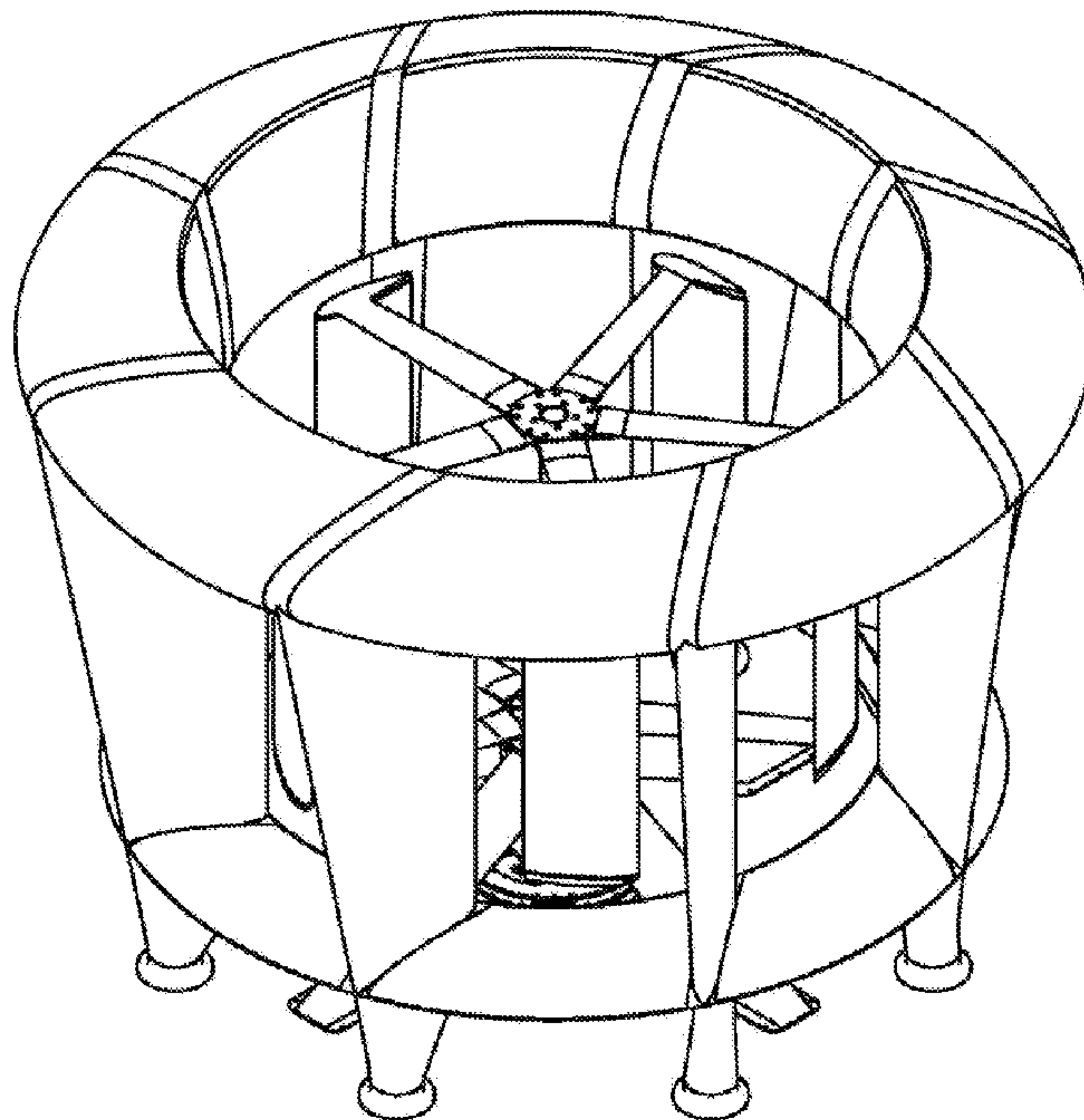
FIG. 4 is a top plan view of the wind turbine of FIG. 1;

FIG. 5 is a bottom plan view of the wind turbine of FIG. 1;

FIG. 6 is a perspective view of the rotor assembly separated from the wind turbine for ease of illustration; and,

FIG. 7 is a view in front elevation of the rotor assembly separated from the wind turbine for ease of illustration, with the views in left, right, and rear elevation being mirror images thereof.

**1 Claim, 4 Drawing Sheets**



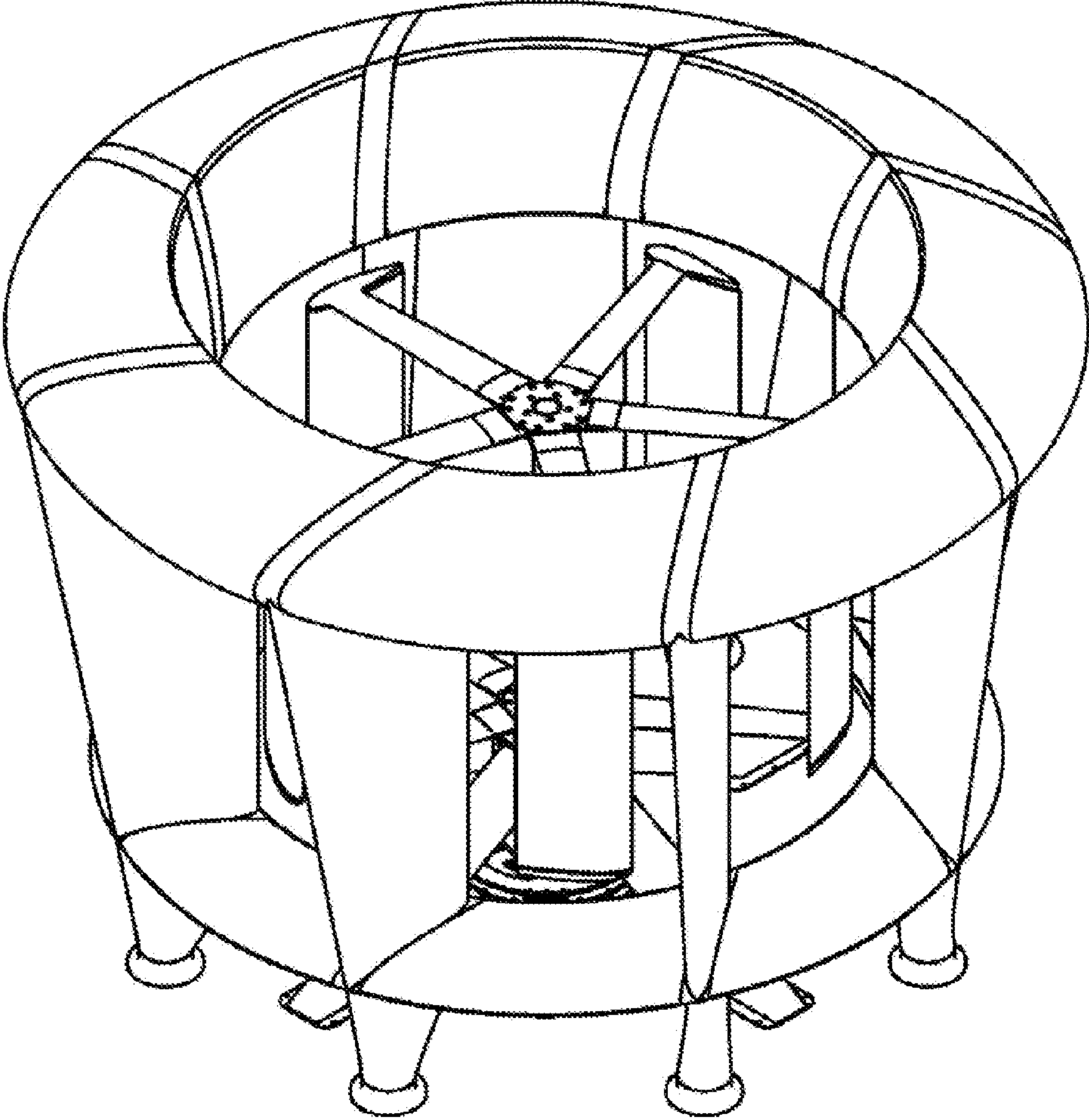


FIG. 1

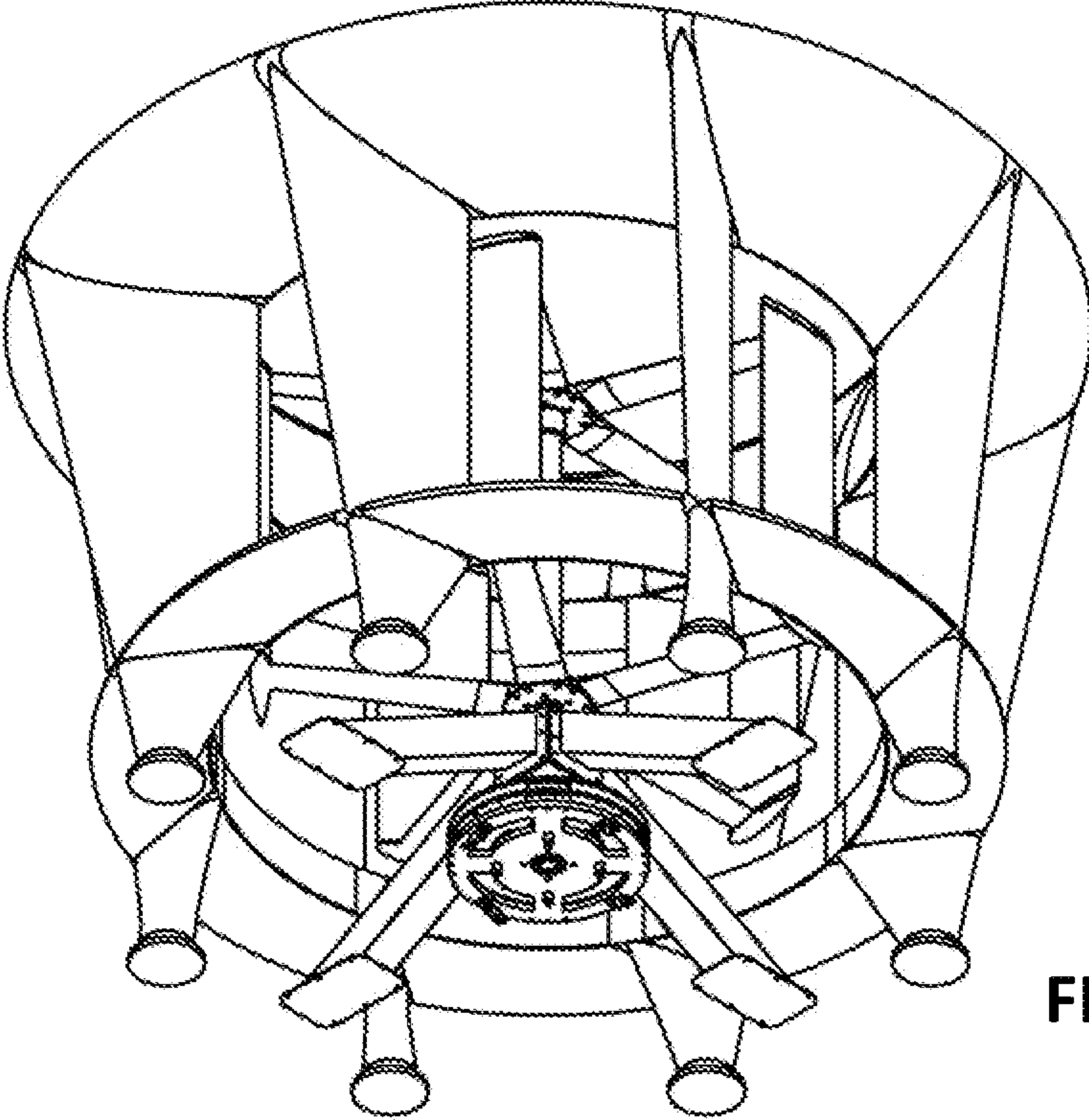


FIG. 2

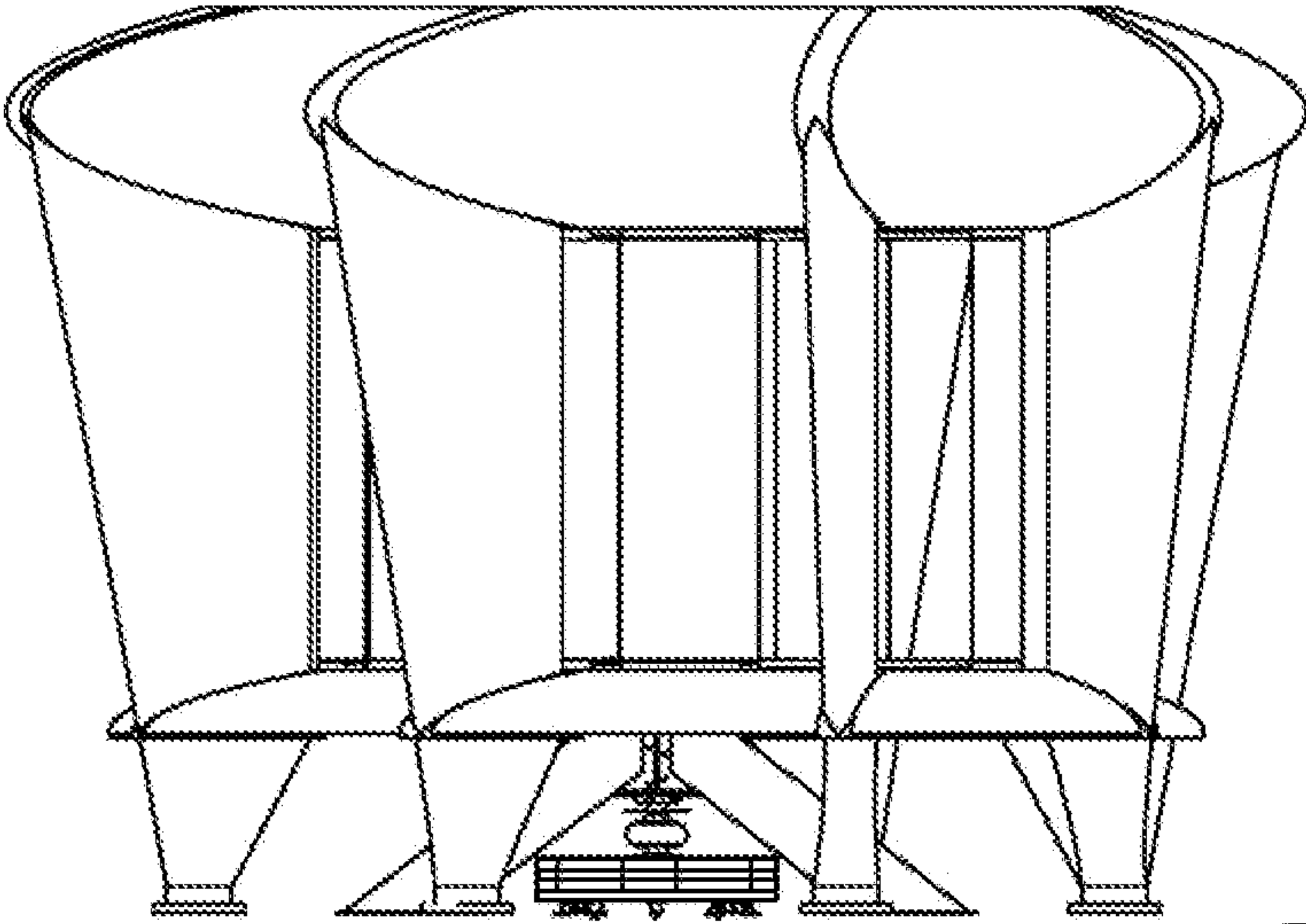


FIG. 3



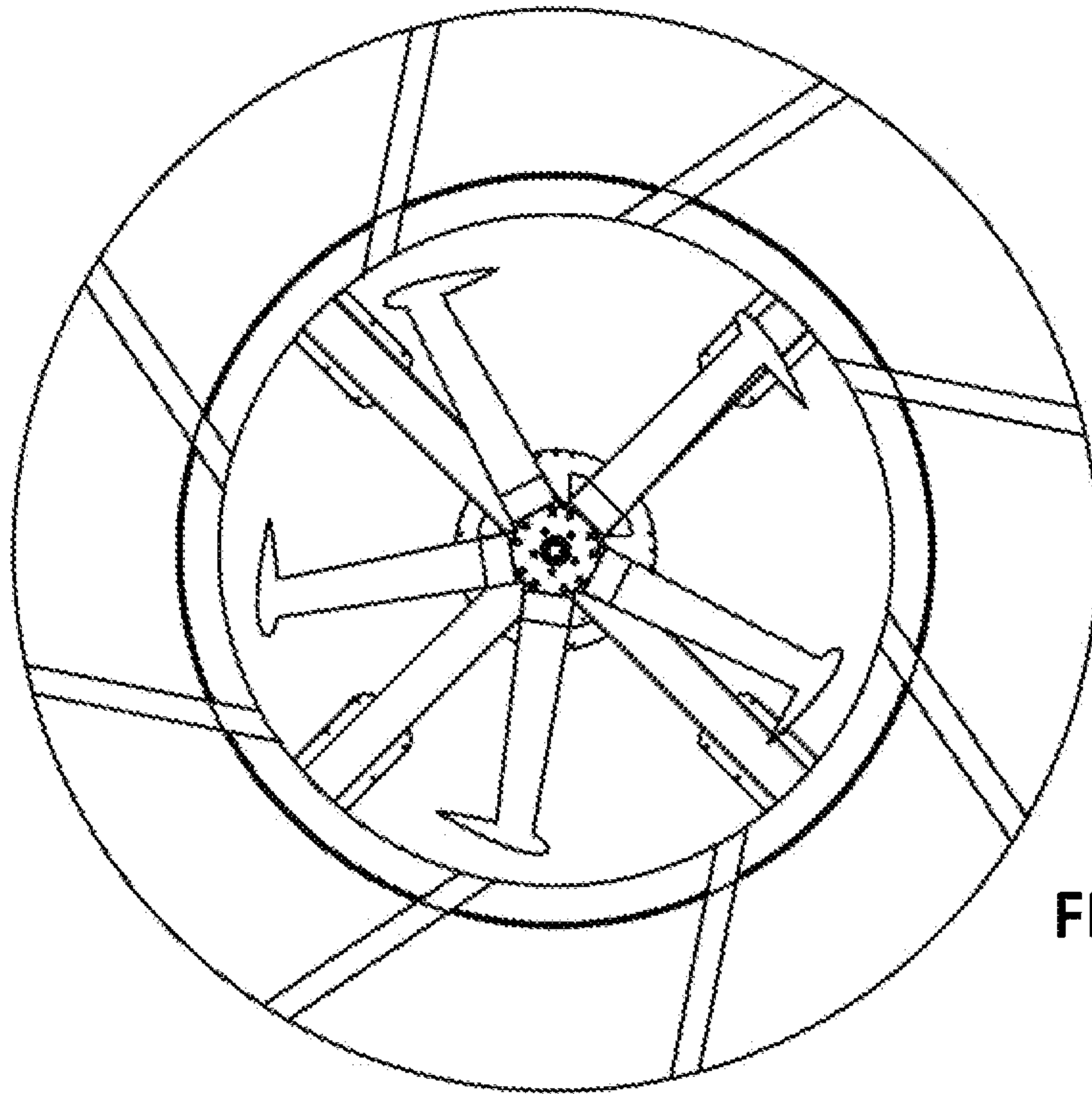


FIG. 4

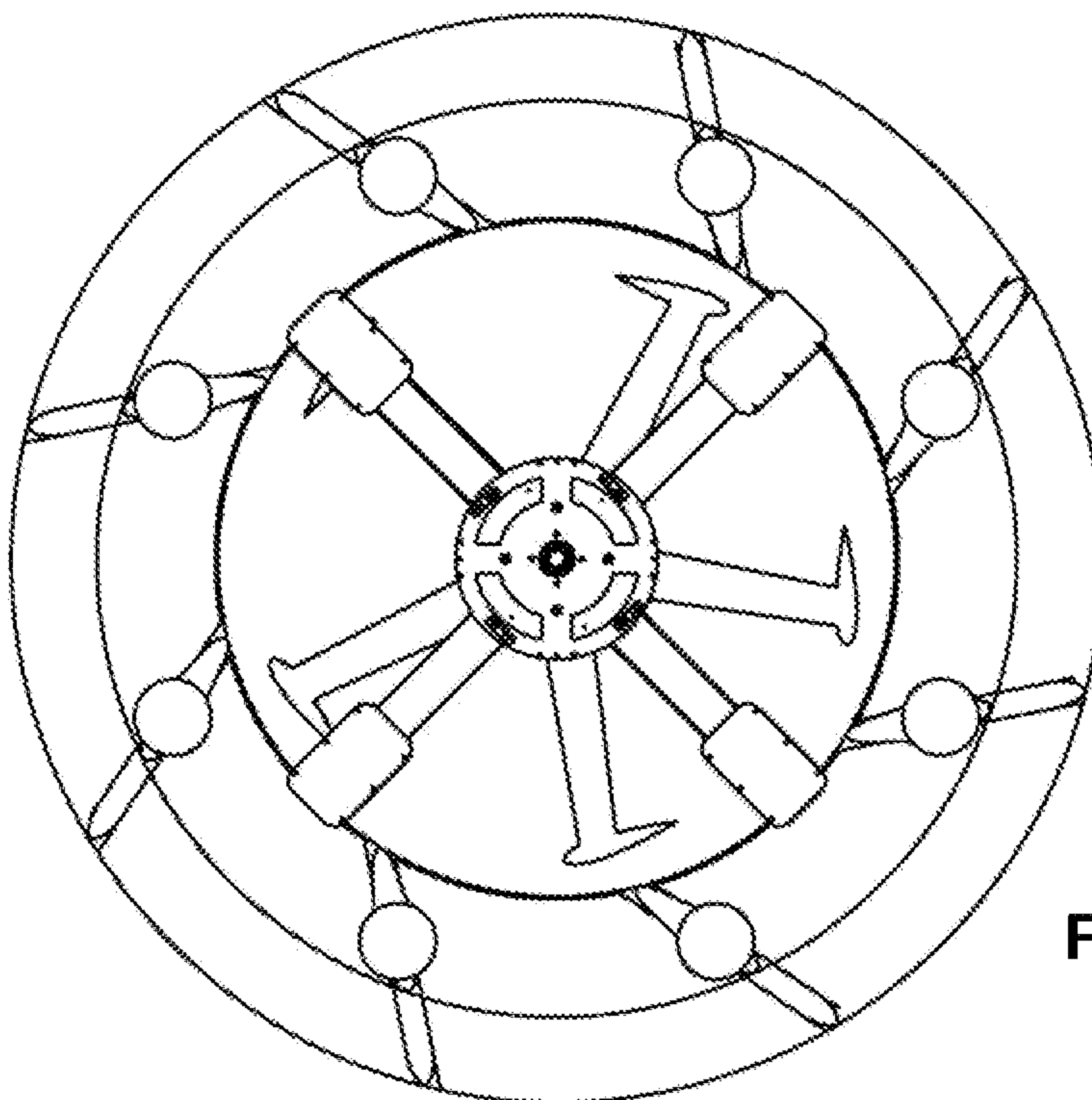


FIG. 5

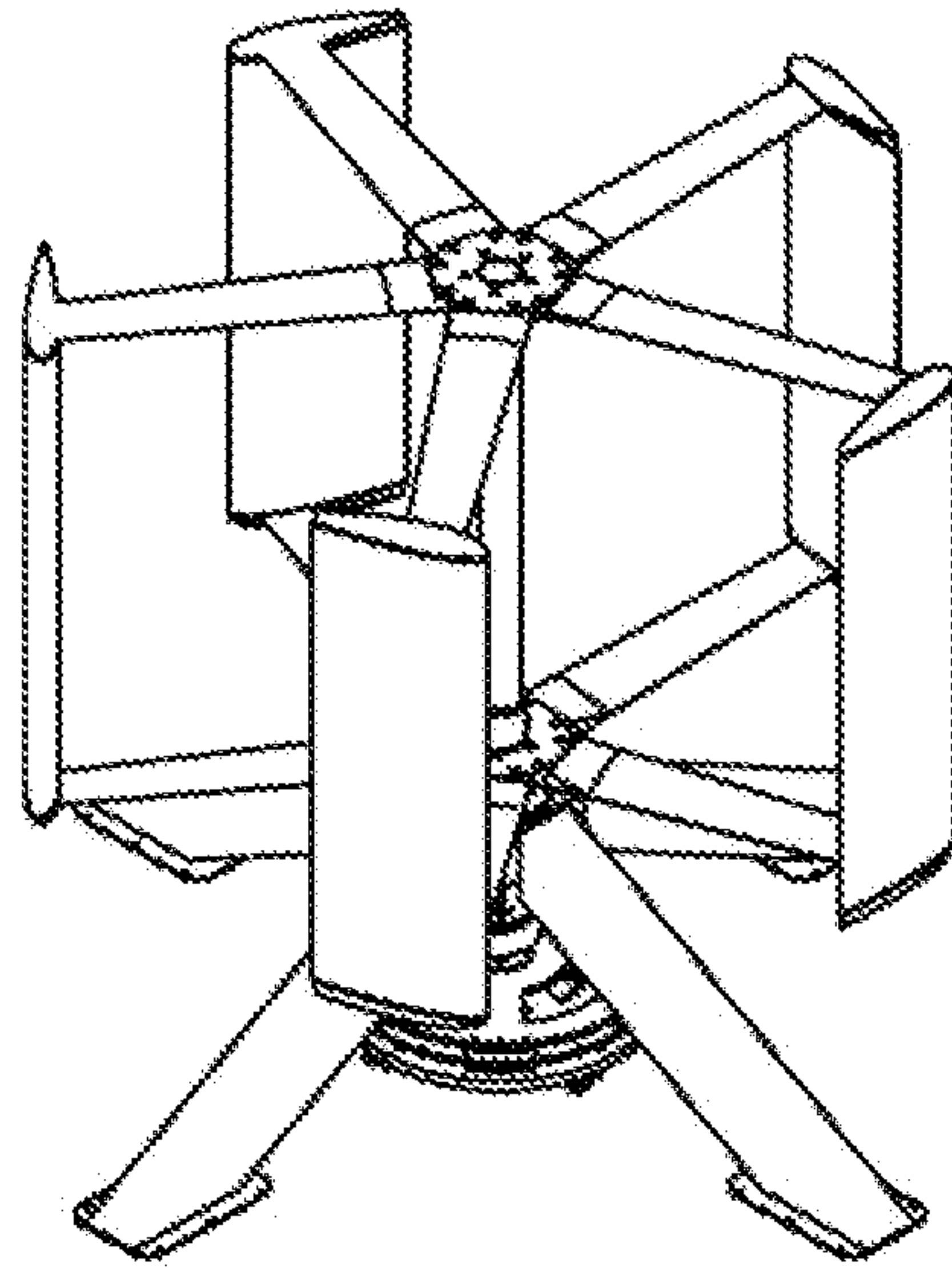


FIG. 6

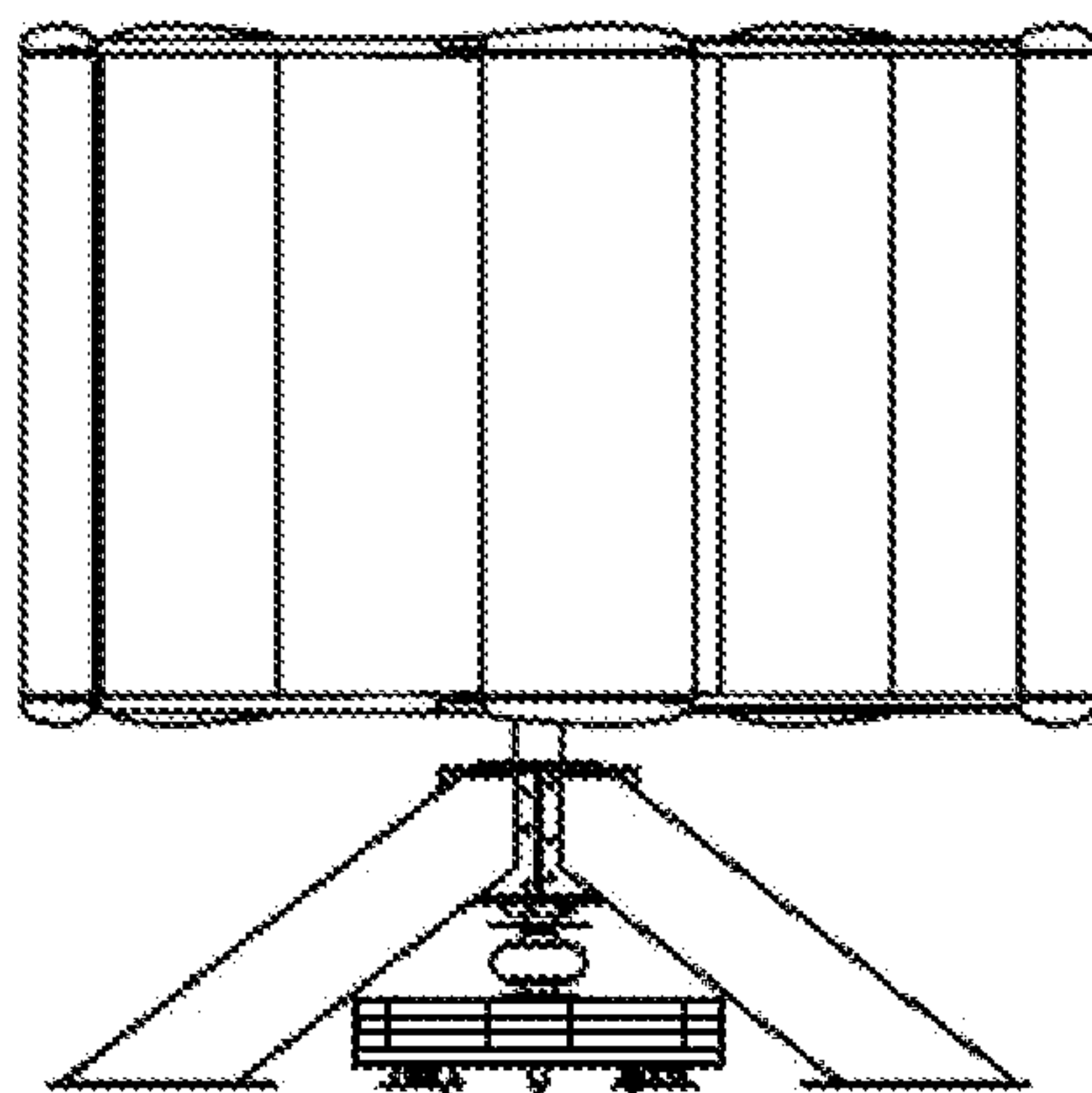


FIG. 7