



US00D716226S

(12) **United States Design Patent**  
**Lau et al.**

(10) **Patent No.:** **US D716,226 S**  
(45) **Date of Patent:** **\*\* Oct. 28, 2014**

(54) **ELECTRIC MOTOR**

(71) Applicant: **Johnson Electric S.A.**, Murten (CH)

(72) Inventors: **James Ching Sik Lau**, Hong Kong (CN); **Duncan Yiu Lung Wong**, Hong Kong (CN); **Chun Kit Cheung**, Hong Kong (CN); **Wan Hua Xie**, Shenzhen (CN)

(73) Assignee: **Johnson Electric S.A.**, Murten (CH)

(\*\*) Term: **14 Years**

(21) Appl. No.: **29/466,854**

(22) Filed: **Sep. 12, 2013**

(51) **LOC (10) Cl.** ..... **13-01**

(52) **U.S. Cl.**  
USPC ..... **D13/112**

(58) **Field of Classification Search**  
USPC ..... D13/112, 113, 114, 122, 199; D15/3, 5, D15/199; 74/606 R, 609; 310/10, 40 R, 42, 310/51, 52, 58, 64, 71, 80, 83, 85, 88, 89, 310/91, 109, 236, 239, 240, 241, 242, 254; 318/245, 255; 322/16, 39; 361/688, 361/704, 709; 29/596–598

See application file for complete search history.

(56) **References Cited**

**U.S. PATENT DOCUMENTS**

4,244,098 A \* 1/1981 Barcus ..... 29/596  
D325,560 S \* 4/1992 Baines ..... D13/112  
5,311,090 A \* 5/1994 Ferlatte ..... 310/88

6,700,237 B1 \* 3/2004 Yang ..... 310/58  
D511,138 S \* 11/2005 Kwan ..... D13/112  
D579,869 S \* 11/2008 Lau et al. .... D13/112  
D603,793 S \* 11/2009 Lindberg ..... D13/112  
D611,410 S \* 3/2010 Sturm et al. .... D13/112  
D642,200 S \* 7/2011 Jiang et al. .... D15/5

\* cited by examiner

*Primary Examiner* — Derrick Holland

(74) *Attorney, Agent, or Firm* — Muncy, Geissler, Olds & Lowe, P.C.

(57) **CLAIM**

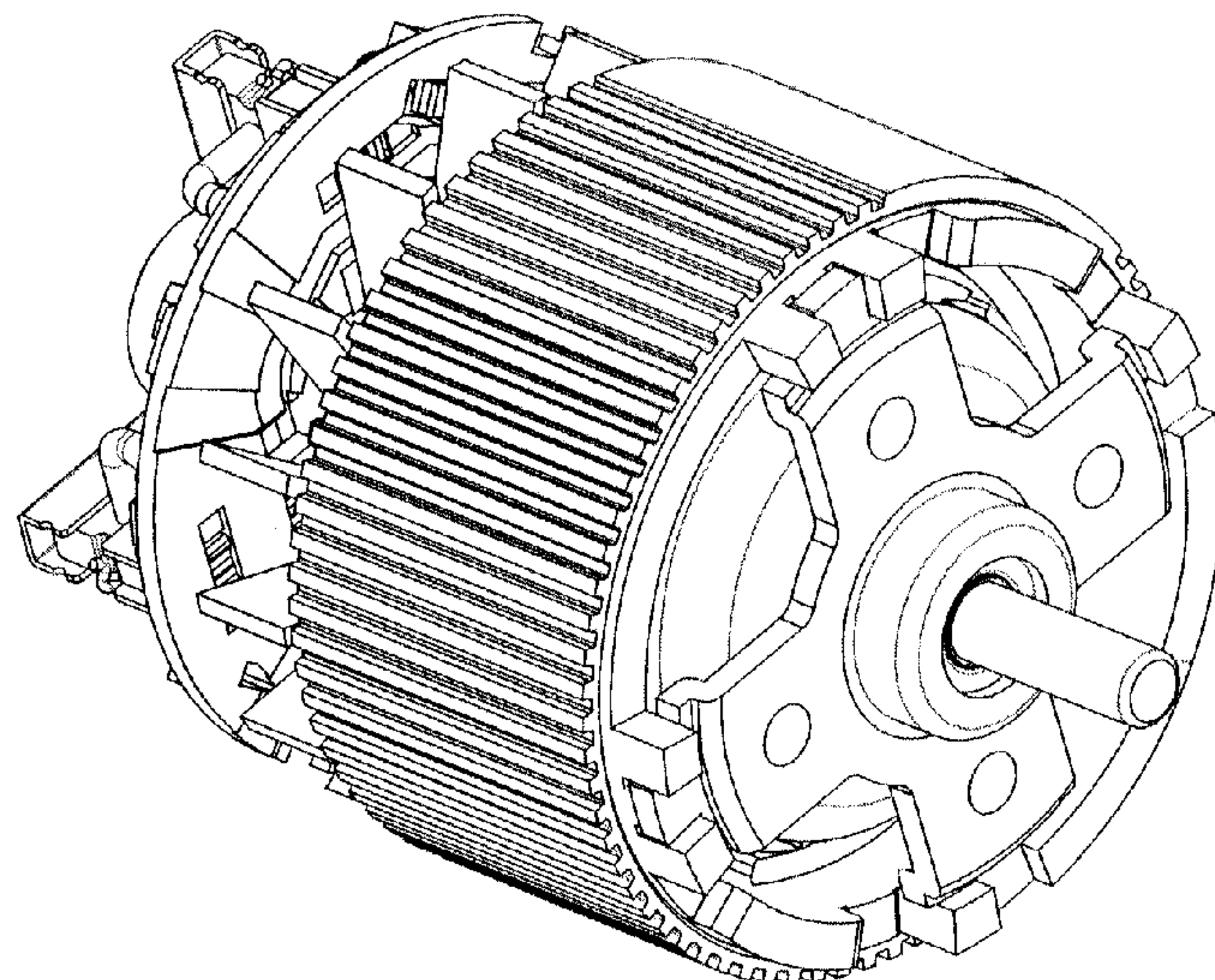
The ornamental design for an electric motor, as shown and described.

**DESCRIPTION**

FIG. 1 is a front elevational view of an electric motor showing our new design;  
FIG. 2 is a rear elevational view thereof;  
FIG. 3 is a top plan view thereof;  
FIG. 4 is a bottom plan view thereof;  
FIG. 5 is a right side elevational view thereof;  
FIG. 6 is a left side elevational view thereof;  
FIG. 7 is a front perspective view thereof; and,  
FIG. 8 is a rear perspective view thereof.

Portions of the electric motor have been shown broken to indicate indeterminate length. The indeterminate portion of the article forms no part of the claim design. Patentability is based only on those portions of the electric motor that are shown in solid lines.

**1 Claim, 8 Drawing Sheets**



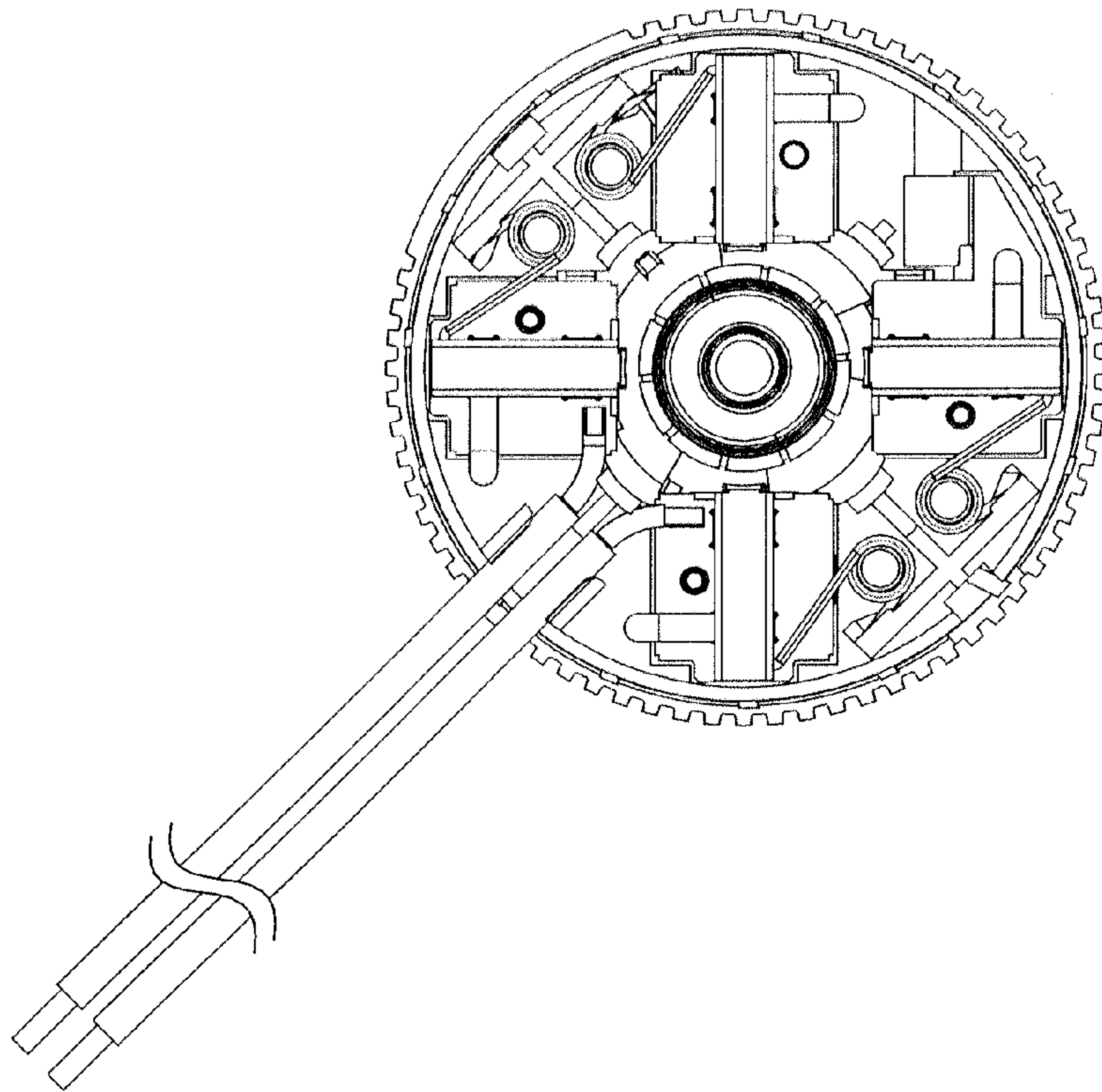


FIG. 1

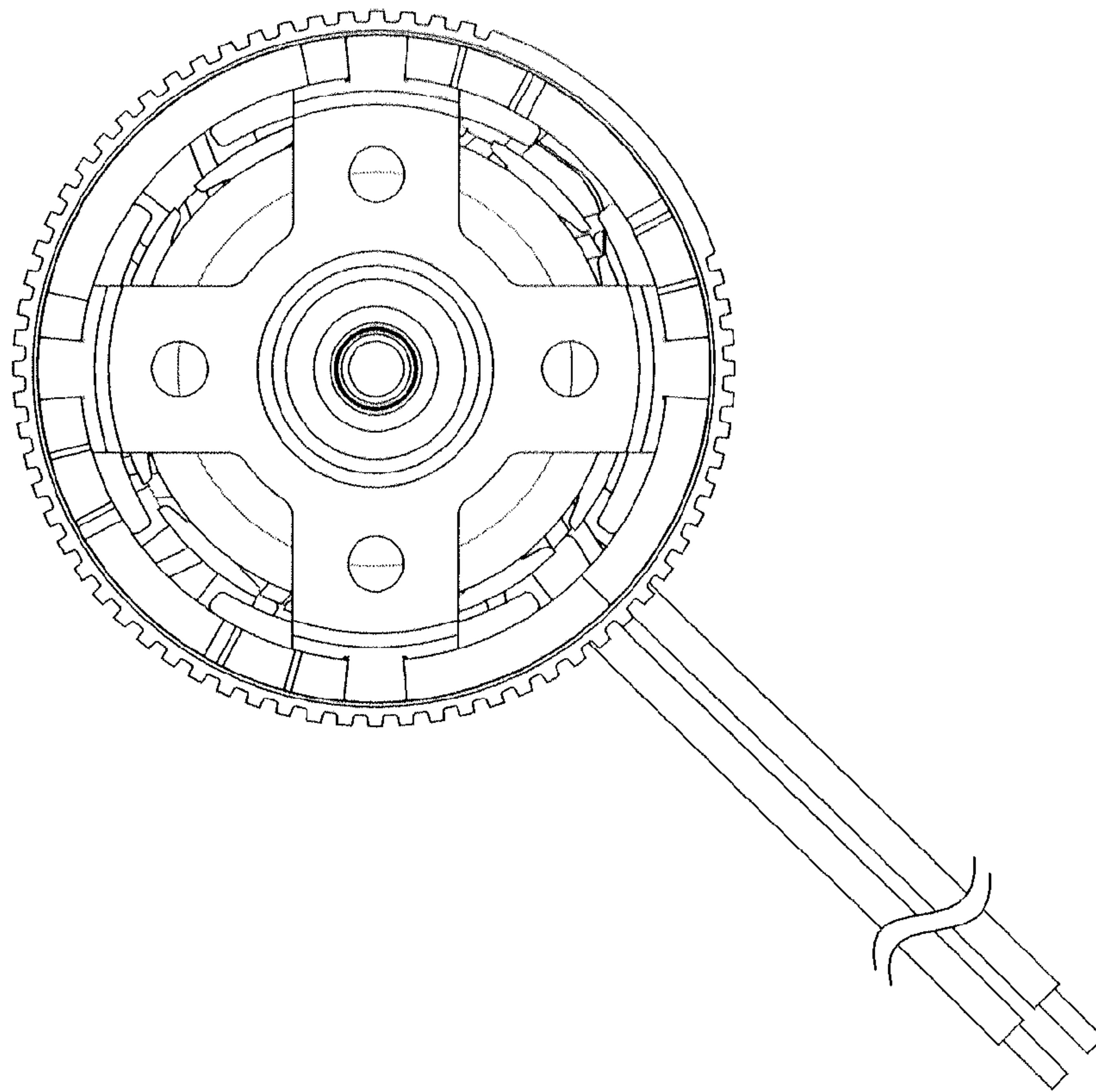


FIG. 2

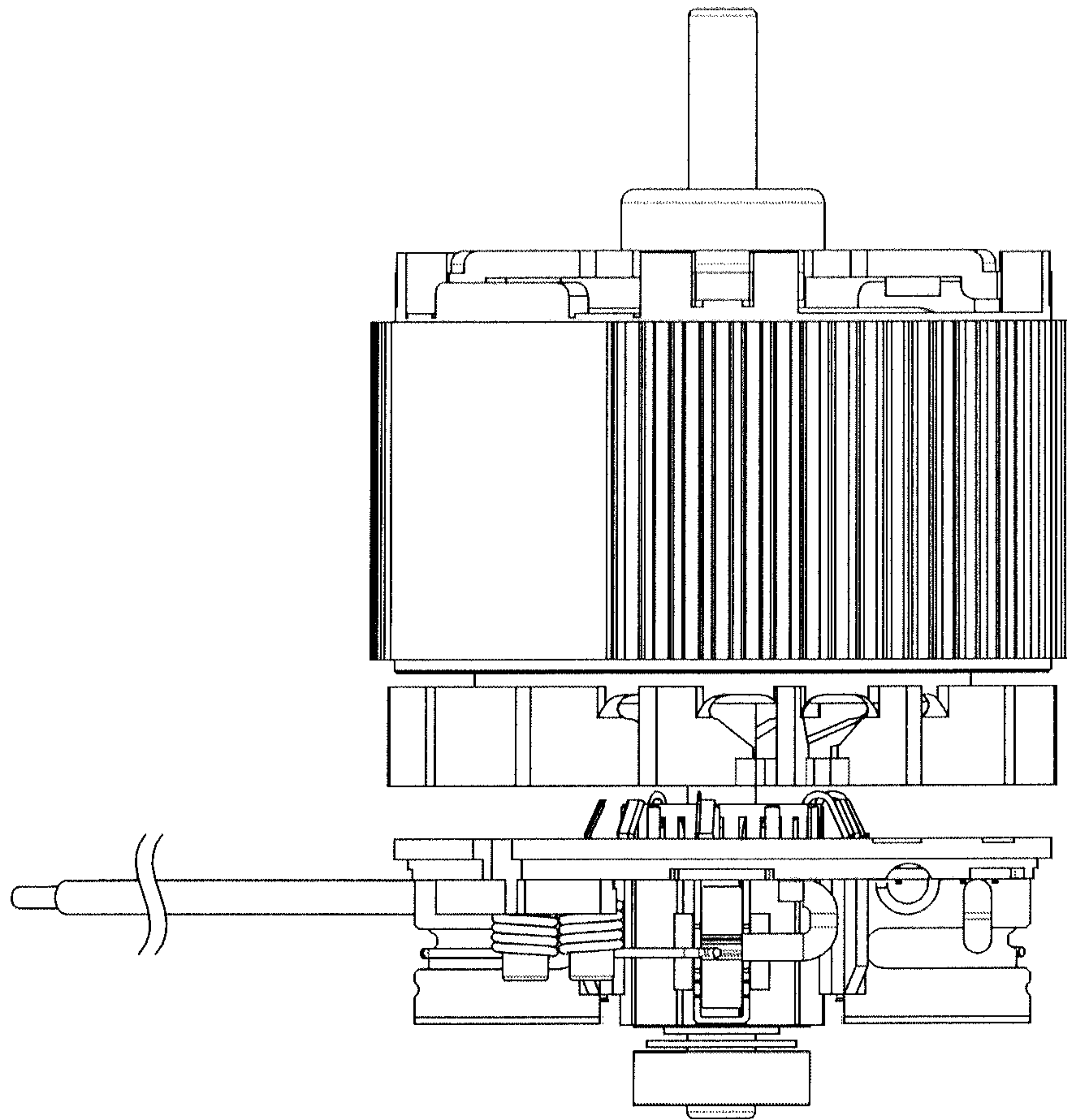


FIG. 3



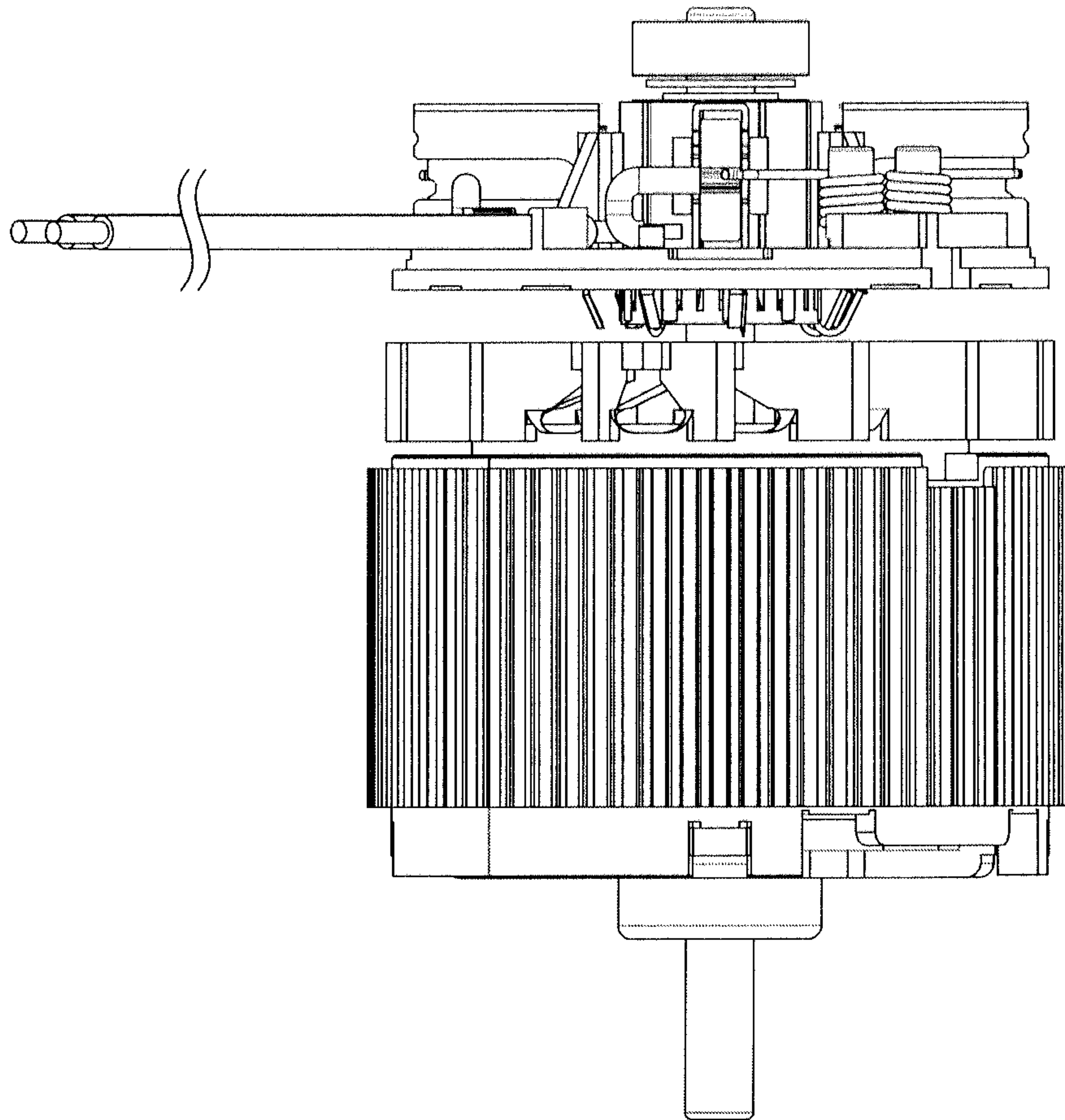


FIG. 4

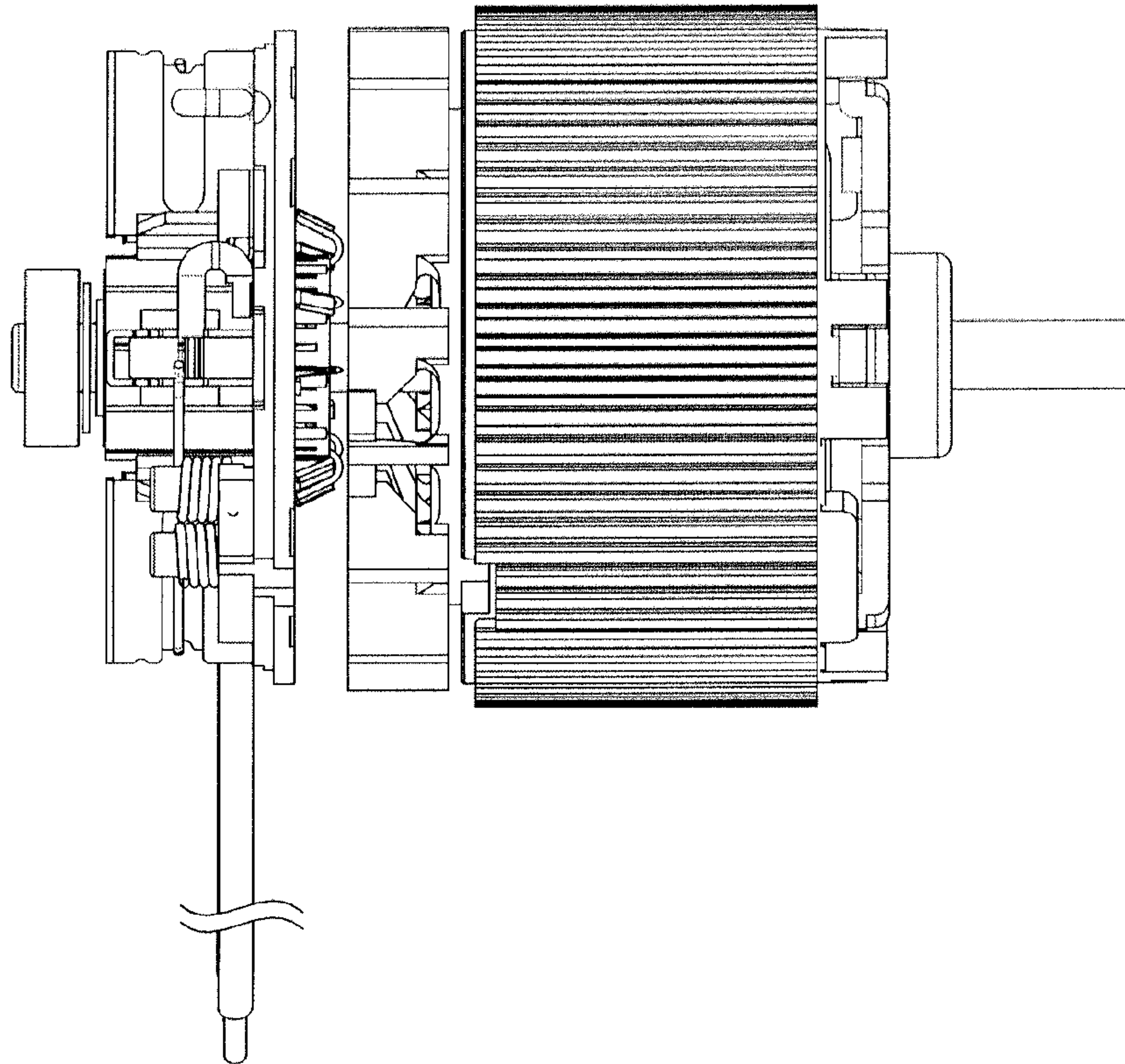


FIG. 5

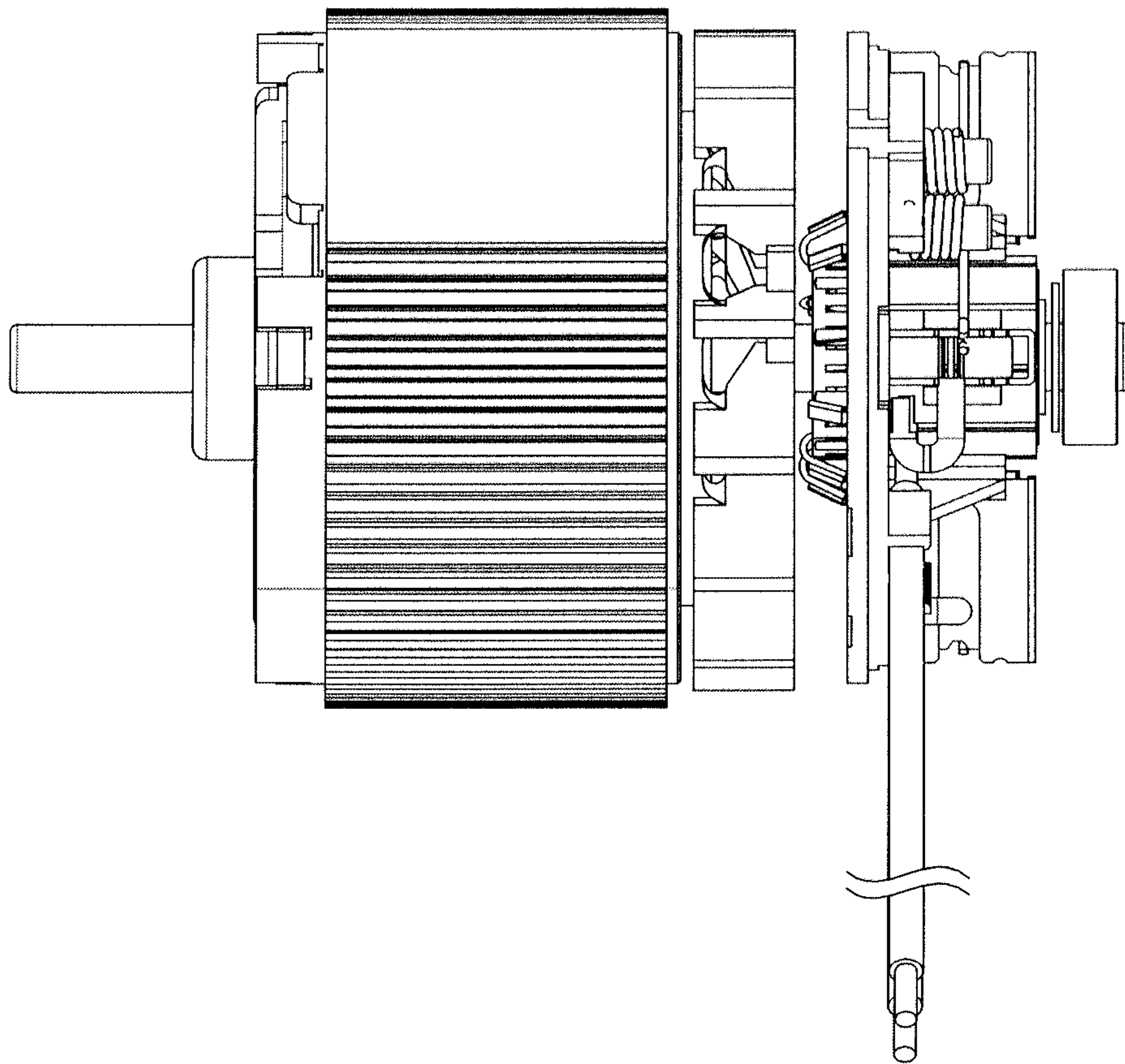


FIG. 6

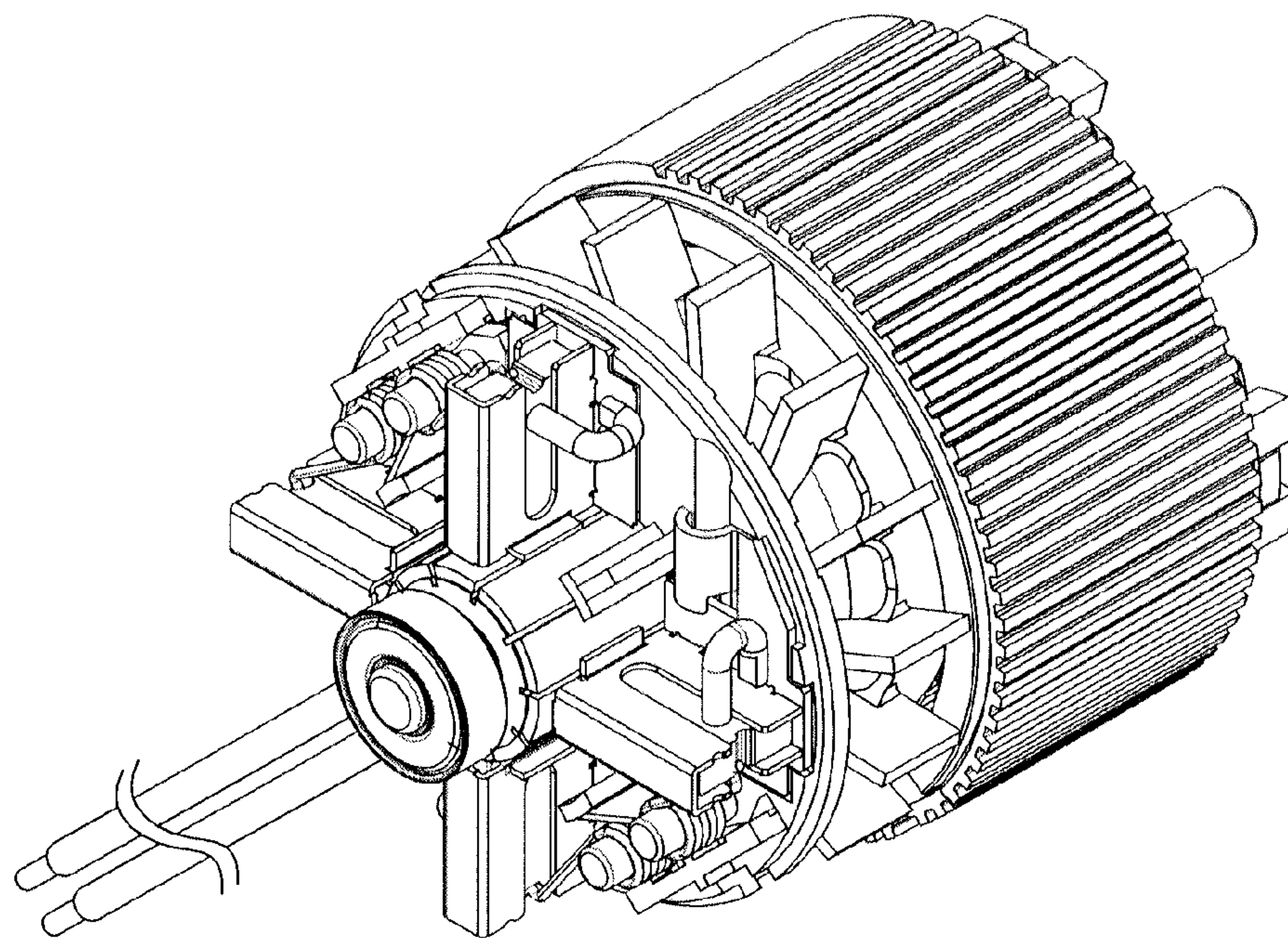


FIG. 7



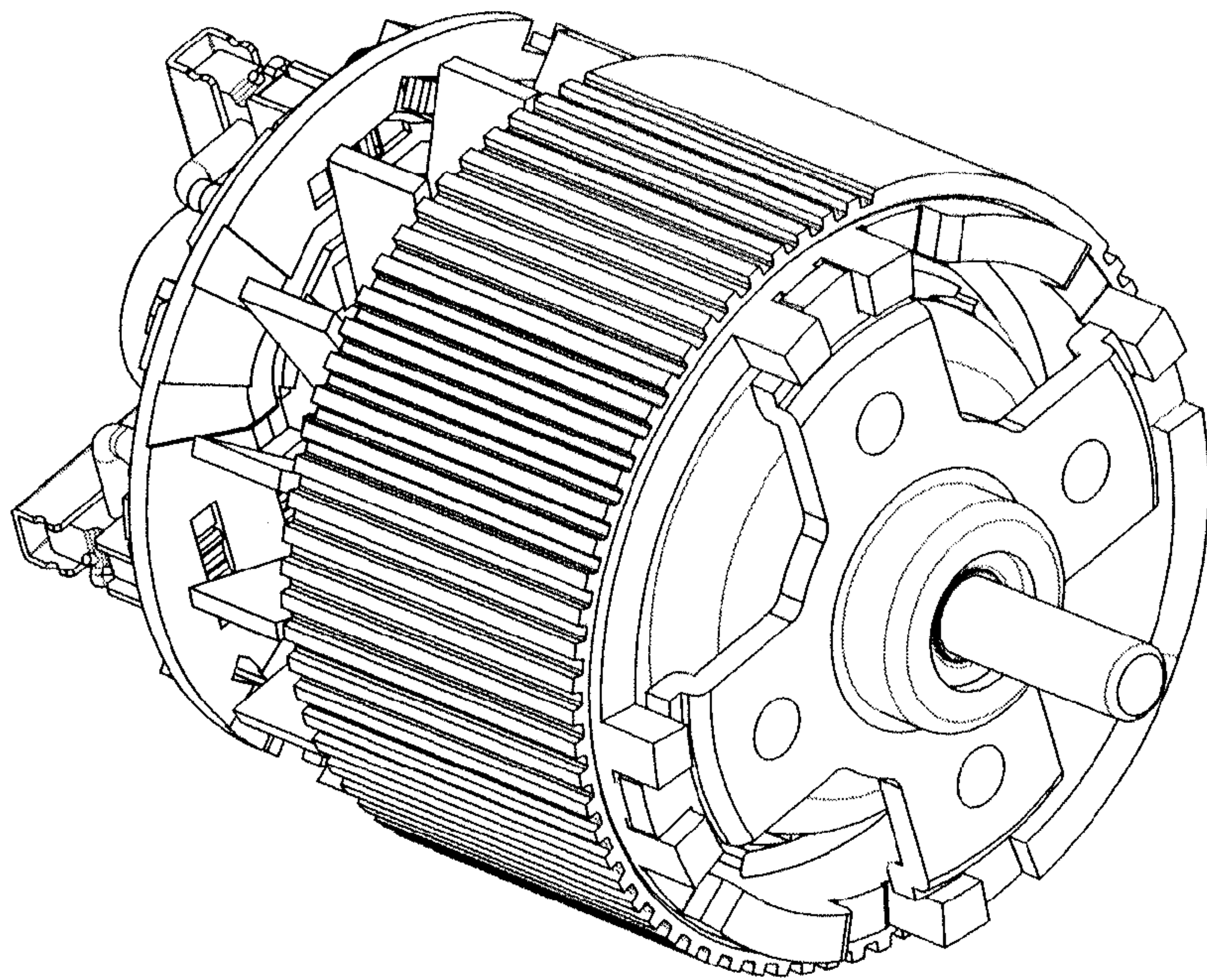


FIG. 8