



US00D716225S

(12) **United States Design Patent**
Akana et al.

(10) **Patent No.:** **US D716,225 S**

(45) **Date of Patent:** **** Oct. 28, 2014**

(54) **POWER ADAPTER**

(71) Applicant: **Apple Inc.**, Cupertino, CA (US)

(72) Inventors: **Jody Akana**, San Francisco, CA (US);
Bartley K. Andre, Palo Alto, CA (US);
Jeremy Bataillou, San Francisco, CA
(US); **Daniel J. Coster**, San Francisco,
CA (US); **Daniele De Iuliis**, San
Francisco, CA (US); **Kevin Fetterman**,
Los Altos, CA (US); **M. Evans Hankey**,
San Francisco, CA (US); **Julian Hoening**,
San Francisco, CA (US); **Richard P.**
Howarth, San Francisco, CA (US);
Jonathan P. Ive, San Francisco, CA
(US); **Duncan Robert Kerr**, San
Francisco, CA (US); **Min Chul Kim**,
San Jose, CA (US); **Shin Nishibori**,
Kailua, HI (US); **Matthew Dean**
Rohrbach, San Francisco, CA (US);
Peter Russell-Clarke, San Francisco,
CA (US); **Christopher J. Stringer**,
Woodside, CA (US); **Eugene Antony**
Whang, San Francisco, CA (US); **Rico**
Zörkendörfer, San Francisco, CA (US)

(73) Assignee: **Apple Inc.**, Cupertino, CA (US)

(**) Term: **14 Years**

(21) Appl. No.: **29/432,921**

(22) Filed: **Sep. 22, 2012**

(51) **LOC (10) Cl.** **13-02**

(52) **U.S. Cl.**
USPC **D13/110**

(58) **Field of Classification Search**
USPC D13/108, 110, 118, 138.1, 138.2, 139.1,
D13/184, 199; D14/432, 433; 439/13,
439/151–160, 172–173, 282, 365, 371,
439/623–752.5; 307/145

See application file for complete search history.

(56) **References Cited**

U.S. PATENT DOCUMENTS

1,773,050	A *	8/1930	MacFadyen	174/66
D85,100	S *	9/1931	Kanne	D13/138.1
2,027,447	A *	1/1936	Percy	439/694
3,688,244	A *	8/1972	Savoca et al.	439/282
4,114,969	A *	9/1978	Borg	439/160
4,717,351	A *	1/1988	McCormick	439/153
D355,408	S *	2/1995	Geis et al.	D13/138.1
D375,291	S *	11/1996	Cheung	D13/138.2
6,217,390	B1 *	4/2001	Casari	439/651
D519,079	S *	4/2006	Suckle	D13/138.1
D535,947	S *	1/2007	Suckle et al.	D13/138.2
D651,175	S *	12/2011	Liang-Hsu et al.	D13/139.1
2009/0047840	A1 *	2/2009	Wang et al.	439/668

OTHER PUBLICATIONS

Photographs of power cord from 2009 iMAC, available as early as Oct. 20, 2009.

* cited by examiner

Primary Examiner — Derrick Holland

Assistant Examiner — Jennifer O King

(74) *Attorney, Agent, or Firm* — SAIDMAN DesignLaw Group

(57) **CLAIM**

The ornamental design for a power adapter, as shown and described.

DESCRIPTION

FIG. 1 is a perspective view of a power adapter showing our new design;

FIG. 2 is a front view thereof;

FIG. 3 is a rear view thereof;

FIG. 4 is a right side view thereof;

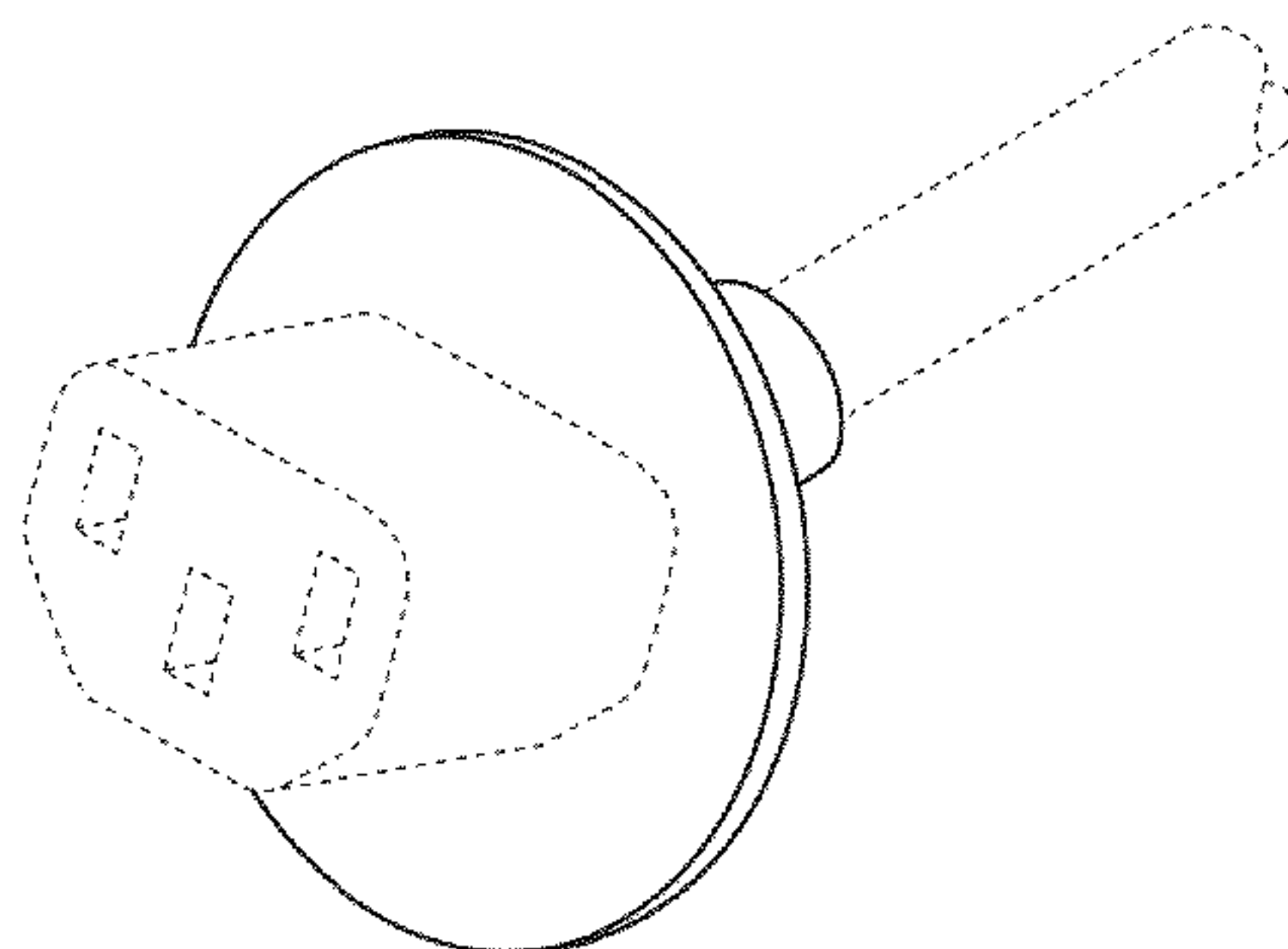
FIG. 5 is a left side view thereof;

FIG. 6 is a bottom view thereof; and,

FIG. 7 is a top view thereof.

The broken lines shown represent unclaimed subject matter and form no part of the claimed design.

1 Claim, 3 Drawing Sheets



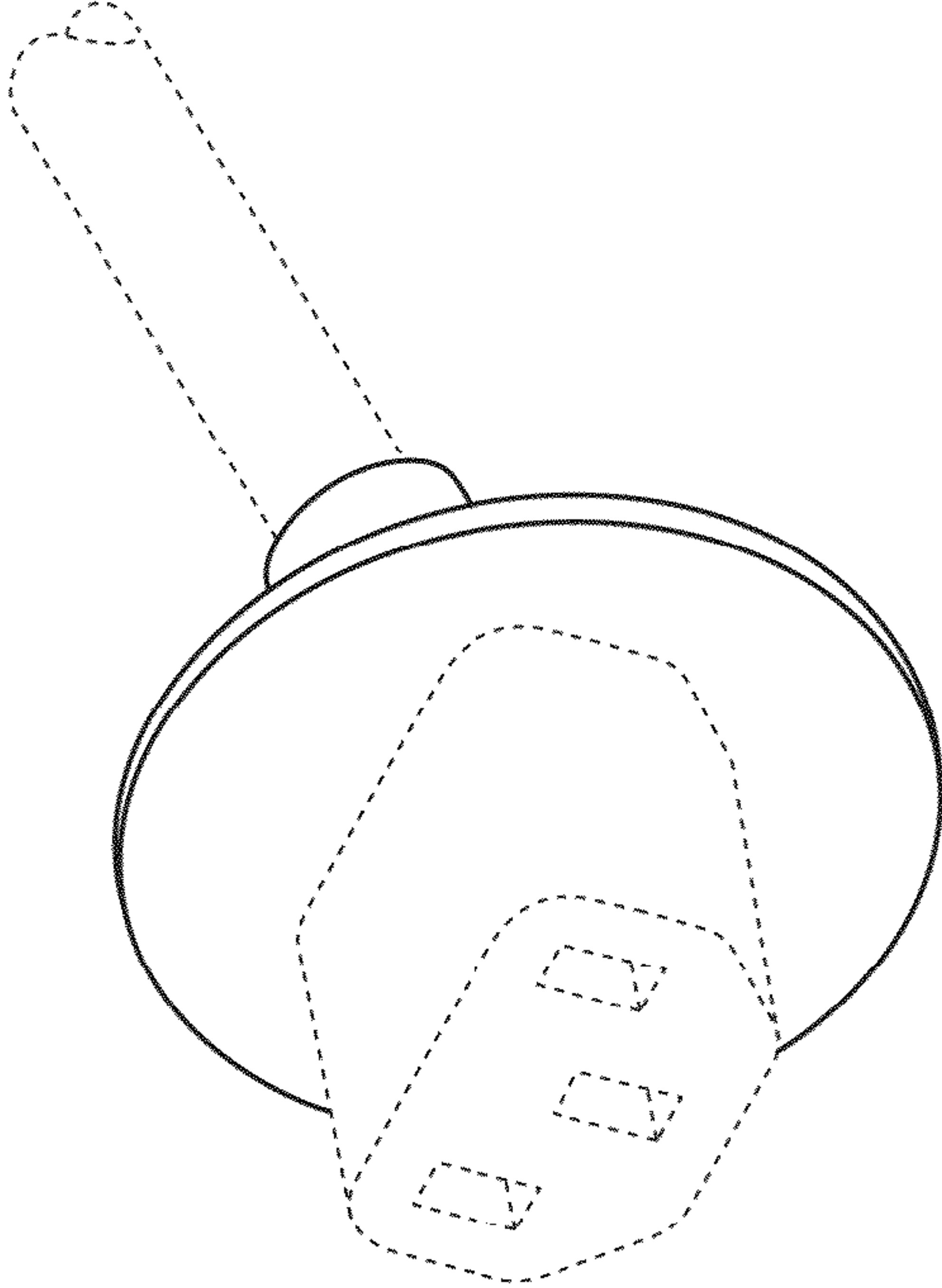


Fig. 1

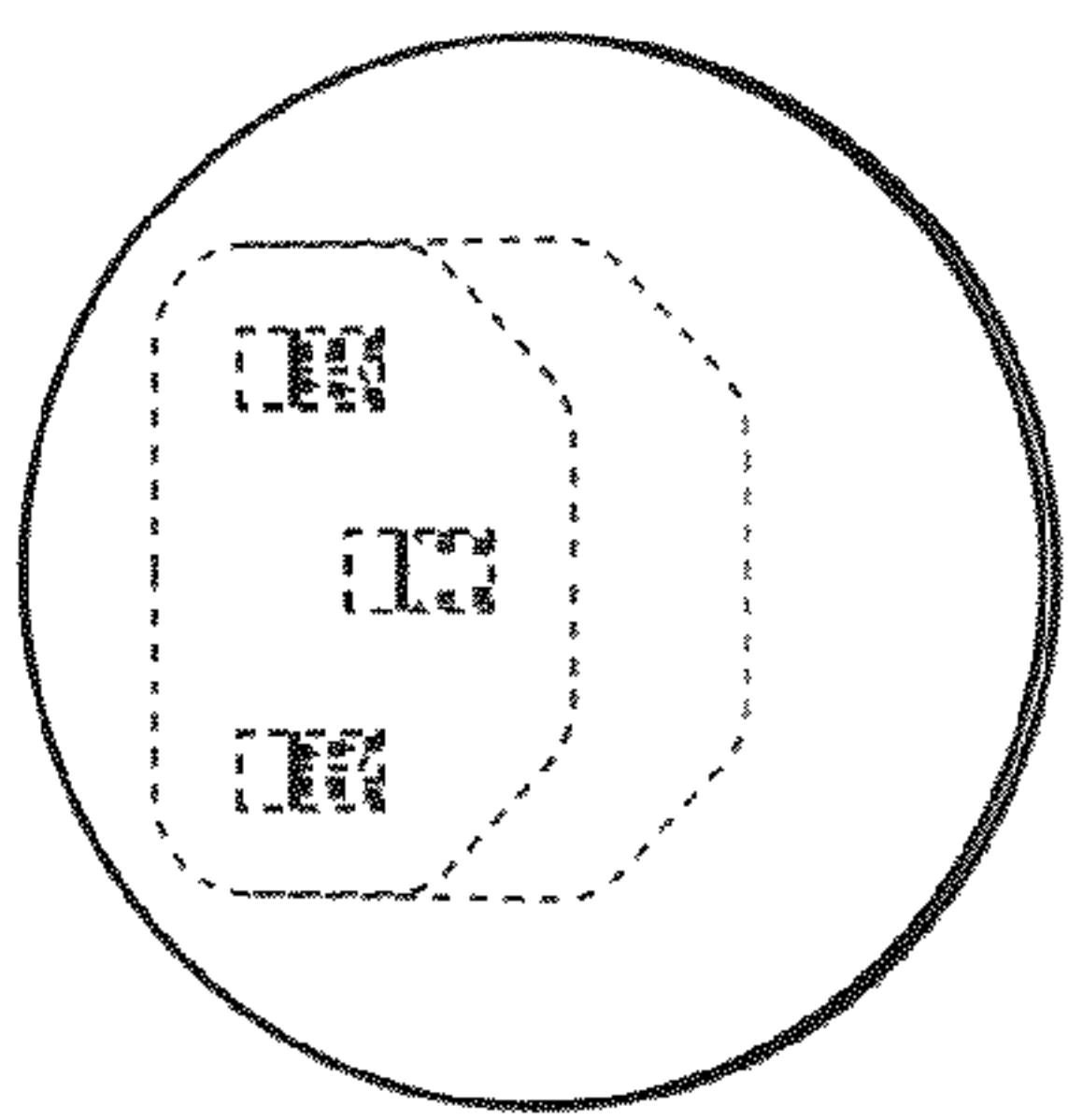


Fig. 2

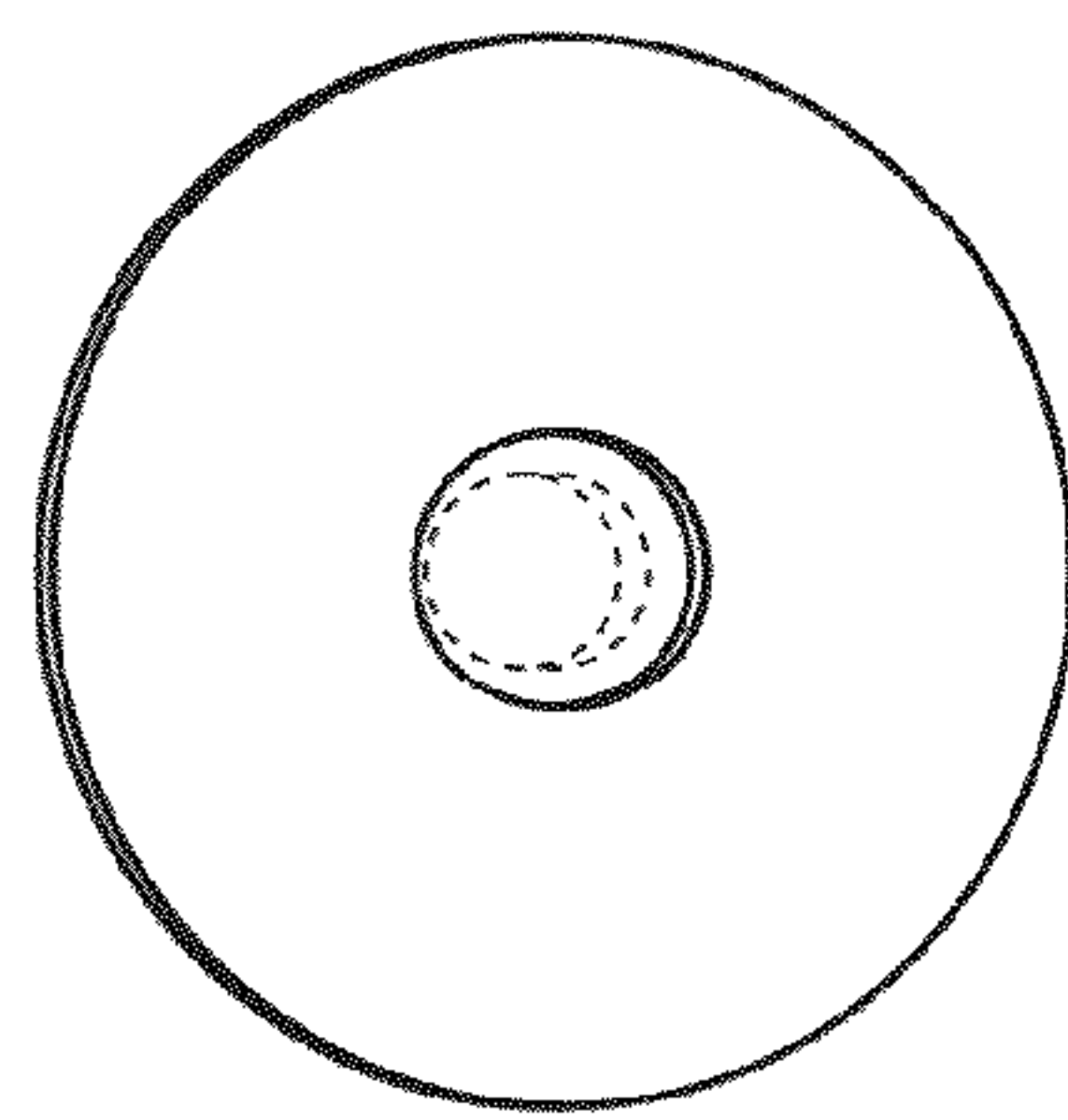


Fig. 3

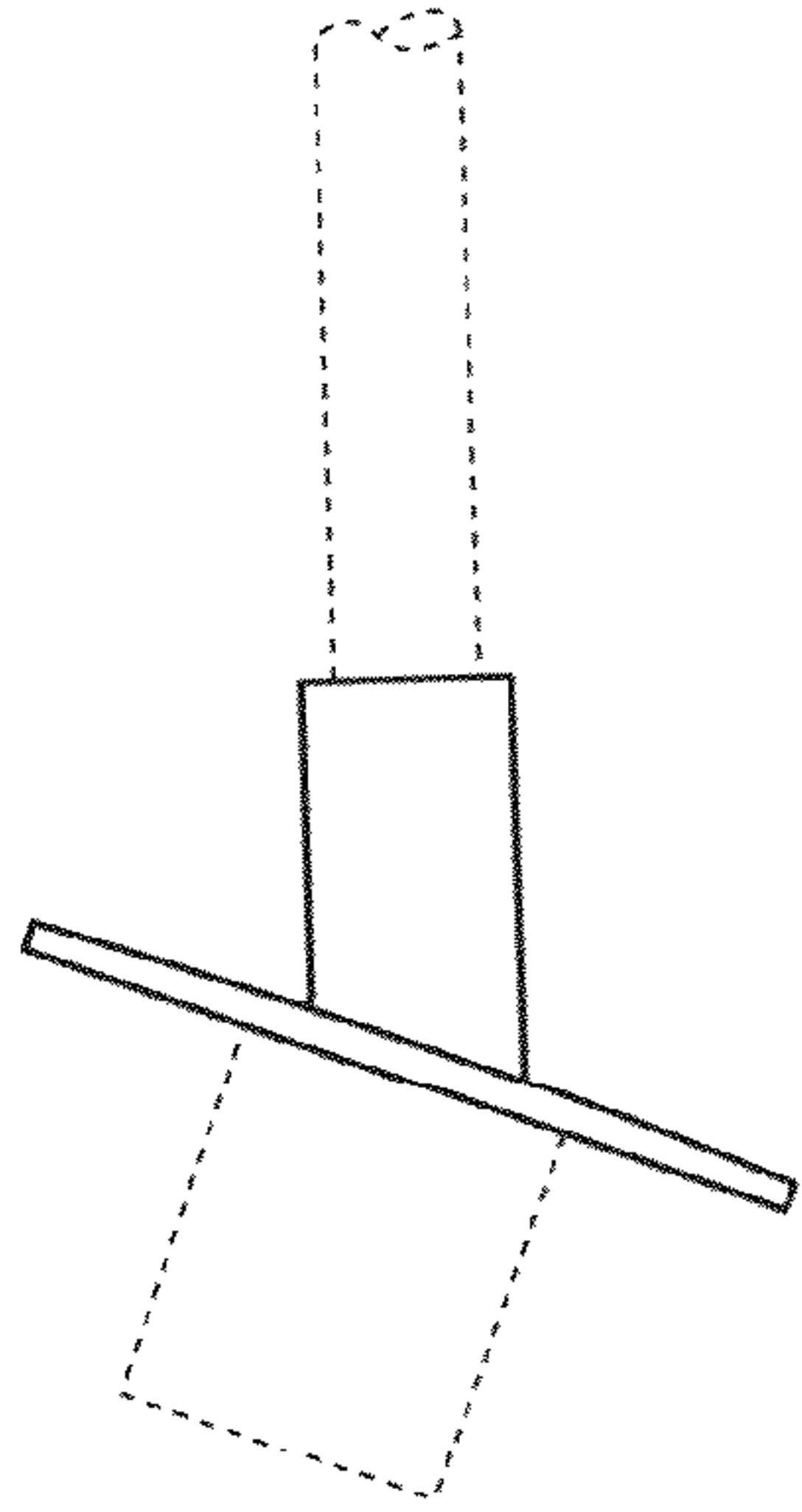


Fig. 4

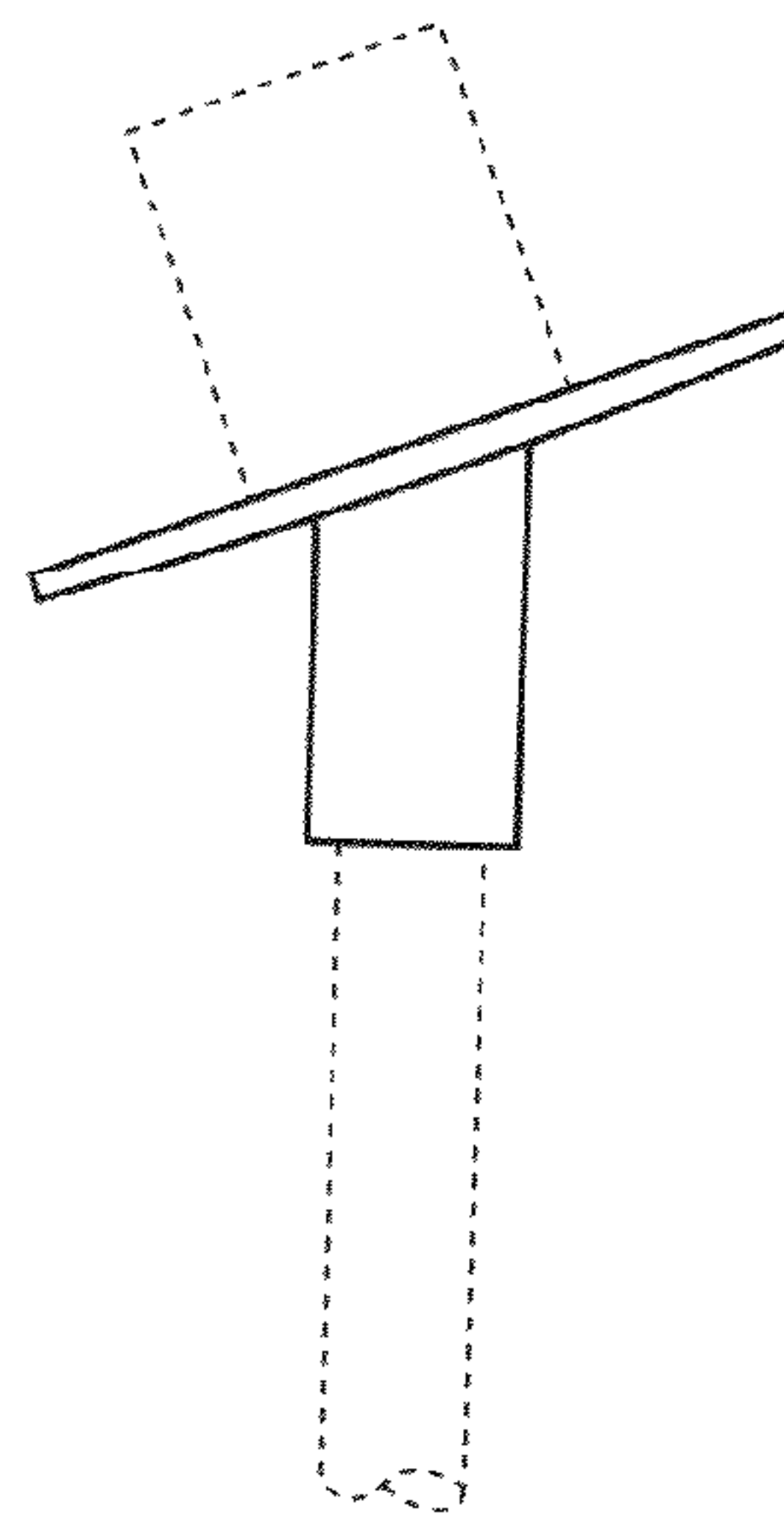


Fig. 5

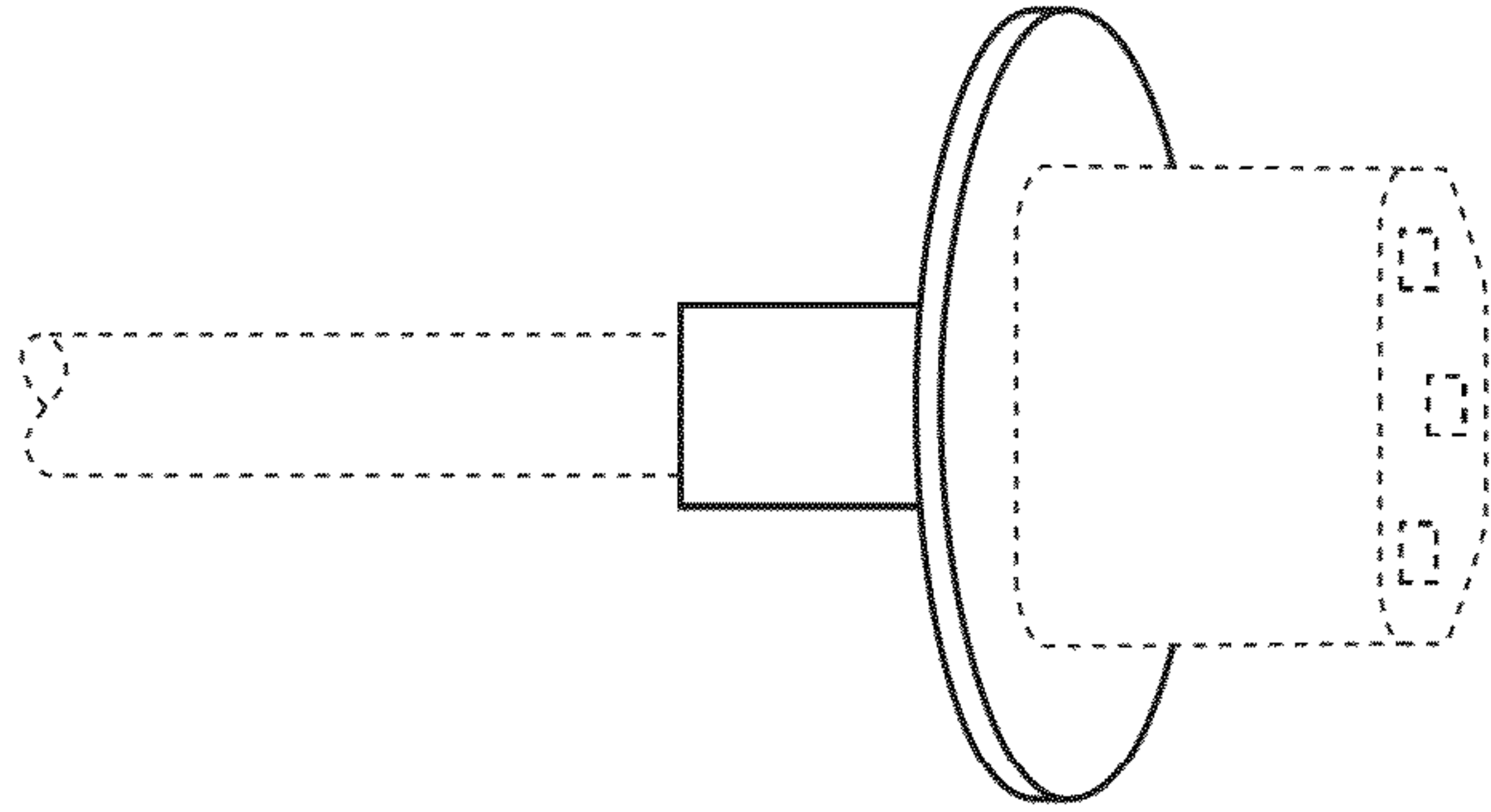


Fig. 6

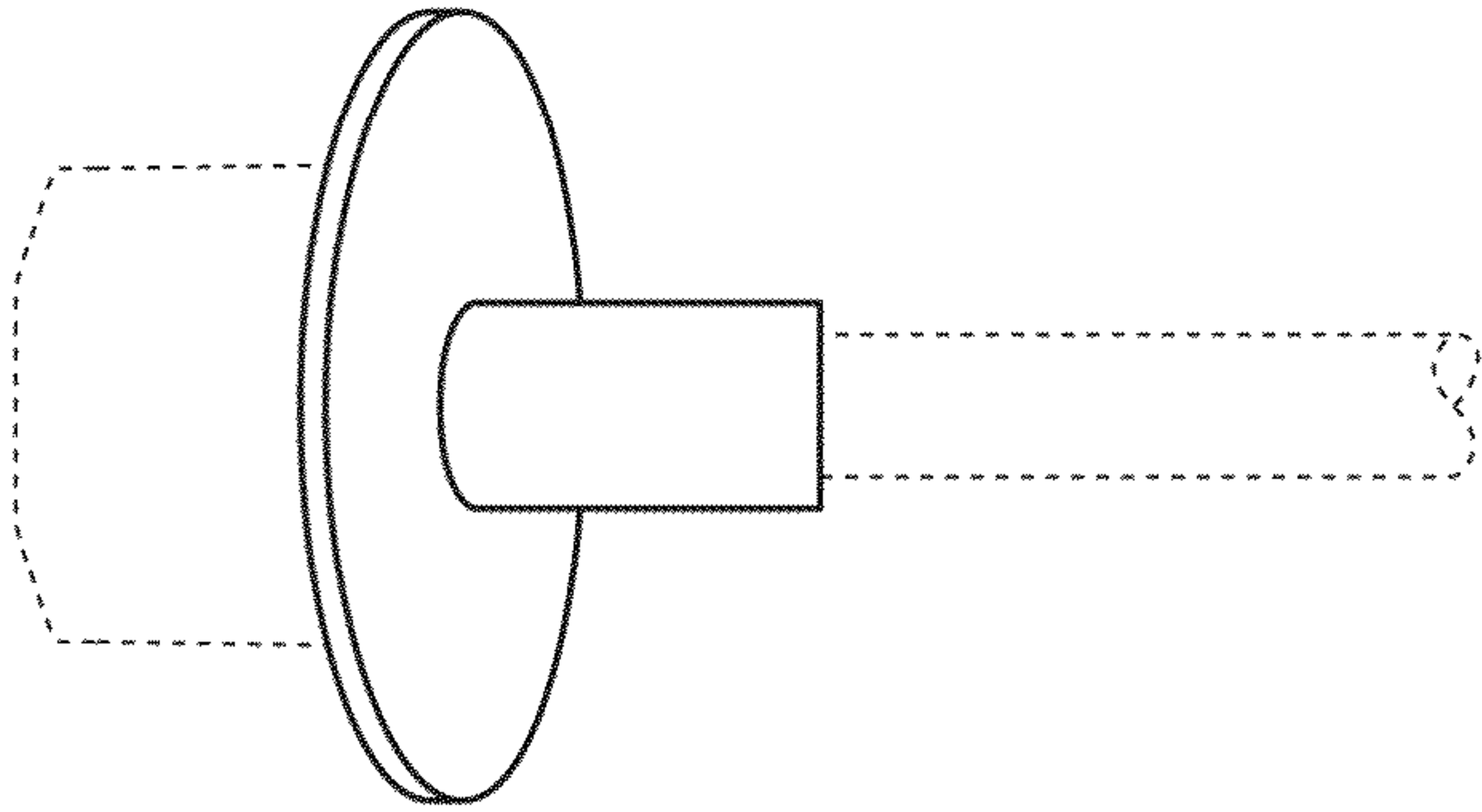


Fig. 7