



US00D716224S

(12) **United States Design Patent**
Blumin et al.

(10) **Patent No.:** **US D716,224 S**
(45) **Date of Patent:** **** Oct. 28, 2014**

(54) **PORTABLE CHARGING DEVICE**

(71) Applicants: **Elia Blumin**, Vaughan (CA); **Emanuel Daniel**, Vaughan (CA)

(72) Inventors: **Elia Blumin**, Vaughan (CA); **Emanuel Daniel**, Vaughan (CA)

(**) Term: **14 Years**

(21) Appl. No.: **29/482,922**

(22) Filed: **Feb. 24, 2014**

(51) **LOC (10) Cl.** **13-02**

(52) **U.S. Cl.**
USPC **D13/108**

(58) **Field of Classification Search**

USPC D13/102–110, 118–119, 133, 146, 147,
D13/154, 184, 199; D14/356, 432, 480.1,
D14/480.3–480.7; 320/103, 107–115, 135,
320/138, 140; 429/96–100, 156, 163, 176,
429/122

See application file for complete search history.

(56) **References Cited**

U.S. PATENT DOCUMENTS

D537,036 S *	2/2007	Chen	D14/433
D545,311 S *	6/2007	Wai	D14/480.7
D606,999 S *	12/2009	He et al.	D14/480.7
D610,538 S *	2/2010	Wu et al.	D13/103
D618,237 S *	6/2010	Wang	D14/356
D628,153 S *	11/2010	Fujii et al.	D13/108
D628,535 S *	12/2010	Cheng	D13/108
D628,572 S *	12/2010	Wang	D14/356
D652,379 S *	1/2012	Vandiver	D13/108
D656,096 S *	3/2012	Sasada et al.	D13/108
D656,147 S *	3/2012	Schlossstein	D14/480.6
D659,094 S *	5/2012	Brand et al.	D13/108
D659,149 S *	5/2012	Andre	D14/480.6
D659,150 S *	5/2012	Andre	D14/480.7
D662,050 S *	6/2012	Tien	D13/108

D663,684 S *	7/2012	Yang	D13/108
D672,309 S *	12/2012	Tien	D13/108
D674,748 S *	1/2013	Ferber et al.	D13/108
D675,156 S *	1/2013	Vandiver et al.	D13/108
D680,063 S *	4/2013	Sasada	D13/103
D682,197 S *	5/2013	Leung	D13/103
D685,732 S *	7/2013	Miller et al.	D13/108
D686,152 S *	7/2013	Lee et al.	D13/103
D686,153 S *	7/2013	Qu	D13/103
D697,867 S *	1/2014	Weinstein et al.	D13/108
2013/0193911 A1 *	8/2013	Miller et al.	320/107

* cited by examiner

Primary Examiner — Rosemary K Tarcza

(57) **CLAIM**

The ornamental design for a portable charging device, as shown and described.

DESCRIPTION

FIG. 1 is a top perspective view of the portable charging device in accordance with an embodiment of our design;

FIG. 2 is a right side view thereof;

FIG. 3 is a left side view thereof;

FIG. 4 is a rear view thereof;

FIG. 5 is front view thereof;

FIG. 6 is top view thereof;

FIG. 7 is bottom view thereof;

FIG. 8 is a top perspective view of the portable charging device with connectors in an expanded position;

FIG. 9 is a right side view thereof;

FIG. 10 is a left side view thereof;

FIG. 11 is a rear view thereof;

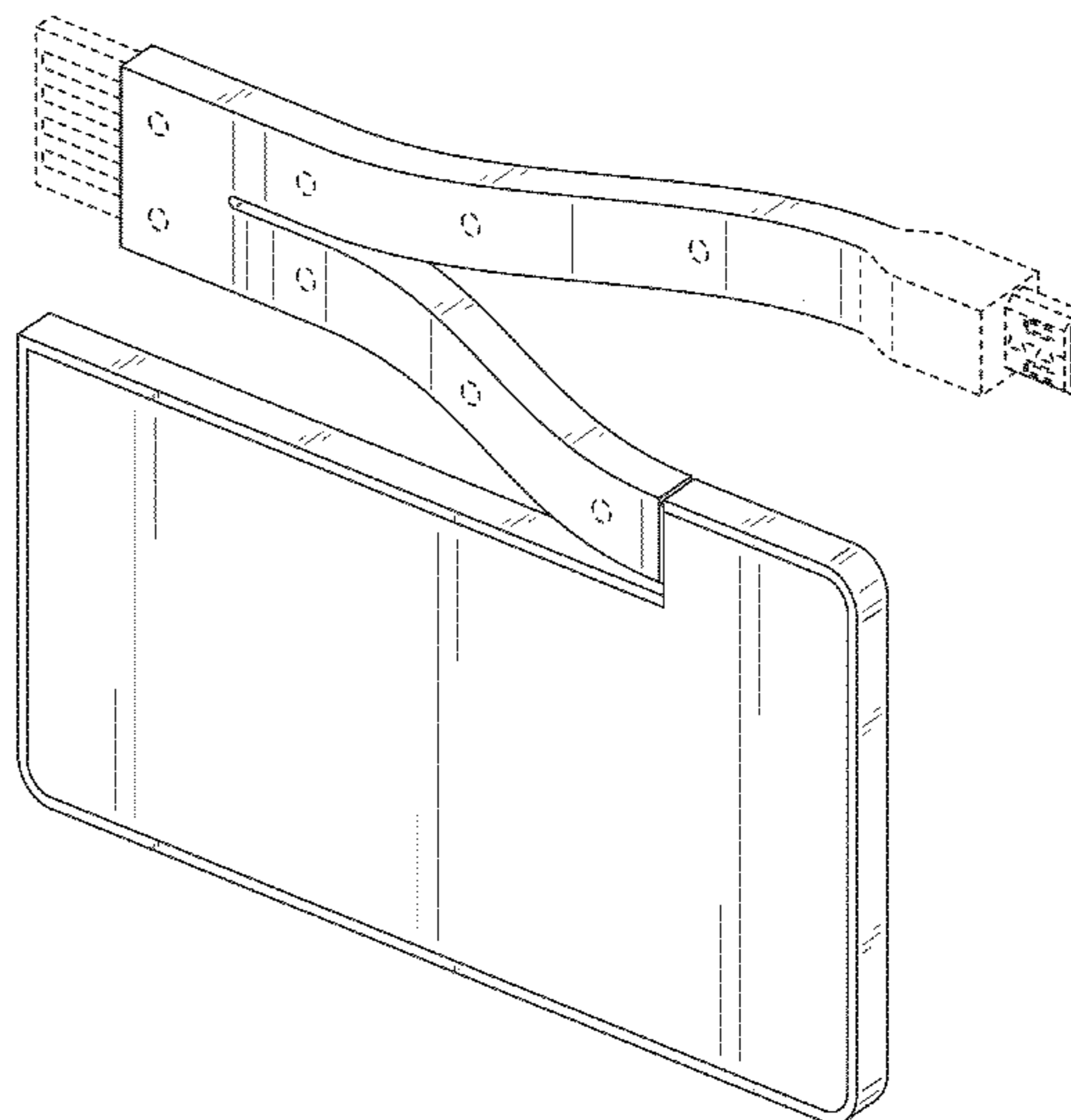
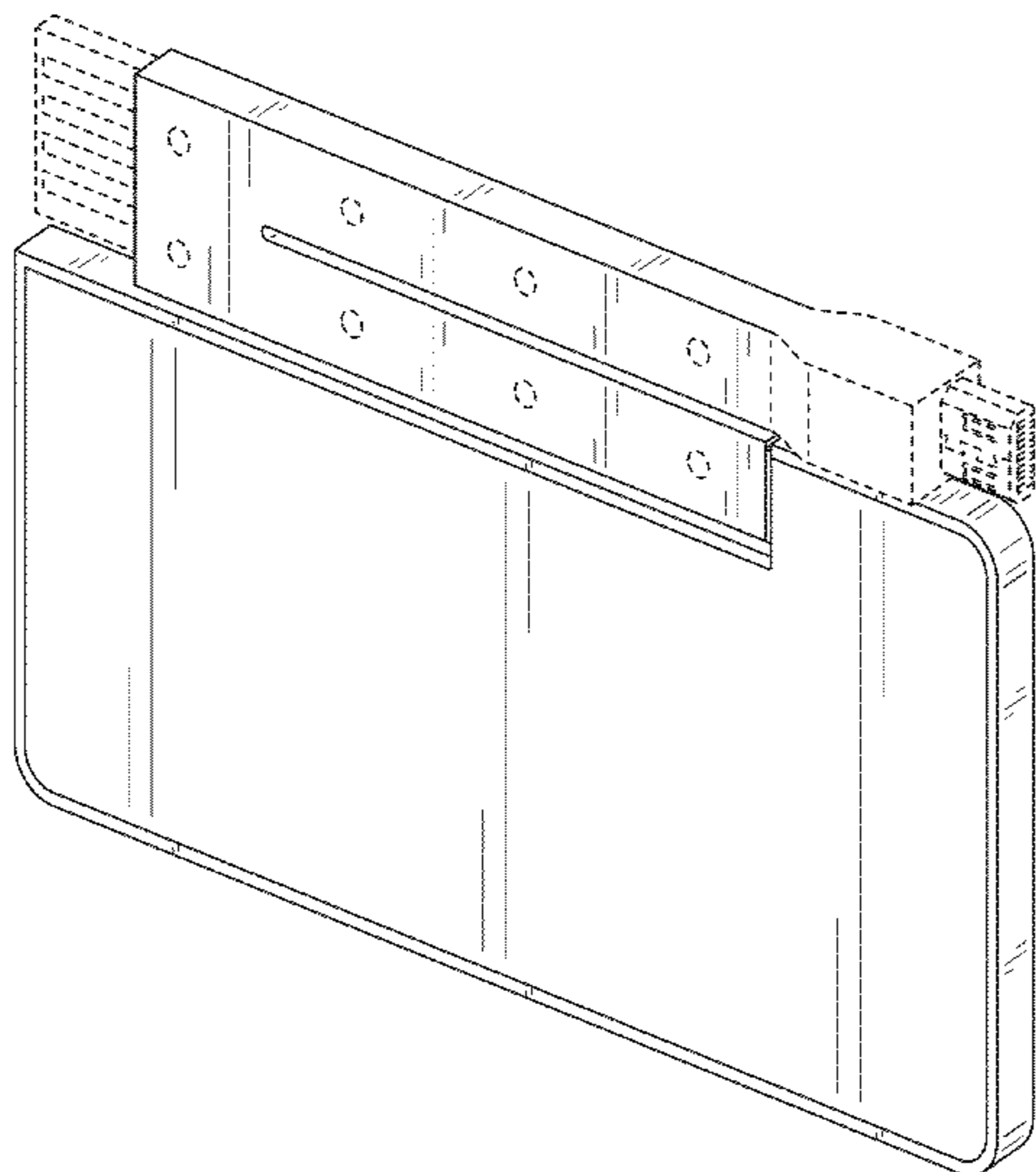
FIG. 12 is front view thereof;

FIG. 13 is top view thereof; and,

FIG. 14 is bottom view thereof.

The broken lines shown in the drawings are included for the purpose of illustrating environmental structure and form no part of the claimed design.

1 Claim, 10 Drawing Sheets



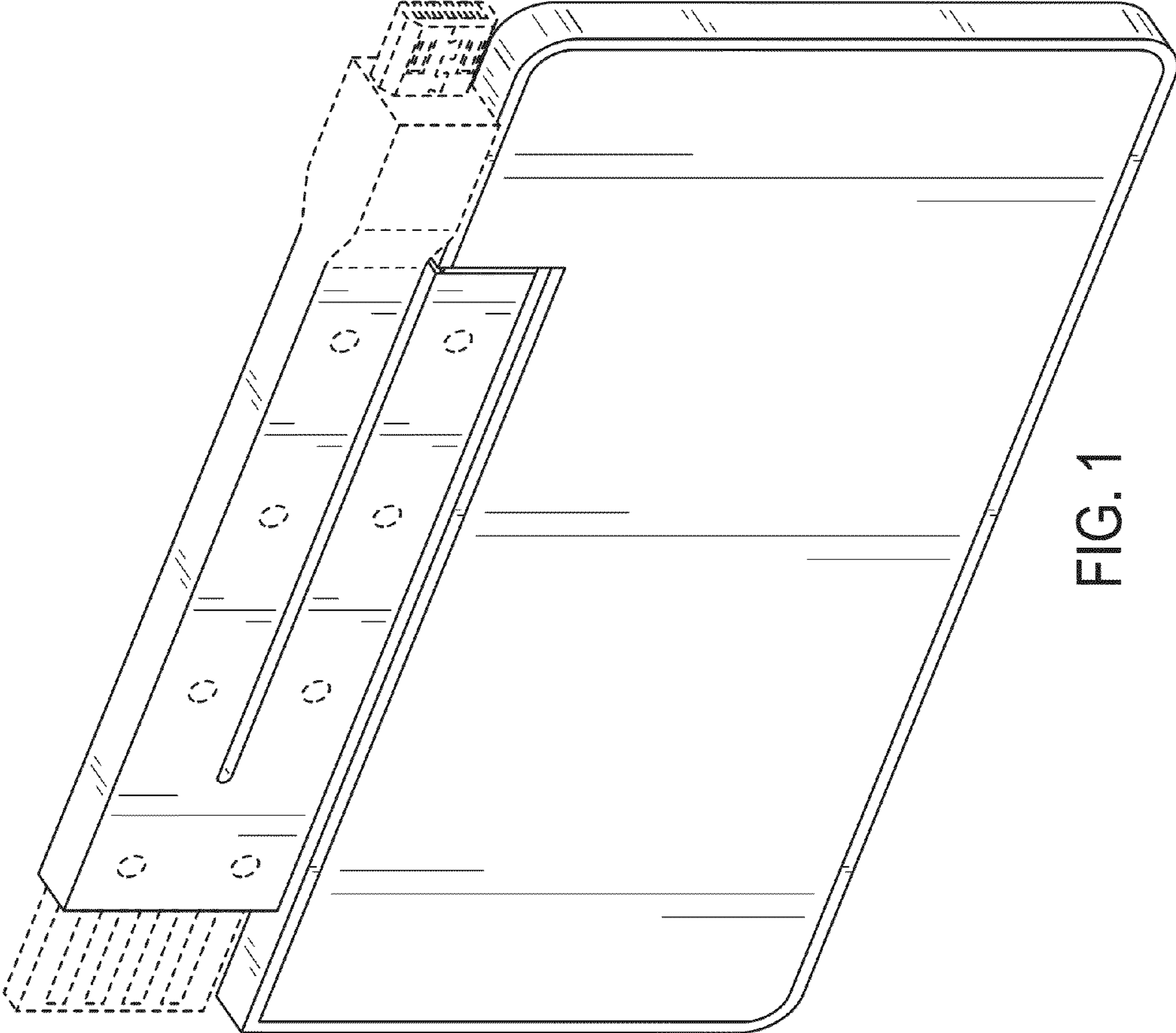


FIG. 1

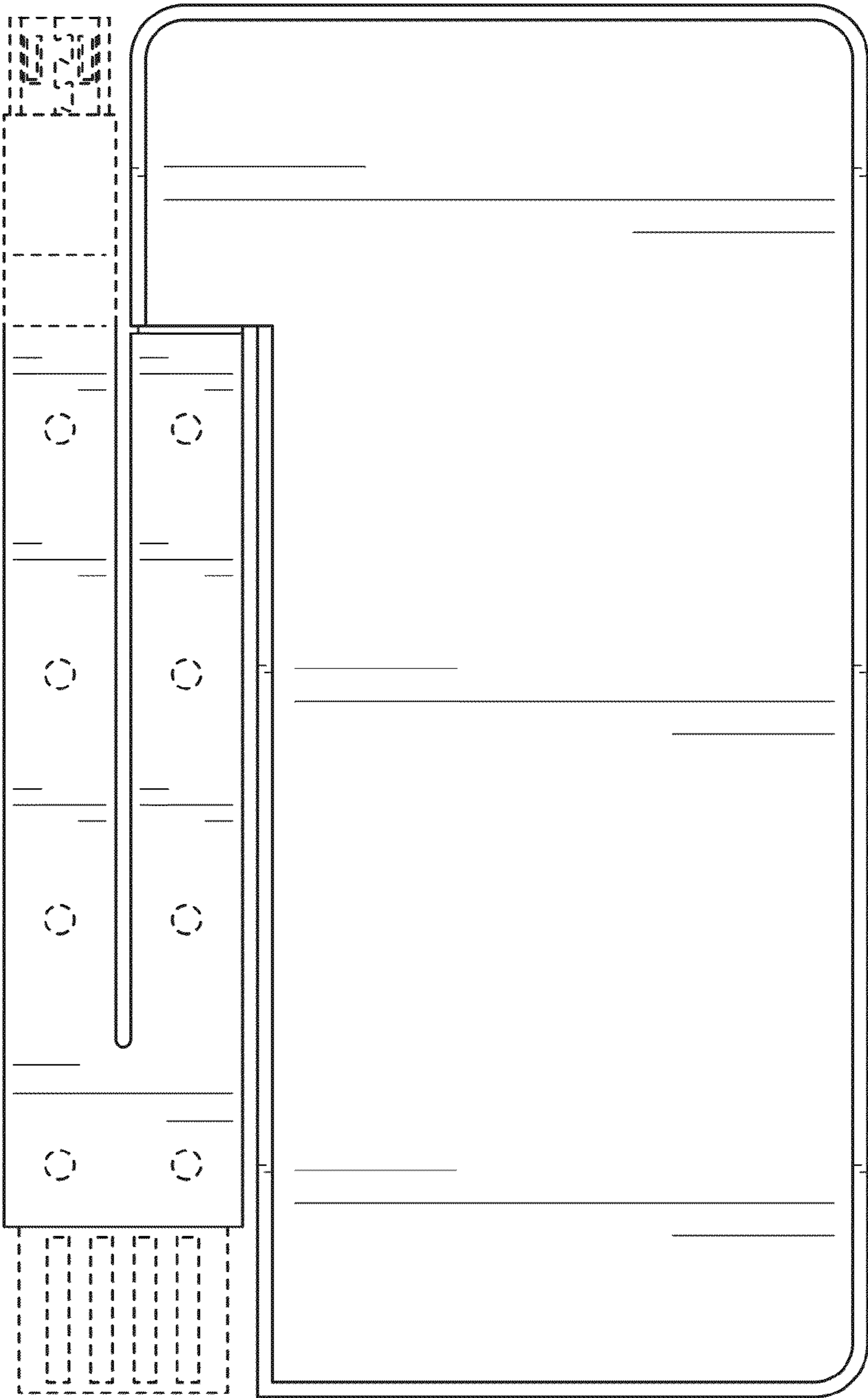


FIG. 2

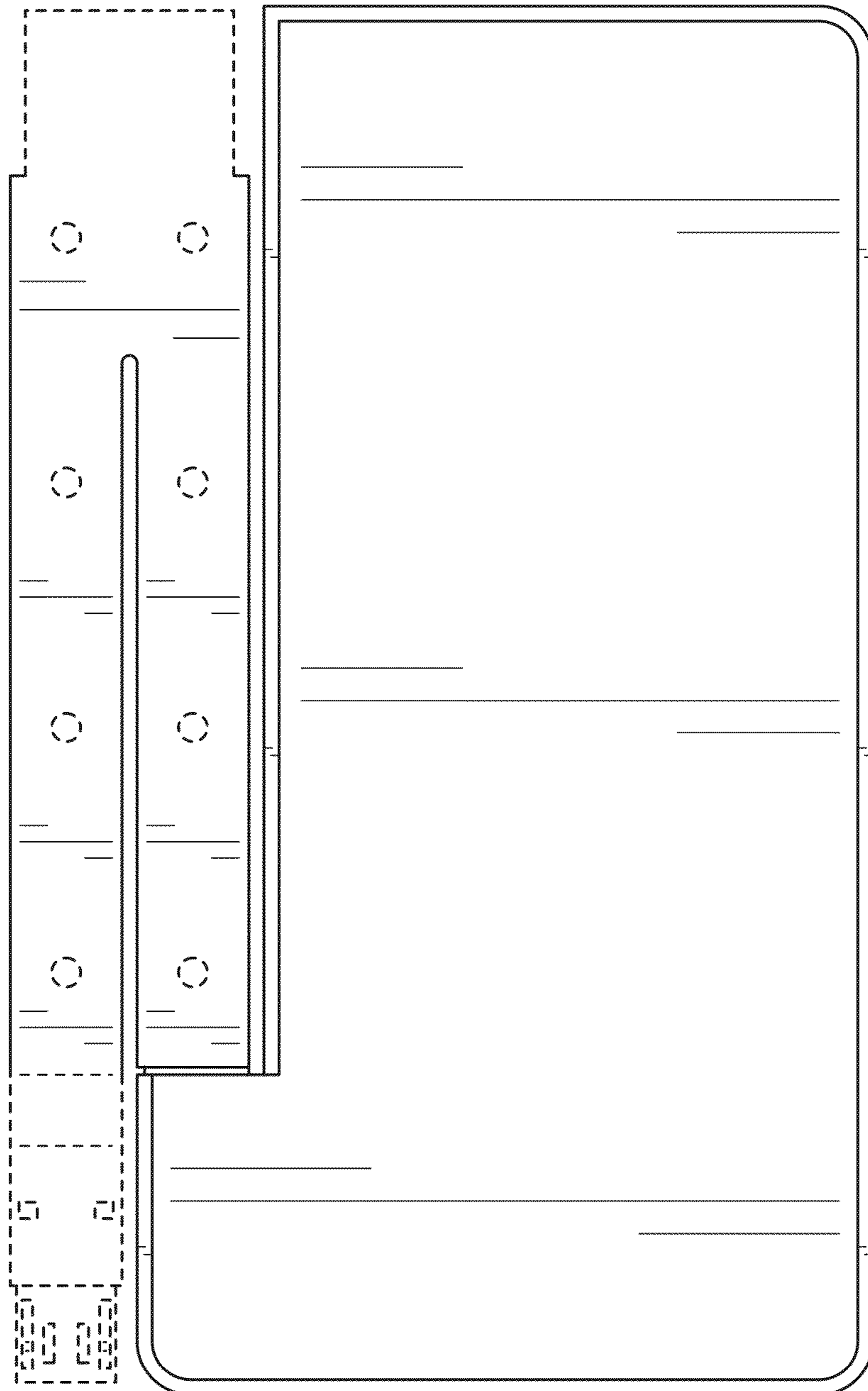


FIG. 3

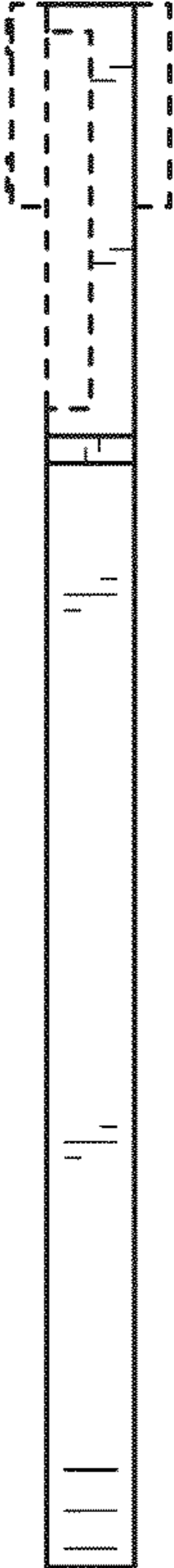


FIG. 4

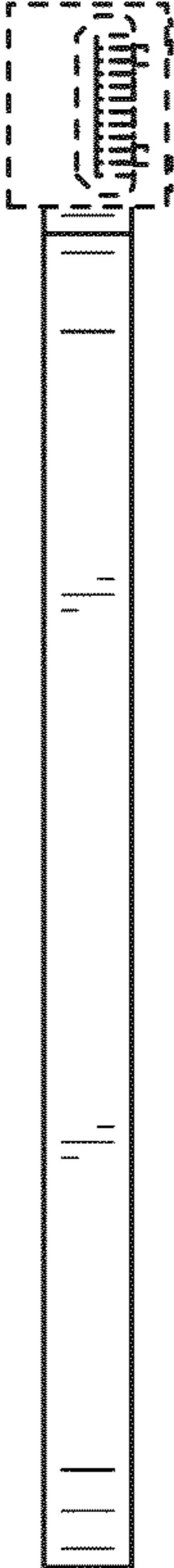


FIG. 5

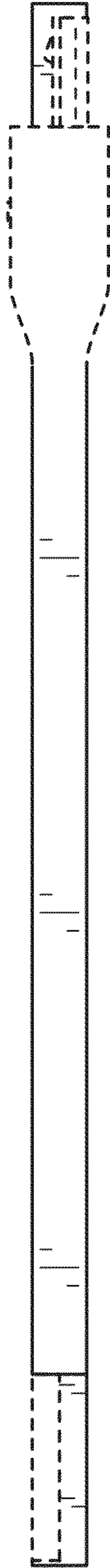


FIG. 6

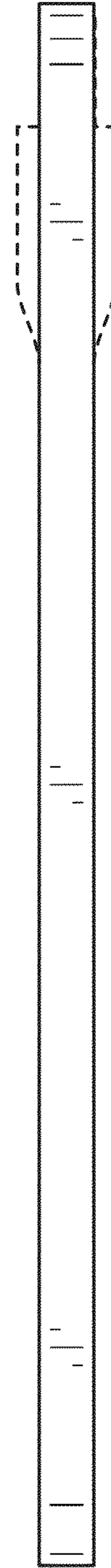


FIG. 7

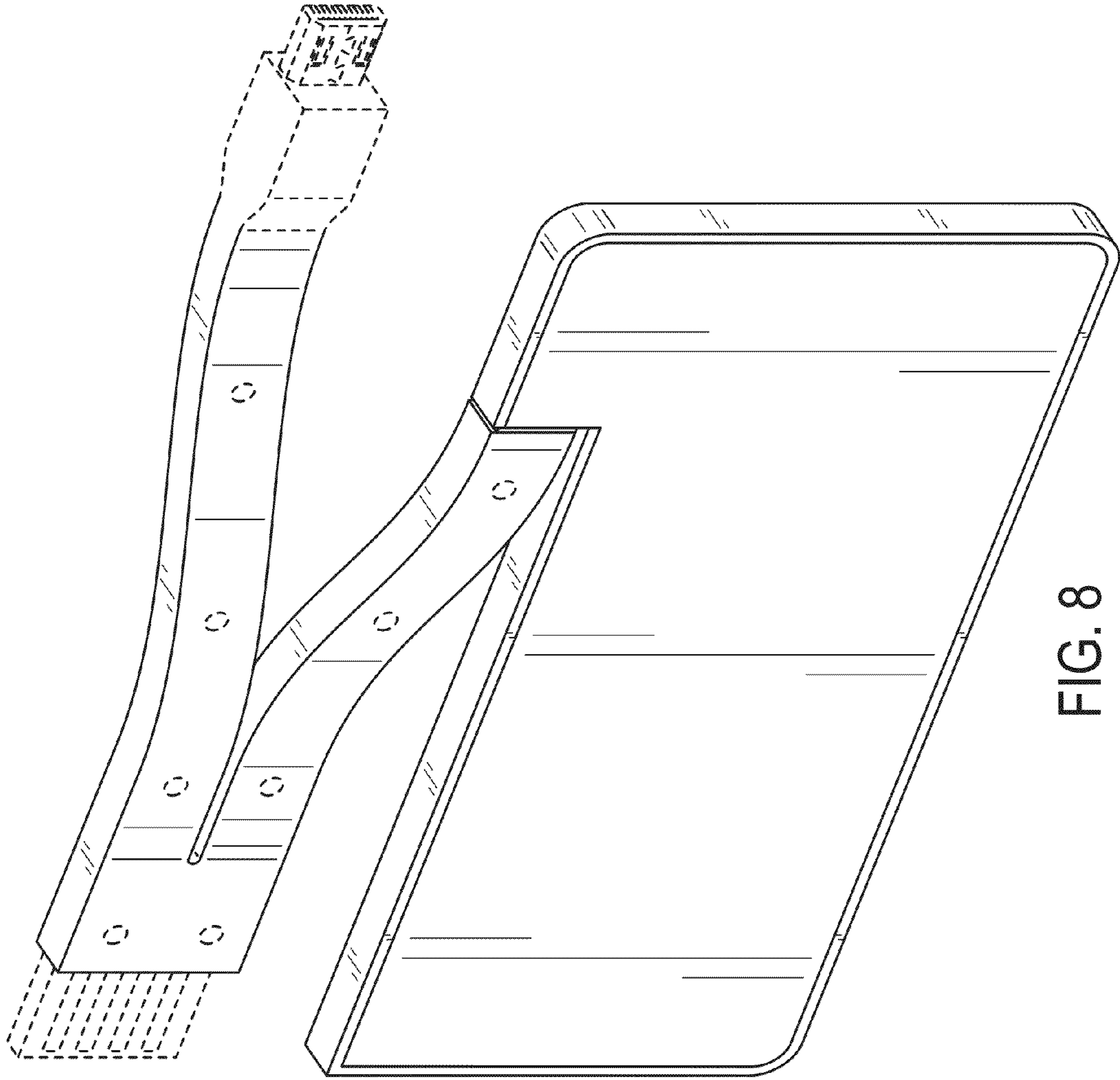


FIG. 8

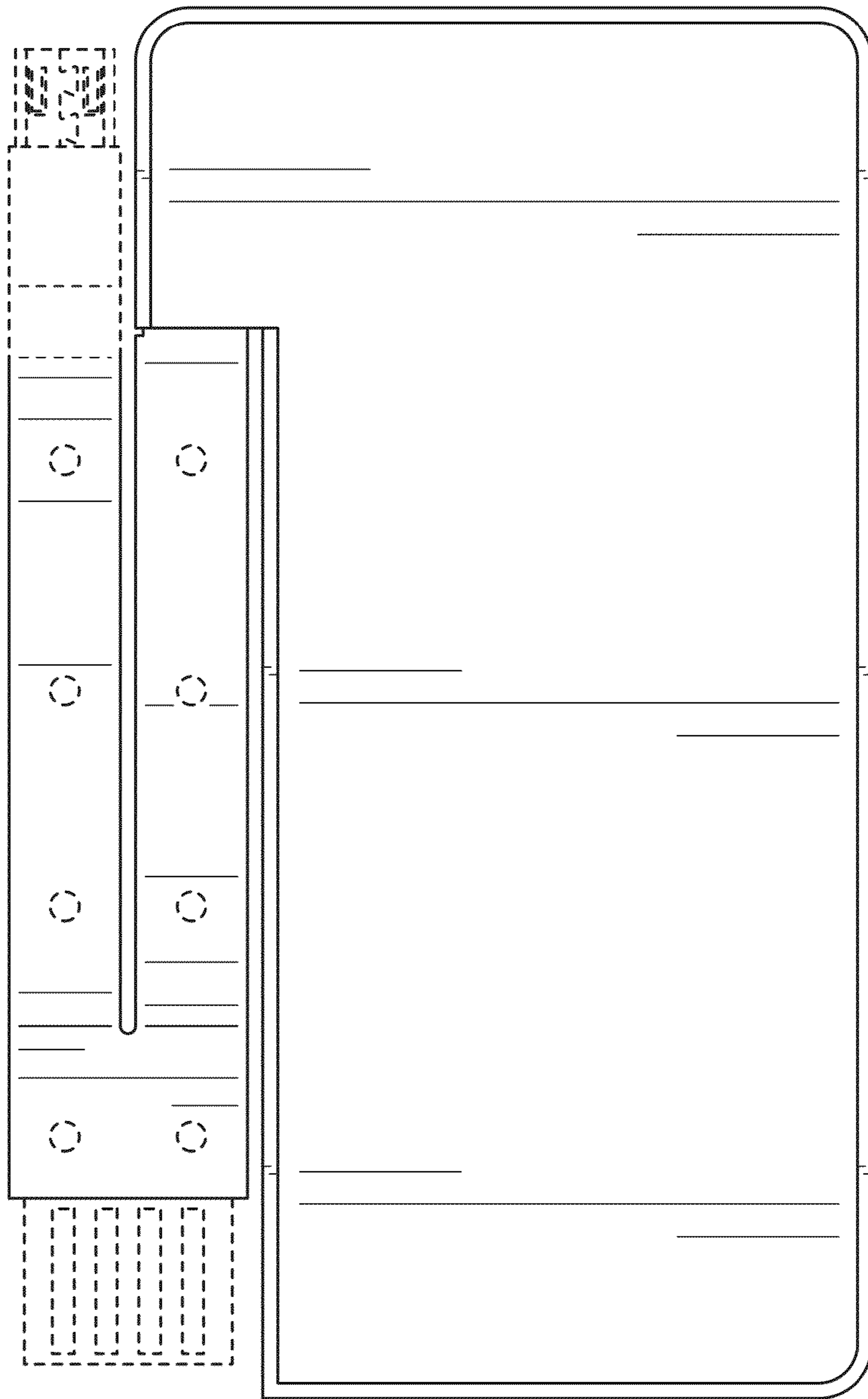


FIG. 9

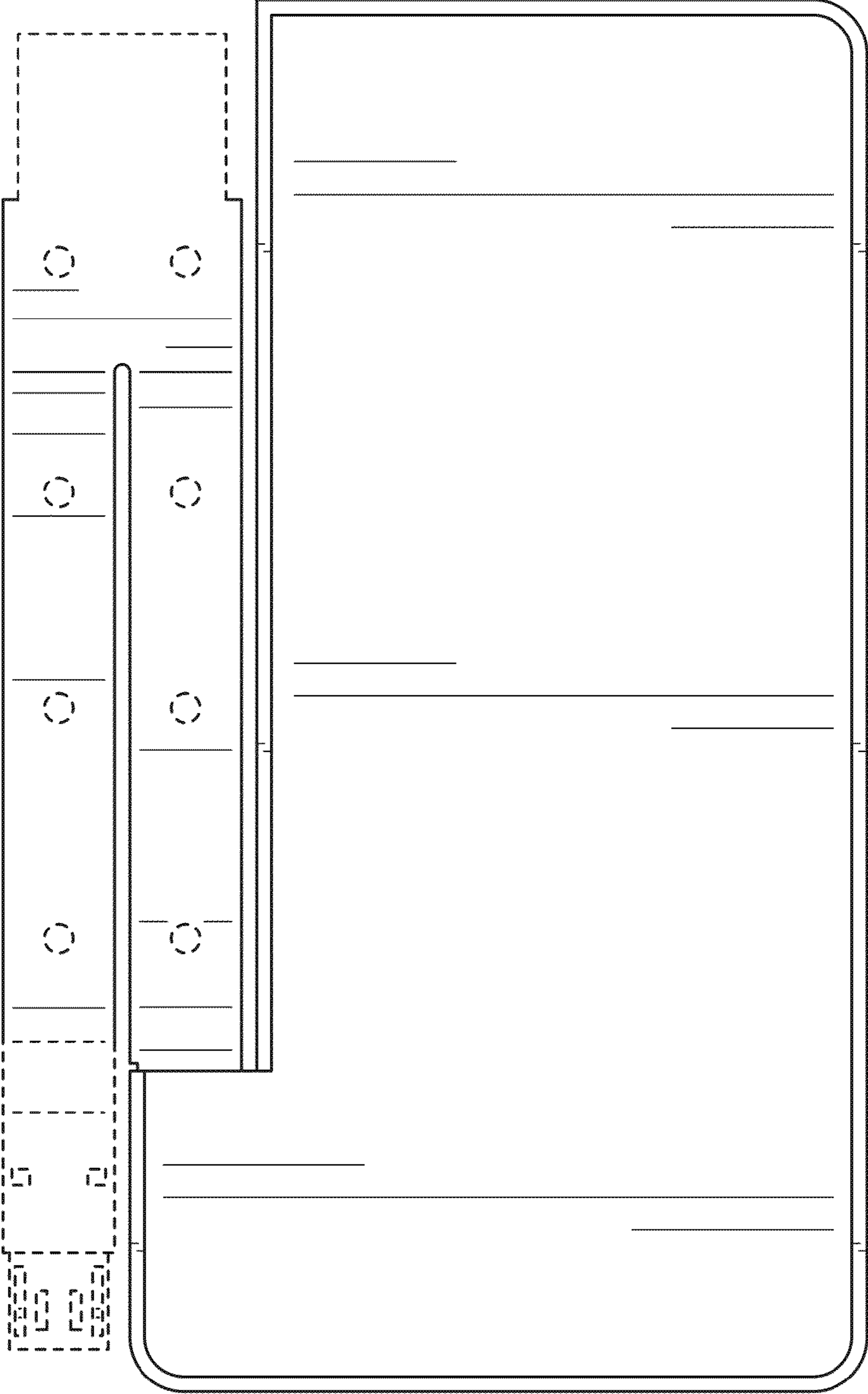


FIG. 10

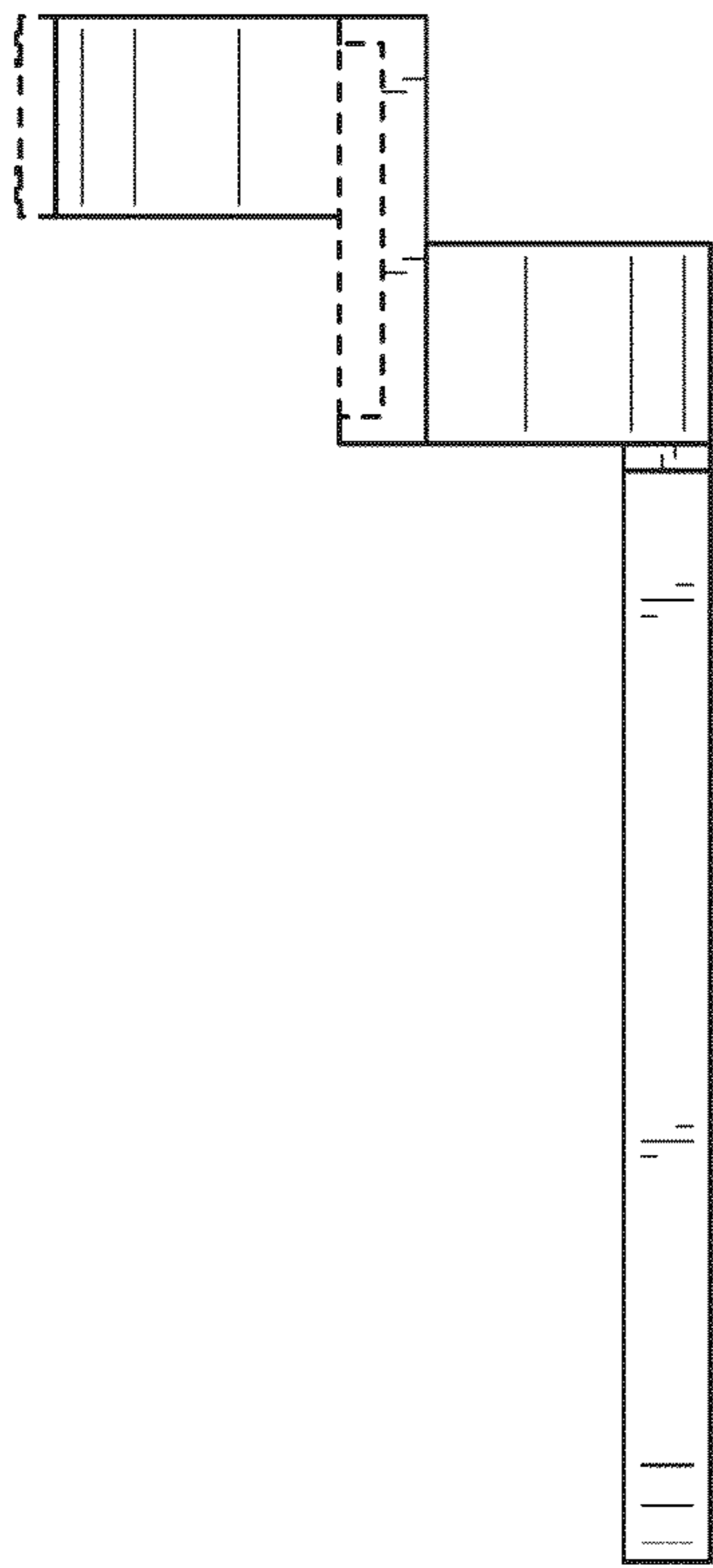


FIG. 11

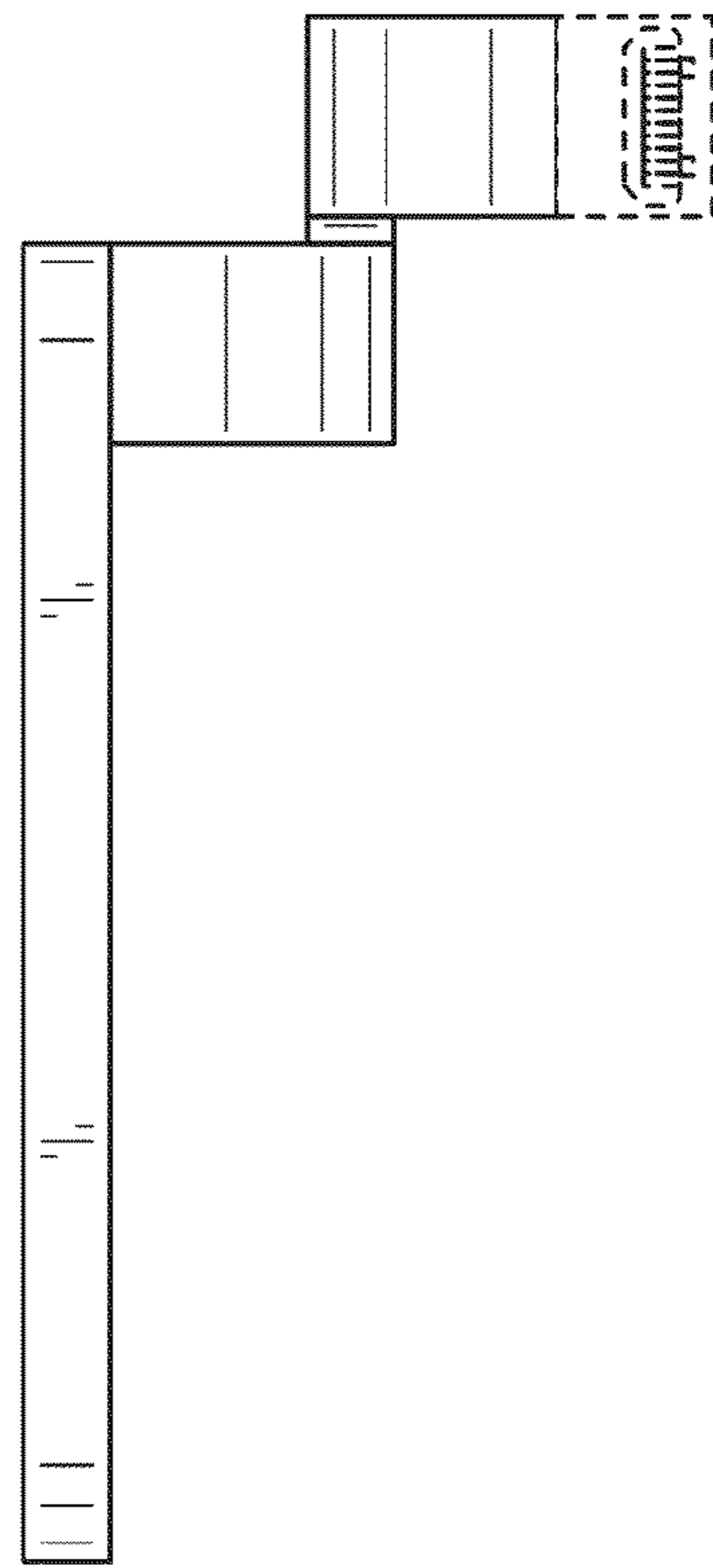


FIG. 12

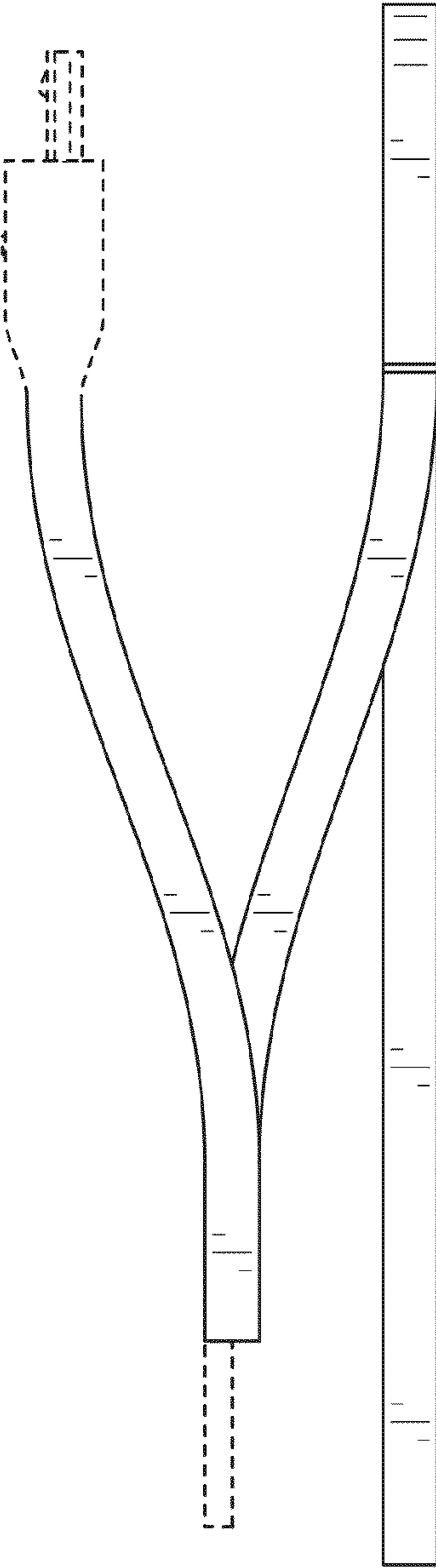


FIG. 13

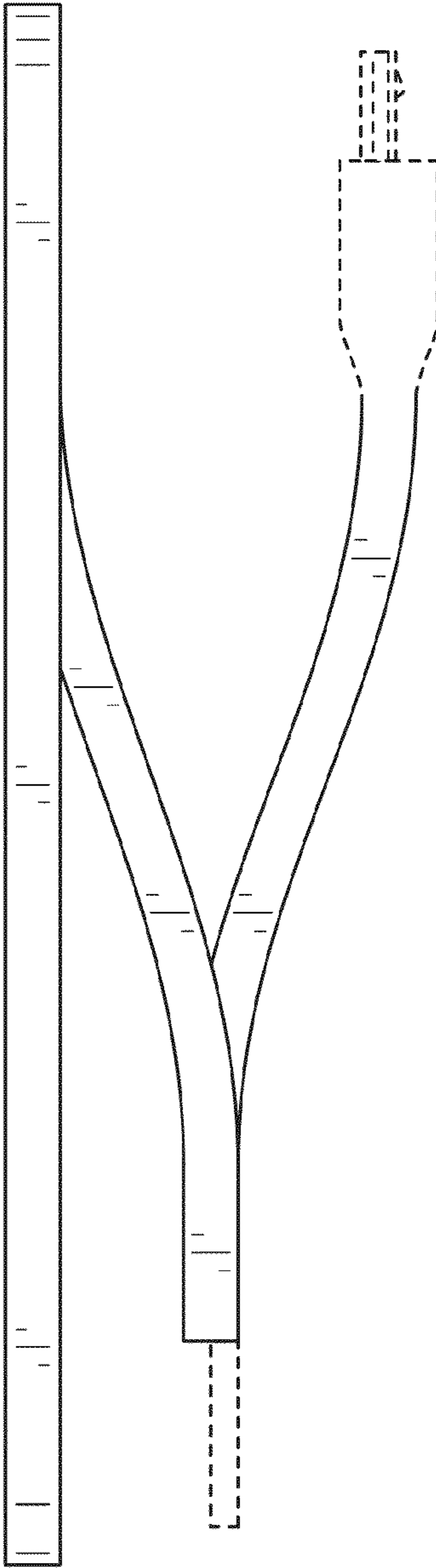


FIG. 14