



US00D716219S

(12) **United States Design Patent**  
**Quinlan et al.**

(10) **Patent No.:** **US D716,219 S**

(45) **Date of Patent:** **\*\* Oct. 28, 2014**

(54) **MASONRY UNIT INCLUDING A PHOTOVOLTAIC CELL MODULE**  
(71) Applicant: **SolaBlock LLC**, Springfield, MA (US)  
(72) Inventors: **Patrick John Adrian Quinlan**, Hadley, MA (US); **Jonathan Richard Lewis**, Amherst, MA (US); **Jason Michael Laverty**, Westfield, MA (US)

(73) Assignee: **SolaBlock LLC**, Hadley, MA (US)

(\*\*) Term: **14 Years**

(21) Appl. No.: **29/479,589**

(22) Filed: **Jan. 17, 2014**

(51) **LOC (10) Cl.** ..... **13-02**

(52) **U.S. Cl.**  
USPC ..... **D13/102**

(58) **Field of Classification Search**  
USPC ..... D13/102, 101, 107, 184, 199; D25/113, D25/114, 115, 116, 118; 52/173.3, 464, 52/665; 126/573, 580, 606, 621, 622, 623; 136/206, 230, 244-251, 256, 259, 291, 136/292; 343/792.5, 813, 878, 879; 361/212, 220; 439/562, 567, 573  
See application file for complete search history.

(56) **References Cited**

**U.S. PATENT DOCUMENTS**

D244,139 S \* 4/1977 England ..... D13/102  
4,565,043 A \* 1/1986 Mazzaresse ..... 52/592.6

D442,915 S \* 5/2001 Sasaoka ..... D13/119  
6,672,018 B2 \* 1/2004 Shingleton ..... 52/173.3  
D644,601 S \* 9/2011 Adriani ..... D13/102  
D667,371 S \* 9/2012 Shimosawa et al. .... D13/102  
D670,239 S \* 11/2012 Kannou et al. .... D13/102  
D673,303 S \* 12/2012 D'Avela ..... D25/114  
2010/0147359 A1 \* 6/2010 Harberts et al. .... 136/246  
2011/0091707 A1 \* 4/2011 Jousset et al. .... 428/220

\* cited by examiner

*Primary Examiner* — Derrick Holland

(74) *Attorney, Agent, or Firm* — Fish & Richardson P.C.

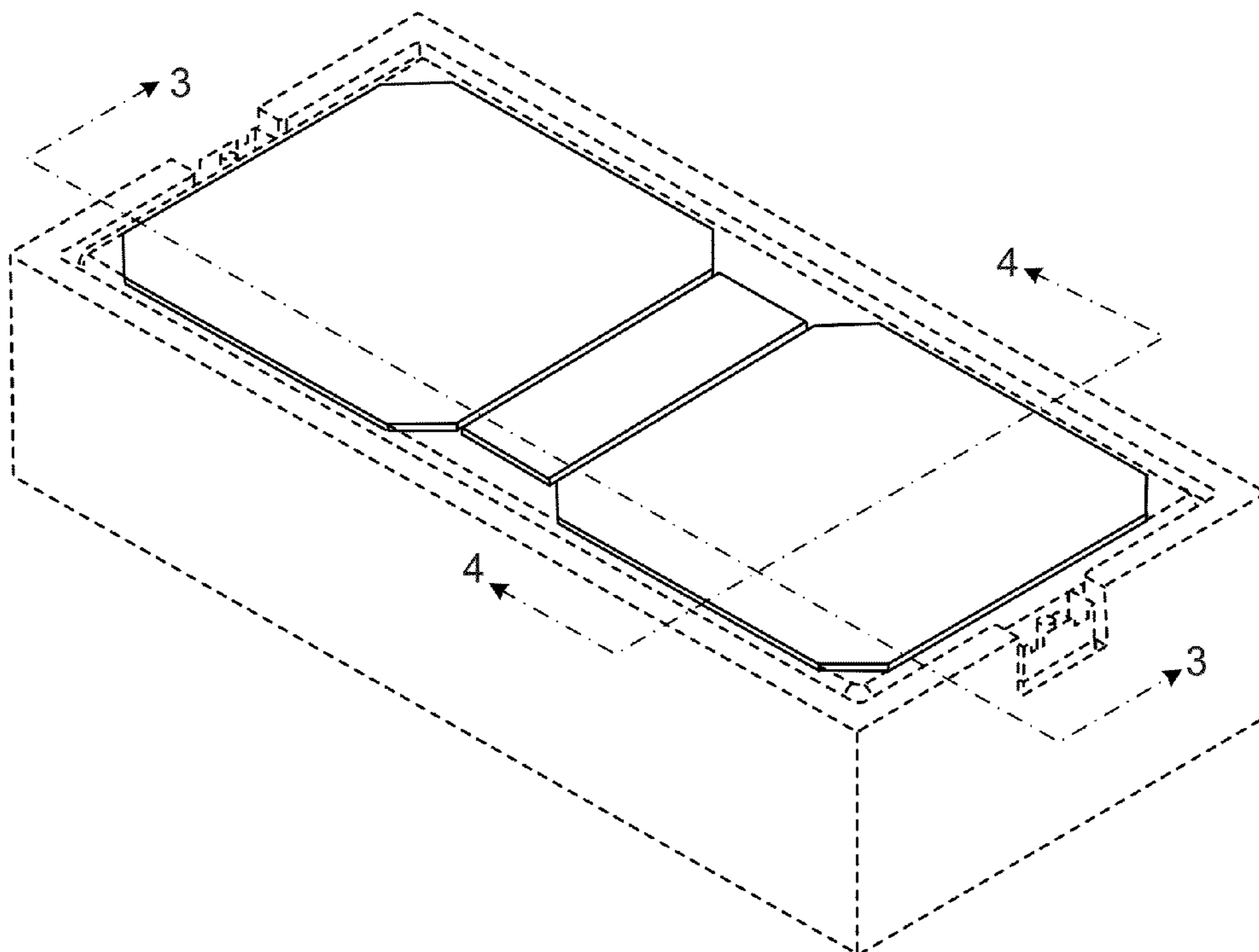
(57) **CLAIM**

The ornamental design for a masonry unit including a photovoltaic cell module, as shown and described.

**DESCRIPTION**

FIG. 1 is a top perspective view of a masonry unit including a photovoltaic cell module showing our new design.  
FIG. 2 is a top view of a masonry unit including a photovoltaic cell module showing our new design  
FIG. 3 is a cross-sectional view of a masonry unit including a photovoltaic cell module taken along line 3-3 of FIG. 1.  
FIG. 4 is a cross-sectional view of a masonry unit including a photovoltaic cell module taken along line 4-4 of FIG. 1; and, FIG. 5 is cut away perspective view of a masonry unit including a photovoltaic cell module showing our new design.  
The features of the masonry unit and photovoltaic cell module shown in broken lines depict environmental subject matter only and form no part of the claimed design.

**1 Claim, 3 Drawing Sheets**



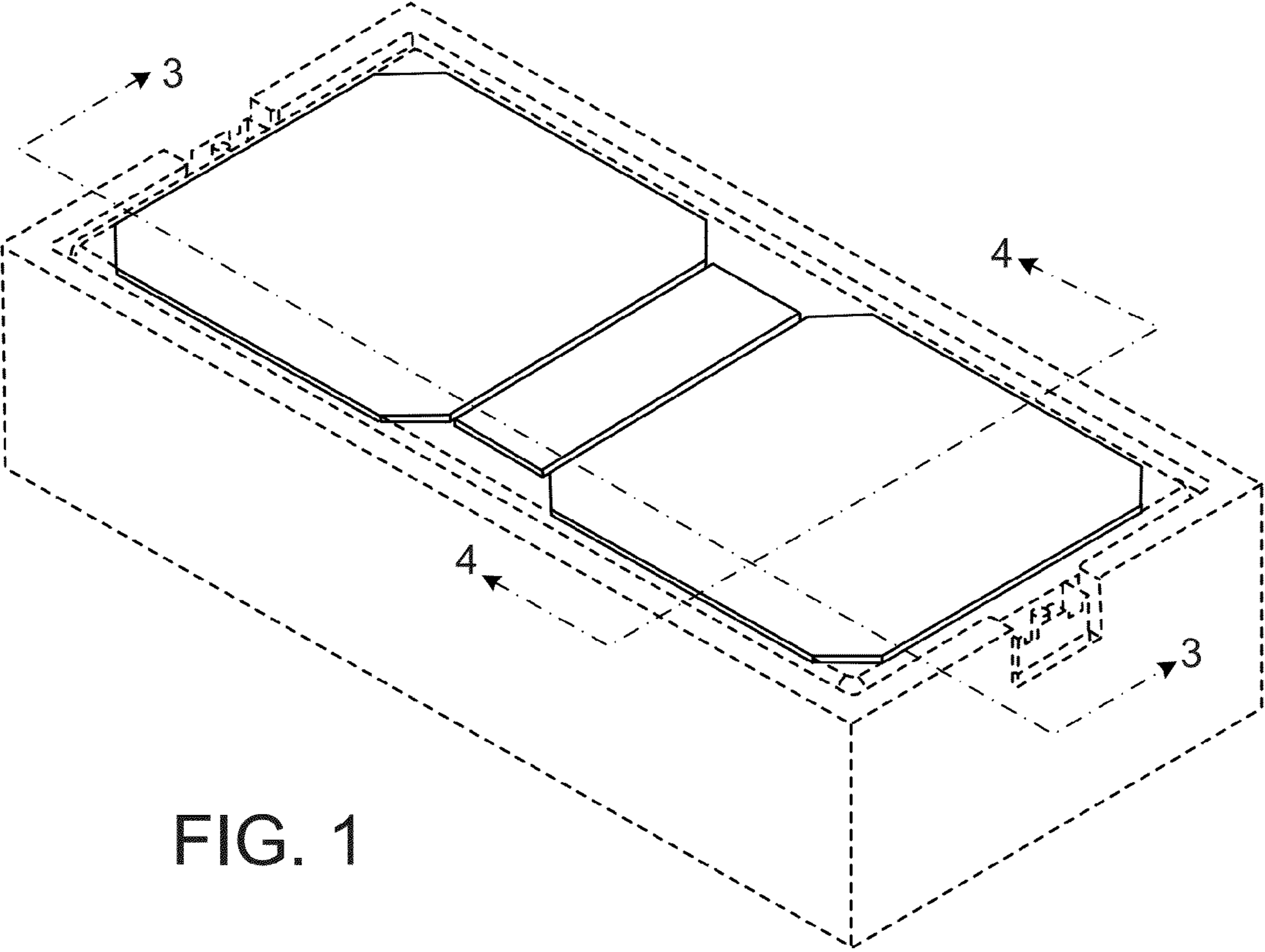


FIG. 1

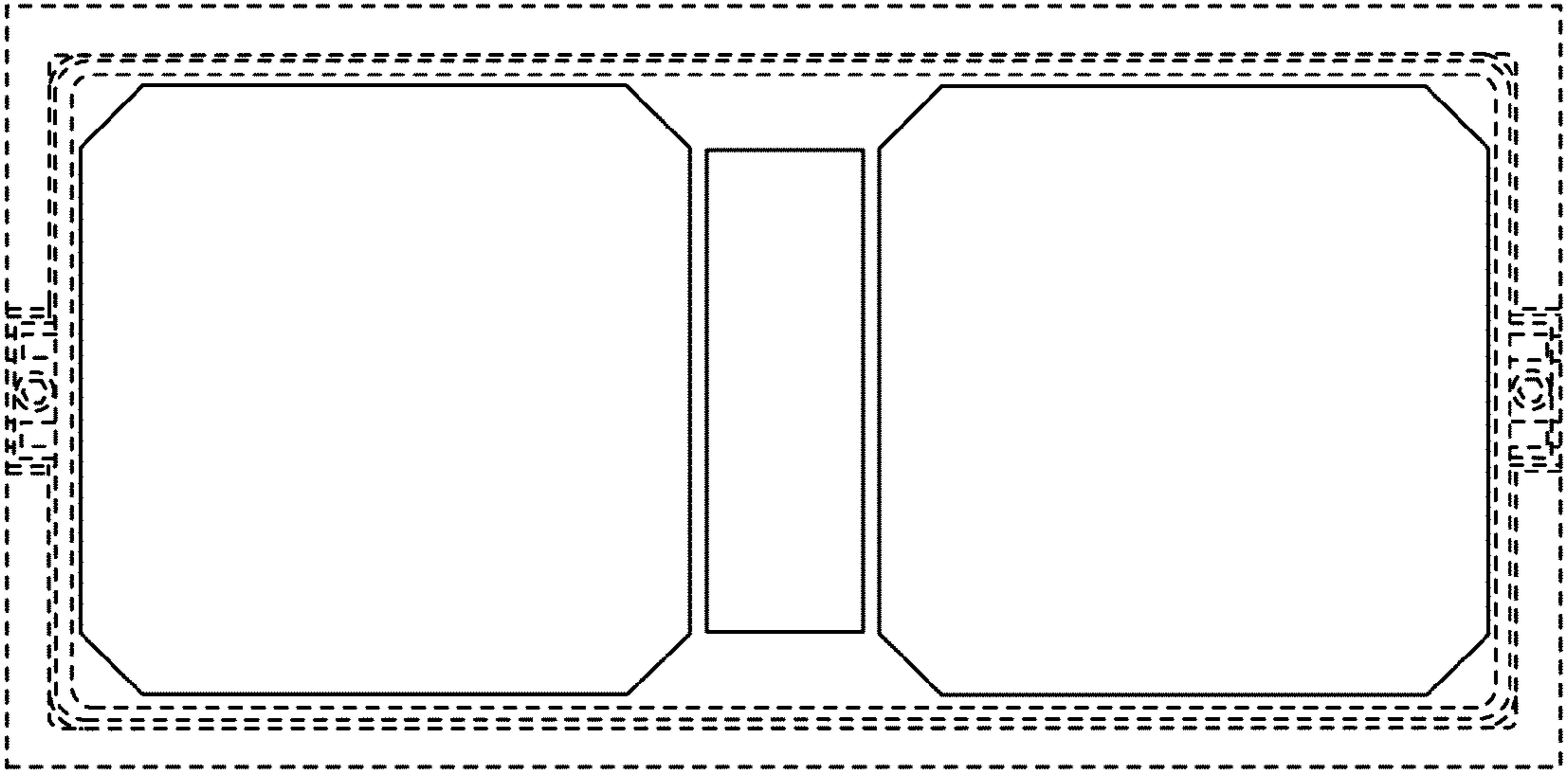


FIG. 2

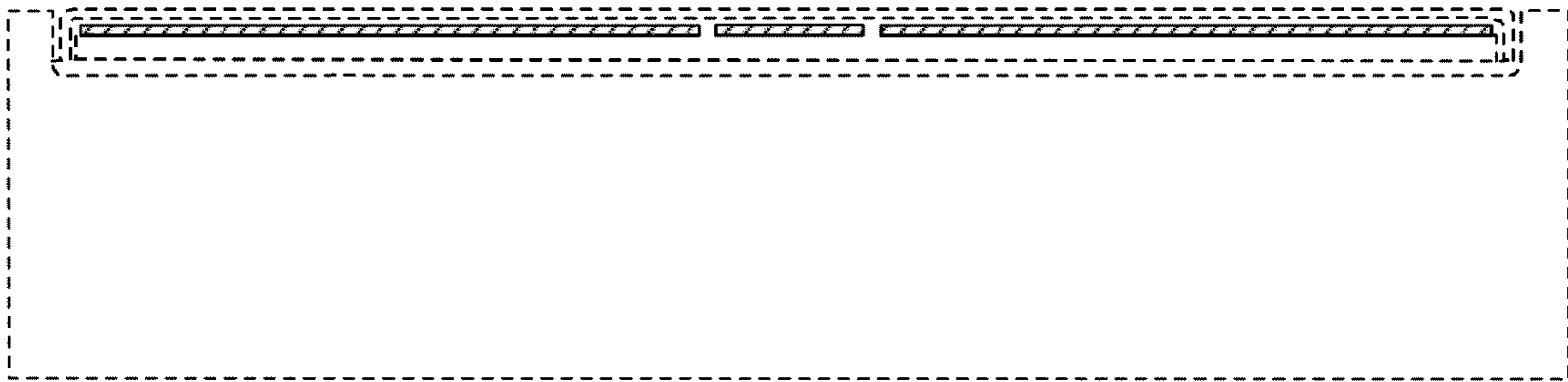


FIG. 3

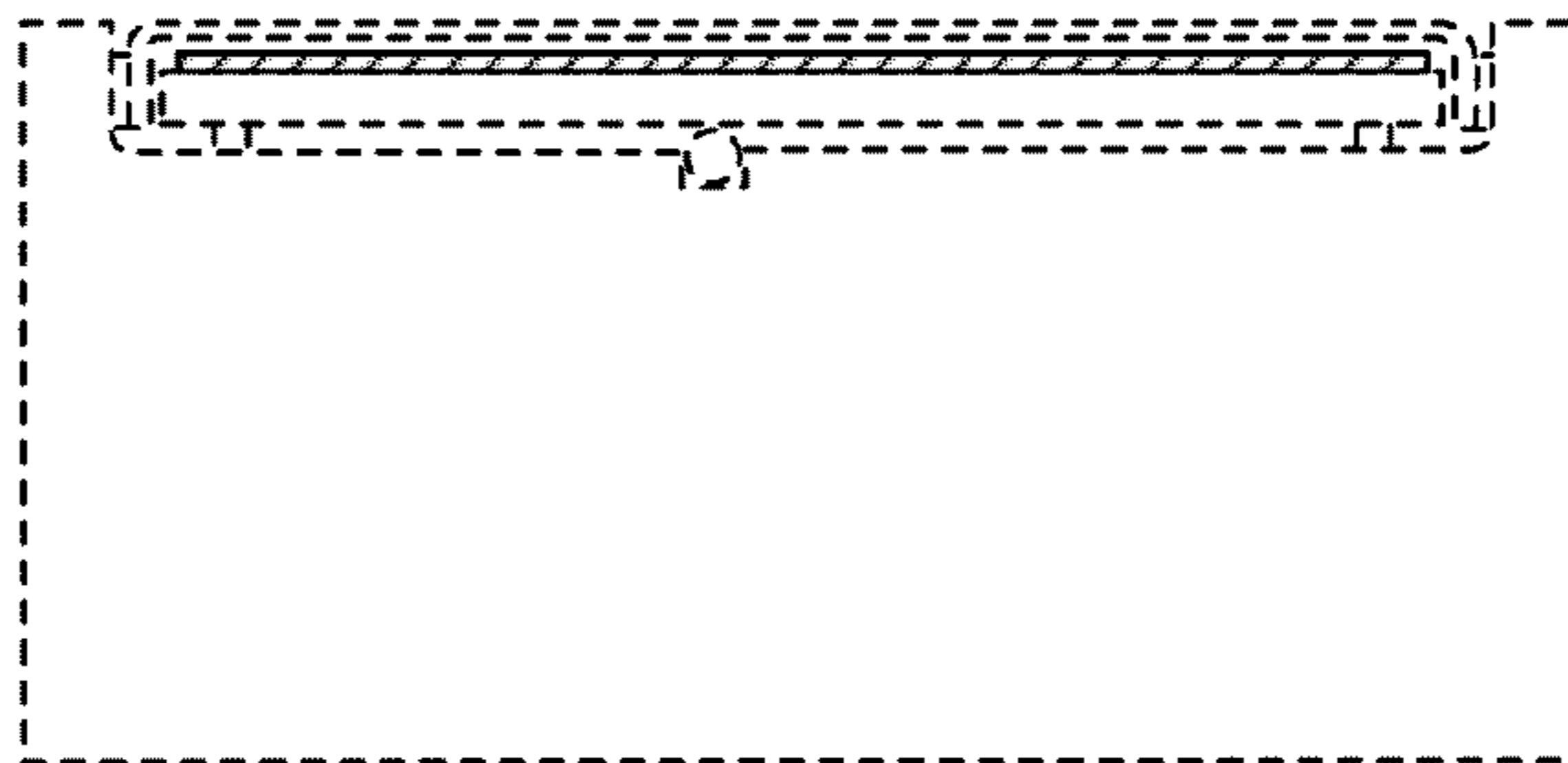


FIG. 4

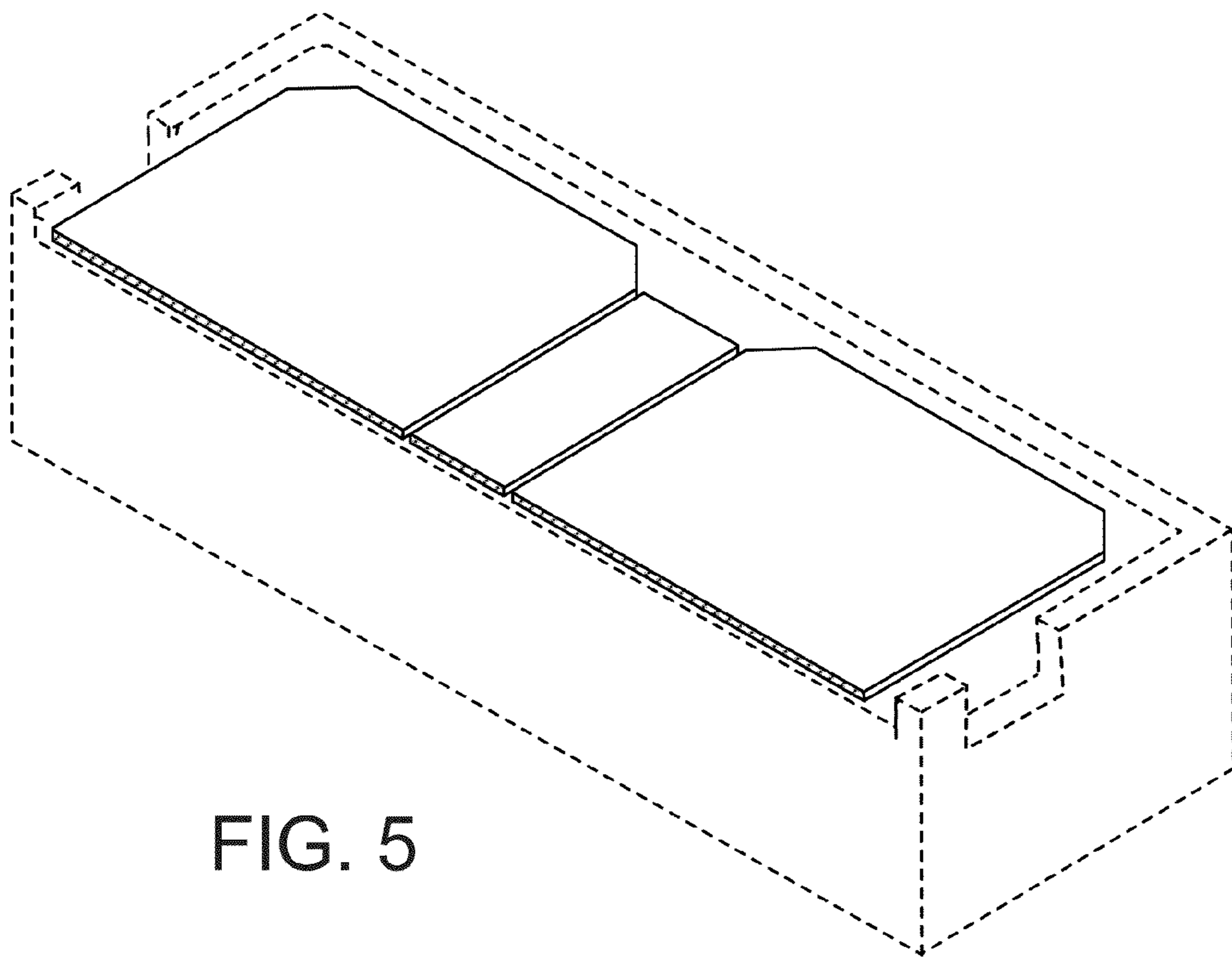


FIG. 5