



US00D716215S

(12) **United States Design Patent**  
**Dunn**

(10) **Patent No.:** **US D716,215 S**  
(45) **Date of Patent:** **\*\* Oct. 28, 2014**

(54) **CAR DASHBOARD COMPACT DISC SLOT MOUNTED CELL PHONE HOLDER**

(71) Applicant: **Chance Dunn**, Livermore, CA (US)

(72) Inventor: **Chance Dunn**, Livermore, CA (US)

(\*\*) Term: **14 Years**

(21) Appl. No.: **29/445,734**

(22) Filed: **Feb. 15, 2013**

(51) **LOC (10) Cl.** ..... **12-16**

(52) **U.S. Cl.**  
USPC ..... **D12/415**

(58) **Field of Classification Search**  
USPC ..... D12/415-425, 191, 106, 400, 195, 345,  
D12/96, 99; 312/246; 296/97.1-97.8, 70,  
296/24.1-24.3, 24.32; 224/311, 539, 281,  
224/118.1

See application file for complete search history.

(56) **References Cited**

**U.S. PATENT DOCUMENTS**

|                   |        |              |       |           |
|-------------------|--------|--------------|-------|-----------|
| D560,592 S *      | 1/2008 | Brassard     | ..... | D12/415   |
| D586,348 S *      | 2/2009 | Leung et al. | ..... | D14/434   |
| D676,371 S *      | 2/2013 | Son          | ..... | D12/415   |
| D682,772 S *      | 5/2013 | Massaad      | ..... | D12/415   |
| D700,129 S *      | 2/2014 | Koga         | ..... | D12/415   |
| 2002/0009194 A1 * | 1/2002 | Wong et al.  | ..... | 379/449   |
| 2007/0015547 A1 * | 1/2007 | Grier        | ..... | 455/569.1 |

\* cited by examiner

*Primary Examiner* — Katrina A Betton

(74) *Attorney, Agent, or Firm* — Schmeiser, Olsen & Watts, LLP

(57) **CLAIM**

The ornamental design for a car dashboard compact disc slot mounted cell phone holder, as shown and described.

**DESCRIPTION**

FIG. 1 is a rear perspective exploded view of a car dashboard compact disc slot mounted cell phone holder design;

FIG. 2 is a rear perspective view thereof;

FIG. 3 is a rear view thereof;

FIG. 4 is a front view thereof;

FIG. 5 is a right side view thereof;

FIG. 6 is a top view thereof; and,

FIG. 7 is a bottom view thereof.

FIG. 8 is a front perspective view of the design as mounted in a car dashboard compact disc slot holding a cell phone.

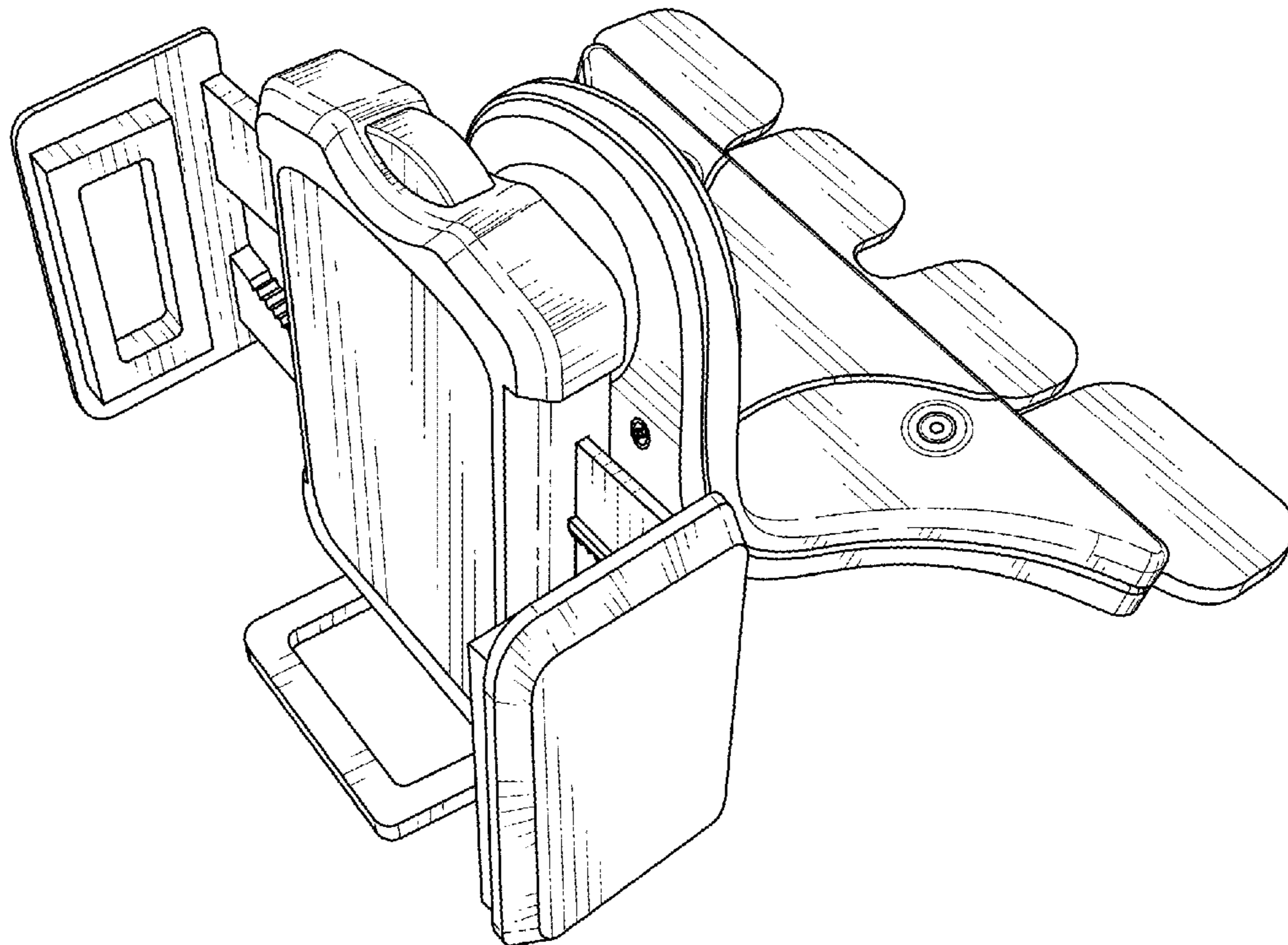
FIG. 9 is a left side view of the design as mounted in a car dashboard compact disc slot while not holding a cell phone.

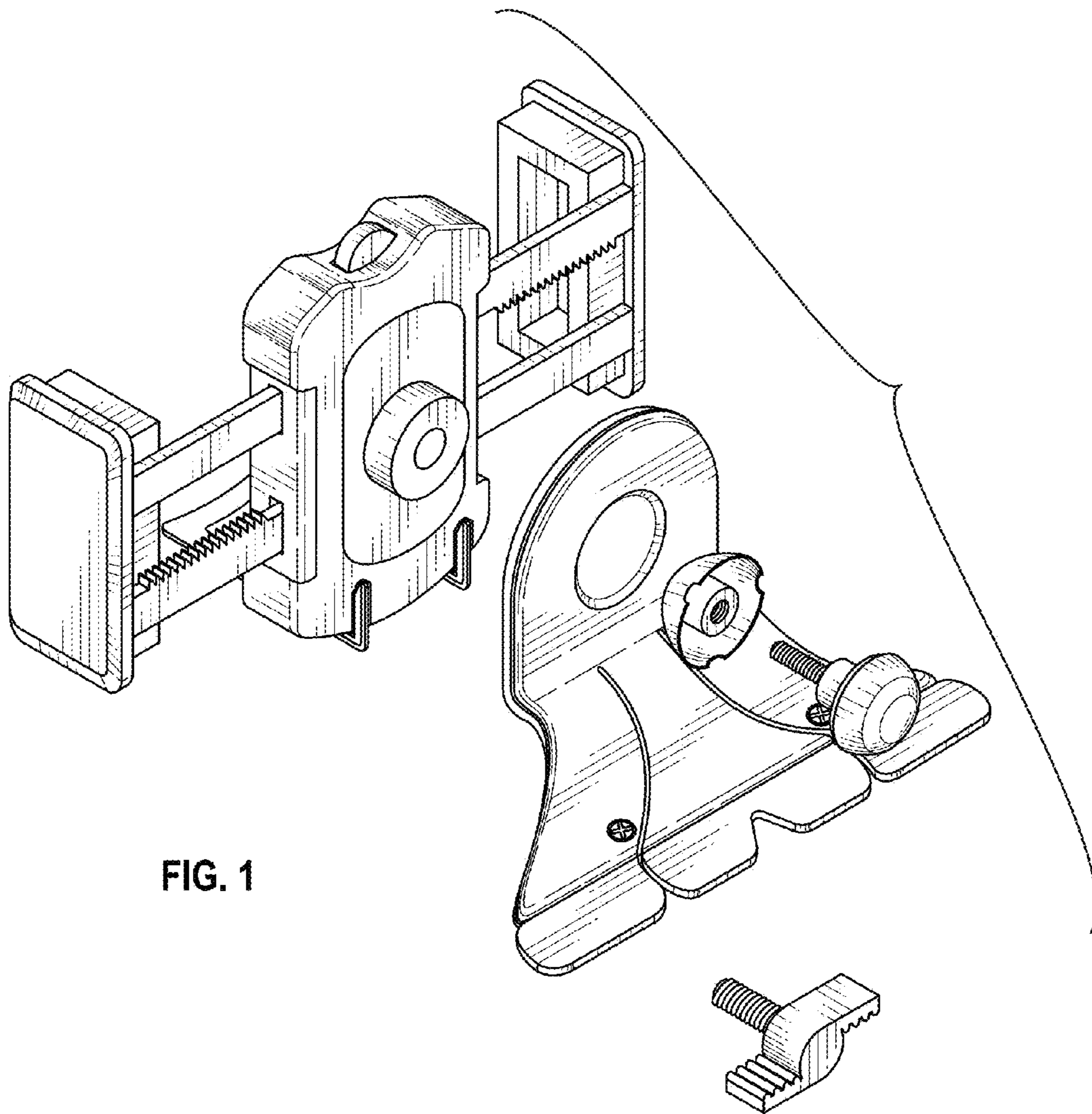
FIG. 10 is a top right front perspective view of the design thereof; and,

FIG. 11 is a bottom left side perspective view of the design thereof.

The broken lines showing a car dashboard and electronic hand held device in FIG. 8 and a car dashboard in FIG. 9 are for illustrative purposes and form no part of the claimed design.

**1 Claim, 11 Drawing Sheets**





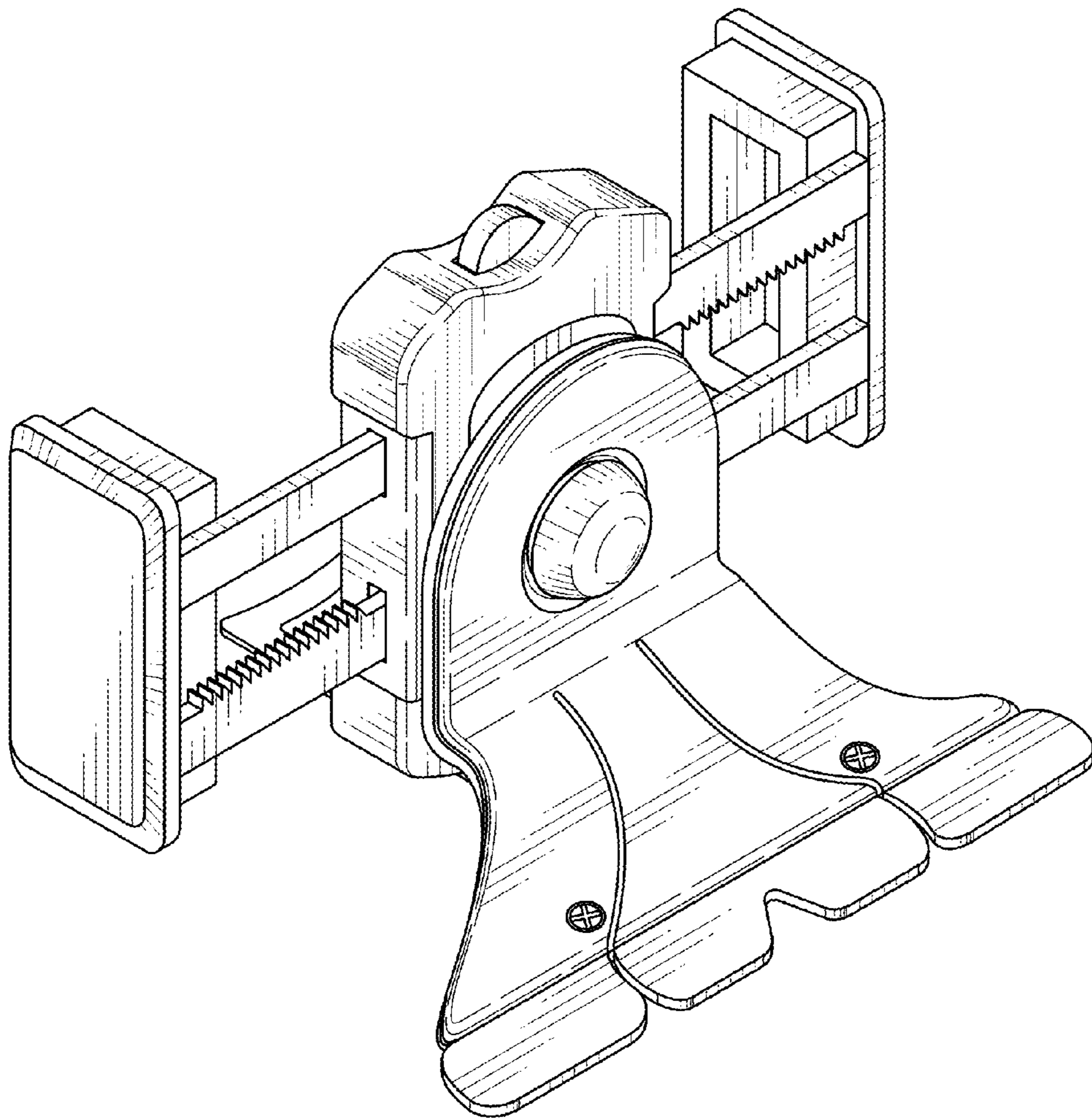


FIG. 2



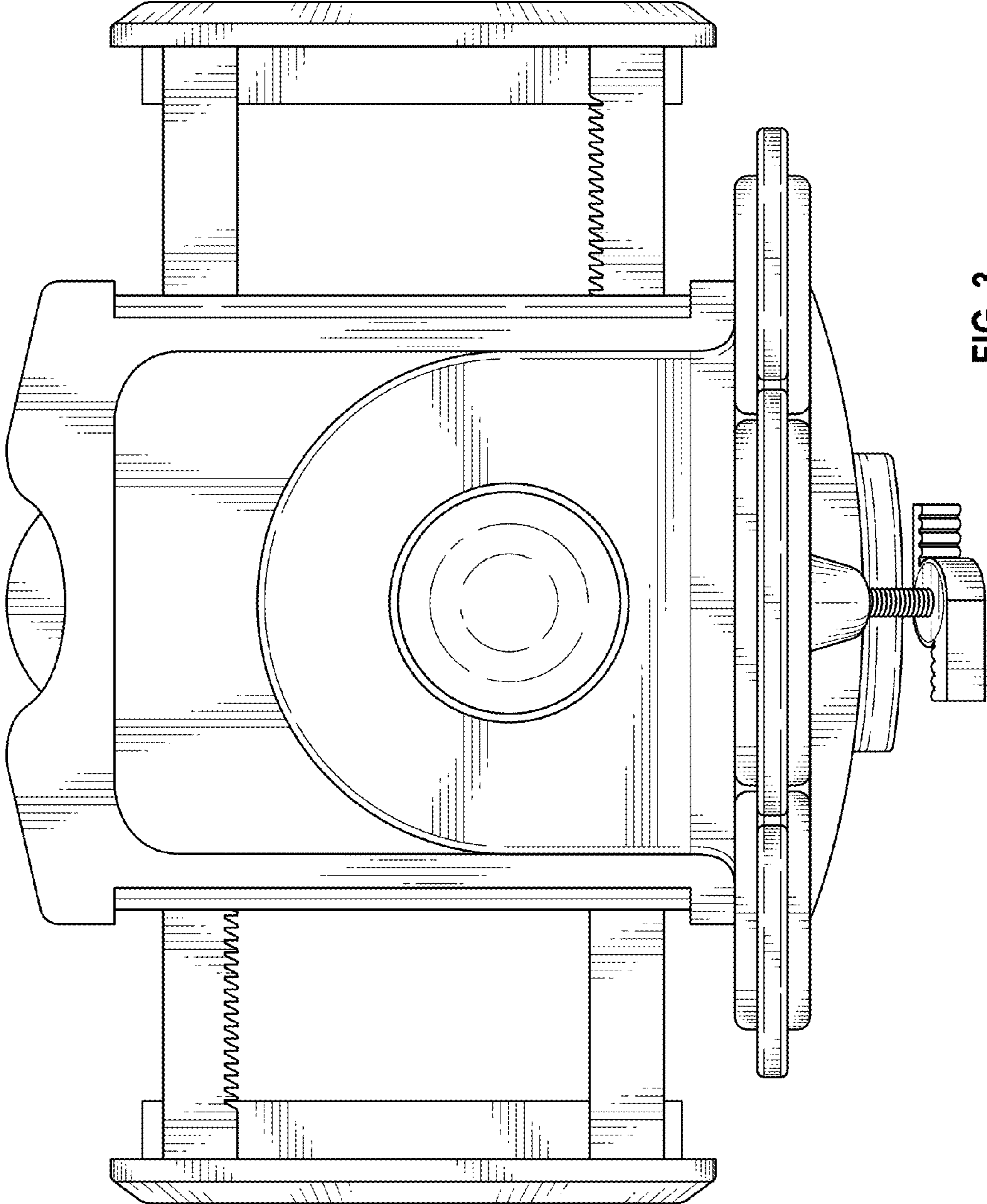


FIG. 3

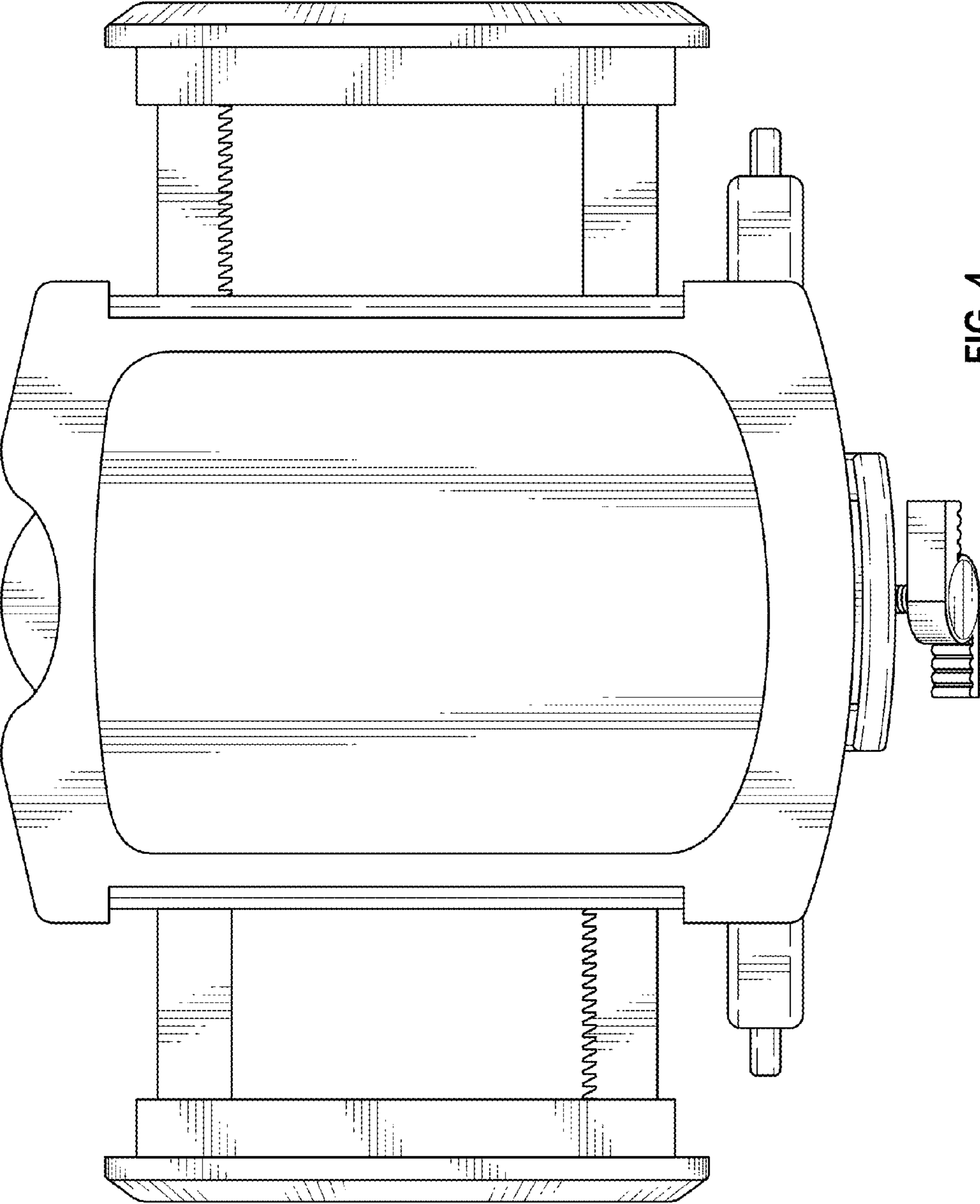


FIG. 4

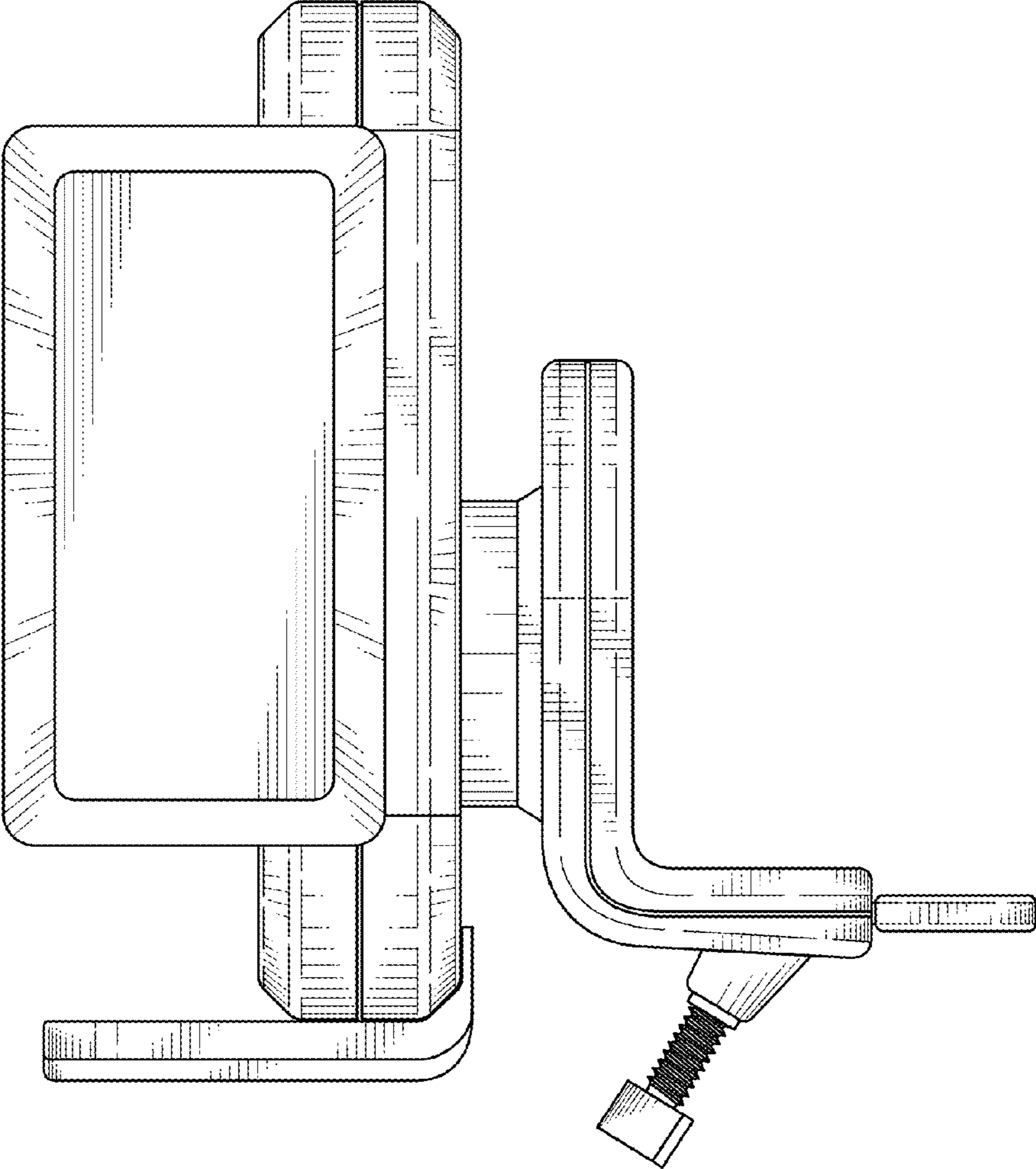


FIG. 5

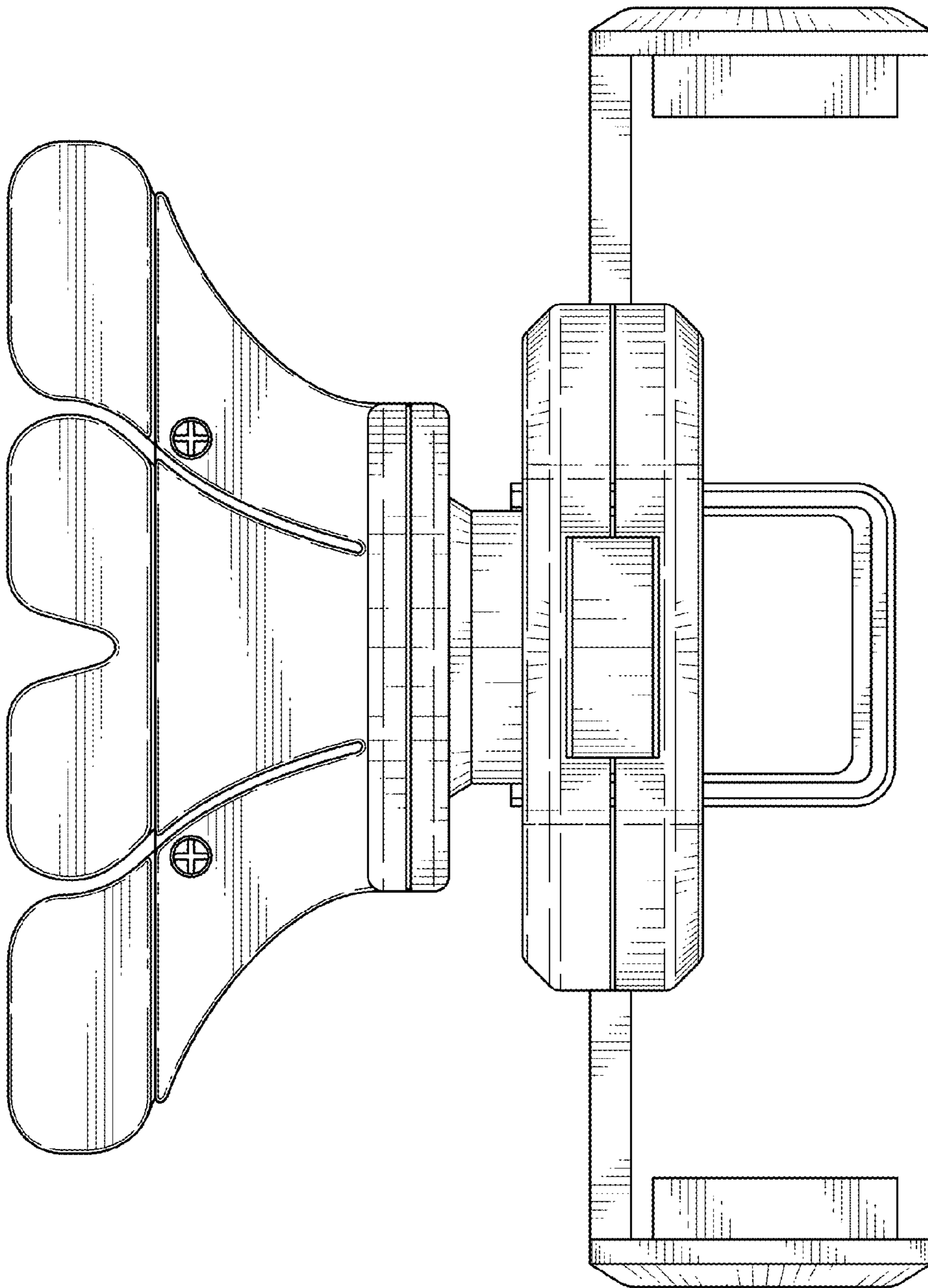


FIG. 6

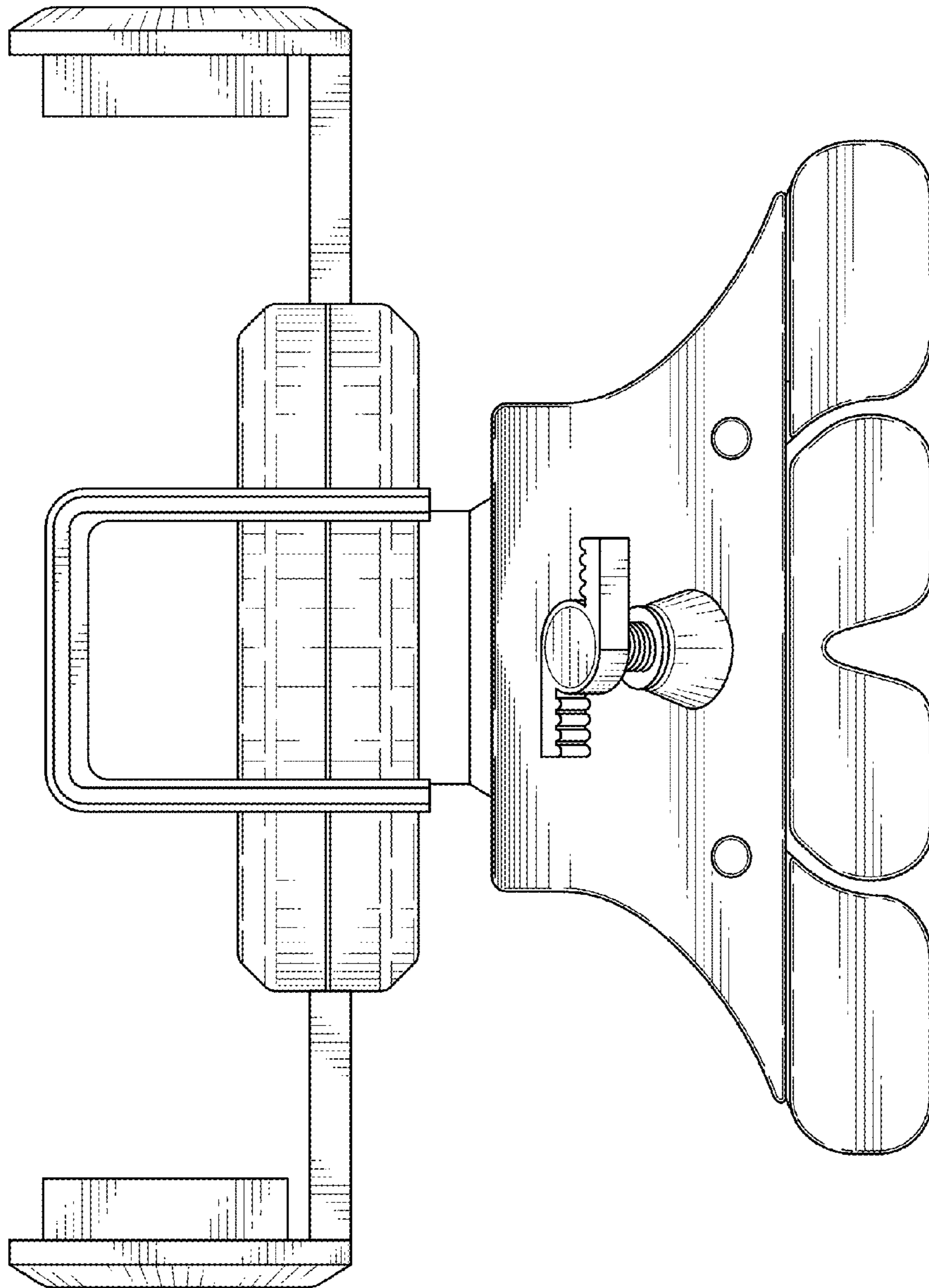


FIG. 7



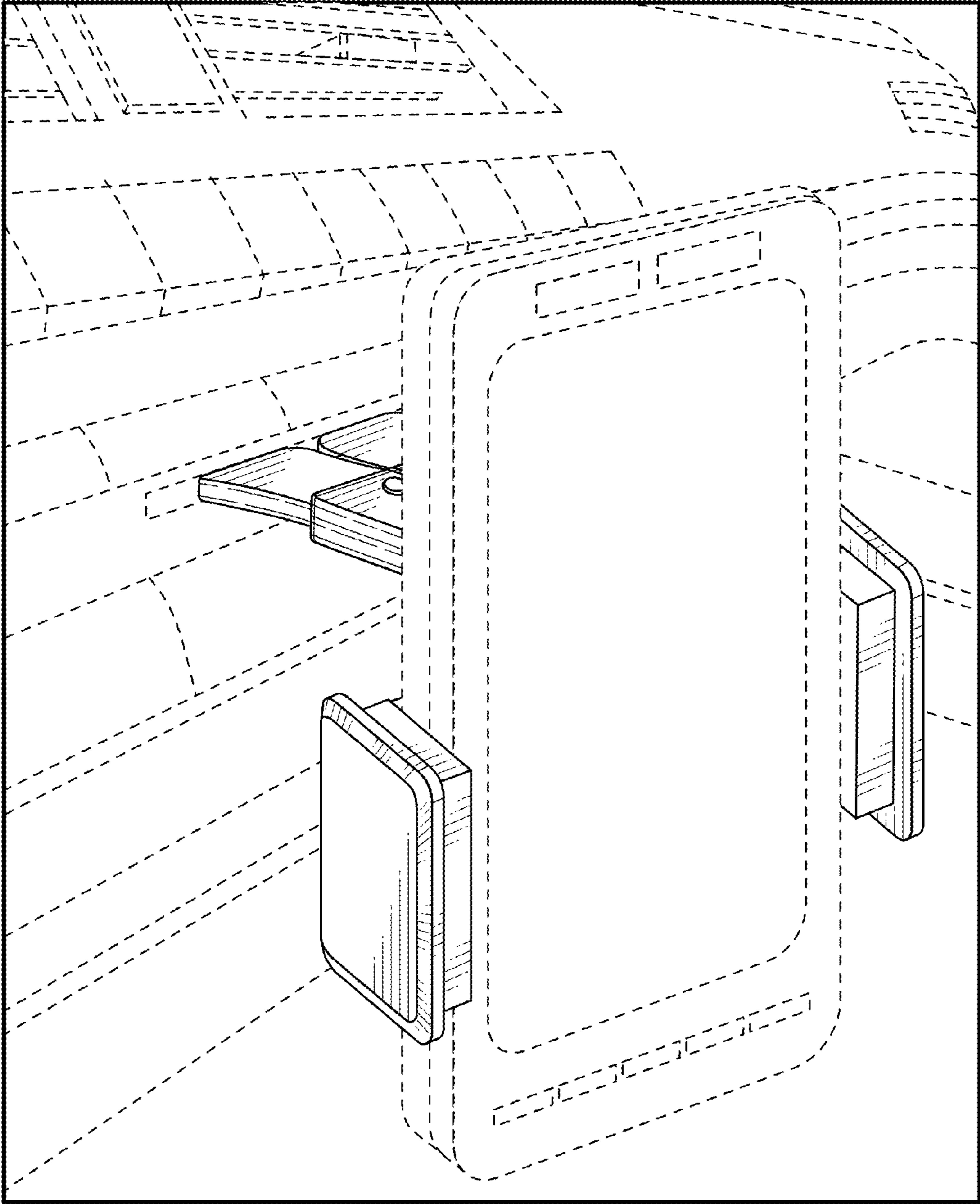


FIG. 8

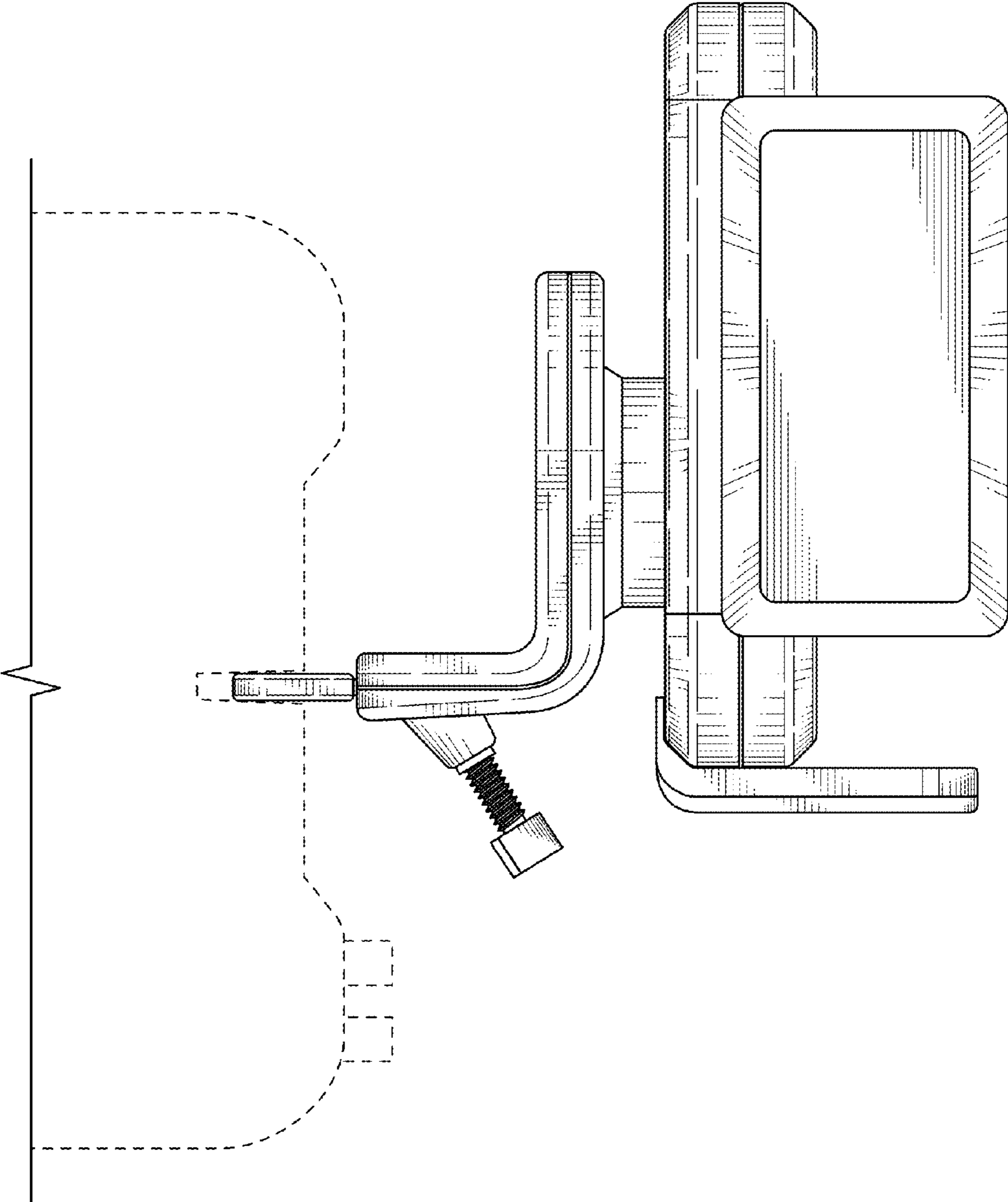


FIG. 9

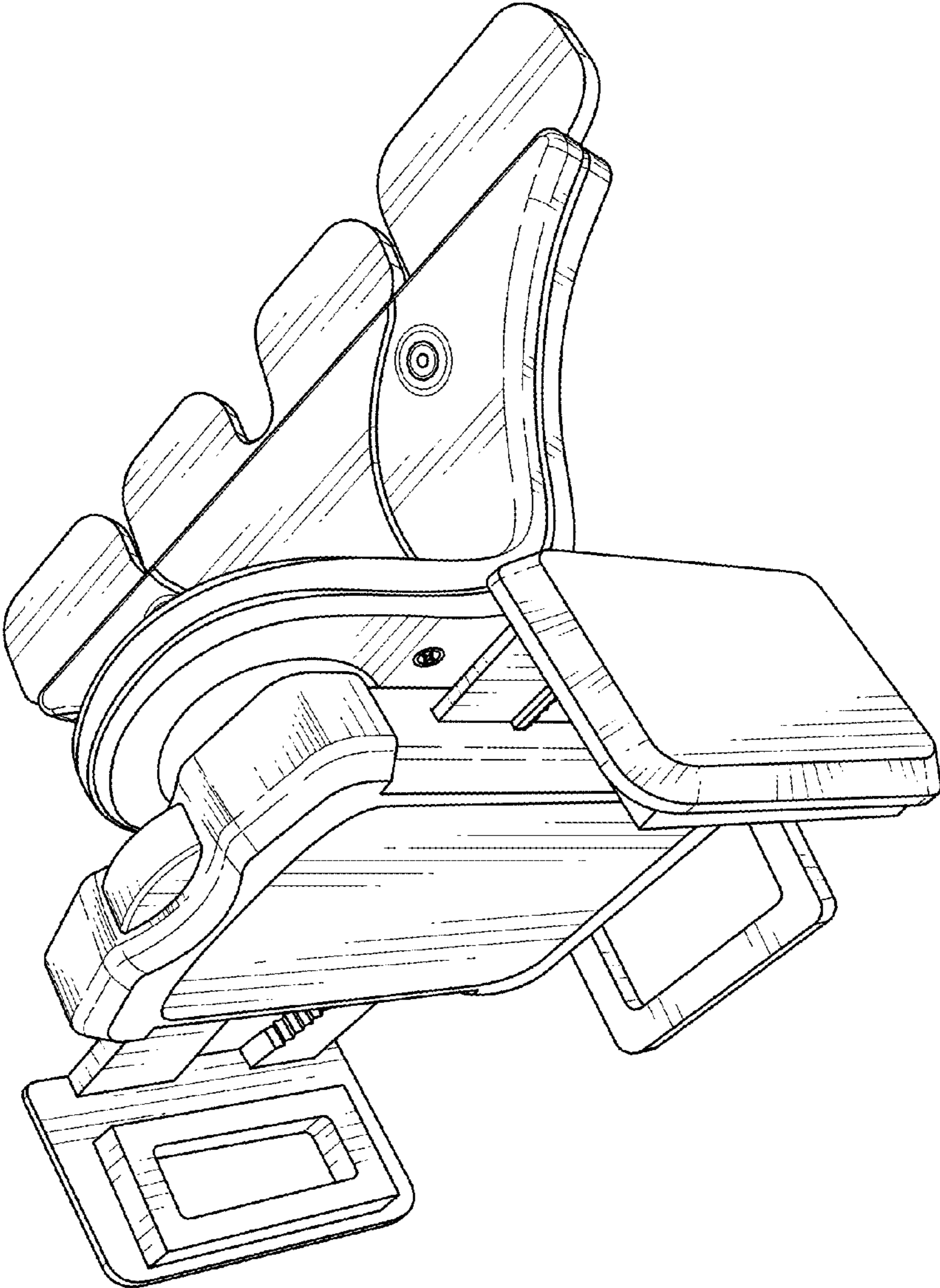


FIG. 10

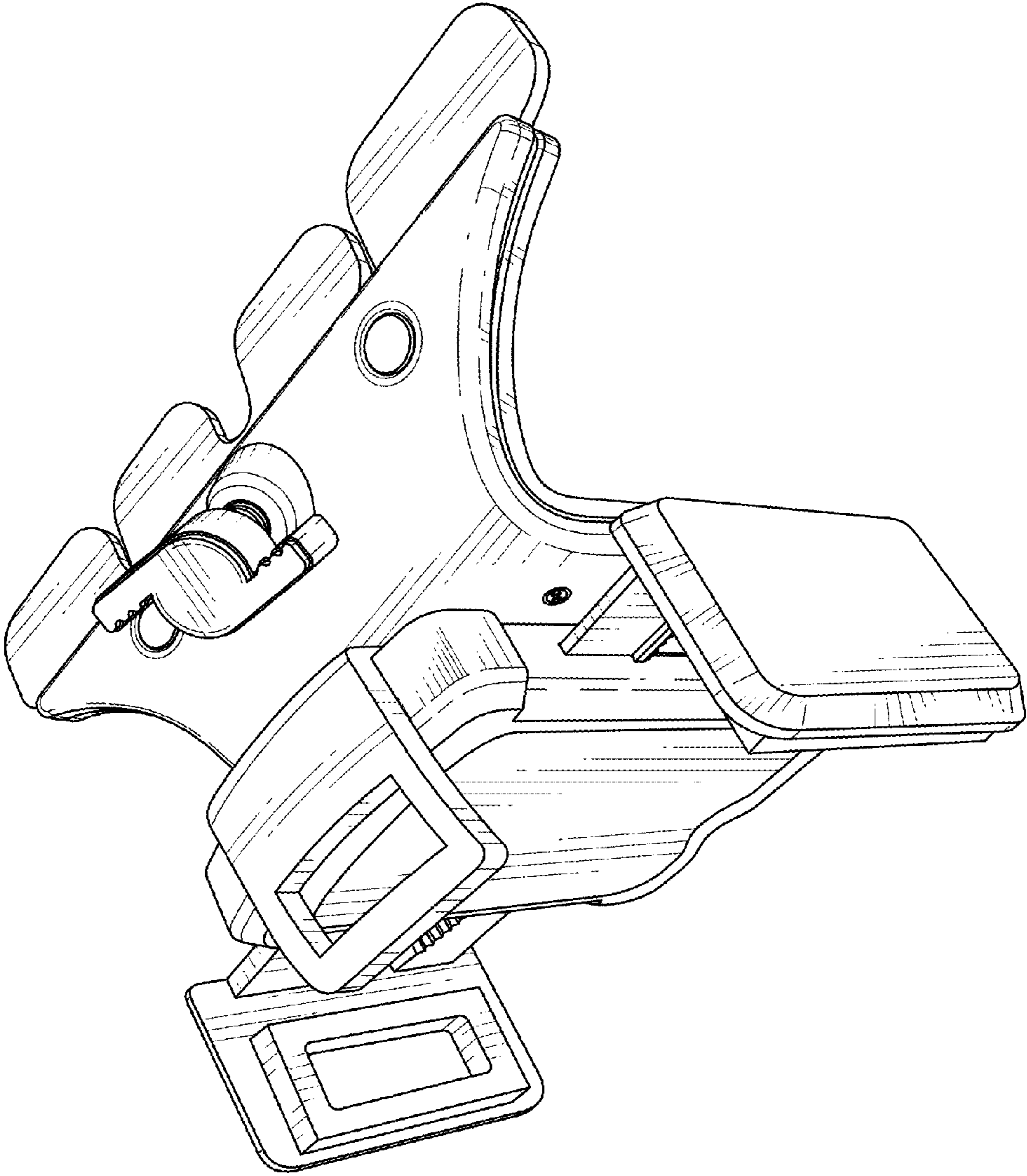


FIG. 11