



US00D716213S

(12) **United States Design Patent**  
**Zhang**

(10) **Patent No.:** **US D716,213 S**

(45) **Date of Patent:** **\*\* Oct. 28, 2014**

(54) **WHEEL OR WHEEL COVER**

(71) Applicant: **Daimler AG**, Stuttgart (DE)

(72) Inventor: **Fan Zhang**, Hubei (CN)

(73) Assignee: **Daimler AG**, Stuttgart (DE)

(\*\*) Term: **14 Years**

(21) Appl. No.: **29/439,395**

(22) Filed: **Dec. 11, 2012**

(30) **Foreign Application Priority Data**

Jun. 12, 2012 (WO) ..... 078831

(51) **LOC (10) Cl.** ..... **12-16**

(52) **U.S. Cl.**  
USPC ..... **D12/211**

(58) **Field of Classification Search**  
CPC ..... B60B 7/00; B60B 7/02; B60B 7/04;  
B60B 7/01; B60B 7/06; B60B 3/02; B60B  
3/04; B60B 3/06; B60B 3/10; B60B 1/00;  
B60B 1/08; B60B 1/10; B60B 1/12  
USPC ..... D12/204-213  
See application file for complete search history.

(56) **References Cited**

**U.S. PATENT DOCUMENTS**

D438,504 S \* 3/2001 Muzzarelli ..... D12/211  
D446,493 S \* 8/2001 Sulahian et al. .... D12/211  
D465,183 S \* 11/2002 Singer ..... D12/211  
D486,115 S \* 2/2004 Chung ..... D12/211

D498,725 S \* 11/2004 Suciu ..... D12/211  
D508,006 S \* 8/2005 Laengerer ..... D12/209  
D512,361 S \* 12/2005 Cornell ..... D12/211  
D518,766 S \* 4/2006 Burns ..... D12/211  
D524,215 S \* 7/2006 Guevara ..... D12/211  
D585,808 S \* 2/2009 Hetrick ..... D12/211  
D617,721 S \* 6/2010 Zhao ..... D12/211  
D620,421 S \* 7/2010 Lamm et al. .... D12/209  
D623,114 S \* 9/2010 Geisler ..... D12/211  
D629,734 S \* 12/2010 Batchelor ..... D12/211  
D641,680 S \* 7/2011 Laengerer ..... D12/211  
D656,450 S \* 3/2012 Zhao ..... D12/211  
D683,686 S \* 6/2013 Alfonso ..... D12/211  
D689,000 S \* 9/2013 Platto et al. .... D12/209  
D706,699 S \* 6/2014 Platto et al. .... D12/211  
D706,700 S \* 6/2014 Platto et al. .... D12/211  
D709,815 S \* 7/2014 Butterworth ..... D12/209

\* cited by examiner

*Primary Examiner* — Stacia Cadmus

(74) *Attorney, Agent, or Firm* — Crowell & Moring LLP

(57) **CLAIM**

The ornamental design for a wheel or wheel cover, as shown and described.

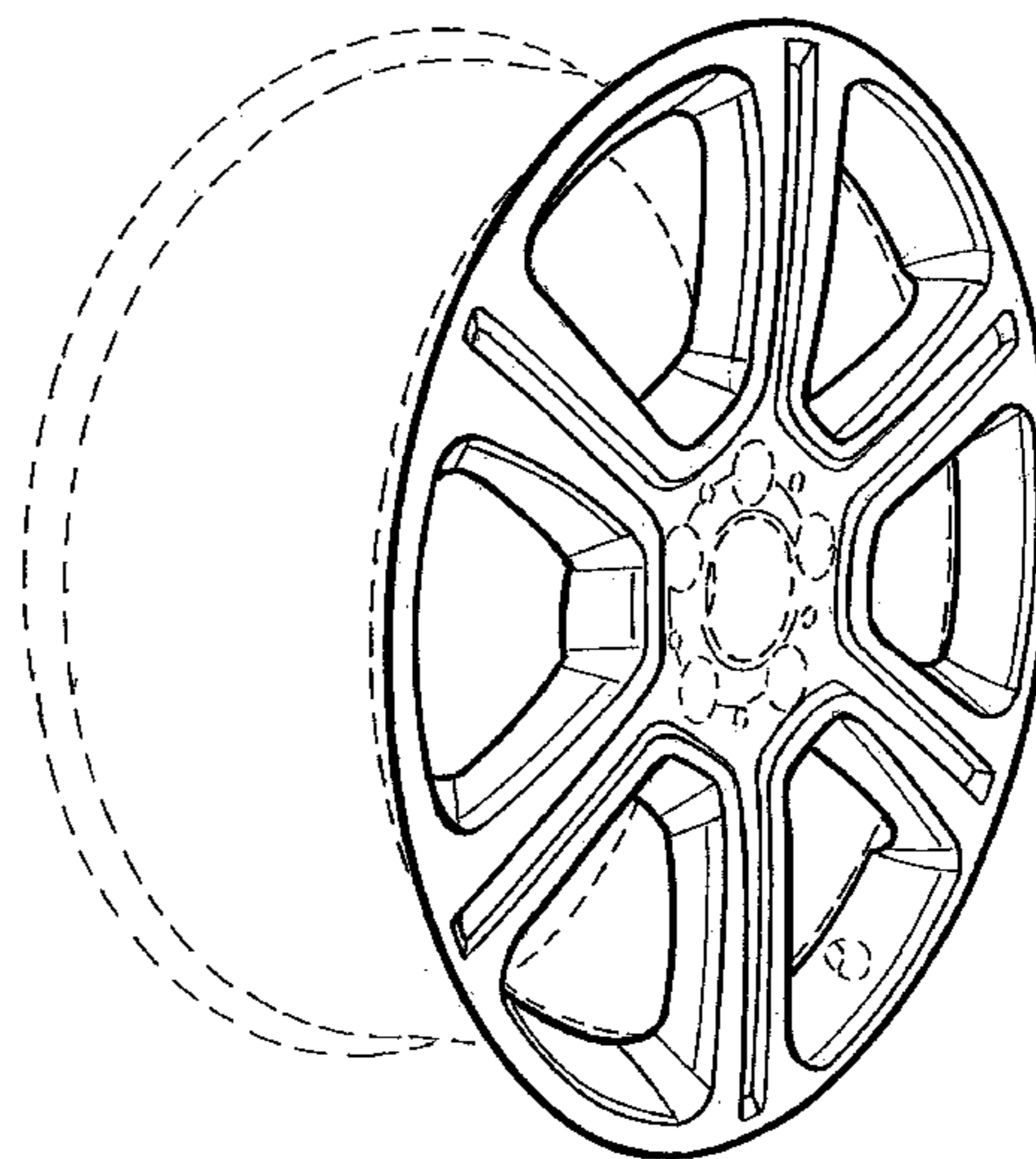
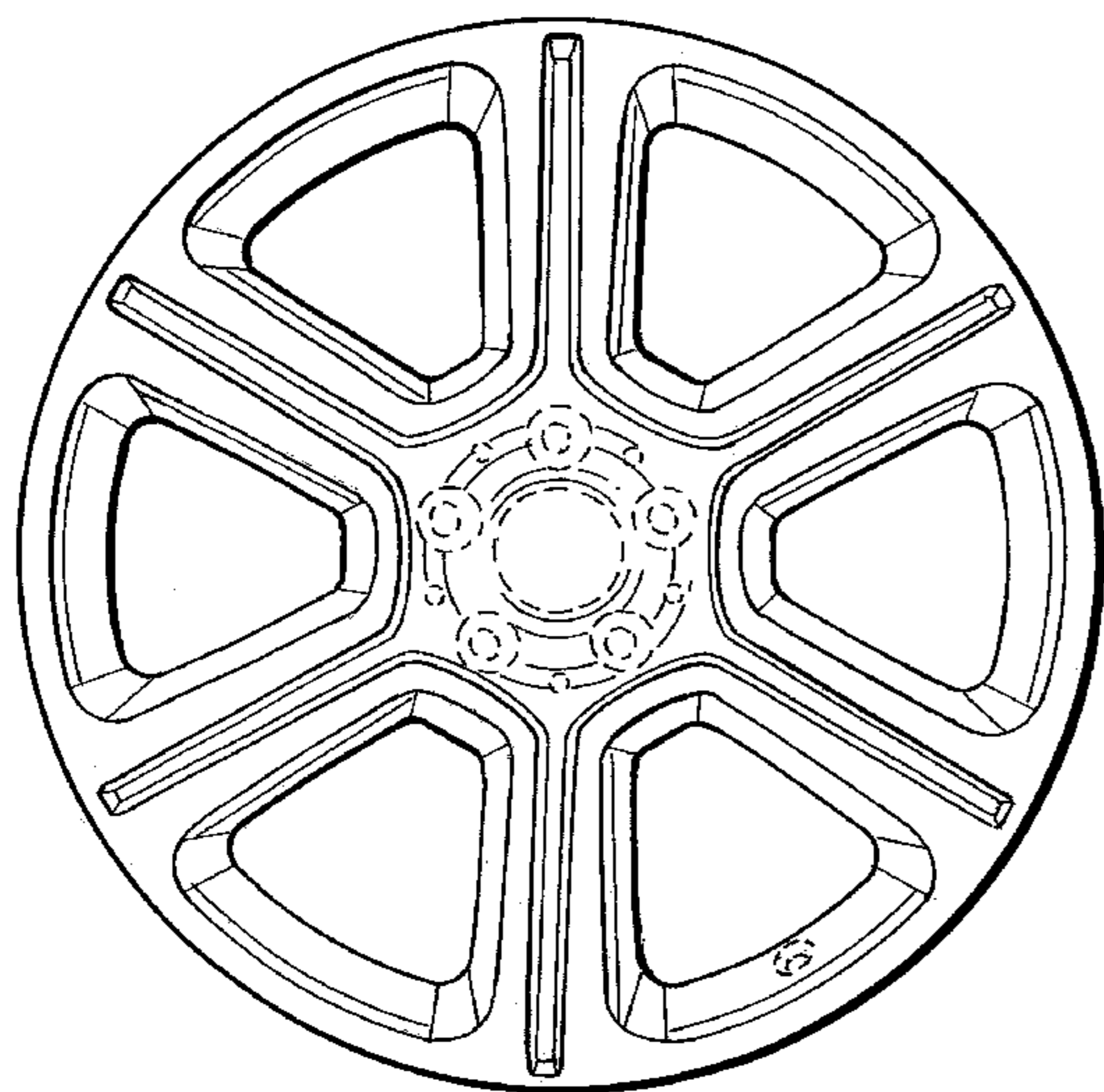
**DESCRIPTION**

FIG. 1 is a front view of a wheel or wheel cover according to the design; and,

FIG. 2 is a perspective view thereof.

The broken line showing of the rear of the wheel, the valve stem hole, the bolt holes and the center cap in the central hub area is included for the purpose of illustrating environment and forms no part of the claimed design.

**1 Claim, 1 Drawing Sheet**



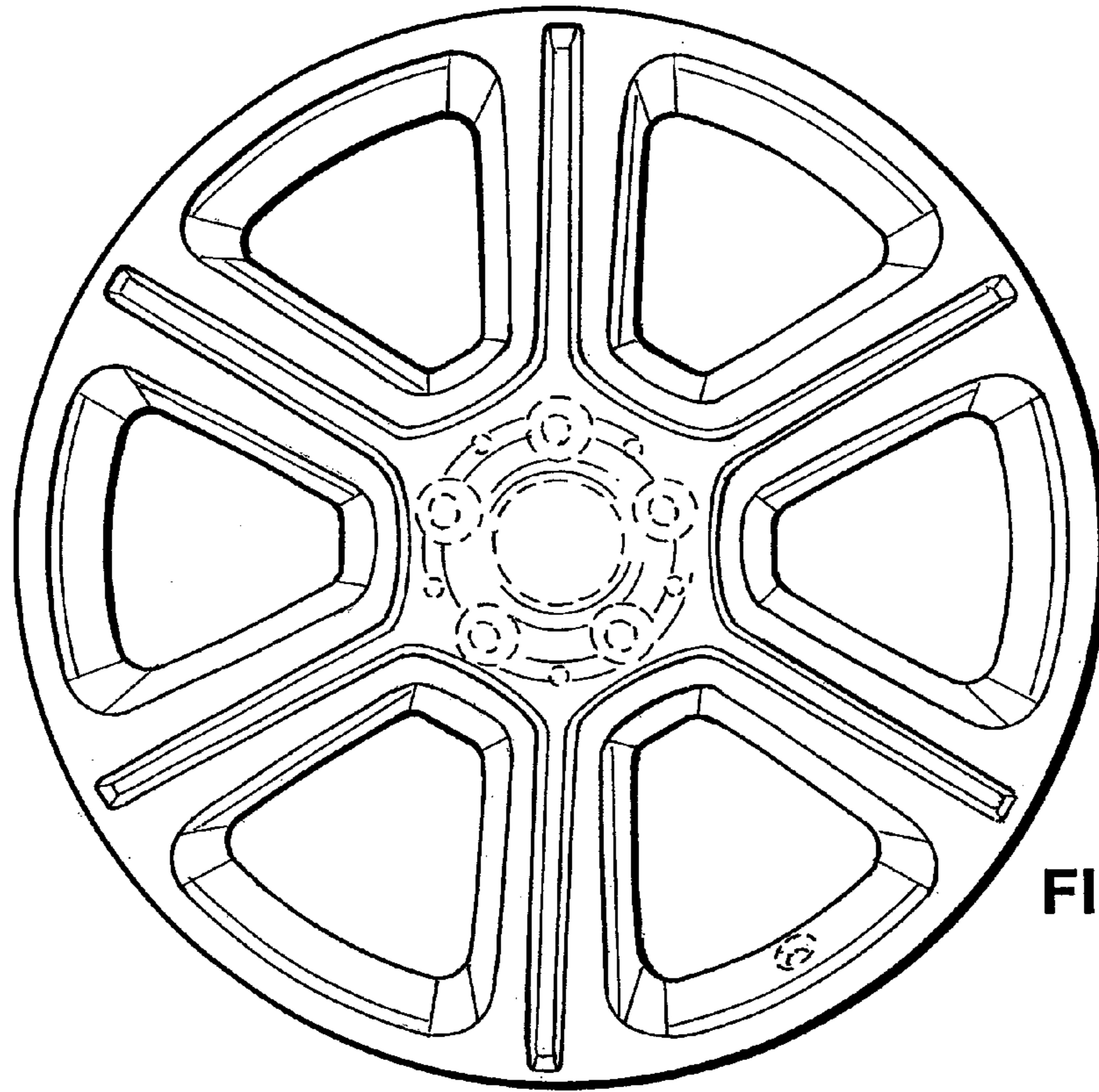


FIG. 1

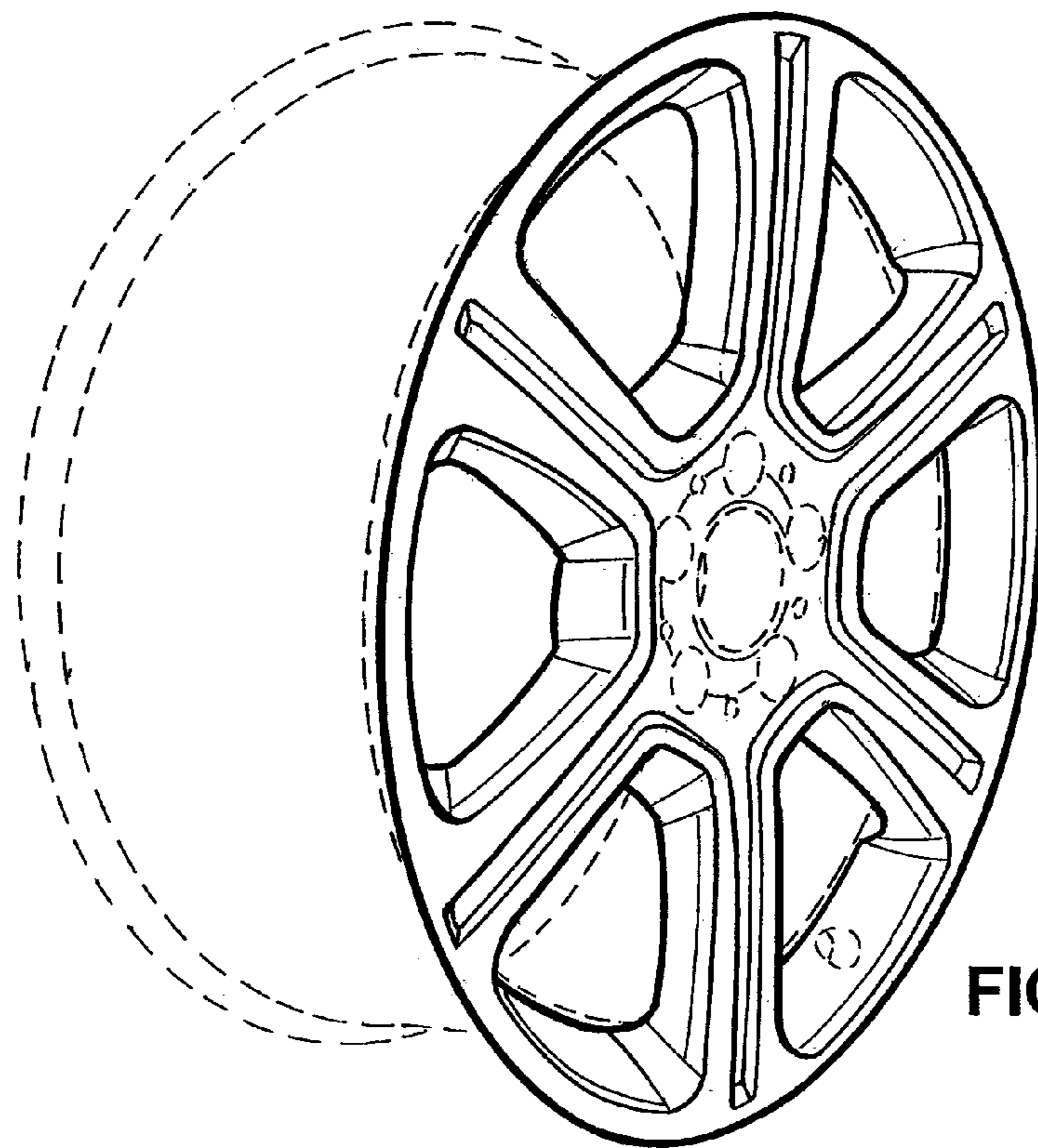


FIG. 2