



US00D716212S

(12) **United States Design Patent**
Bildhaeuser

(10) **Patent No.:** **US D716,212 S**

(45) **Date of Patent:** **** Oct. 28, 2014**

(54) **WHEEL OR WHEEL COVER**

(71) Applicant: **Daimler AG**, Stuttgart (DE)

(72) Inventor: **Hans-Peter Bildhaeuser**, Sindelfingen (DE)

(73) Assignee: **Daimler AG**, Stuttgart (DE)

(**) Term: **14 Years**

(21) Appl. No.: **29/439,390**

(22) Filed: **Dec. 11, 2012**

(30) **Foreign Application Priority Data**

Jun. 12, 2012 (WO) DM078831

(51) **LOC (10) Cl.** **12-16**

(52) **U.S. Cl.**
USPC **D12/209**

(58) **Field of Classification Search**

CPC B60B 7/00; B60B 7/02; B60B 7/04;
B60B 7/01; B60B 7/06; B60B 3/02; B60B
3/04; B60B 3/06; B60B 3/10; B60B 1/00;
B60B 1/08; B60B 1/10; B60B 1/12

USPC D12/204-213

See application file for complete search history.

(56) **References Cited**

U.S. PATENT DOCUMENTS

D235,253 S *	6/1975	May	D12/211
D416,531 S *	11/1999	Gabath	D12/209
D437,278 S *	2/2001	Sulahian	D12/211
D461,758 S *	8/2002	Takechi	D12/211
D475,669 S *	6/2003	Boyer	D12/209
D544,427 S *	6/2007	Pfeiffer	D12/211
D553,064 S *	10/2007	Celik	D12/209
D657,727 S	4/2012	Fetherston et al.		
D669,834 S *	10/2012	Juergens et al.	D12/211
D690,642 S *	10/2013	Kito	D12/209

* cited by examiner

Primary Examiner — Stacia Cadmus

(74) *Attorney, Agent, or Firm* — Crowell & Moring LLP

(57) **CLAIM**

The ornamental design for a wheel or wheel cover, as shown and described.

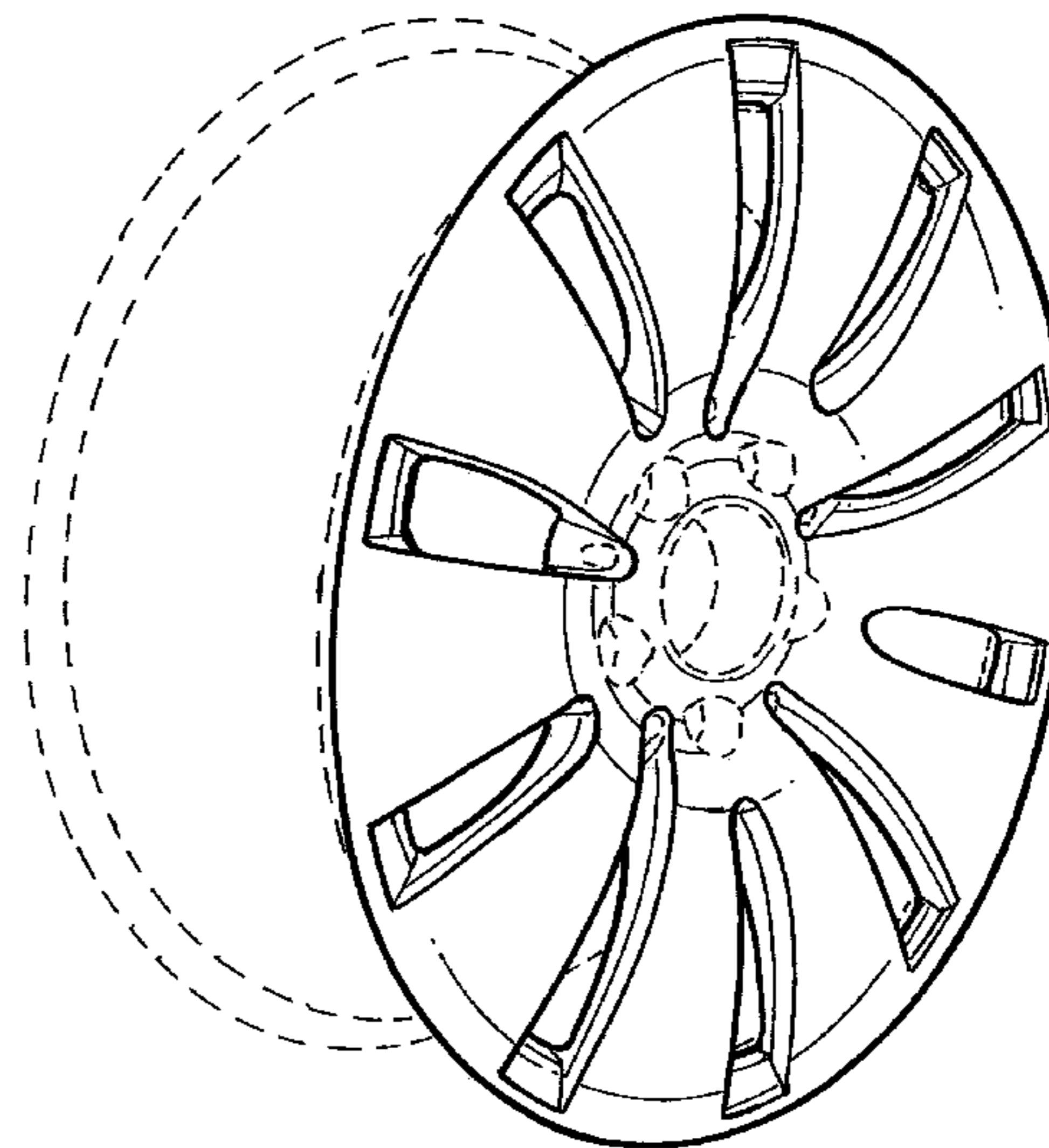
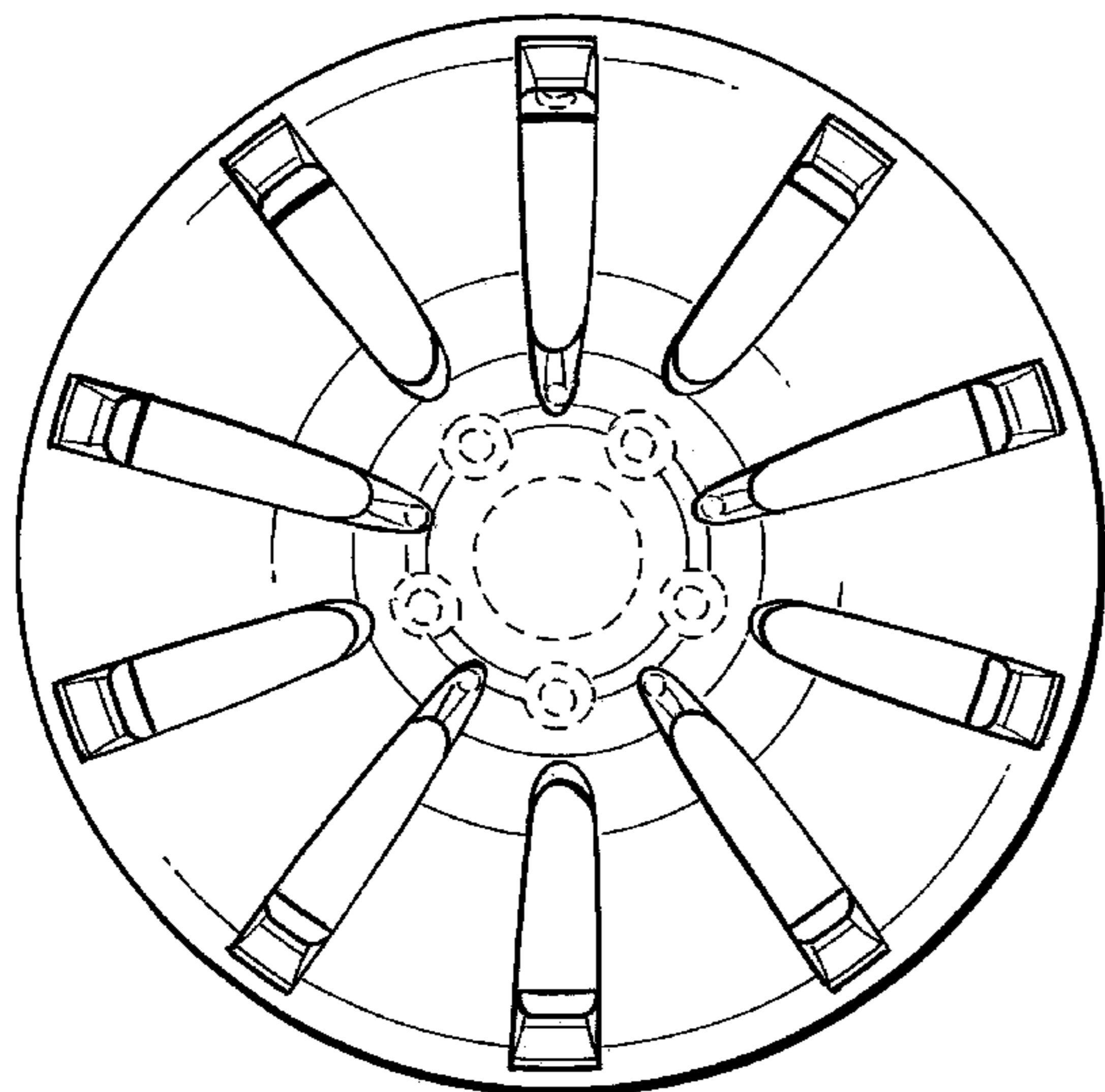
DESCRIPTION

FIG. 1 is a front view of a wheel or wheel cover according to the design; and,

FIG. 2 is a perspective view thereof.

The broken line showing of the rear of the wheel and the bolt holes and the center cap in the central hub area is included for the purpose of illustrating environment and forms no part of the claimed design.

1 Claim, 1 Drawing Sheet



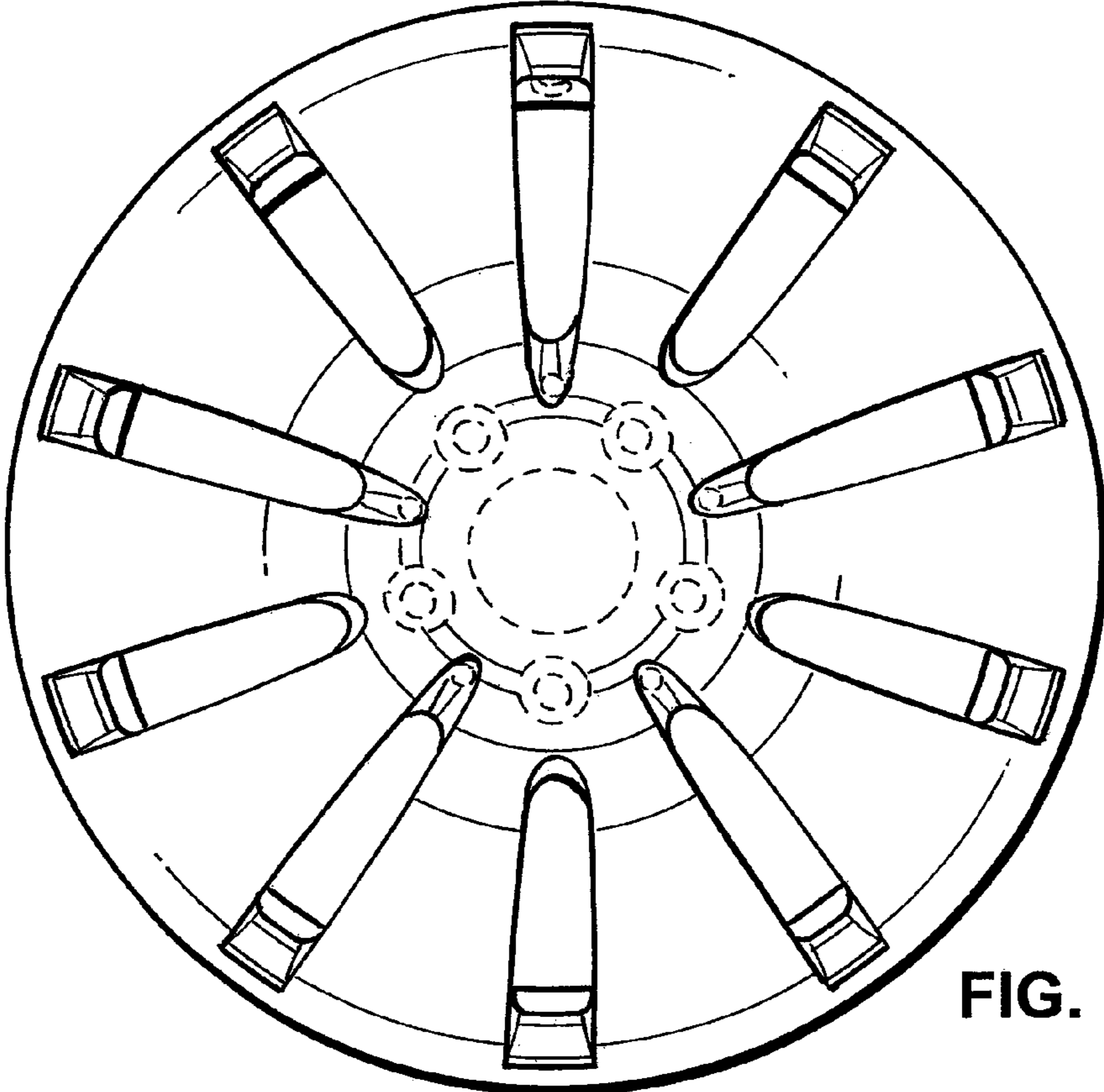


FIG. 1

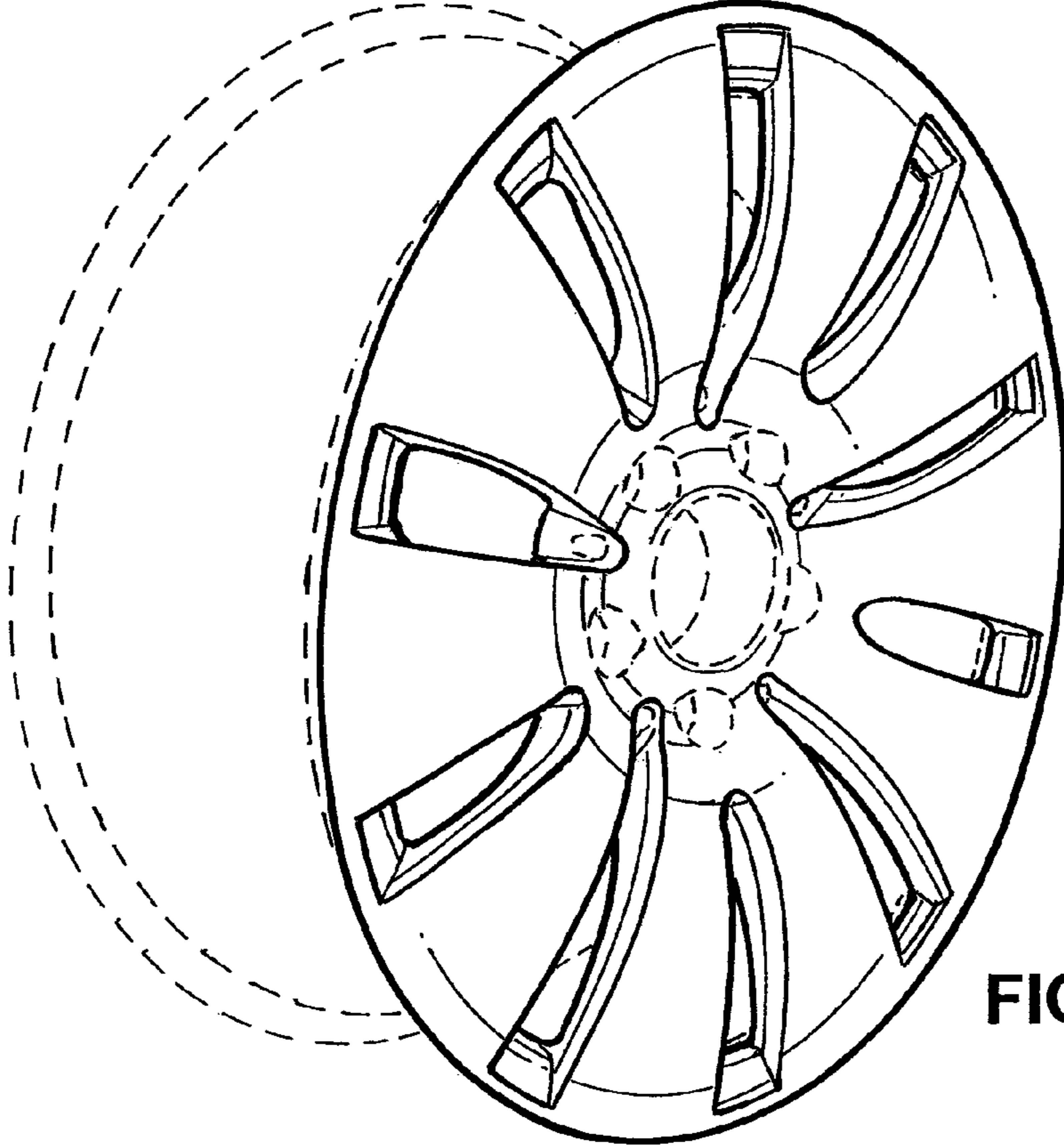


FIG. 2