



US00D716210S

(12) **United States Design Patent**  
**Ishikawa et al.**

(10) **Patent No.:** **US D716,210 S**  
(45) **Date of Patent:** **\*\* Oct. 28, 2014**

- (54) **FRONT DOOR TRIM PANEL FOR AN AUTOMOBILE**
- (71) Applicant: **Nissan Motor Co., Ltd.**, Kanagawa (JP)
- (72) Inventors: **Masato Ishikawa**, Tokyo (JP); **Satoru Hasegawa**, Kanagawa (JP)
- (73) Assignee: **Nissan Motor Co., Ltd.**, Yokohama (JP)
- (\*\*) Term: **14 Years**
- (21) Appl. No.: **29/476,508**
- (22) Filed: **Dec. 13, 2013**
- (51) **LOC (10) Cl.** ..... **12-08**
- (52) **U.S. Cl.**  
USPC ..... **D12/195**
- (58) **Field of Classification Search**  
USPC ..... D12/195, 193, 414, 190, 196; 180/190;  
296/190.01–191, 153, 37.1–37.13,  
296/149, 146.1; D15/17, 28; D10/46, 98,  
D10/102–103; 49/501–502; D8/302–303;  
280/750–752  
See application file for complete search history.

(56) **References Cited**

**U.S. PATENT DOCUMENTS**

D497,337 S *	10/2004	Takagi et al.	.....	D12/195
D503,913 S *	4/2005	Wyszogrod	.....	D12/195
D518,763 S *	4/2006	Sudo	.....	D12/195
D519,429 S *	4/2006	Miyashita	.....	D12/195
D519,890 S *	5/2006	Sakae	.....	D12/163
D521,917 S *	5/2006	Takagi et al.	.....	D12/195
D529,425 S *	10/2006	Maazono et al.	.....	D12/195
D533,821 S *	12/2006	Tamagawa et al.	.....	D12/195
D534,470 S *	1/2007	Tsuchiya et al.	.....	D12/195
D534,849 S *	1/2007	Tamagawa et al.	.....	D12/195
7,731,269 B2 *	6/2010	Sakamoto	.....	296/153
D672,300 S *	12/2012	Matsuda et al.	.....	D12/195
D675,142 S *	1/2013	Matsuo et al.	.....	D12/195

**FOREIGN PATENT DOCUMENTS**

EP	001188726-0007	3/2010
EP	001199426-0007	5/2010
JP	D1341443 S	10/2008
JP	D1421256 S	8/2011

\* cited by examiner

*Primary Examiner* — Katrina A Betton

(74) *Attorney, Agent, or Firm* — Global IP Counselors, LLP

(57) **CLAIM**

The ornamental design for a front door trim panel for an automobile, as shown and described.

**DESCRIPTION**

FIG. 1 is a front elevational view of a front door trim panel for an automobile in accordance with our new design; FIG. 2 is a top plan view of the front door trim panel in accordance with our new design of FIG. 1; FIG. 3 is a bottom plan view of the front door trim panel in accordance with our new design of FIGS. 1 to 2; FIG. 4 is a right side elevational view of the front door trim panel in accordance with our new design of FIGS. 1 to 3; FIG. 5 is a left side elevational view of the front door trim panel in accordance with our new design of FIGS. 1 to 4; FIG. 6 is a front-right side perspective view of the front door trim panel in accordance with our new design of FIGS. 1 to 5; and, FIG. 7 is a front-left side perspective view of the front door trim panel in accordance with our new design of FIGS. 1 to 6. The rear view of the front door trim panel forms no part of the claimed design. Our new design includes the mirror image of the front door trim panel shown in FIGS. 1 to 7. The shading of gray in the drawings is provided for purpose of depicting the shape of the three-dimensional article.

**1 Claim, 7 Drawing Sheets**





FIG. 1

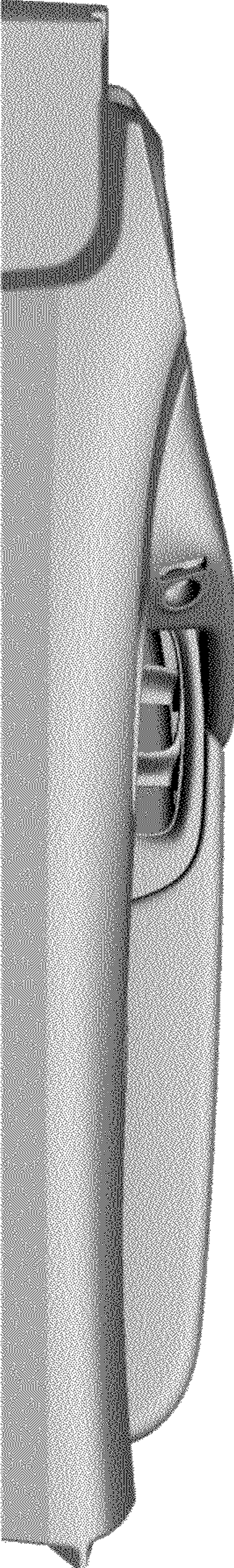
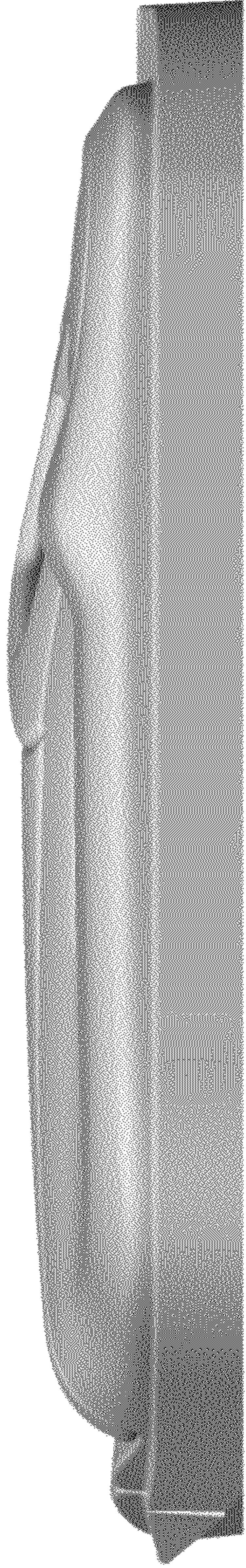
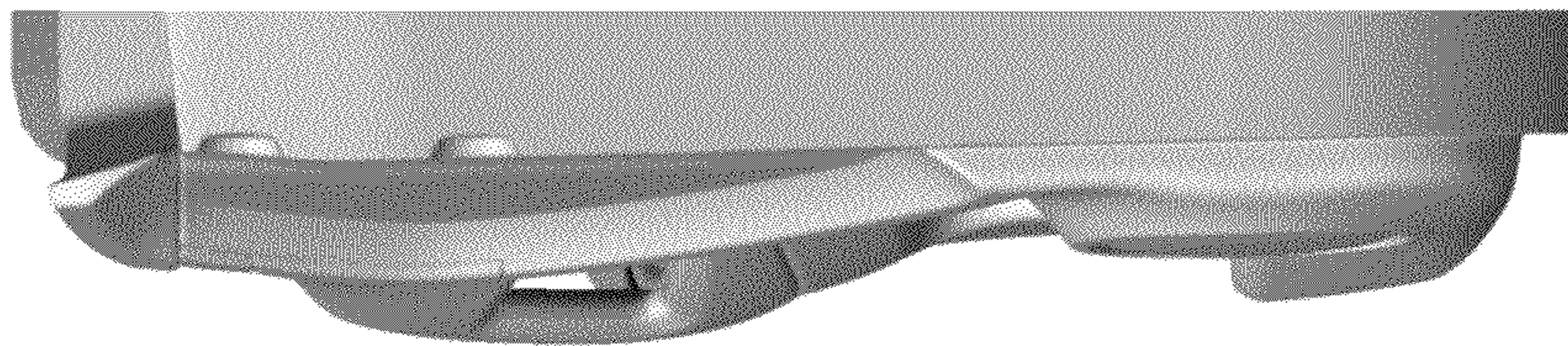


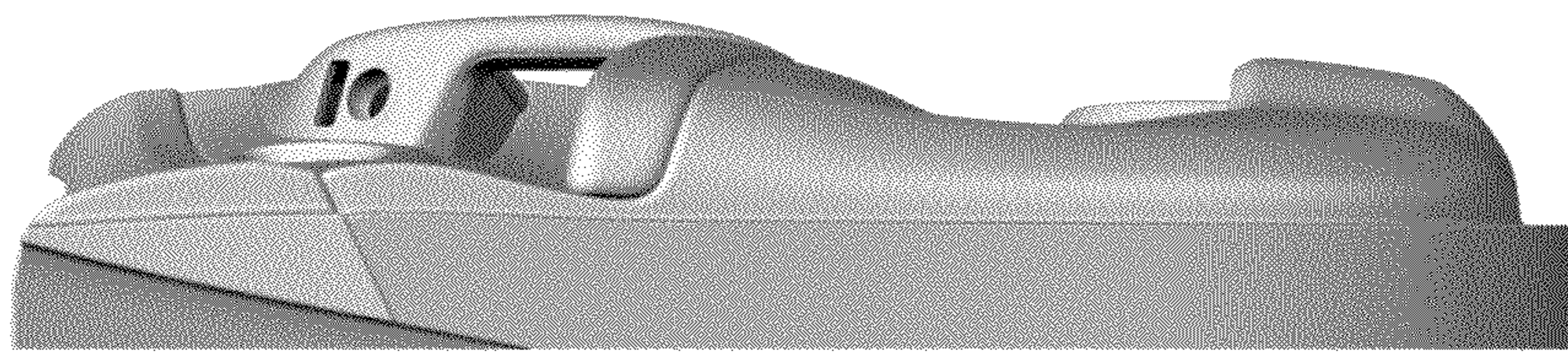
FIG. 2



**FIG. 3**



**FIG. 4**



**FIG. 5**



**FIG. 6**



**FIG. 7**