



US00D716209S

(12) **United States Design Patent**  
**Rigolio**

(10) **Patent No.:** **US D716,209 S**  
(45) **Date of Patent:** **\*\* Oct. 28, 2014**

(54) **MOTORCYCLE MIRROR**

(71) Applicant: **Fabrizio Rigolio**, Lonate Pozzolo VA  
(IT)

(72) Inventor: **Fabrizio Rigolio**, Lonate Pozzolo VA  
(IT)

(73) Assignee: **Rizoma IP S.r.l.**, Lonate Pozzolo VA  
(IT)

(\*\*) Term: **14 Years**

(21) Appl. No.: **29/490,900**

(22) Filed: **May 15, 2014**

(51) **LOC (10) Cl.** ..... **12-16**

(52) **U.S. Cl.**  
USPC ..... **D12/187**

(58) **Field of Classification Search**  
USPC ..... D12/187, 188, 189; D6/300, 309;  
359/838, 841-844, 868, 871, 604, 881,  
359/514, 866; 248/479-483, 475.1

See application file for complete search history.

(56) **References Cited**

U.S. PATENT DOCUMENTS

D346,783 S *	5/1994	Brainard .....	D12/187
D370,882 S *	6/1996	Schmidt et al. ....	D12/187
D400,482 S *	11/1998	Moir .....	D12/187
D406,088 S *	2/1999	Hanlon et al. ....	D12/187
D424,490 S *	5/2000	Reed .....	D12/187
D465,443 S *	11/2002	Gilbert .....	D12/187
D530,248 S *	10/2006	Branham .....	D12/187
D690,244 S *	9/2013	Suesse .....	D12/187

\* cited by examiner

*Primary Examiner* — Katrina A Betton

(74) *Attorney, Agent, or Firm* — Bay State IP, LLC

(57) **CLAIM**

The ornamental design for a motorcycle mirror, as shown.

**DESCRIPTION**

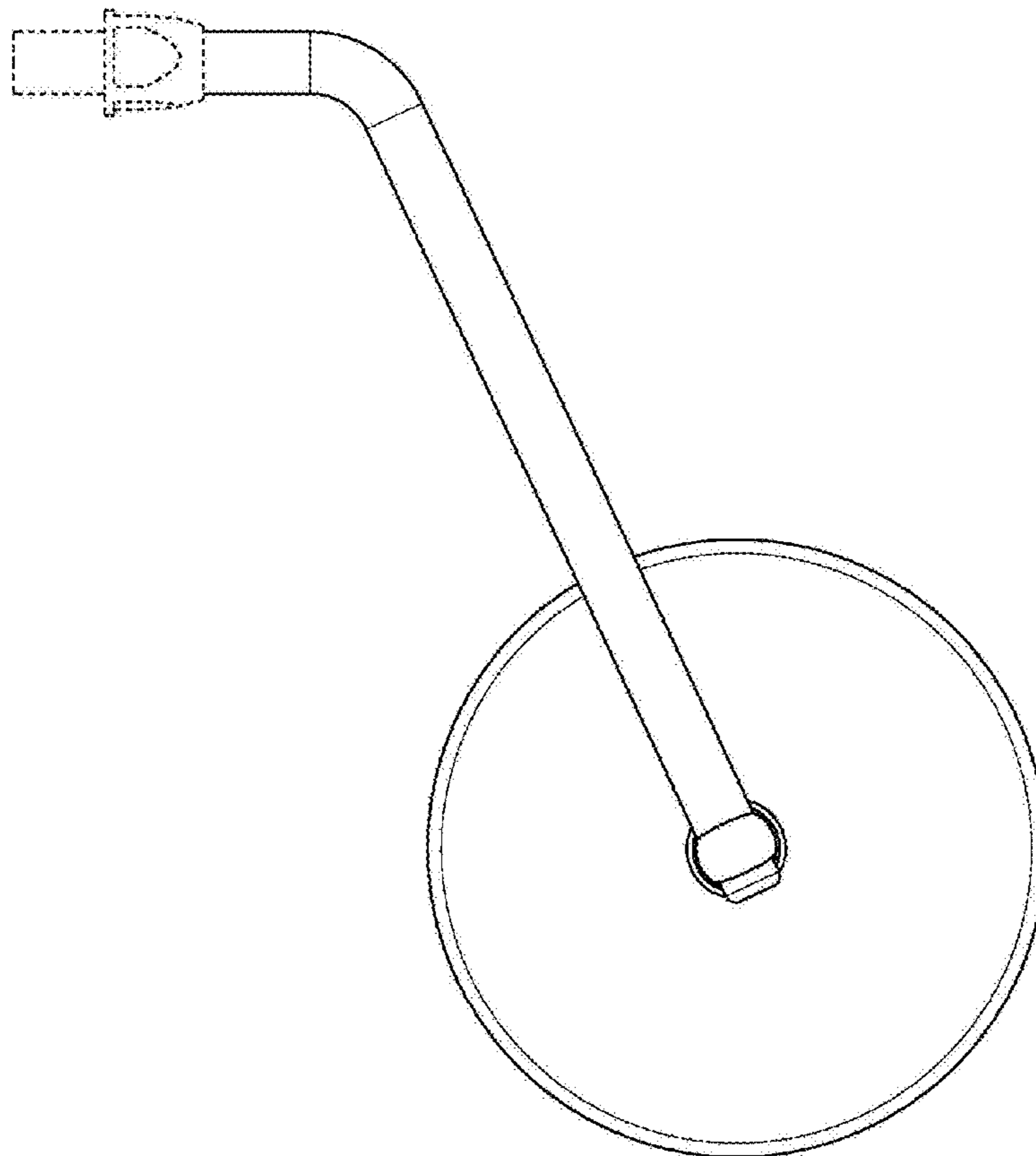
FIG. 1 is a back view showing my new design;

FIG. 2 is a side view thereof;

FIG. 3 is a back perspective view thereof; and,

FIG. 4 is a side perspective view thereof.

**1 Claim, 4 Drawing Sheets**



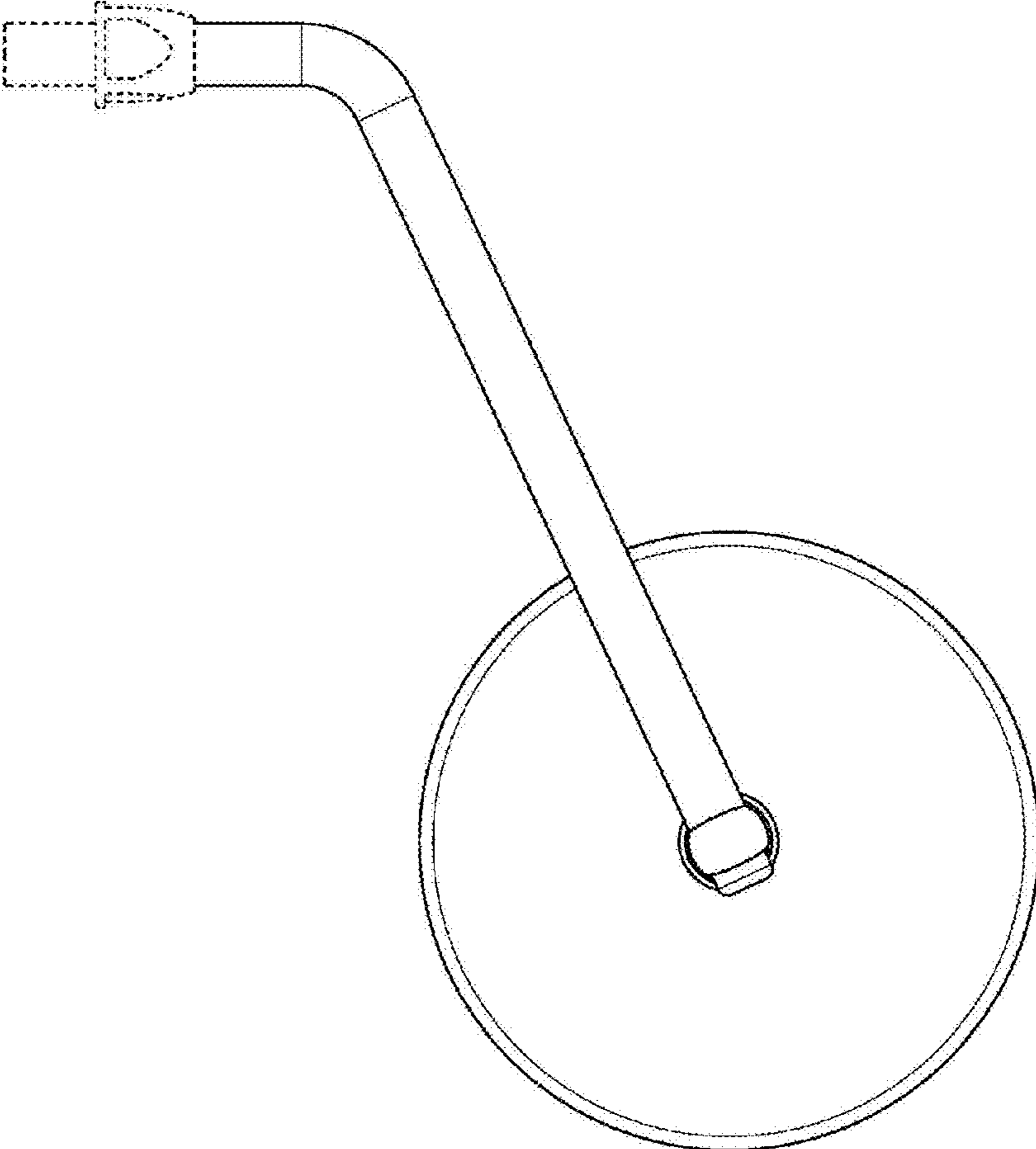


FIG. 1

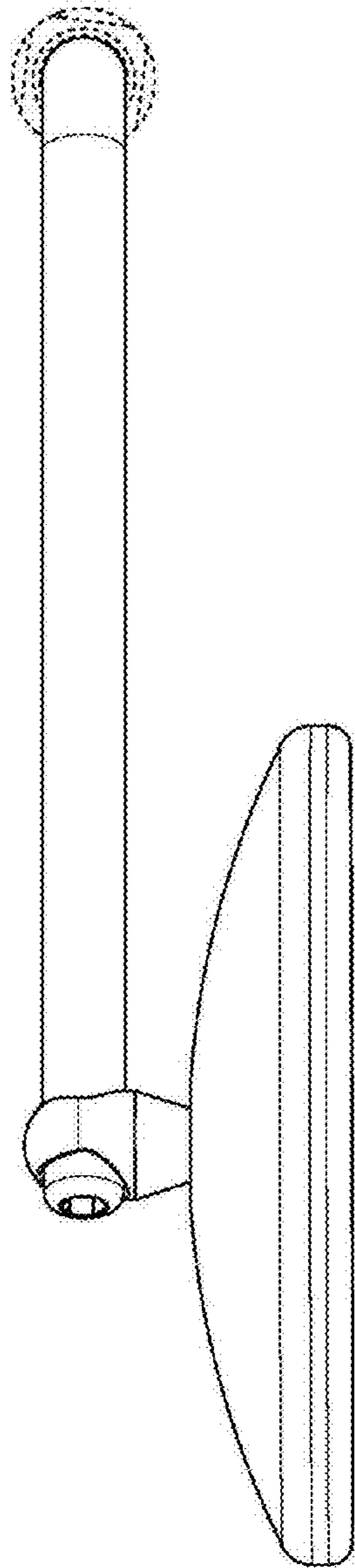


FIG. 2

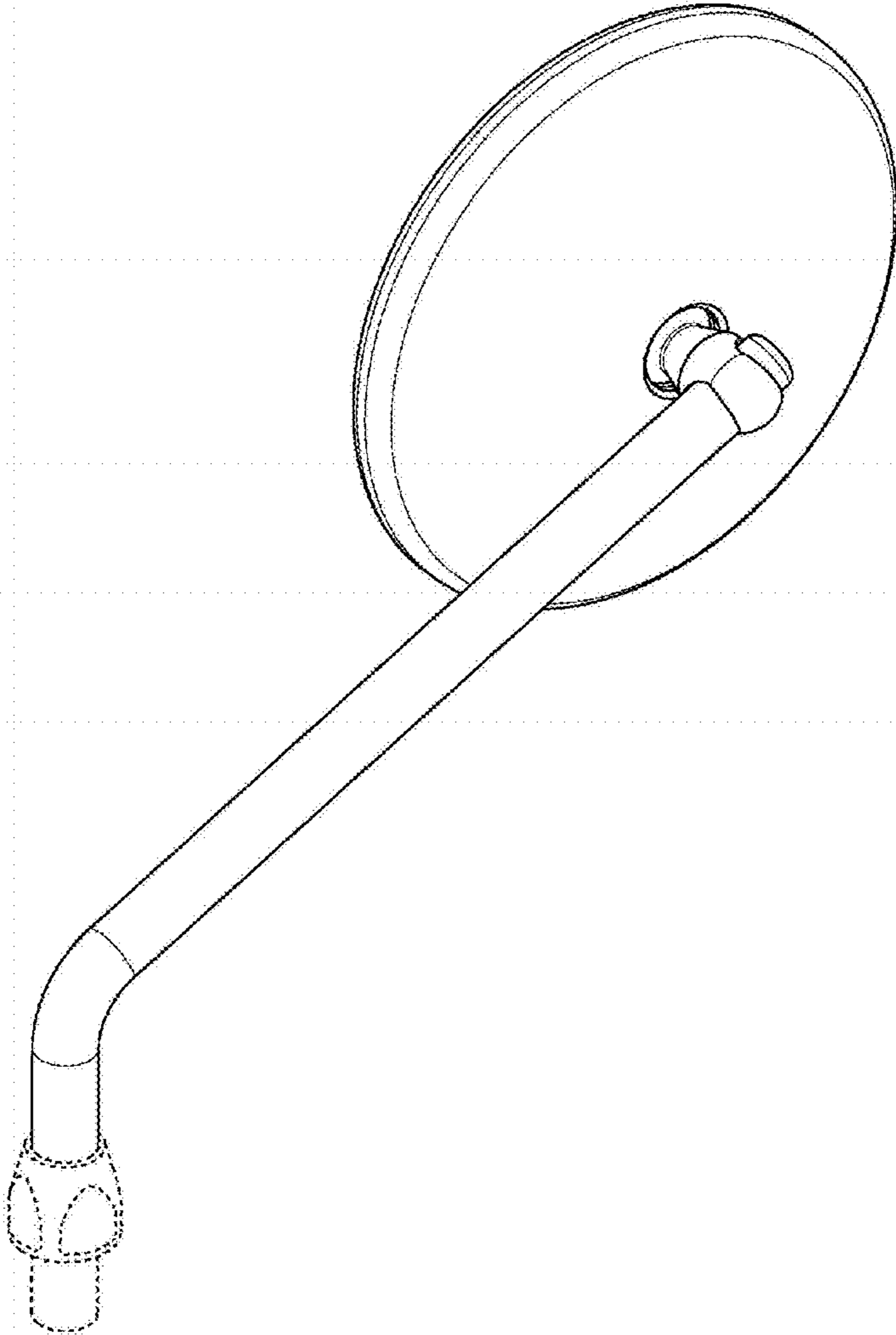


FIG. 3

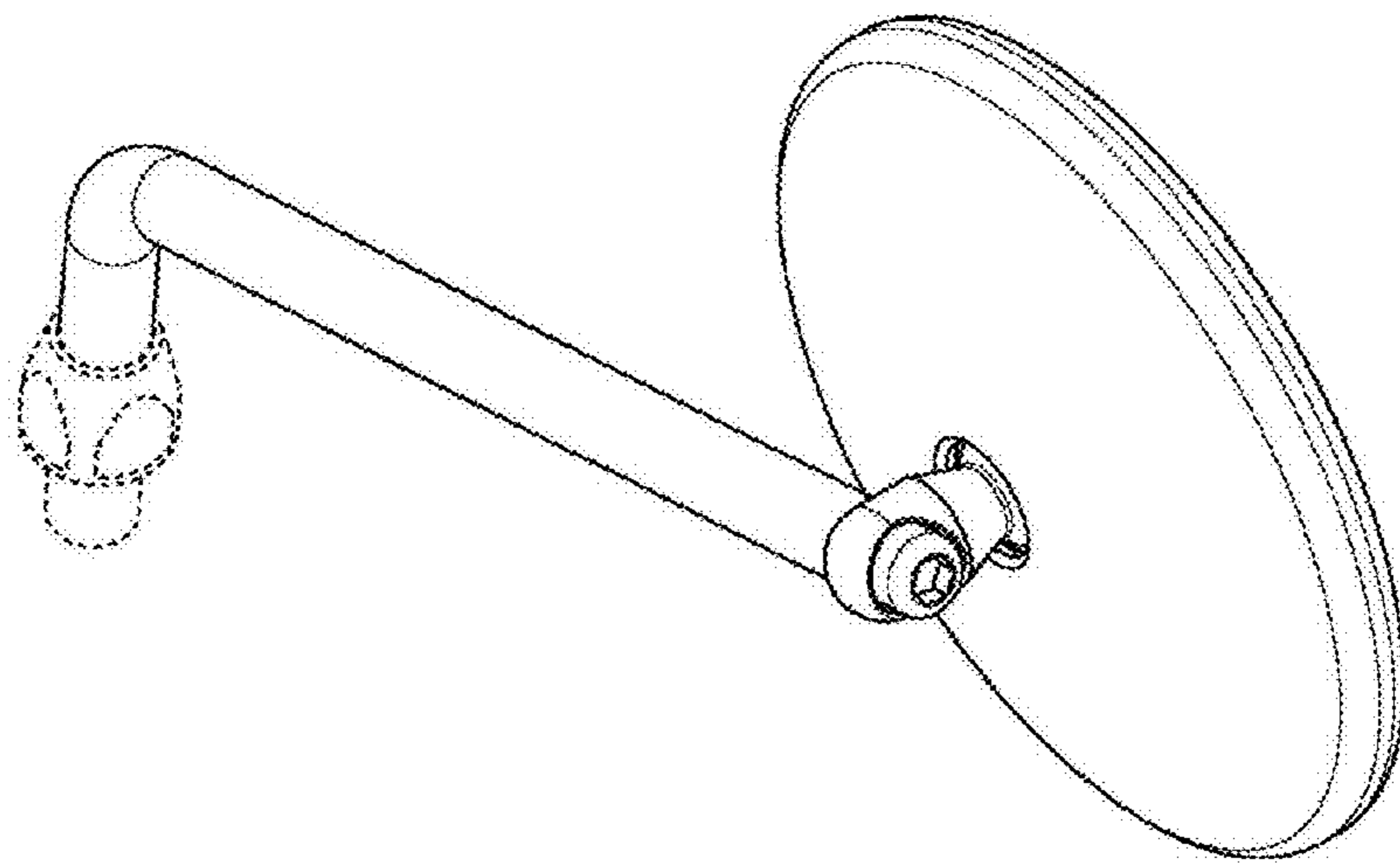


FIG. 4