



US00D716207S

(12) **United States Design Patent**  
**Callum et al.**

(10) **Patent No.:** **US D716,207 S**  
(45) **Date of Patent:** **\*\* Oct. 28, 2014**

(54) **VEHICLE COMPONENT**

(71) Applicant: **Jaguar Land Rover Limited**, Coventry (GB)

(72) Inventors: **Ian Callum**, Coventry (GB); **Cesar Pieri**, Coventry (GB); **Alister Whelan**, Coventry (GB); **Tadeusz Jelec**, Coventry (GB)

(73) Assignee: **Jaguar Land Rover Limited** (GB)

(\*\*) Term: **14 Years**

(21) Appl. No.: **29/478,921**

(22) Filed: **Jan. 9, 2014**

(30) **Foreign Application Priority Data**

Jul. 10, 2013 (EM) ..... 002271908

(51) **LOC (10) Cl.** ..... **12-16**

(52) **U.S. Cl.**  
USPC ..... **D12/187**

(58) **Field of Classification Search**  
USPC ..... D12/187-189, 96; D6/300, 309;  
359/838, 841, 843, 844, 868, 871, 872,  
359/604, 881, 514, 866; 248/479-483,  
248/475.1

See application file for complete search history.

(56) **References Cited**

U.S. PATENT DOCUMENTS

D519,071	S	*	4/2006	Moruzzi	.....	D12/187
D609,151	S	*	2/2010	Kouchi et al.	.....	D12/187
D612,311	S	*	3/2010	Weil	.....	D12/187
D625,674	S	*	10/2010	Majdandzic	.....	D12/187
D636,311	S	*	4/2011	Faghihzadeh	.....	D12/187
D654,003	S	*	2/2012	Kuo	.....	D12/187
2006/0050423	A1	*	3/2006	Secanu et al.	.....	359/871
2009/0015955	A1	*	1/2009	Muller	.....	359/871

\* cited by examiner

*Primary Examiner* — Katrina A Betton

(74) *Attorney, Agent, or Firm* — Rader, Fishman & Graer PLLC

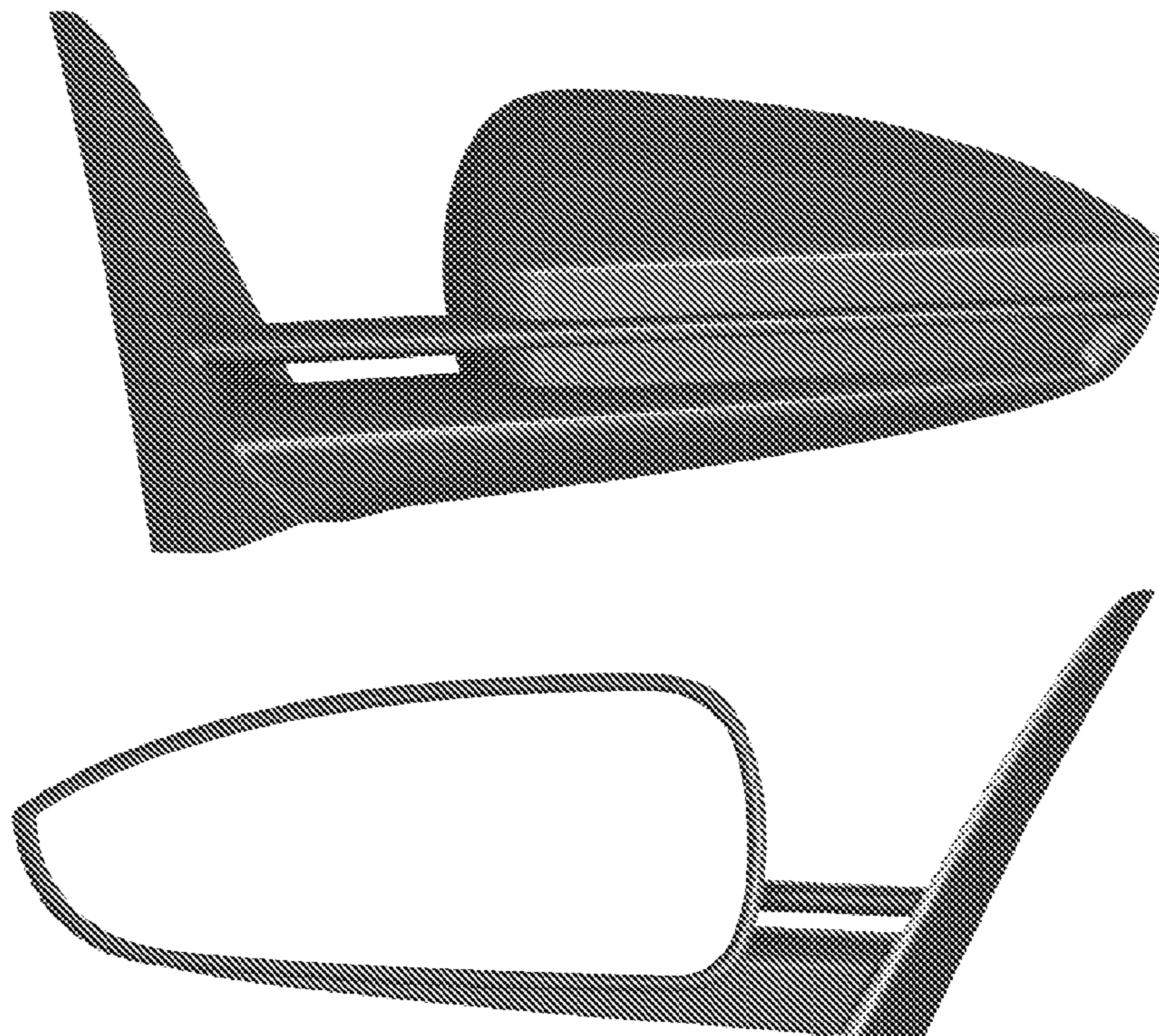
(57) **CLAIM**

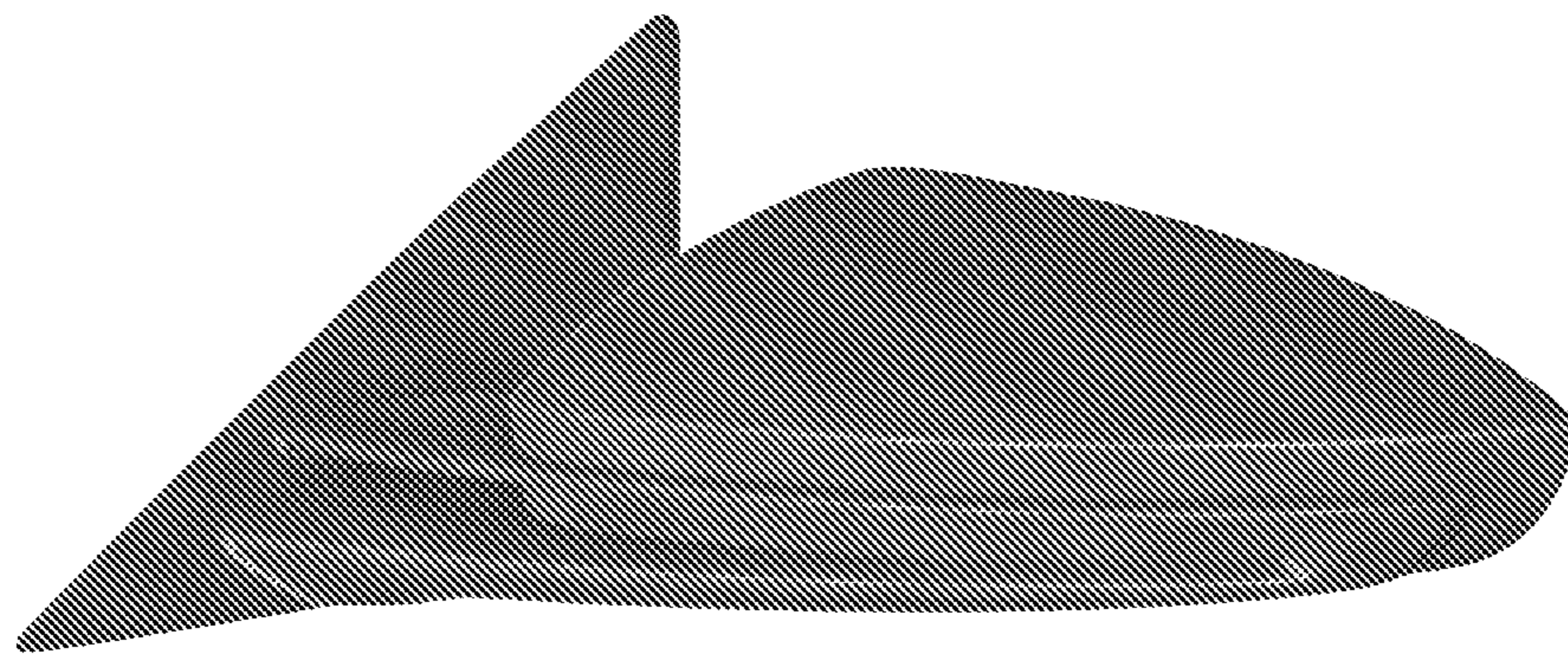
The ornamental design for a vehicle component, as shown and described.

**DESCRIPTION**

FIG. 1 is a front perspective view of a vehicle component; FIG. 2 is a front view of a vehicle component; FIG. 3 is a rear view of a vehicle component; FIG. 4 is a left side view of a vehicle component; FIG. 5 is a right side view of a vehicle component; FIG. 6 is a top view of a vehicle component; FIG. 7 is a bottom view of a vehicle component; and, FIG. 8 is a supplemental environmental view of a vehicle component in the installed position.

**1 Claim, 5 Drawing Sheets**





*FIG. 1*

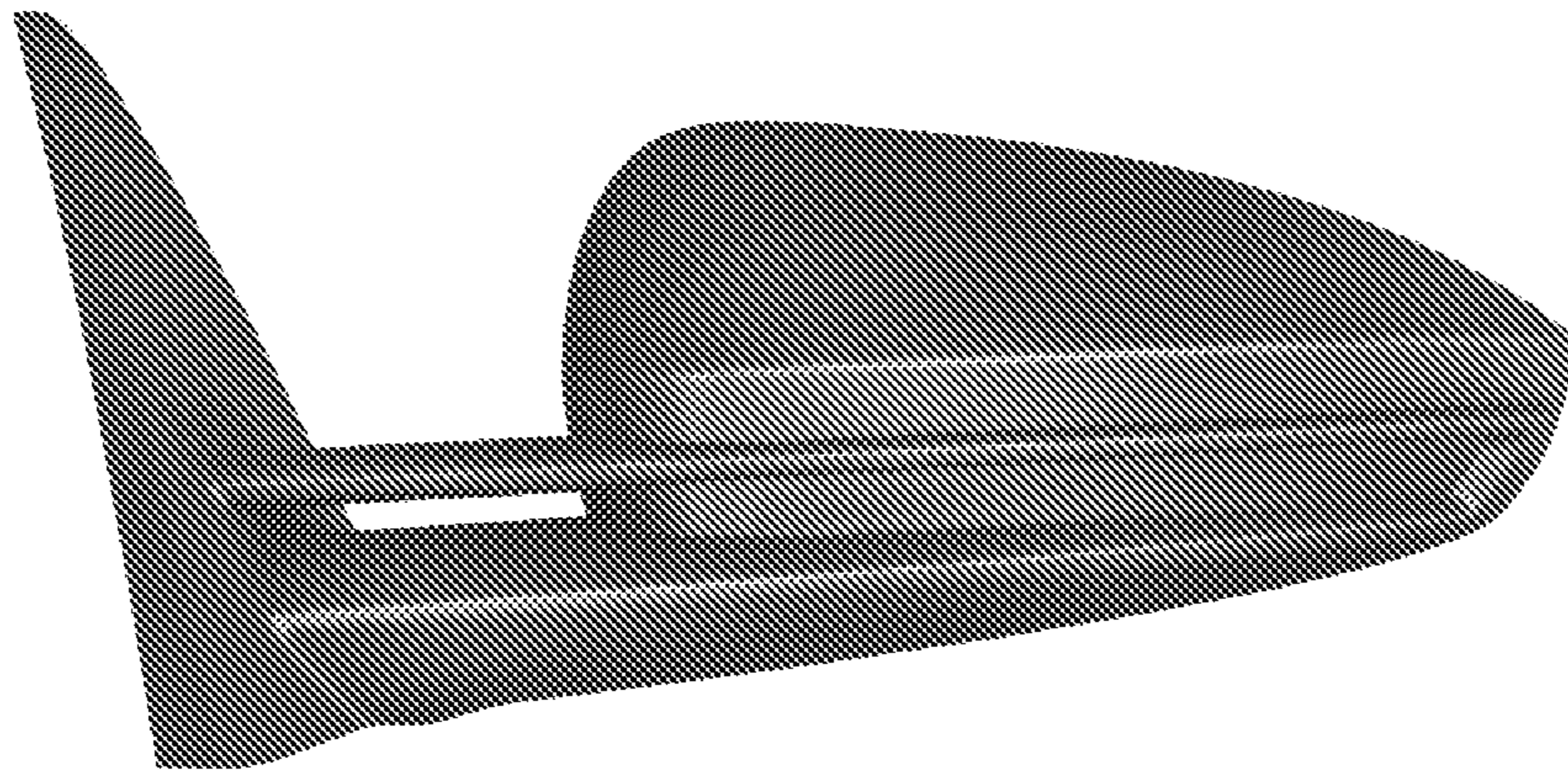


FIG. 2

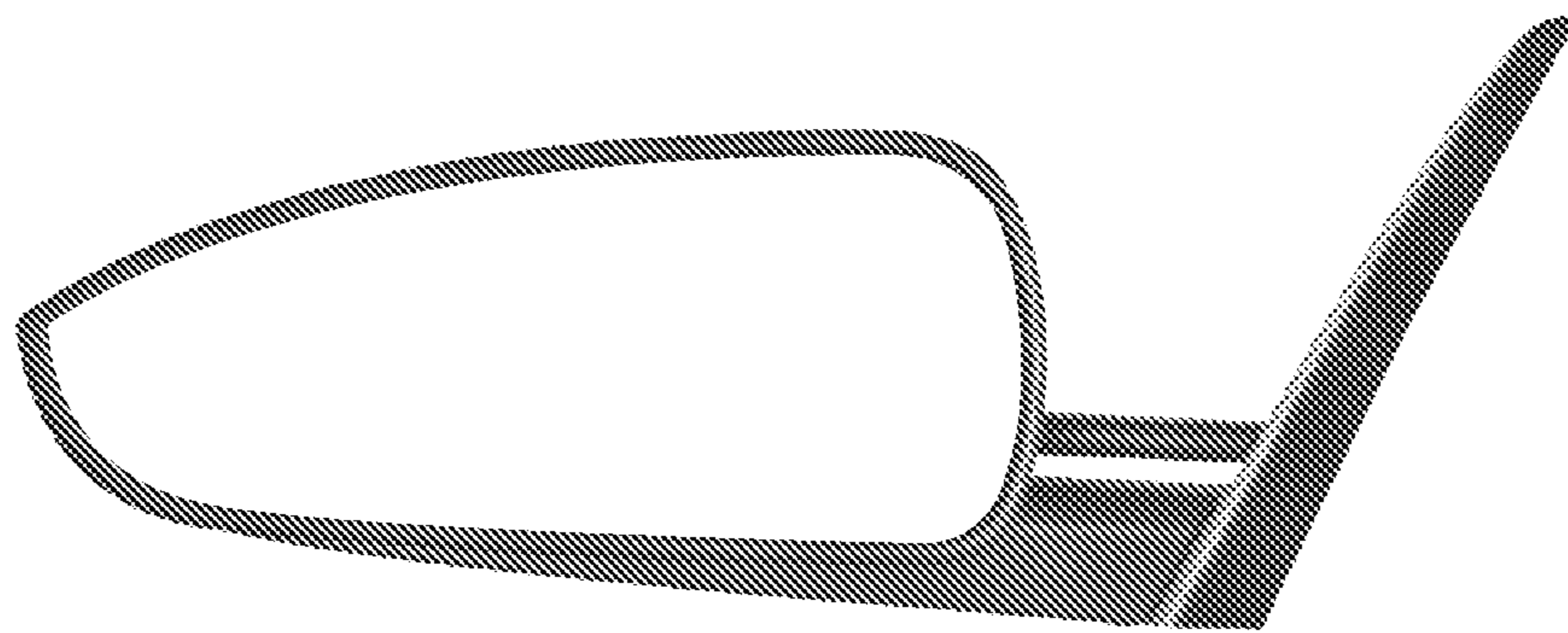


FIG. 3



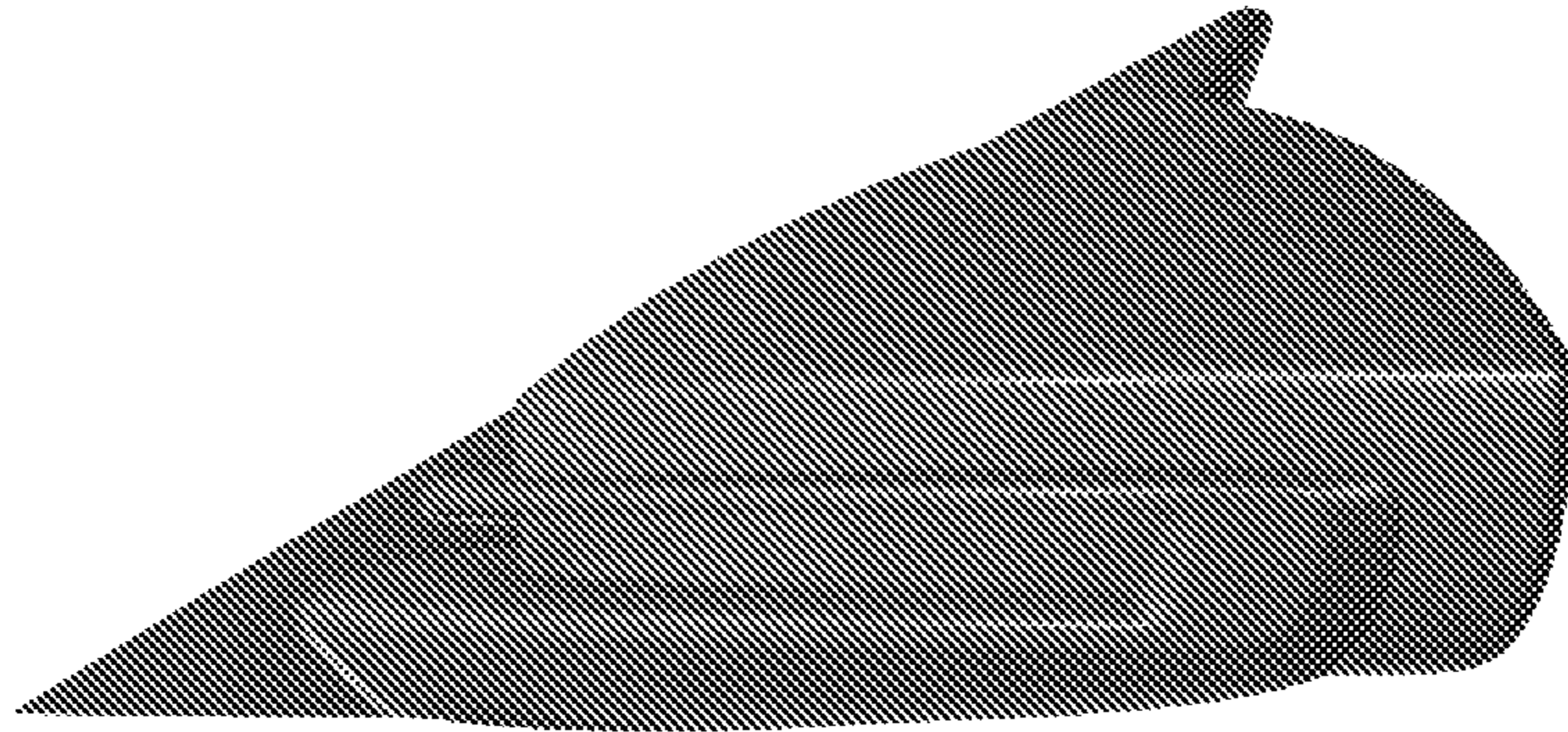


FIG. 4

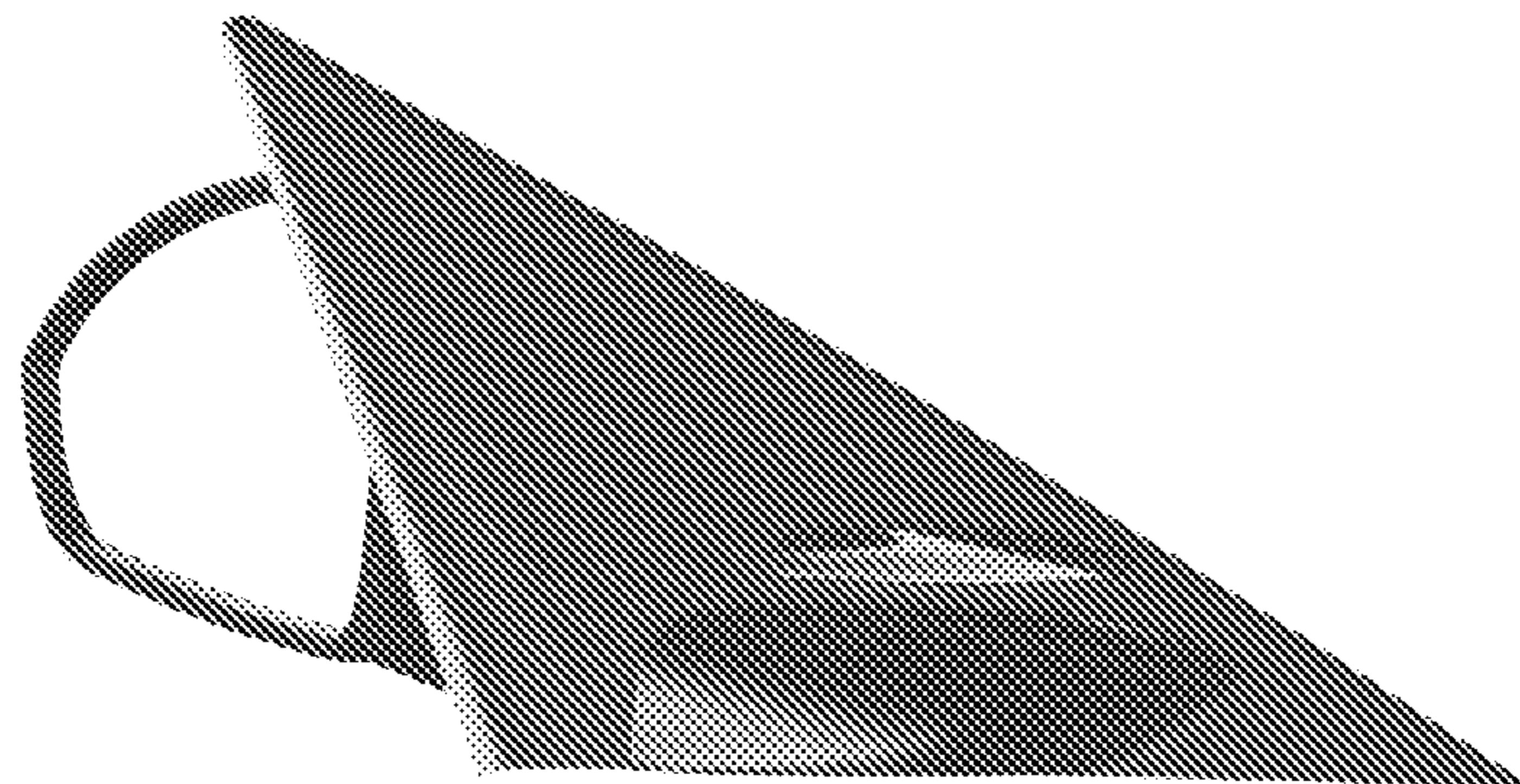


FIG. 5

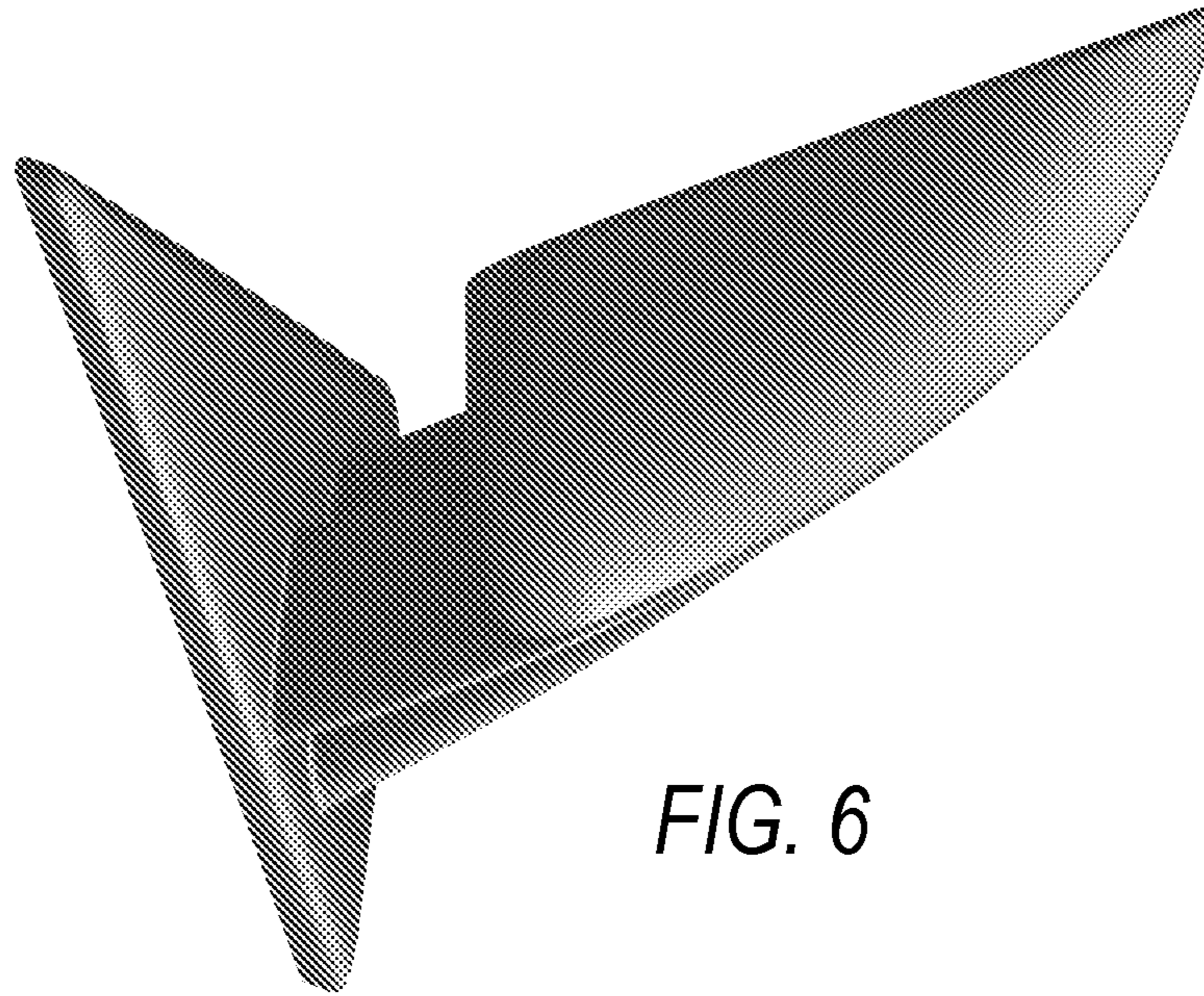


FIG. 6

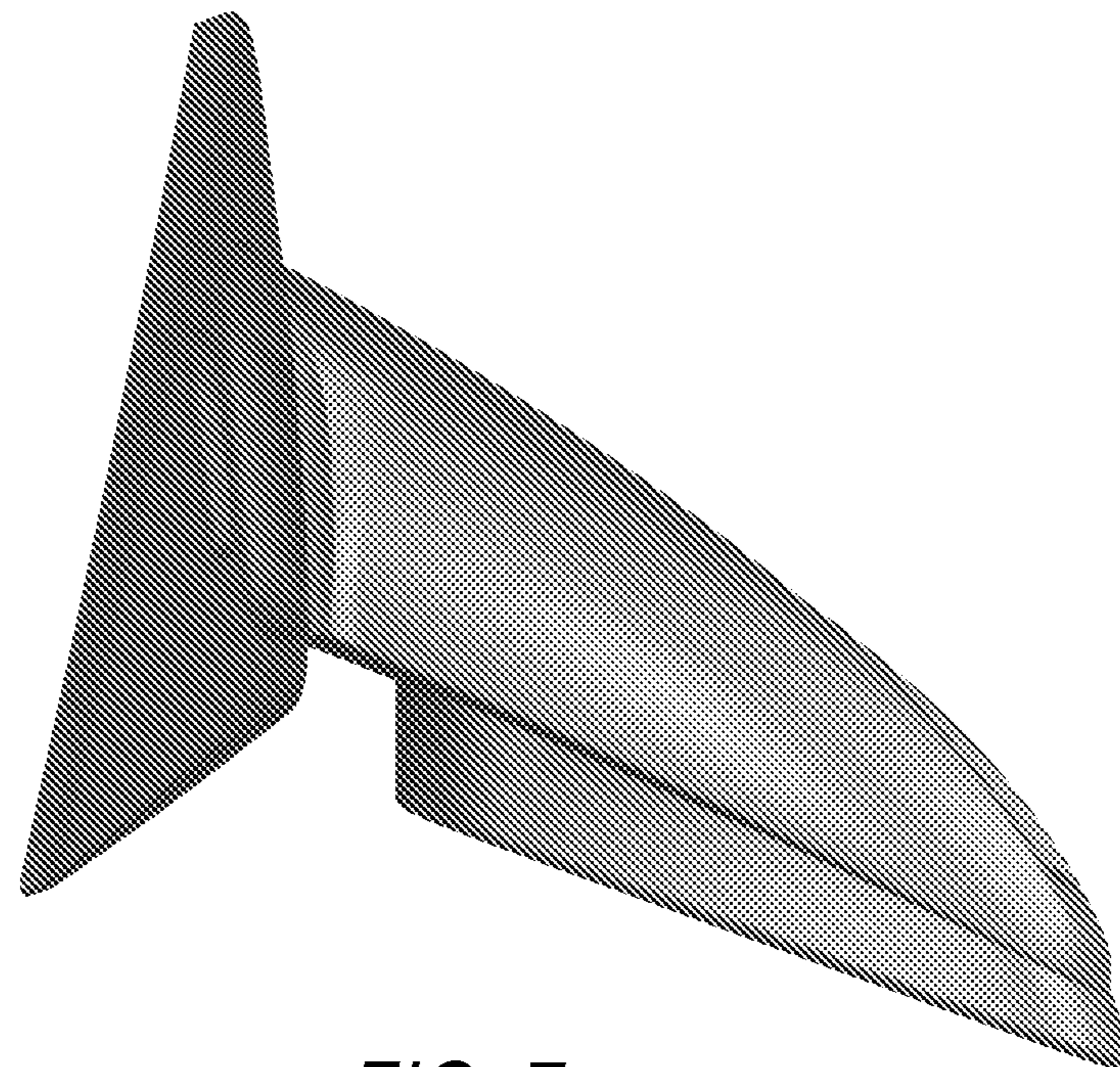


FIG. 7



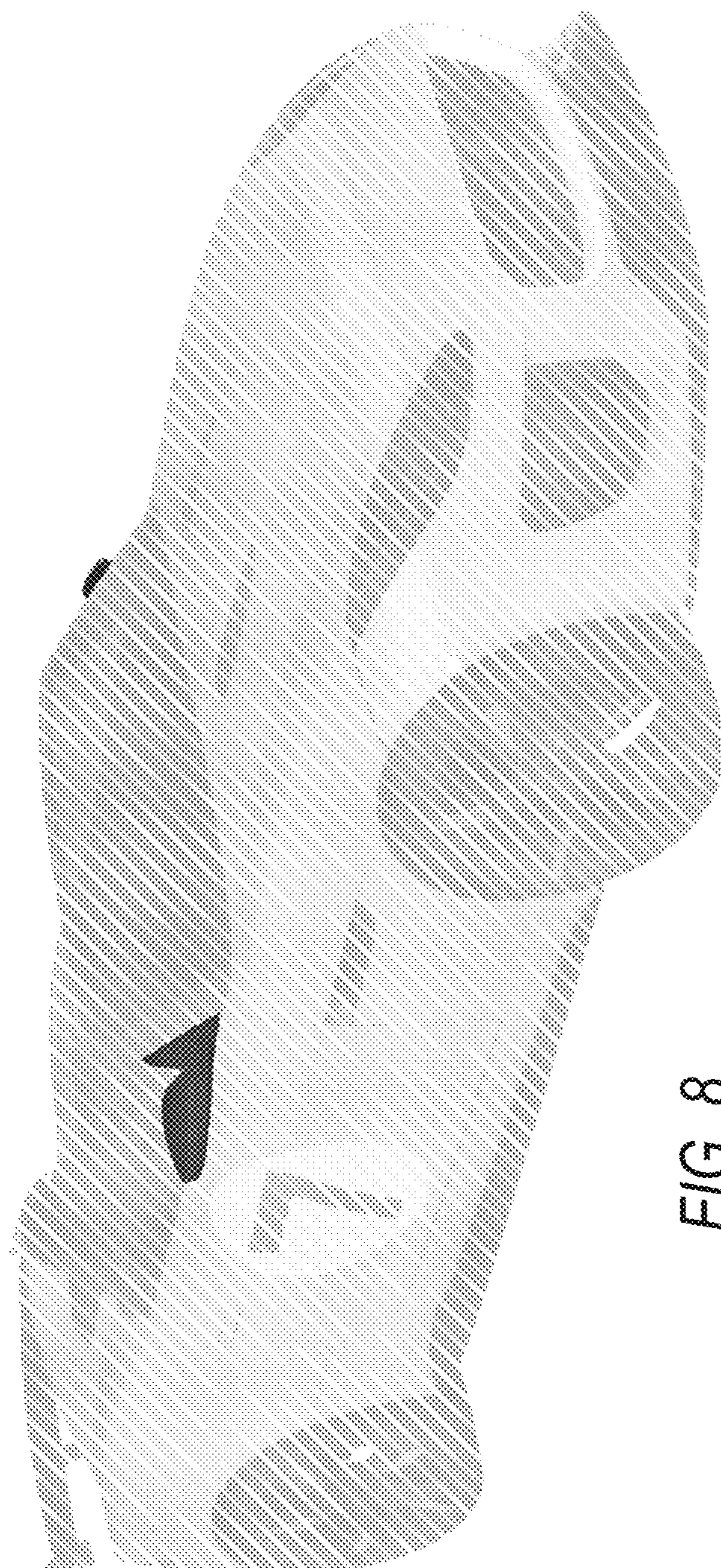


FIG. 8