



US00D716206S

(12) **United States Design Patent**
Thole et al.

(10) **Patent No.:** **US D716,206 S**
(45) **Date of Patent:** **** Oct. 28, 2014**

(54) **VEHICLE SIDE MIRROR**

(56) **References Cited**

(71) Applicant: **GM Global Technology Operations LLC**, Detroit, MI (US)

U.S. PATENT DOCUMENTS

(72) Inventors: **Louis D. Thole**, Gross Pointe Park, MI (US); **Scott P. Wassell**, Leonard, MI (US)

D598,349	S	*	8/2009	Kato et al.	D12/187
D621,313	S	*	8/2010	Kimura et al.	D12/187
D653,595	S	*	2/2012	Matsubara et al.	D12/187
D691,934	S	*	10/2013	Zhao	D12/187
D702,167	S	*	4/2014	Hakamata	D12/187
D703,120	S	*	4/2014	Nordmann	D12/187
2009/0268321	A1	*	10/2009	Wilson	359/868
2010/0195228	A1	*	8/2010	Sinelli et al.	359/866

(73) Assignee: **GM Global Technology Operations LLC**, Detroit, MI (US)

* cited by examiner

(**) Term: **14 Years**

Primary Examiner — Katrina A Betton

(21) Appl. No.: **29/466,971**

(74) *Attorney, Agent, or Firm* — Parks IP Law; Mickki D. Murray

(22) Filed: **Sep. 13, 2013**

(57) **CLAIM**

The ornamental design for a vehicle side mirror, as shown and described.

(51) **LOC (10) Cl.** **12-16**

DESCRIPTION

(52) **U.S. Cl.**
USPC **D12/187**

(58) **Field of Classification Search**
USPC D12/187, 188, 189; D6/300, 309;
359/838, 841–844, 868, 871, 604, 881,
359/514, 866; 248/479–483, 475.1

FIG. 1 is side view of a vehicle side mirror showing the new design;
FIG. 2 is a top plan view, thereof;
FIG. 3 is a back view thereof;
FIG. 4 is a front view thereof; and,
FIG. 5 is a bottom view thereof.

See application file for complete search history.

1 Claim, 3 Drawing Sheets

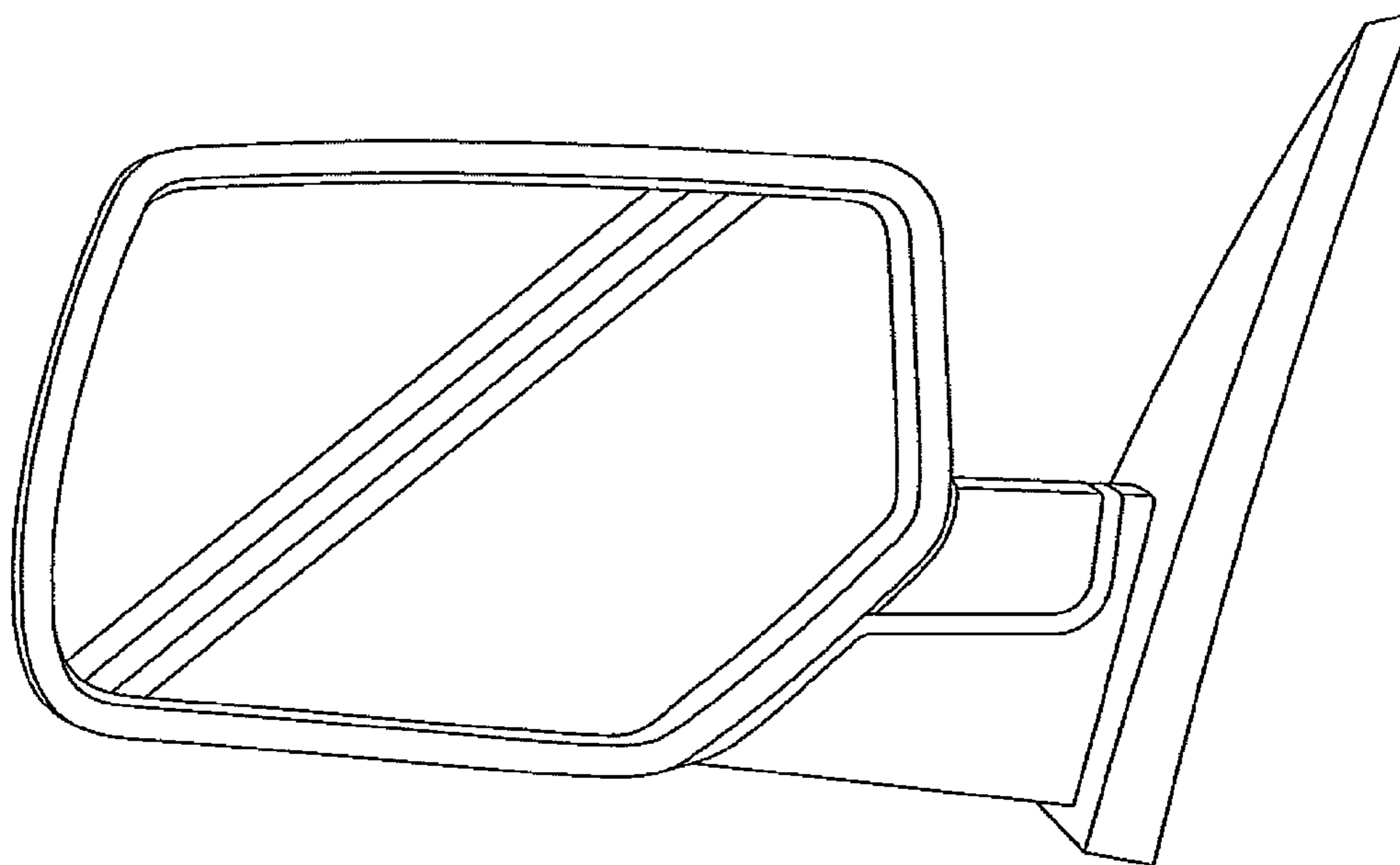


Fig-1

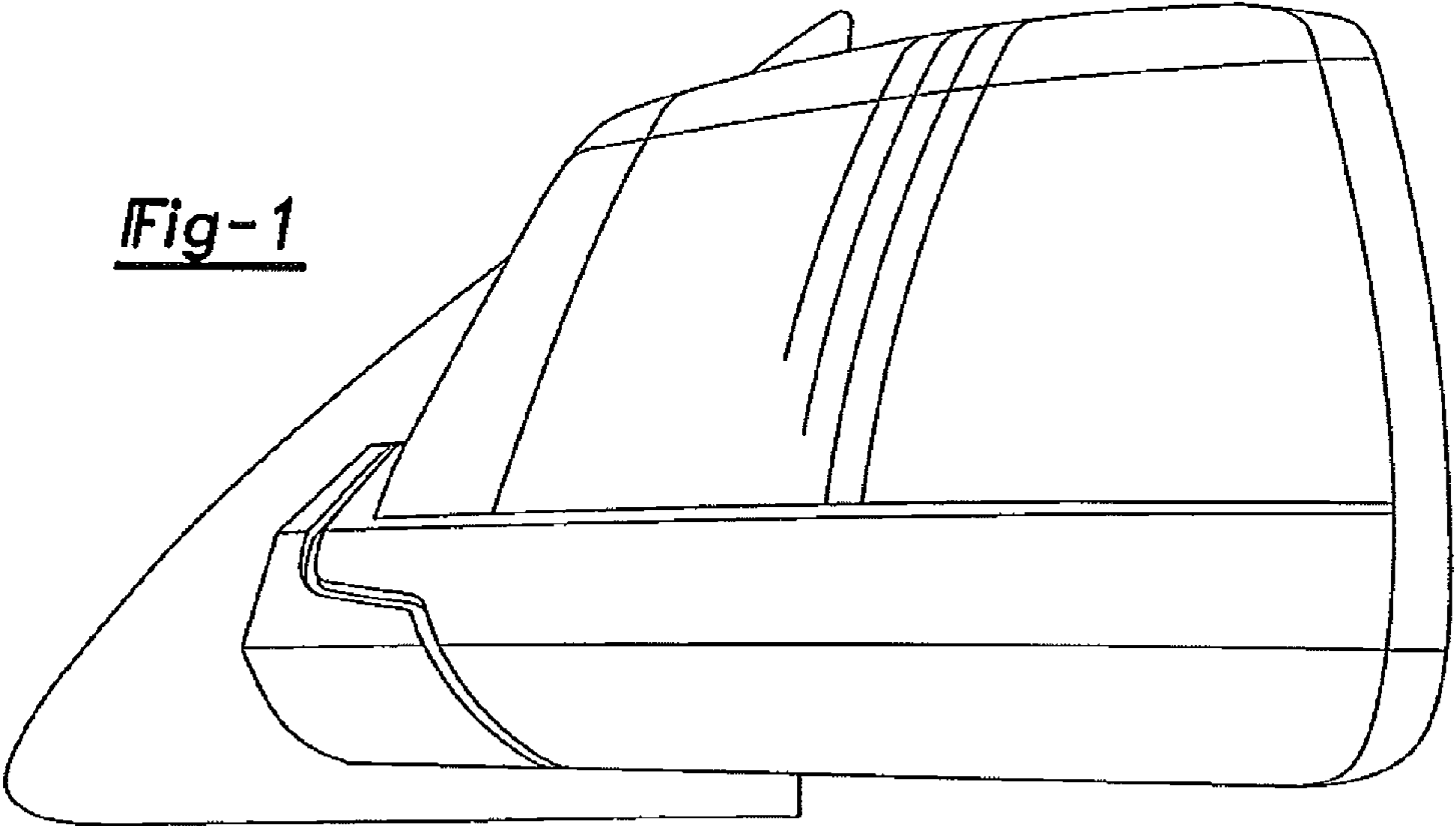
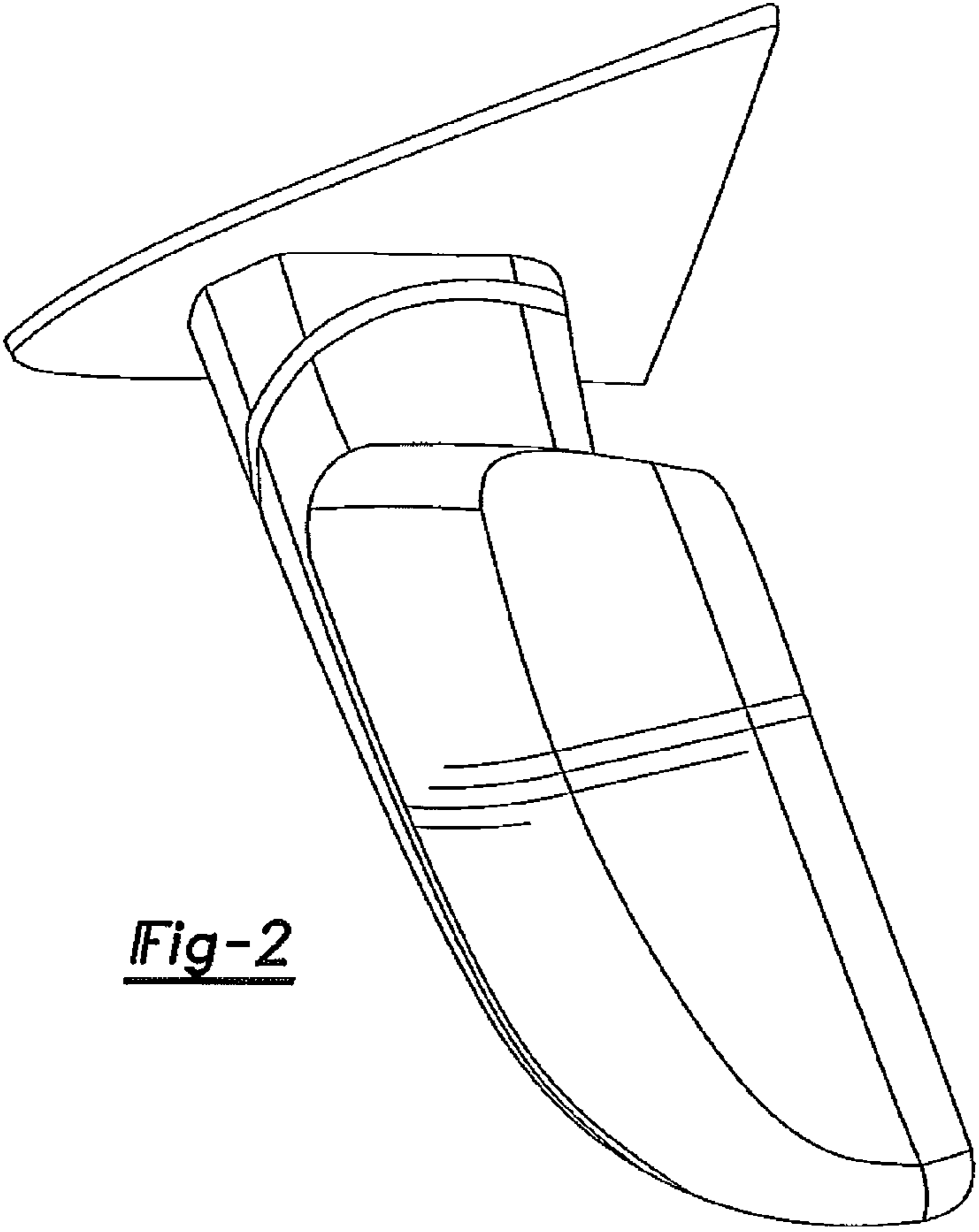


Fig-2



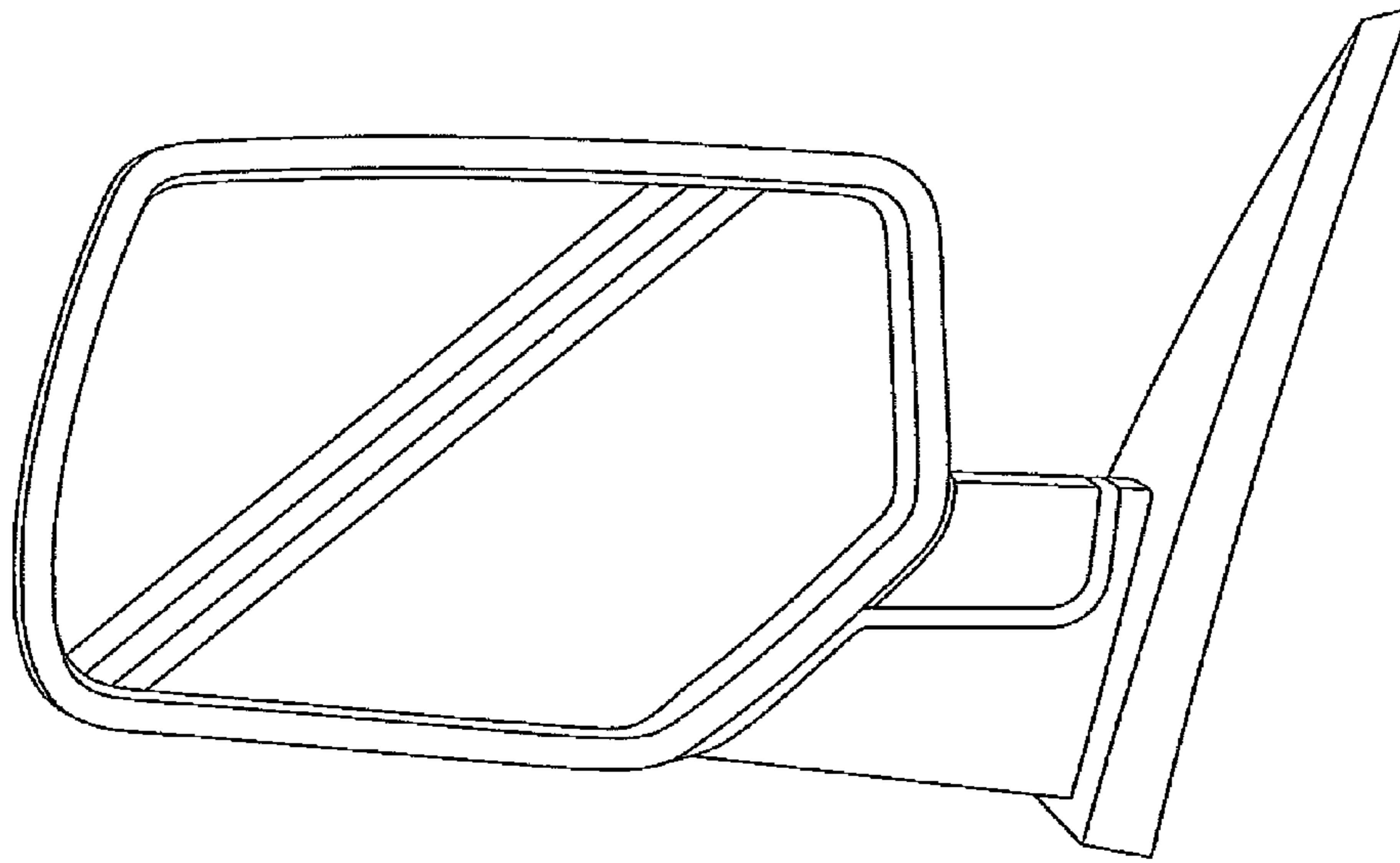


Fig-3

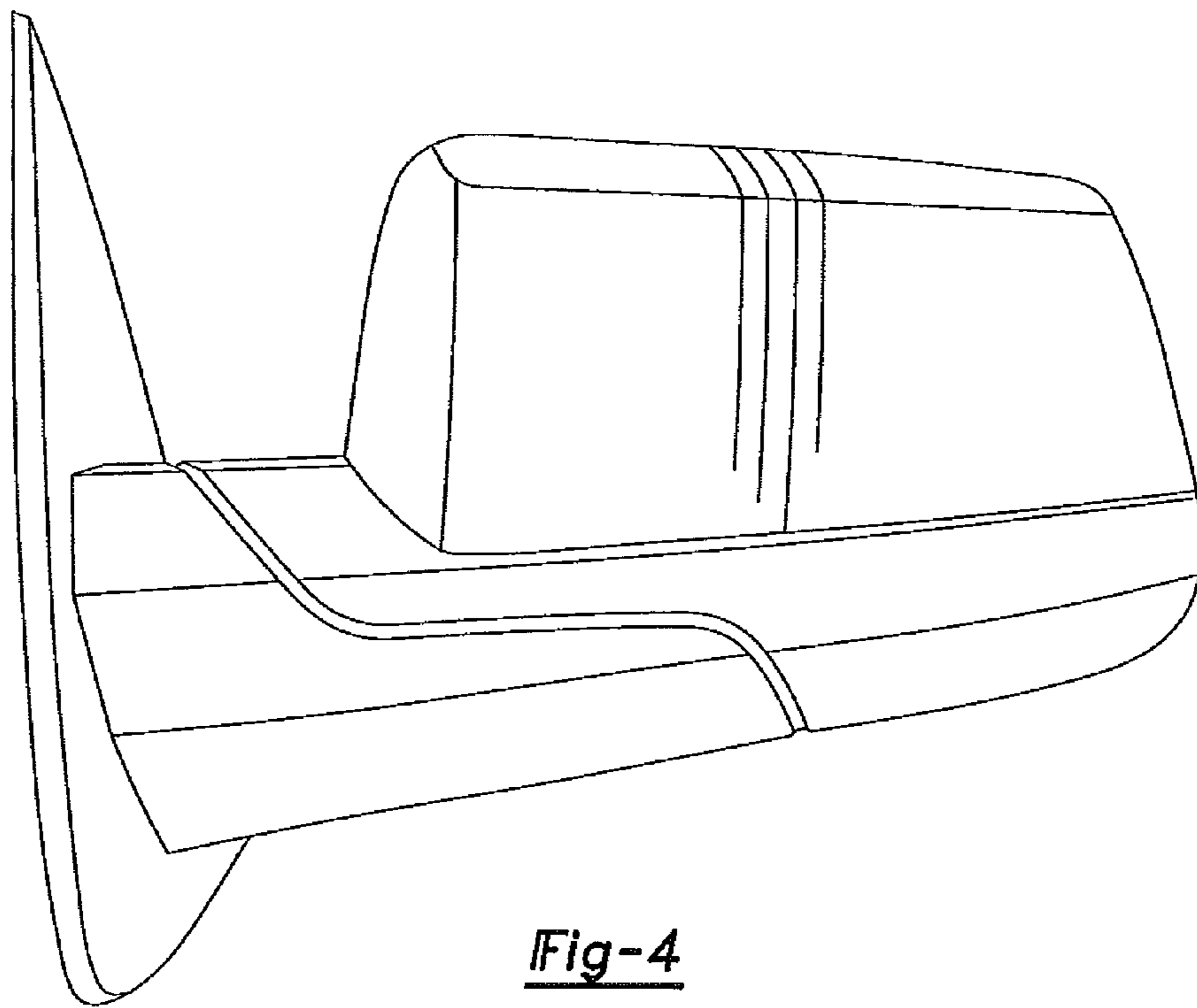


Fig-4

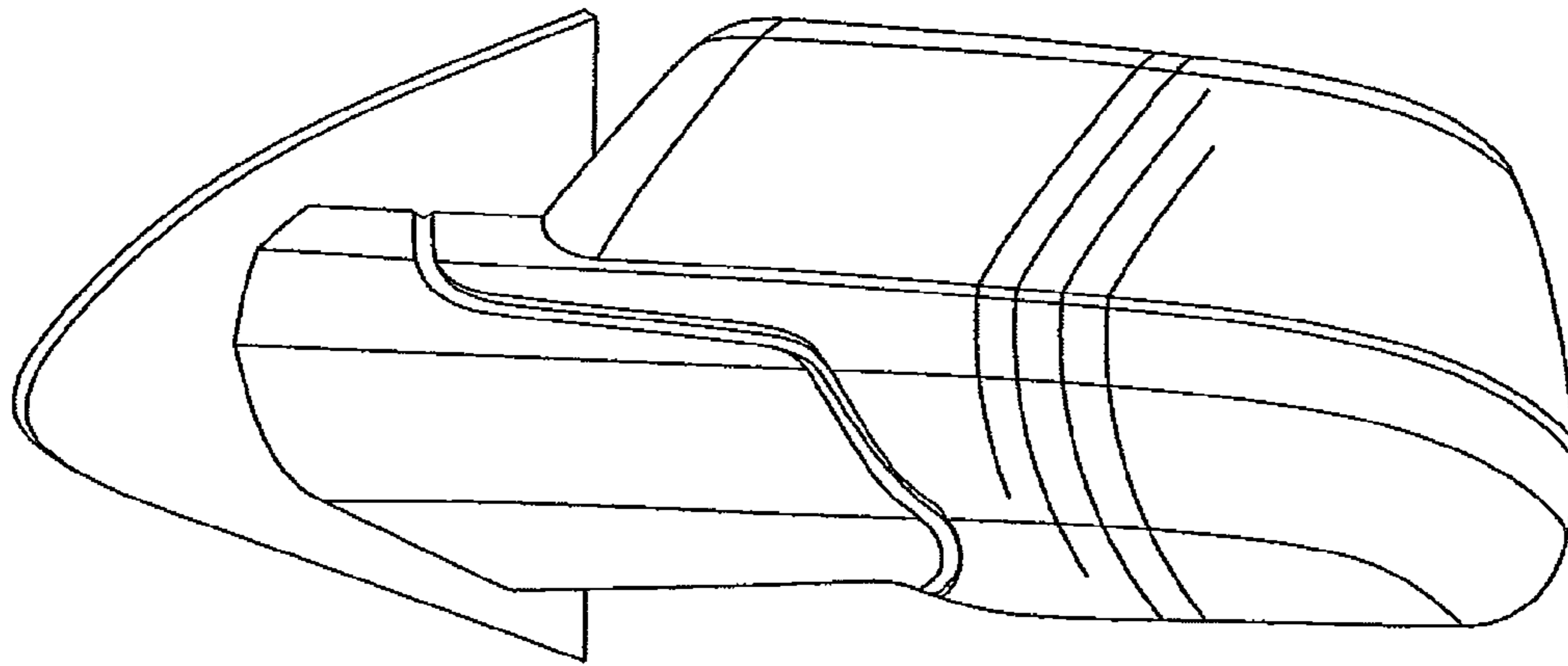


Fig-5