



US00D716204S

(12) **United States Design Patent**
Butterworth

(10) **Patent No.:** **US D716,204 S**

(45) **Date of Patent:** **** Oct. 28, 2014**

(54) **VEHICLE COMPONENT**

(71) Applicant: **Jaguar Land Rover Limited**, Coventry (GB)

(72) Inventor: **Simon Butterworth**, Coventry (GB)

(73) Assignee: **Jaguar land Rover Limited** (GB)

(**) Term: **14 Years**

(21) Appl. No.: **29/456,007**

(22) Filed: **May 28, 2013**

(30) **Foreign Application Priority Data**

Nov. 26, 2012 (EM) 002142448

Nov. 26, 2012 (EM) 002142471

(51) **LOC (10) Cl.** **12-08**

(52) **U.S. Cl.**
USPC **D12/181**

(58) **Field of Classification Search**
USPC D12/181, 191, 196, 400, 190, 88;
280/727, 770, 848; 296/180.1-180.5,
296/91; 180/903
See application file for complete search history.

(56) **References Cited**

U.S. PATENT DOCUMENTS

D409,963 S * 5/1999 Mobius et al. D12/181

D491,121 S * 6/2004 Yokomaku D12/181

D531,945 S * 11/2006 Saracoglu et al. D12/181

D559,751 S * 1/2008 Djordjevic D12/181

D573,070 S * 7/2008 Akasawa et al. D12/181

D597,457 S * 8/2009 Bhambra D12/181

D669,005 S * 10/2012 Varga D12/181

D683,677 S * 6/2013 Varga D12/181

D686,124 S * 7/2013 Kawasaki D12/181

D686,549 S * 7/2013 Ito D12/181

* cited by examiner

Primary Examiner — Katrina A Betton

(74) *Attorney, Agent, or Firm* — Rader, Fishman & Grauer PLLC

(57) **CLAIM**

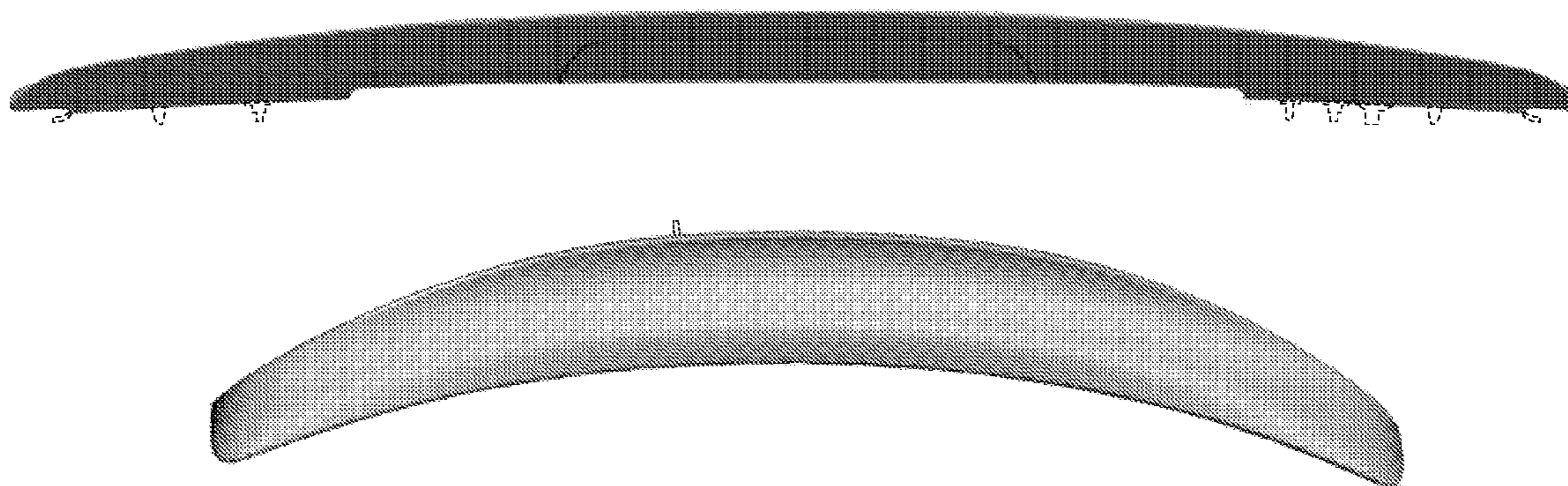
The ornamental design for vehicle component, as shown and described.

DESCRIPTION

FIG. 1 is a front perspective view of a vehicle component; FIG. 2 is a rear perspective view of a vehicle component; FIG. 3 is a front view of a vehicle component; FIG. 4 is a rear view of a vehicle component; FIG. 5 is a left side view of a vehicle component; FIG. 6 is a right side view of a vehicle component; FIG. 7 is a top view of a vehicle component; FIG. 8 is a bottom view of a vehicle component; and, FIG. 9 is a supplemental rear perspective view with vehicle component in the installed position.

In the drawings, the broken lines depict portions of a vehicle that form no part of the claimed design.

1 Claim, 6 Drawing Sheets



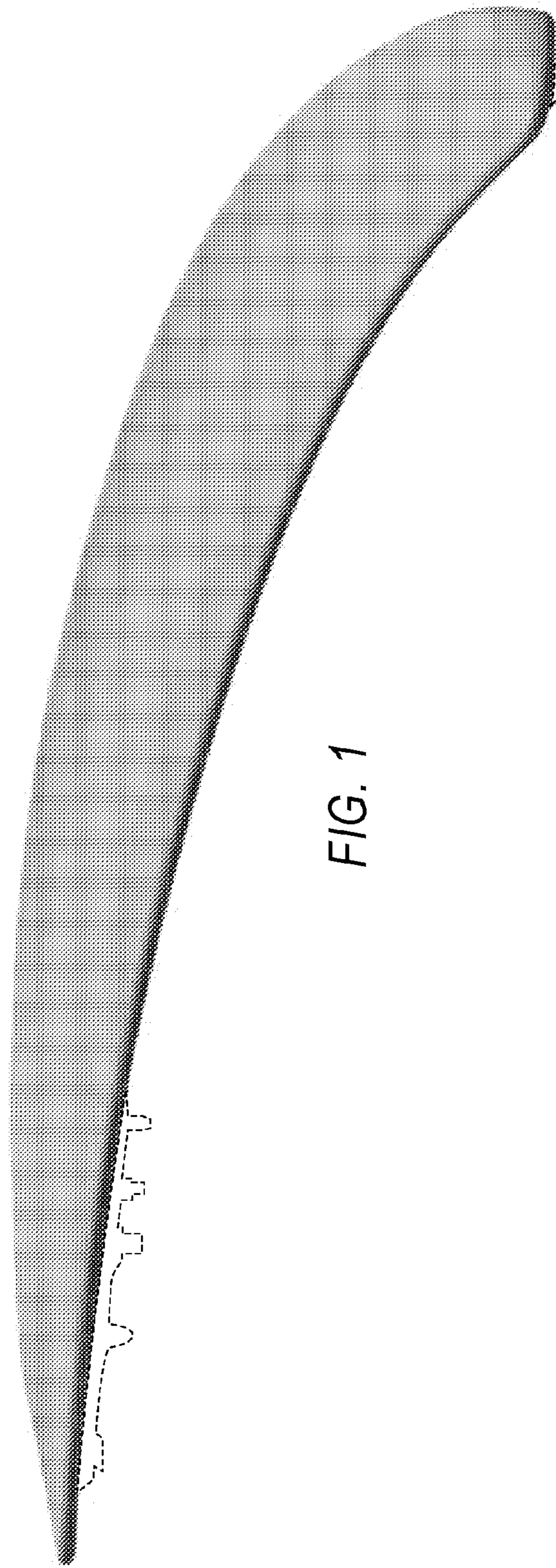


FIG. 1

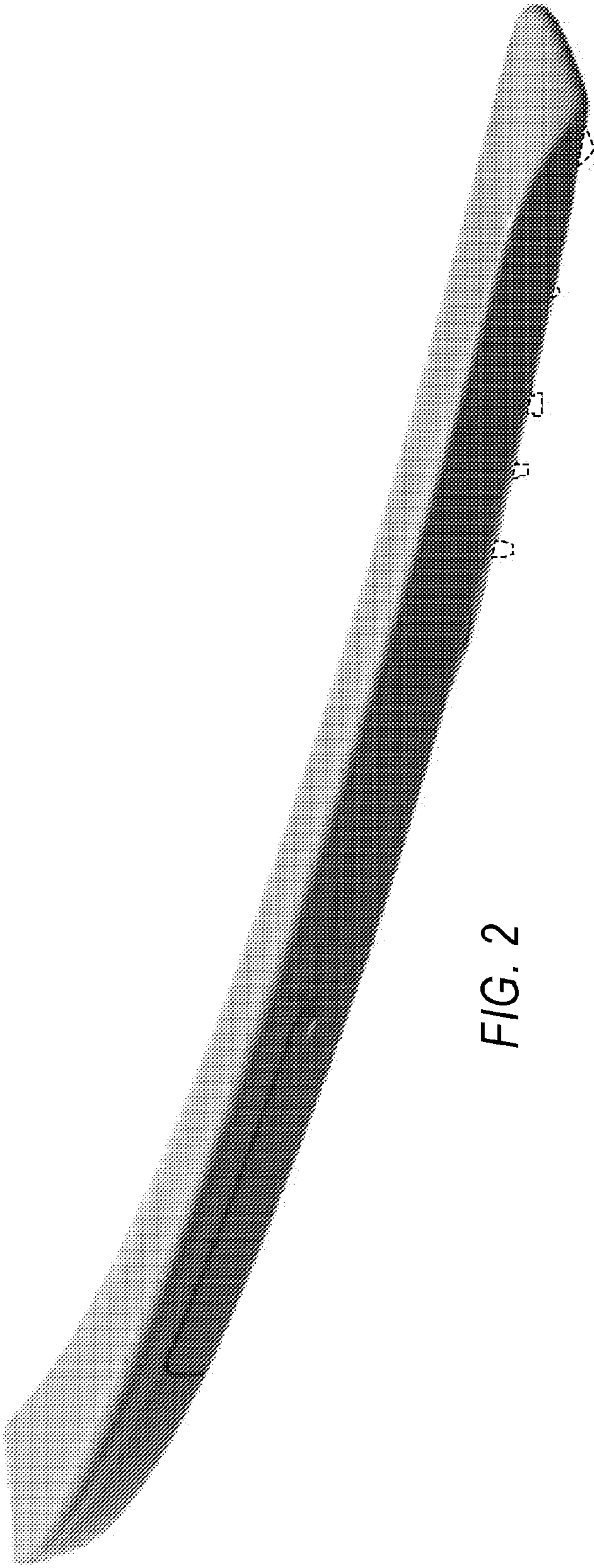


FIG. 2

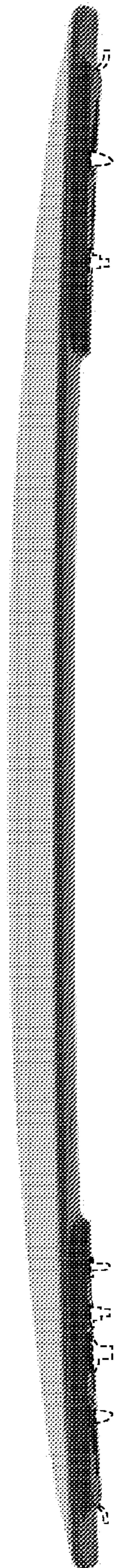


FIG. 3

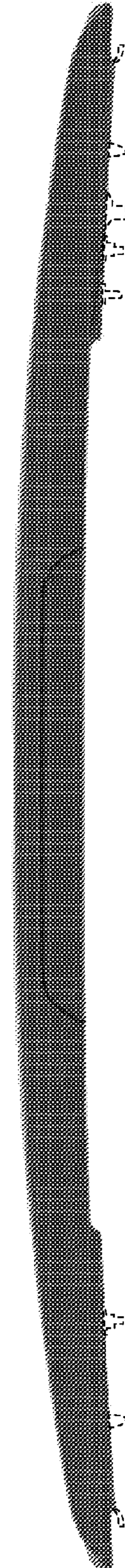


FIG. 4

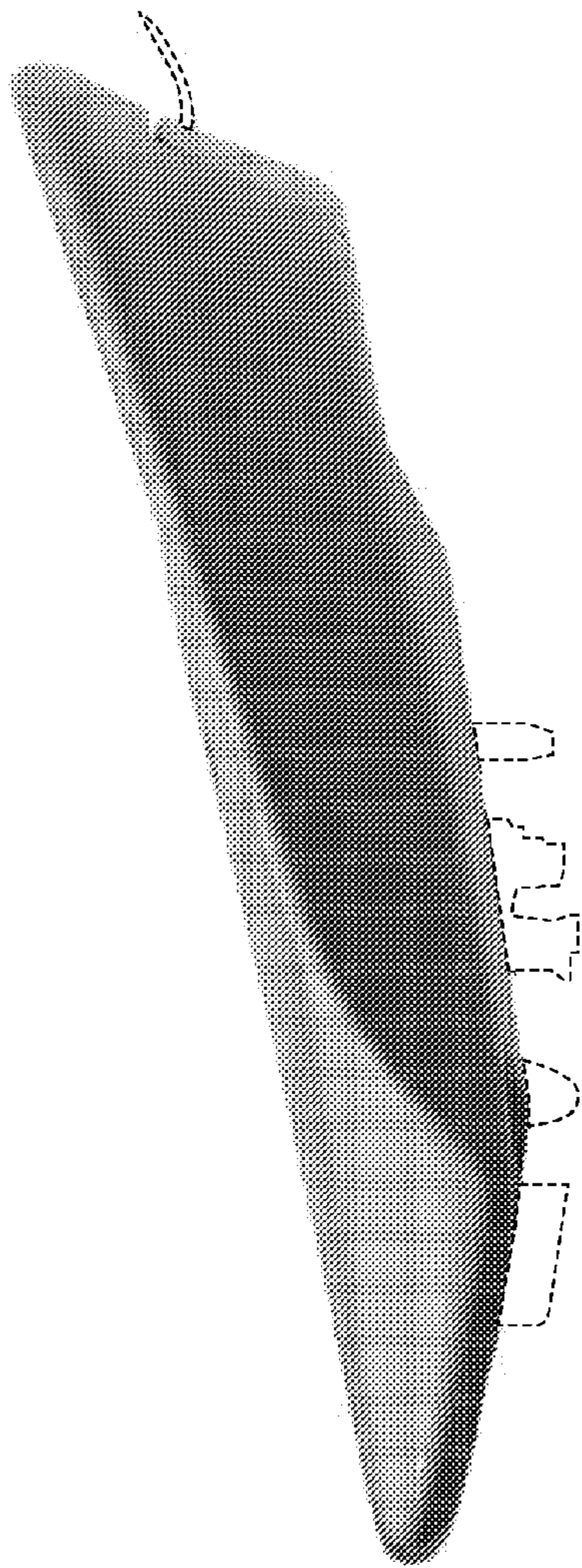


FIG. 5

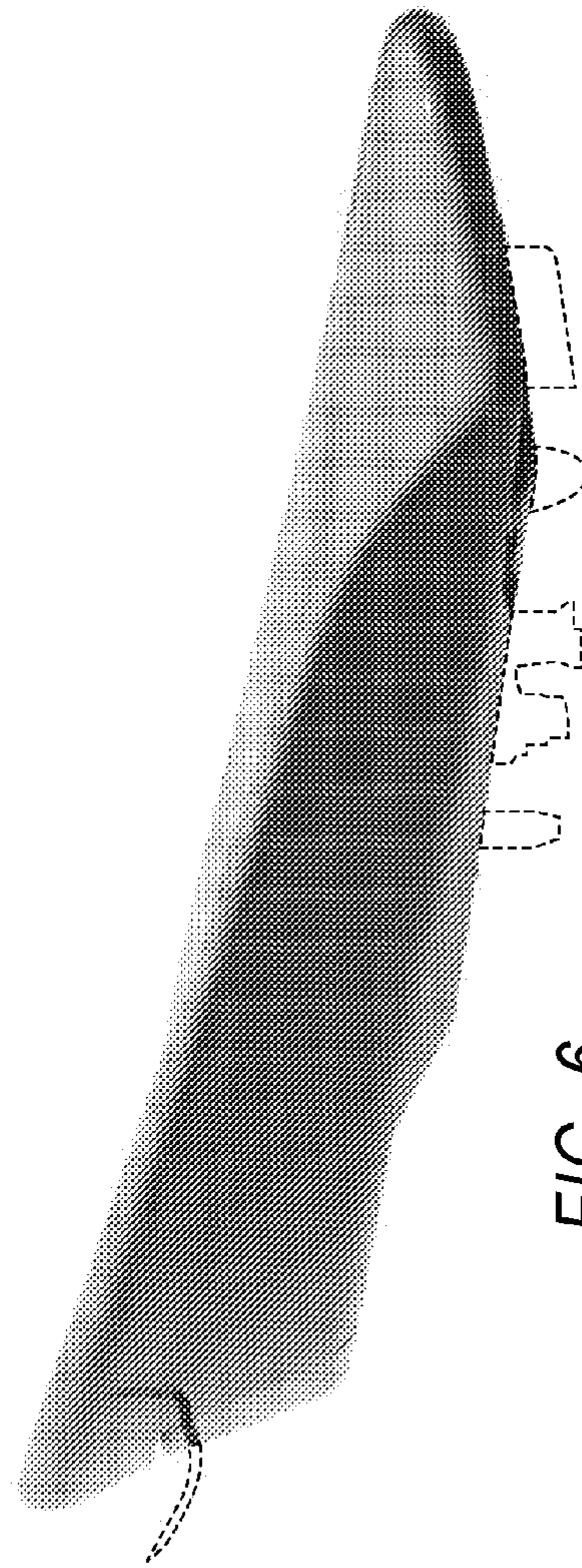


FIG. 6

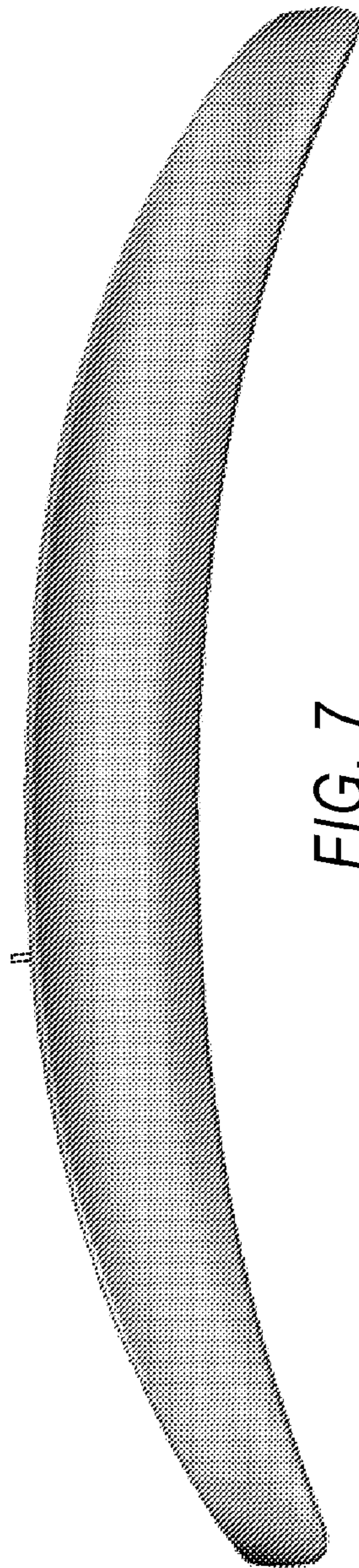


FIG. 7



FIG. 8

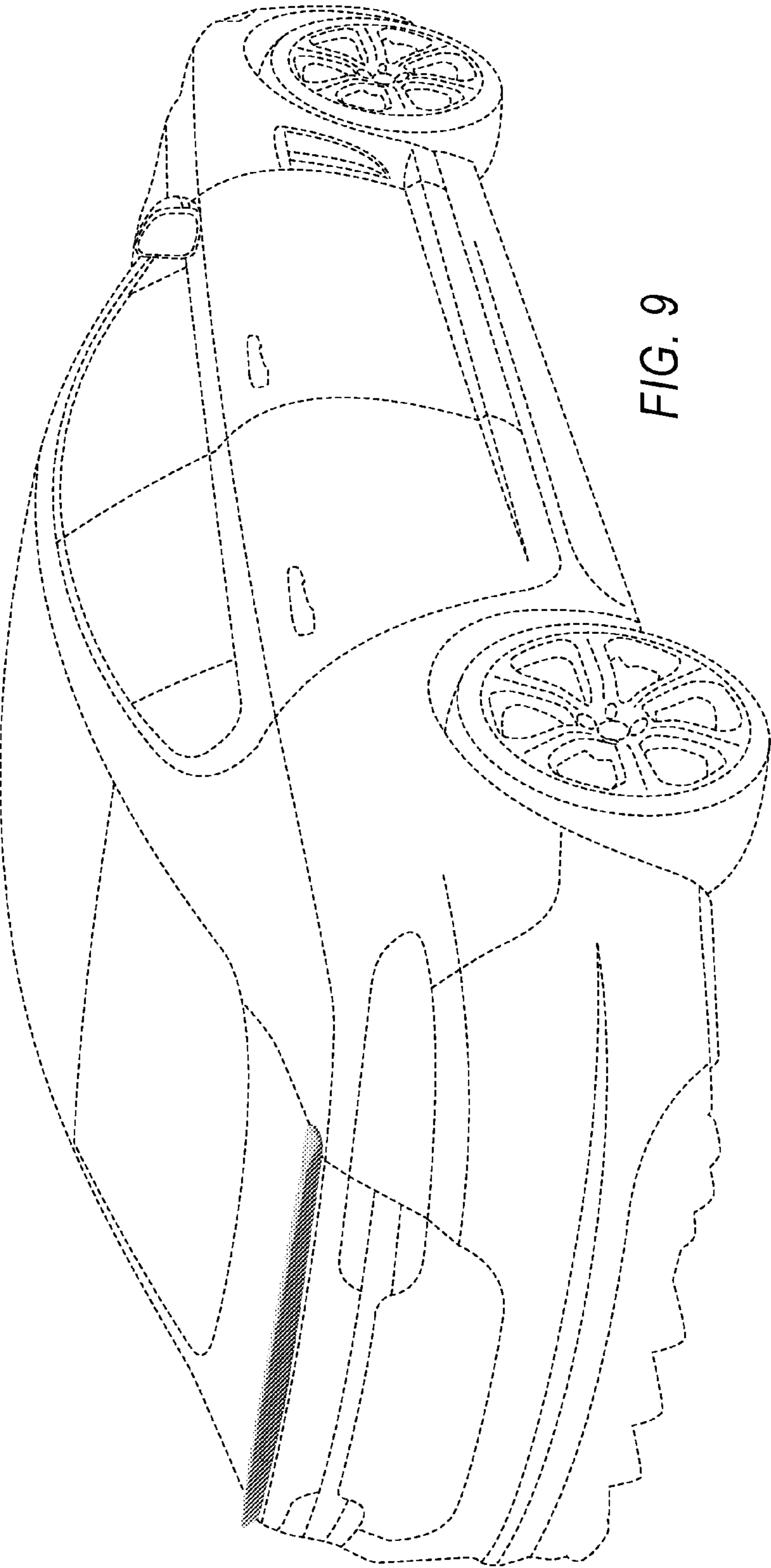


FIG. 9

UNITED STATES PATENT AND TRADEMARK OFFICE
CERTIFICATE OF CORRECTION

PATENT NO. : D716,204 S
APPLICATION NO. : 29/456007
DATED : October 28, 2014
INVENTOR(S) : Butterworth

Page 1 of 1

It is certified that error appears in the above-identified patent and that said Letters Patent is hereby corrected as shown below:

On the Title page

Item [71] add inventor, Joe Buck, Warwickshire (GB).

Item [73] delete "land" and insert --Land--.

Signed and Sealed this
Second Day of June, 2015



Michelle K. Lee
Director of the United States Patent and Trademark Office