



US00D716201S

(12) **United States Design Patent**
Ewing et al.

(10) **Patent No.:** **US D716,201 S**
(45) **Date of Patent:** **** Oct. 28, 2014**

(54) **FRONT BUMPER FOR A MODEL VEHICLE**

OTHER PUBLICATIONS

(71) Applicant: **Traxxas LP**, Plano, TX (US)

Traxxas LP; "The New Traxxas Summit 16.8 V Electric Extreme Terrain Monster Truck"; Traxxas Press Release; Oct. 16, 2008. Summit Erevo Crawler SP08503 front bumper; Oct. 16, 2008.

(72) Inventors: **Adam Cole Ewing**, McKinney, TX (US); **Kent Poteet**, Lucas, TX (US)

* cited by examiner

(73) Assignee: **Traxxas LP**, McKinney, TX (US)

Primary Examiner — Philip S Hyder

(**) Term: **14 Years**

Assistant Examiner — Darlington Ly

(21) Appl. No.: **29/475,765**

(74) *Attorney, Agent, or Firm* — Carr Law Firm PLLC

(22) Filed: **Dec. 6, 2013**

(57) **CLAIM**

(51) **LOC (10) Cl.** **12-16**

We claim the ornamental design for a front bumper for a model vehicle, as shown and described.

(52) **U.S. Cl.**

USPC **D12/171**

(58) **Field of Classification Search**

DESCRIPTION

USPC D12/90–92, 98, 163, 169, 171;
D21/548, 549, 550, 561, 562;
180/86.1, 86.2; 296/95.1, 97.7;
293/102, 144, 155; 280/163, 164;
150/168

See application file for complete search history.

(56) **References Cited**

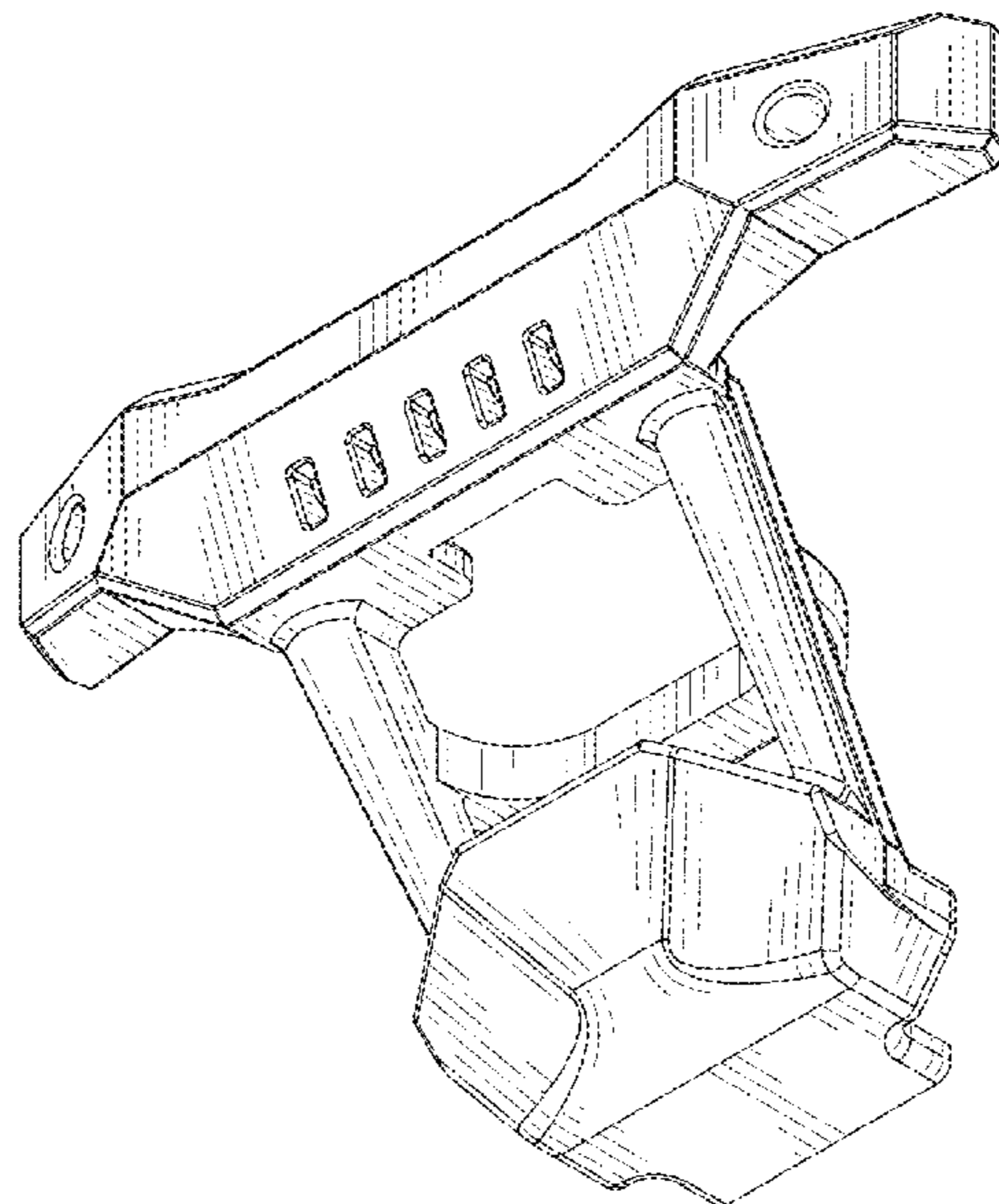
U.S. PATENT DOCUMENTS

D420,962 S *	2/2000	Chevalier	D12/171
D422,953 S *	4/2000	Waagenaar	D12/171
D425,462 S *	5/2000	Ujiie	D12/171
D455,684 S *	4/2002	McGuinness	D12/171
D527,696 S *	9/2006	Ichikawa et al.	D12/171
D532,348 S *	11/2006	Kudo et al.	D12/171
D580,322 S *	11/2008	Schroeder et al.	D12/171
D606,913 S *	12/2009	Robertson	D12/171
D636,305 S *	4/2011	Alvarez et al.	D12/171
D642,099 S *	7/2011	Nagao et al.	D12/171
D691,074 S *	10/2013	Dugardin	D12/171
2009/0212581 A1 *	8/2009	Drever	293/115
2013/0187395 A1 *	7/2013	Hanson et al.	293/115

FIG. 1 is a perspective view of a front bumper for a model vehicle taken from the front, top and right side; FIG. 2 is a perspective view thereof taken from the front, bottom and right side; FIG. 3 is a front elevation view thereof; FIG. 4 is a top plan view thereof; FIG. 5 is a bottom plan view thereof; FIG. 6 is a right side elevation view thereof; FIG. 7 is a perspective view thereof taken from the rear, bottom, and right side; FIG. 8 is a perspective view thereof taken from the rear, top, and right side; and, FIG. 9 is a rear elevation view thereof.

The appearance of the left side of the front bumper for a model vehicle is a mirror image of the right side of the front bumper for a model vehicle. The portions of the figures presented in dotted lines show environmental structure that forms no part of the claimed design.

1 Claim, 4 Drawing Sheets



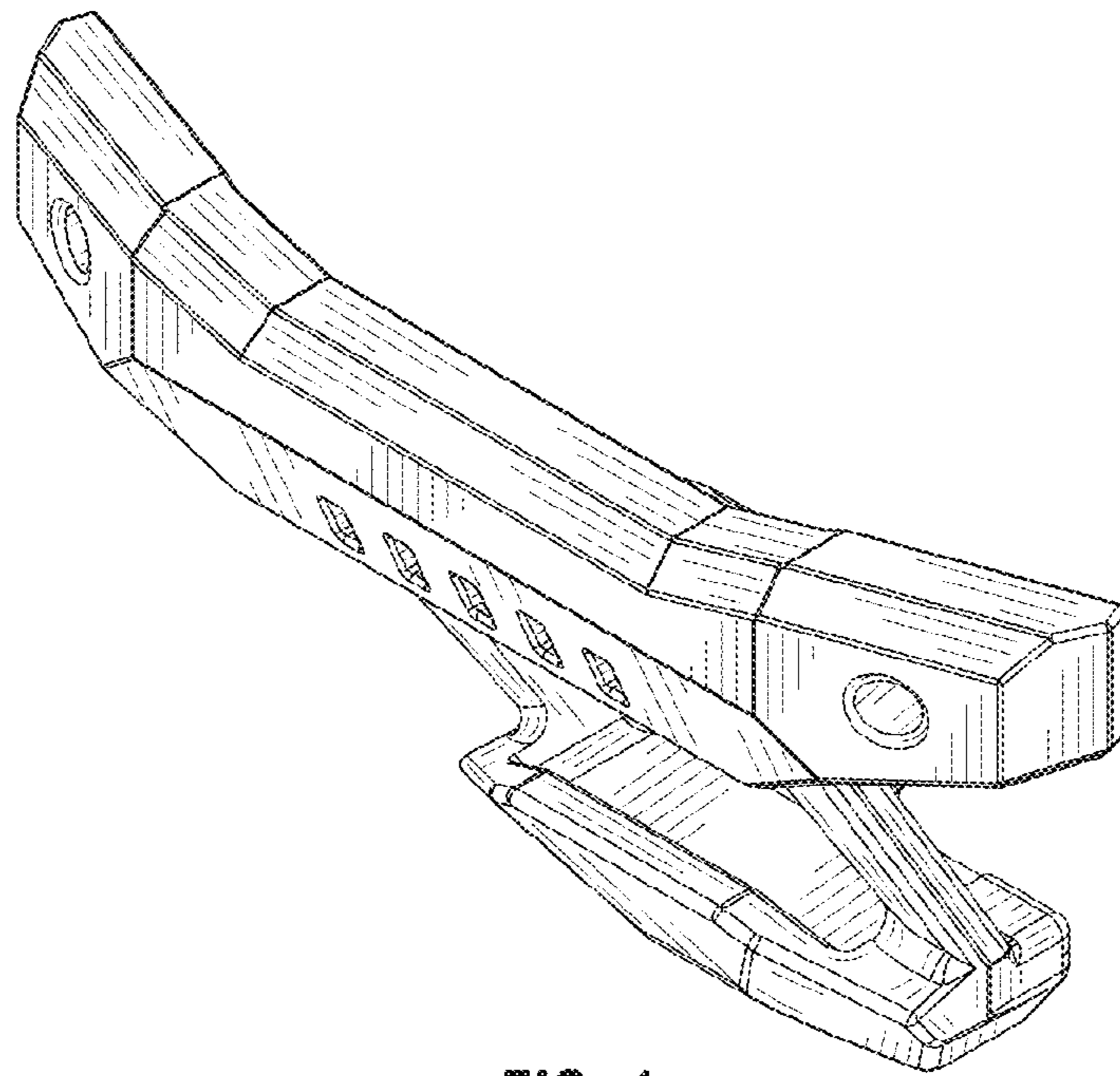


FIG. 1

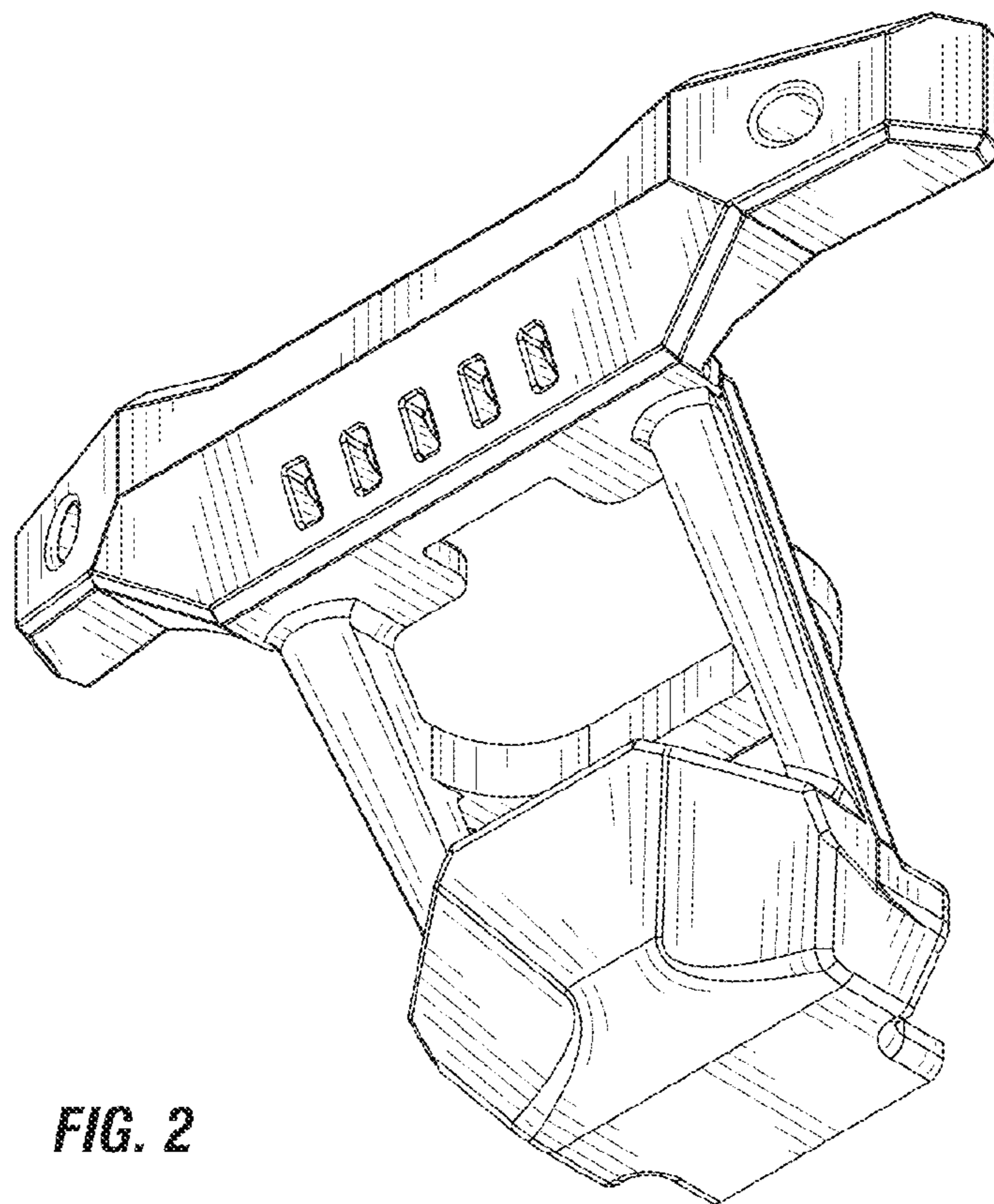


FIG. 2

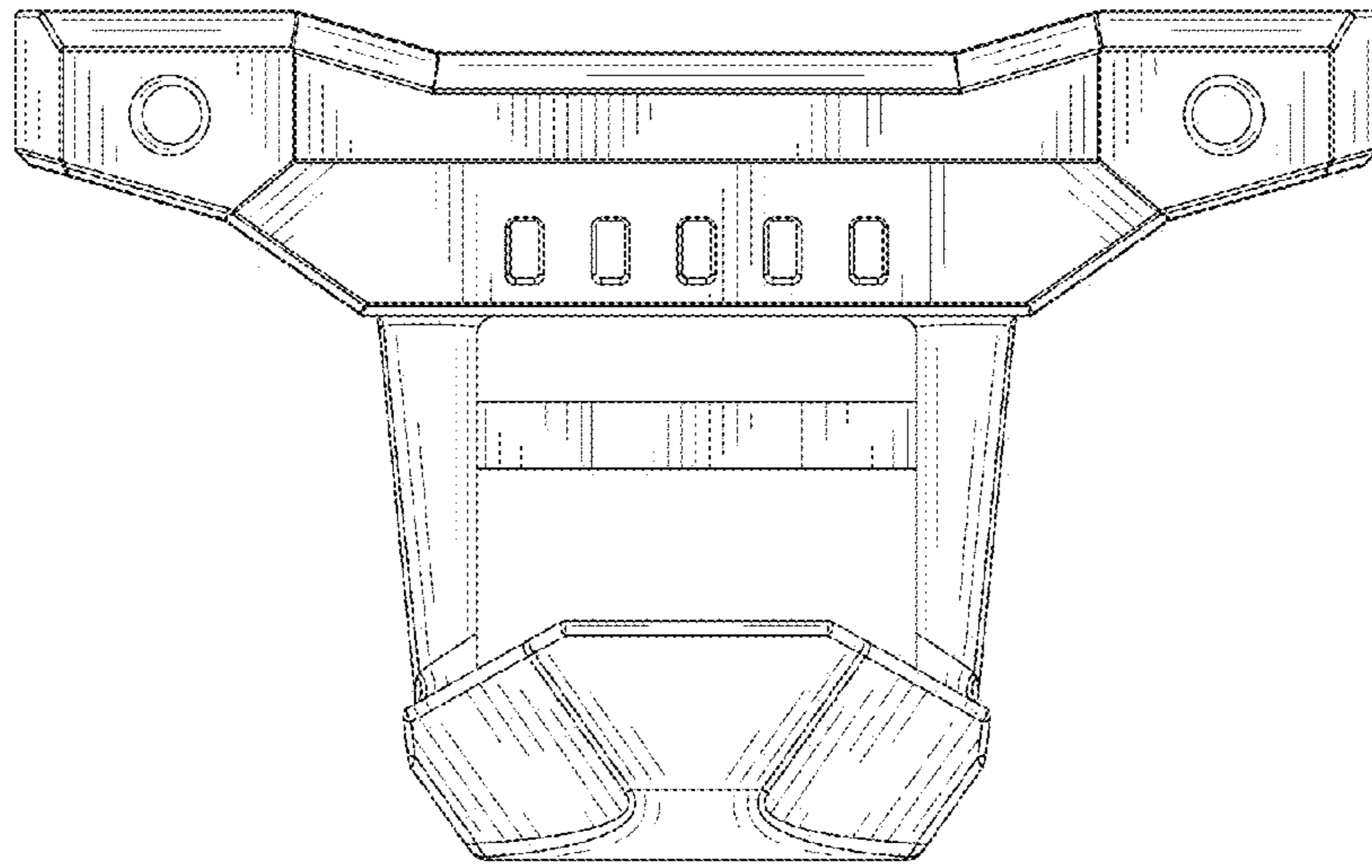


FIG. 3

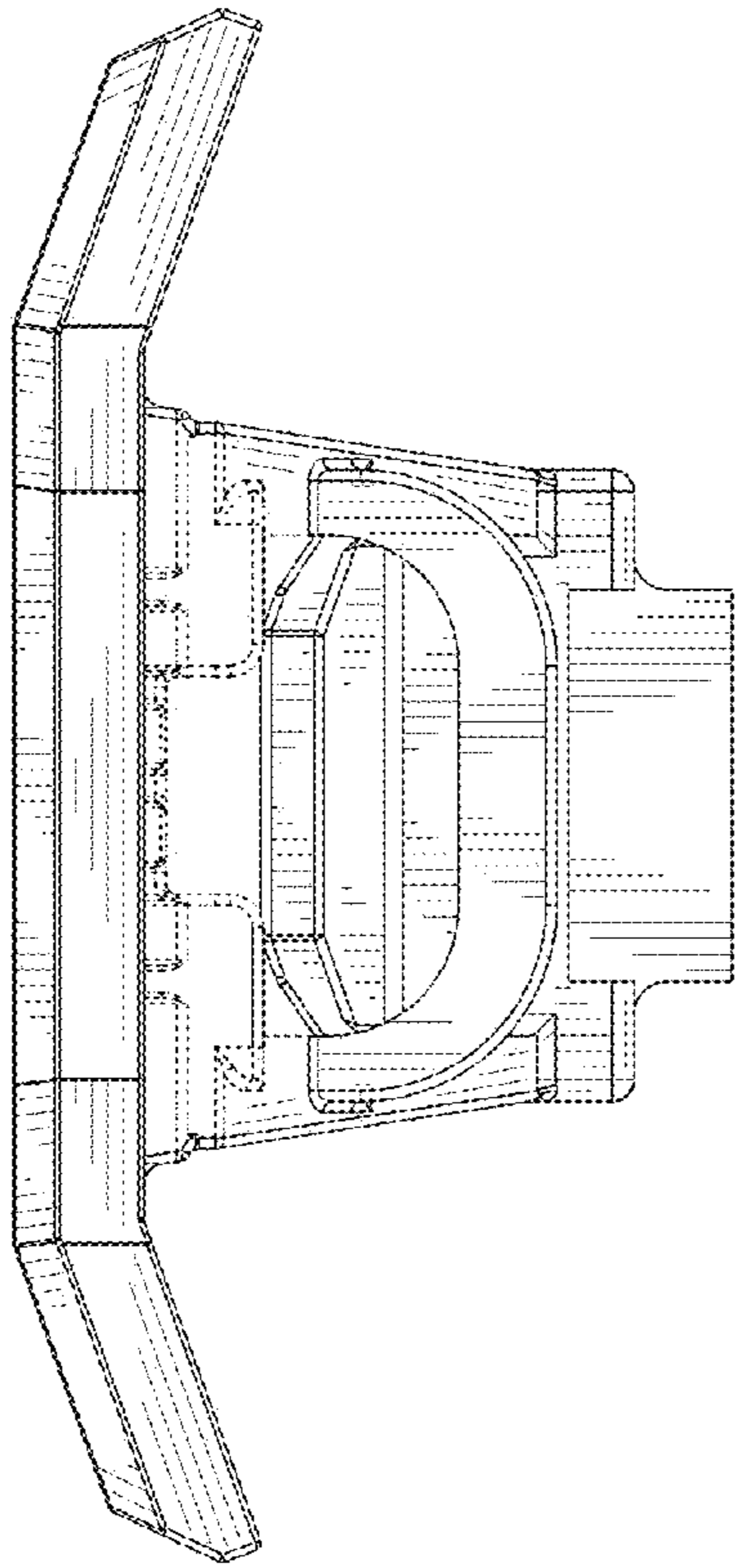


FIG. 4

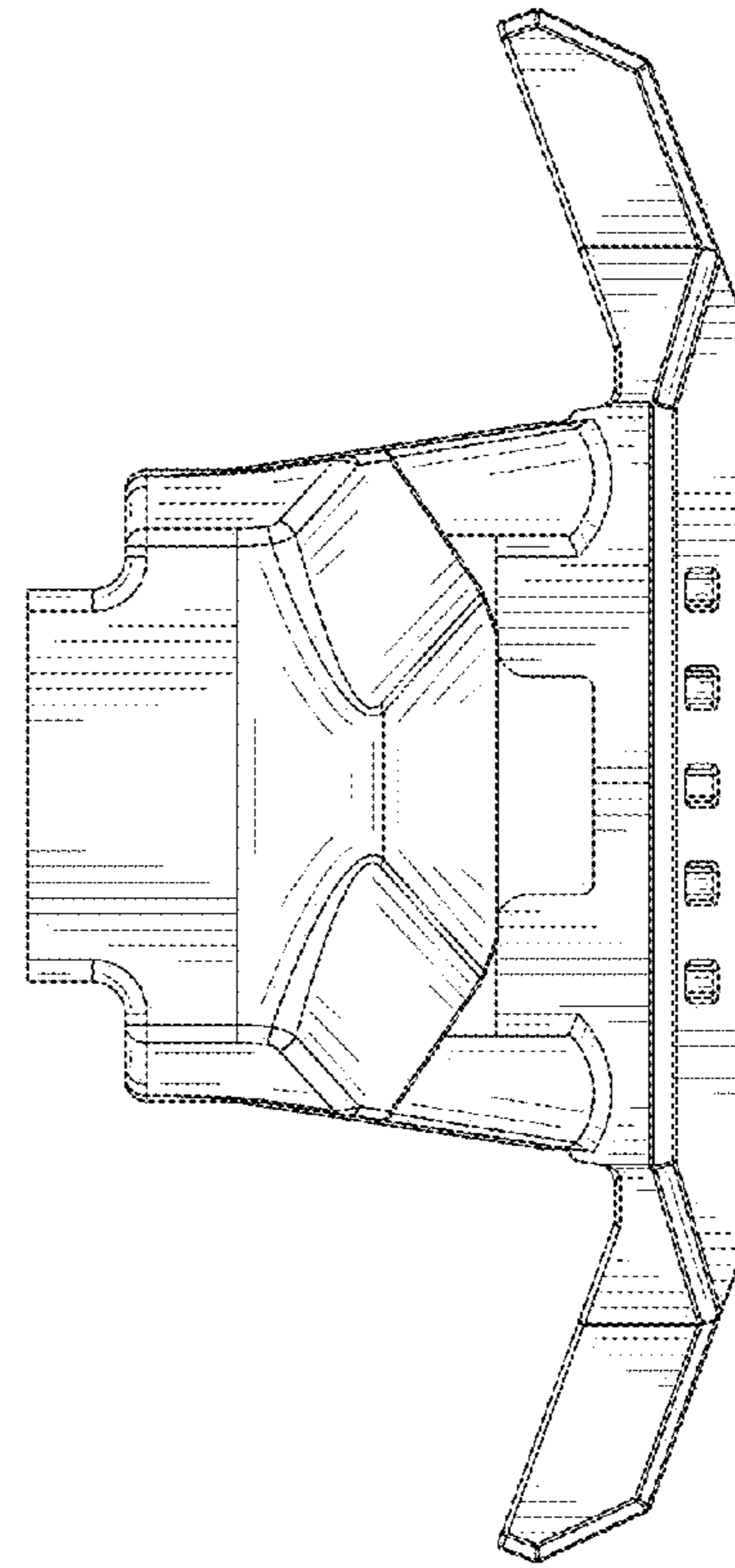


FIG. 5

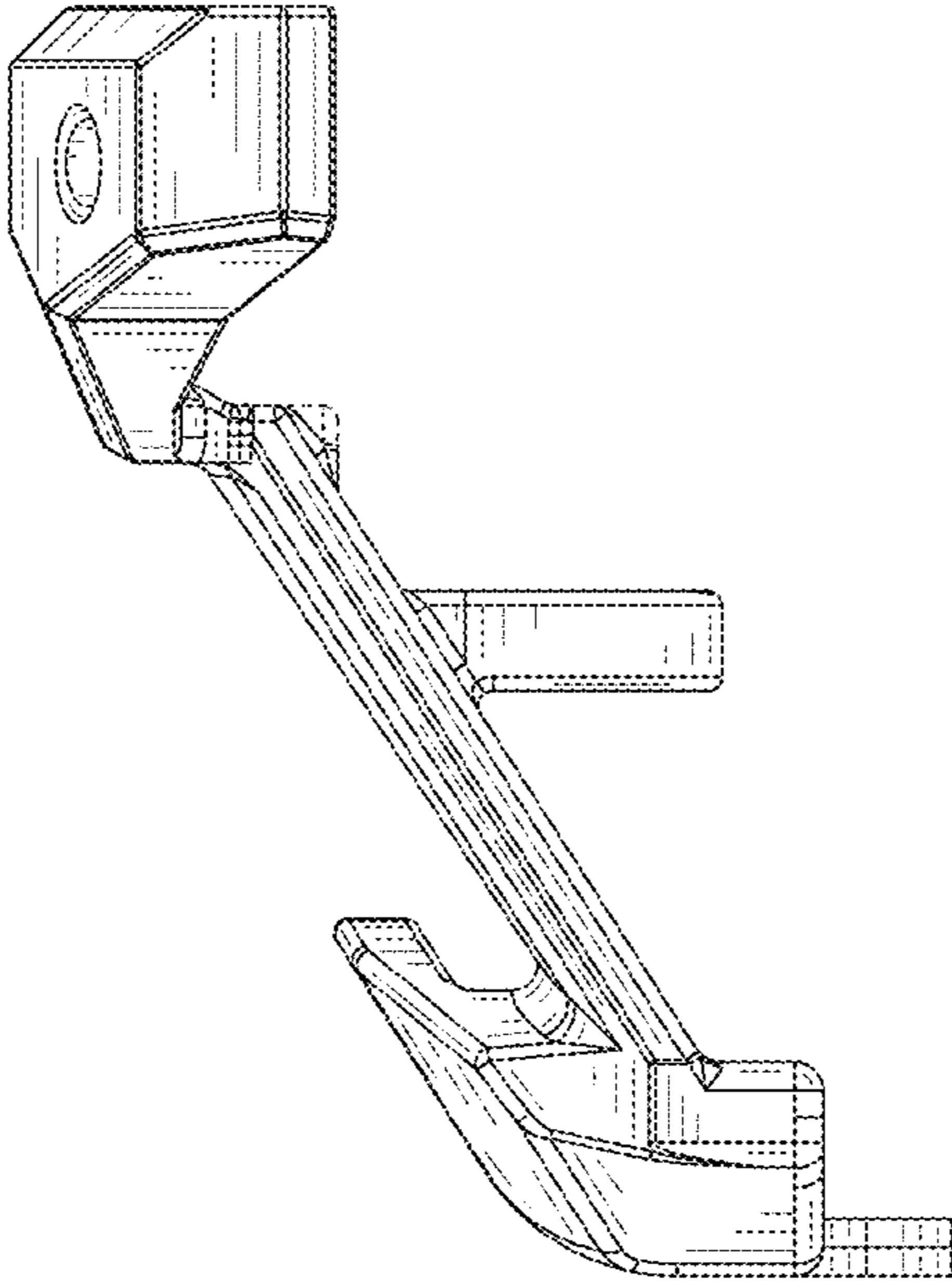


FIG. 6

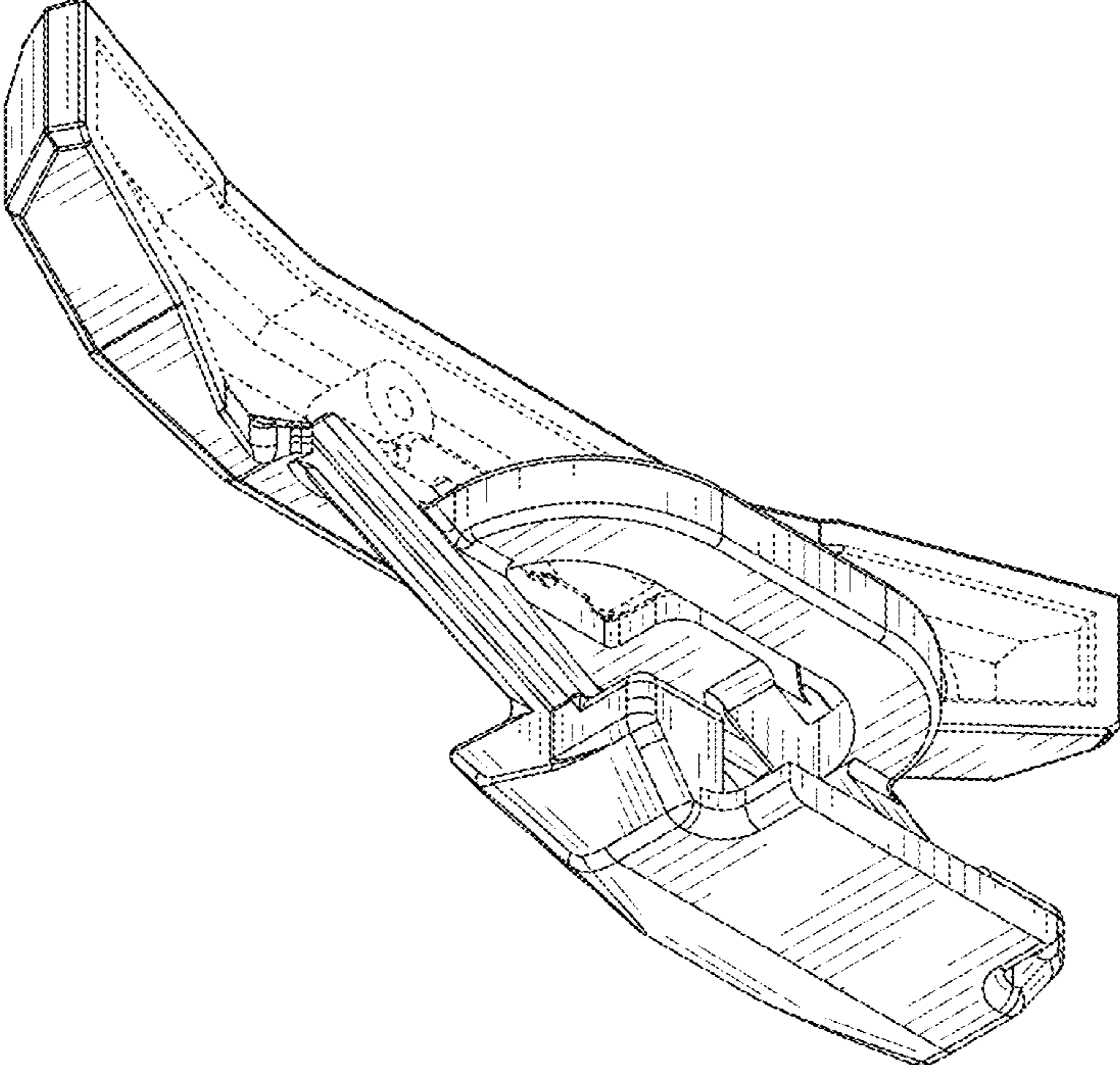


FIG. 7

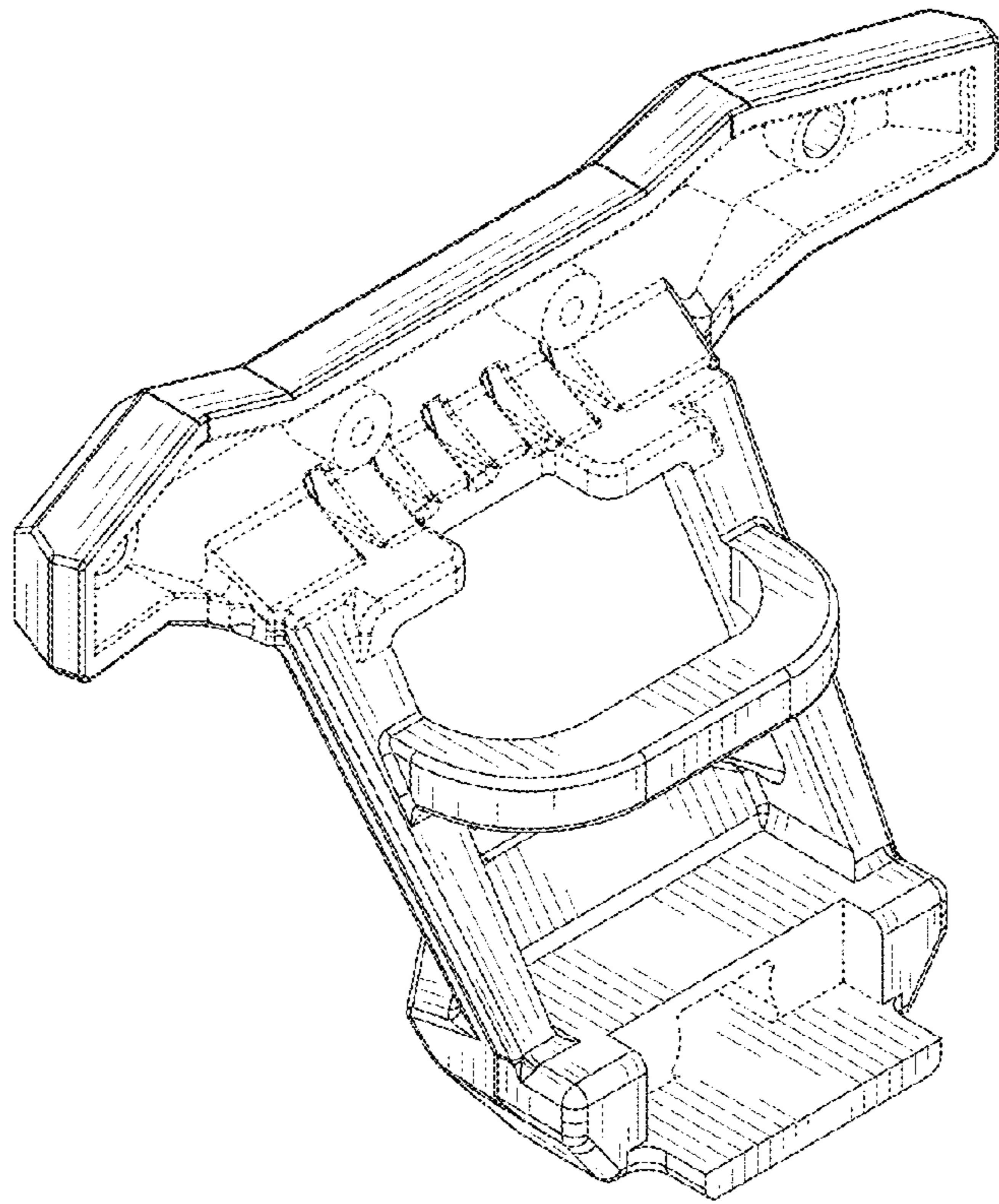


FIG. 8

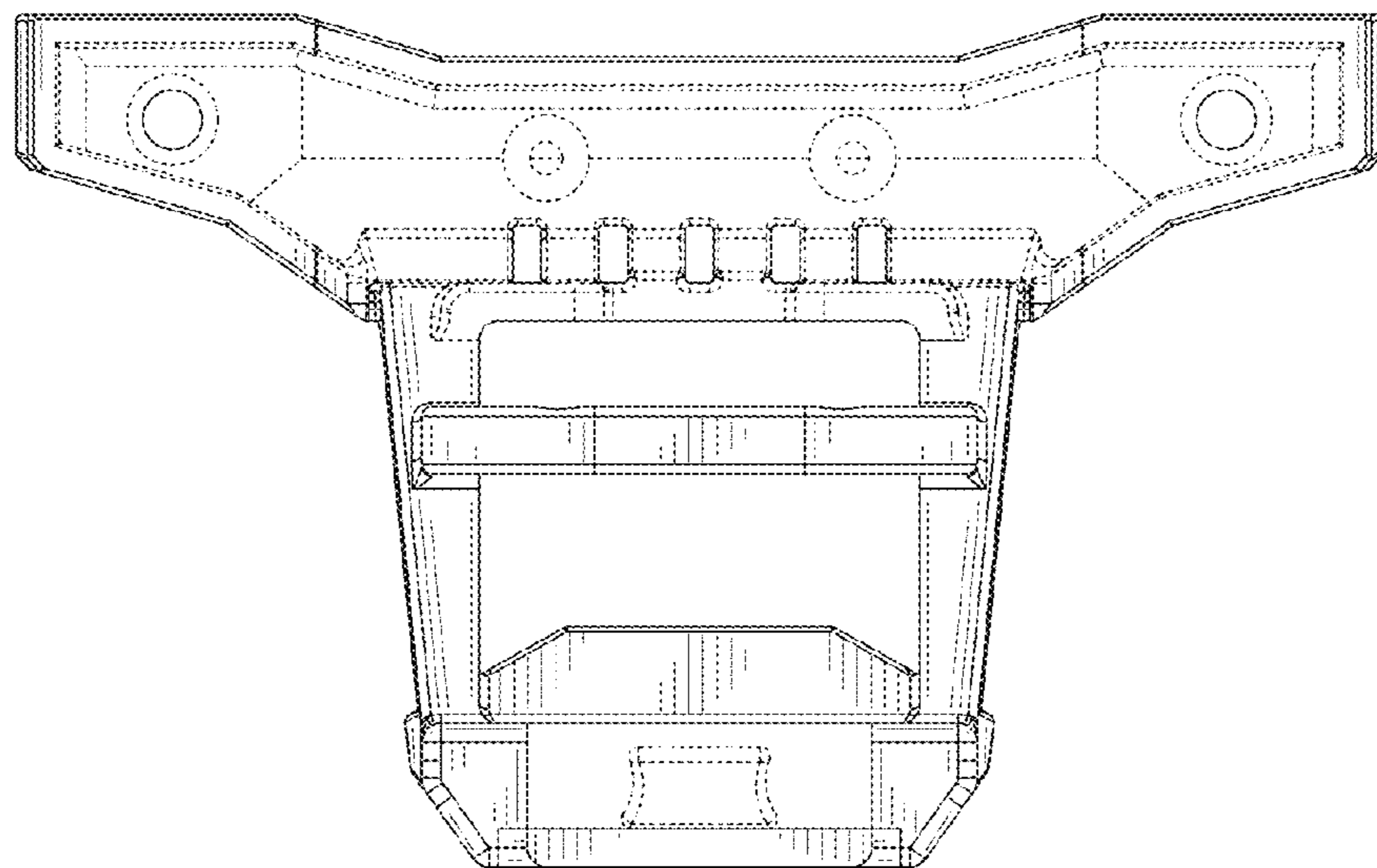


FIG. 9