



US00D716200S

(12) **United States Design Patent**
Pevovar et al.

(10) **Patent No.:** **US D716,200 S**
(45) **Date of Patent:** **** Oct. 28, 2014**

- (54) **VEHICLE FRONT BUMPER**
- (71) Applicant: **GM Global Technology Operations LLC**, Detroit, MI (US)
- (72) Inventors: **Michael J. Pevovar**, Northville Township, MI (US); **Jong Hyuk Park**, Troy, MI (US)
- (73) Assignee: **GM Global Technology Operations LLC**, Detroit, MI (US)
- (**) Term: **14 Years**
- (21) Appl. No.: **29/461,834**
- (22) Filed: **Jul. 29, 2013**
- (51) **LOC (10) Cl.** **12-16**
- (52) **U.S. Cl.**
USPC **D12/169**
- (58) **Field of Classification Search**
USPC D12/163, 196, 171, 169, 216, 90-92, D12/86; 180/68.1, 68.6; 296/193.11
See application file for complete search history.

D586,705 S *	2/2009	Bauer et al.	D12/169
D589,414 S *	3/2009	Futschik et al.	D12/169
D605,096 S *	12/2009	Mueller	D12/169
D610,956 S *	3/2010	Truebsbach	D12/169
D623,566 S *	9/2010	Bauer et al.	D12/169
D625,230 S *	10/2010	Hirai et al.	D12/169
D626,473 S *	11/2010	Mueller	D12/169
D630,978 S *	1/2011	Koshino et al.	D12/169
D633,013 S *	2/2011	Bauer et al.	D12/169
D636,303 S *	4/2011	Frei et al.	D12/169
D637,945 S *	5/2011	Nakagawa	D12/169
D656,871 S *	4/2012	Fetherston et al.	D12/169
D668,189 S *	10/2012	Gifford	D12/169

* cited by examiner

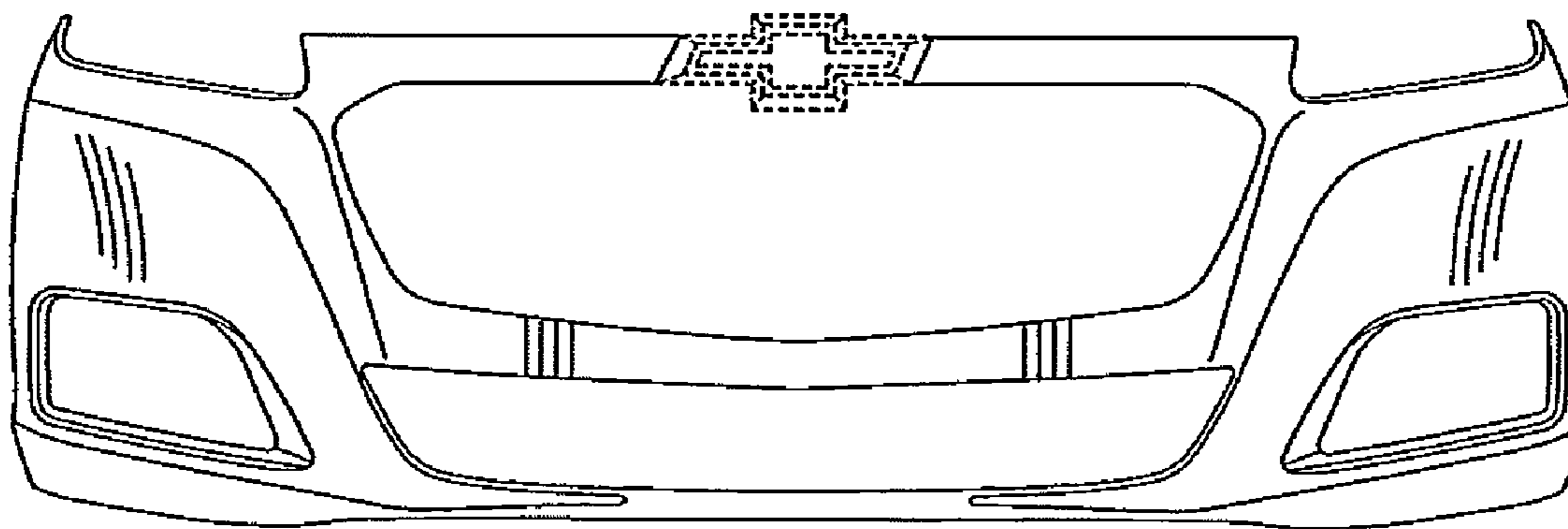
Primary Examiner — Melody Brown
(74) *Attorney, Agent, or Firm* — Parks IP Law; Mickki D. Murray

(57) **CLAIM**
The ornamental design for an vehicle front bumper, as shown and described.

DESCRIPTION
FIG. 1 is perspective view of an vehicle front bumper showing the new design;
FIG. 2 is a side view, thereof;
FIG. 3 is a top plan view, thereof; and,
FIG. 4 is a front view, thereof.
In the figures, features shown by broken lines are for illustrative purposes only and form no part of the claimed design.

- (56) **References Cited**
U.S. PATENT DOCUMENTS
D550,594 S * 9/2007 Pfeiffer D12/169
D578,451 S * 10/2008 Jodo et al. D12/169
D580,314 S * 11/2008 Yamaji D12/169

1 Claim, 1 Drawing Sheet



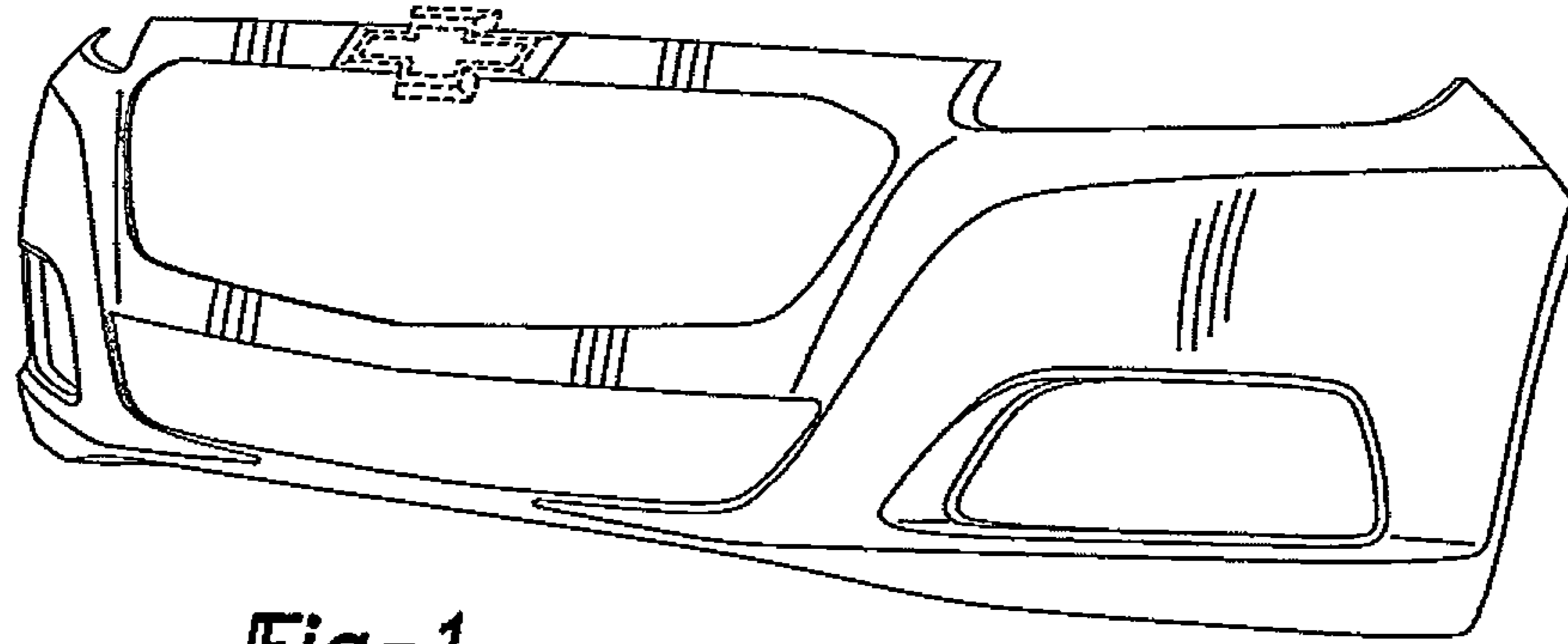


Fig-1

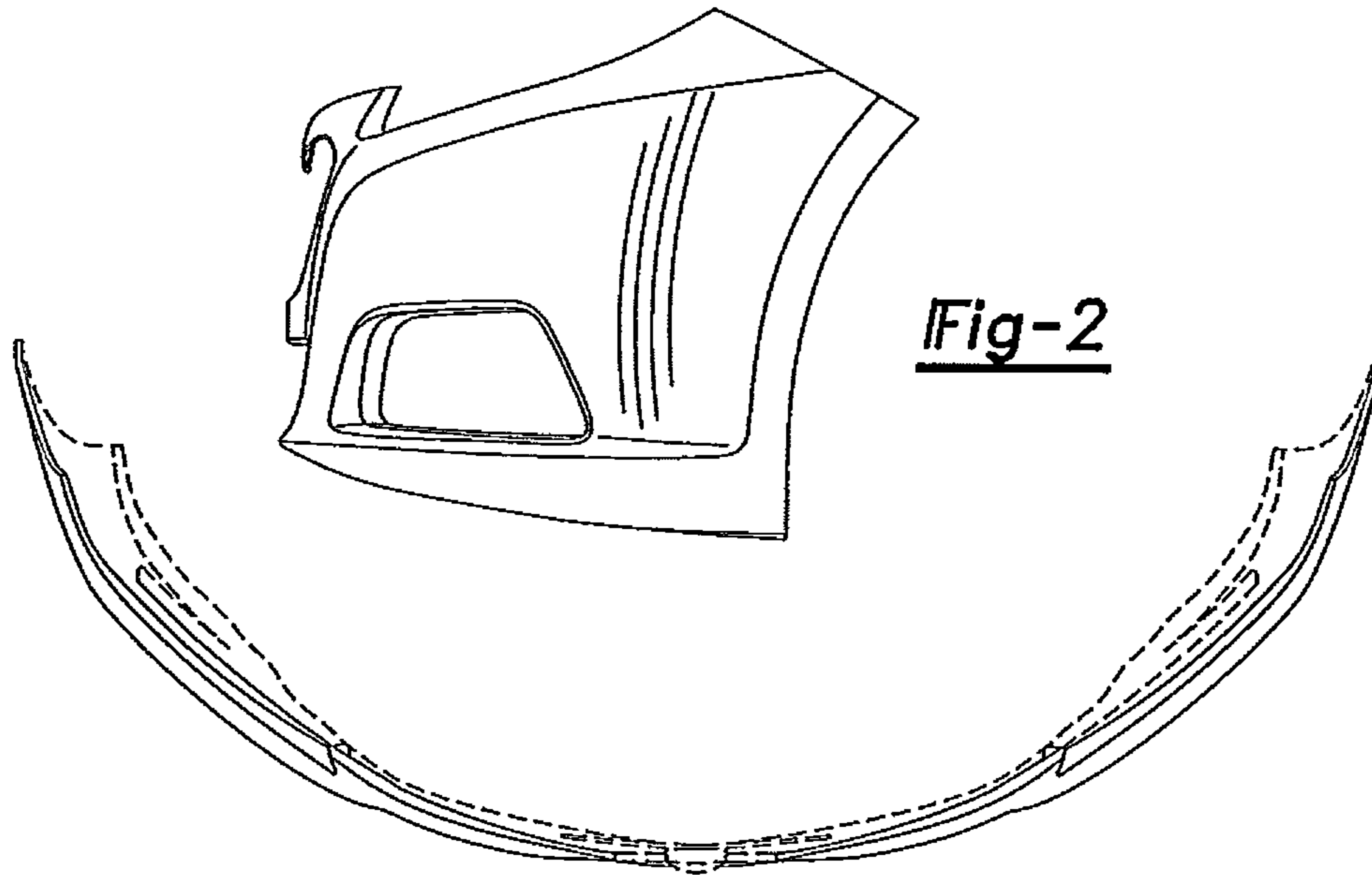


Fig-2

Fig-3

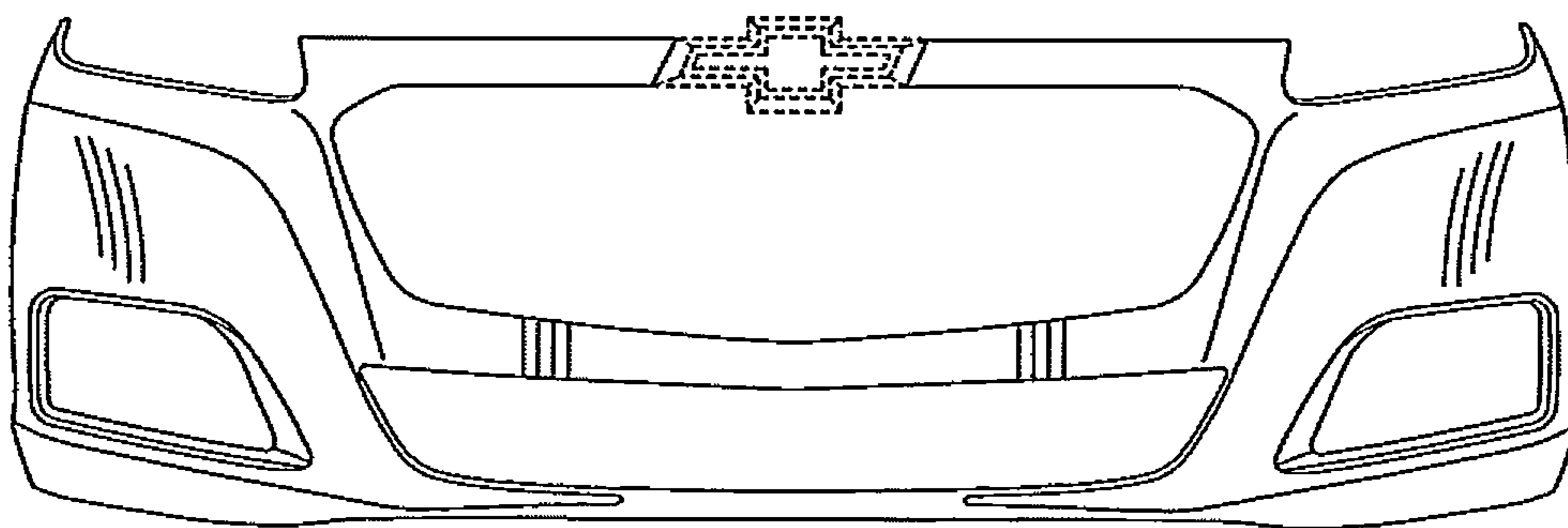


Fig-4