



US00D716196S

(12) **United States Design Patent**  
**Sperling et al.**

(10) **Patent No.:** **US D716,196 S**

(45) **Date of Patent:** **\*\* Oct. 28, 2014**

(54) **FRONT GRILL FOR AN AUTOMOBILE**

(56) **References Cited**

(71) Applicants: **Matthew Niven Sperling**, Huntington Beach, CA (US); **Chung Lee, Ann**, Arbor, MI (US)

U.S. PATENT DOCUMENTS

D506,420 S \* 6/2005 Wu ..... D12/163  
D519,890 S \* 5/2006 Sakae ..... D12/163  
D637,531 S \* 5/2011 Miyazawa ..... D12/163  
D660,751 S \* 5/2012 Matei et al. .... D12/163

(72) Inventors: **Matthew Niven Sperling**, Huntington Beach, CA (US); **Chung Lee, Ann**, Arbor, MI (US)

OTHER PUBLICATIONS

Netcarshow.com; URL: <http://www.netcarshow.com>; Mfg.: Ford; Model: Ford F-150; available on at least Jun. 13, 2012.  
Netcarshow.com; URL: [http://www.netcarshow.com/dodge/2009-ram\\_1500/](http://www.netcarshow.com/dodge/2009-ram_1500/); Mfg.: Dodge; Model: Dodge Ram 1500 (2009); available on at least Jun. 13, 2012.

(73) Assignee: **Toyota Jidosha Kabushiki Kaisha**, Toyota-shi, Aichi-ken (JP)

\* cited by examiner

(\*\*) Term: **14 Years**

*Primary Examiner* — Melody Brown

(21) Appl. No.: **29/458,698**

(74) *Attorney, Agent, or Firm* — Finnegan, Henderson, Farabow, Garrett & Dunner, LLP

(22) Filed: **Jun. 21, 2013**

(57) **CLAIM**

The ornamental design for a front grill for an automobile, as shown and described.

(30) **Foreign Application Priority Data**

Dec. 26, 2012 (JP) ..... 2012-031509

**DESCRIPTION**

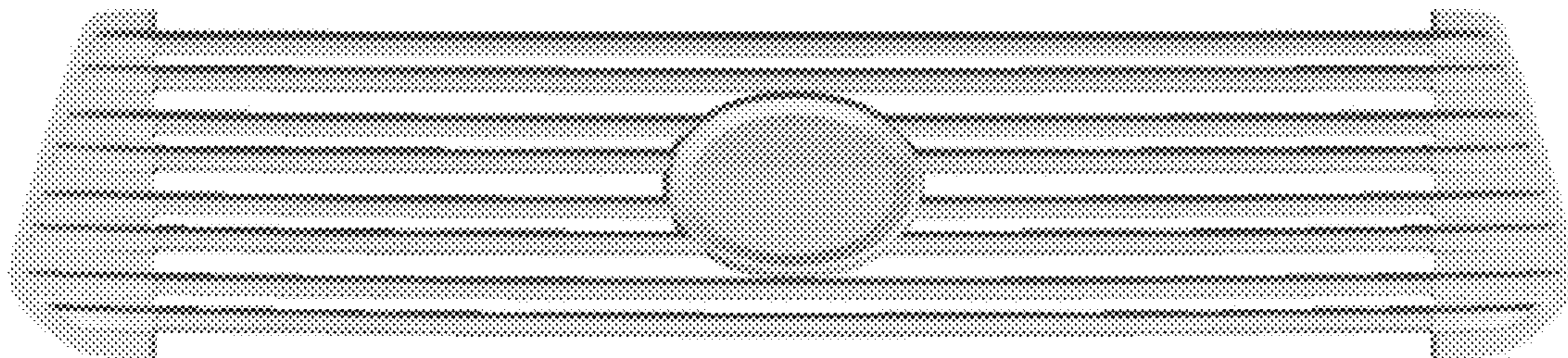
(51) **LOC (10) Cl.** ..... **12-16**

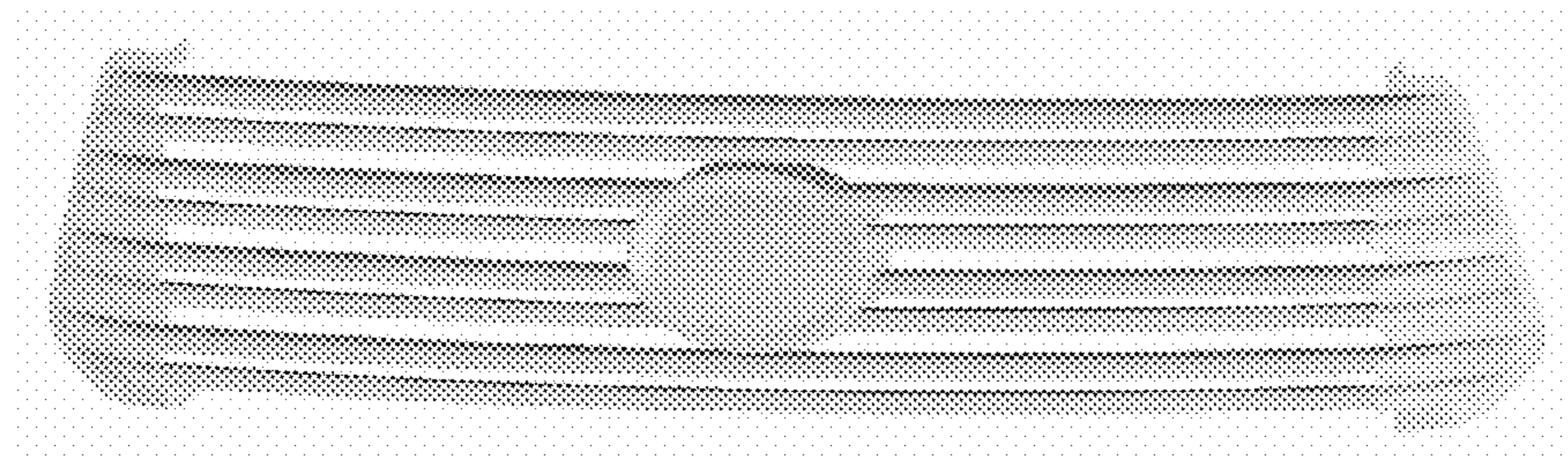
FIG. 1 is a front perspective view of a front grill for an automobile showing our new design;  
FIG. 2 is a front view thereof;  
FIG. 3 is a rear view thereof;  
FIG. 4 is a left side view thereof;  
FIG. 5 is a right side view thereof;  
FIG. 6 is a top plan view thereof; and,  
FIG. 7 is a bottom view thereof.

(52) **U.S. Cl.**  
USPC ..... **D12/163**

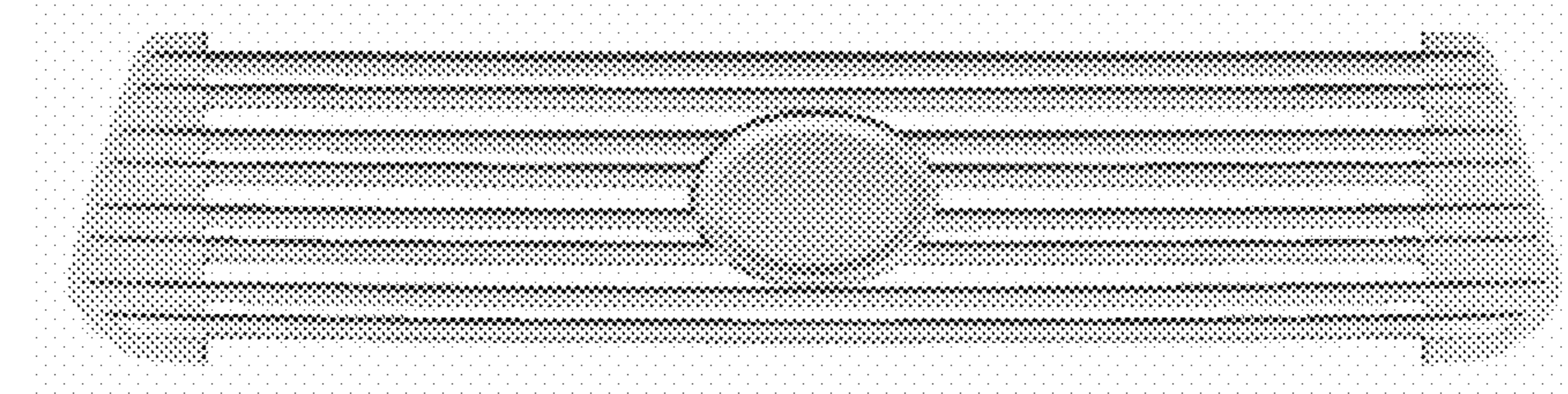
(58) **Field of Classification Search**  
USPC ..... D12/163, 196, 86, 90-92, 171, 169,  
D12/216; 180/68.1, 68.6; 293/193.11  
See application file for complete search history.

**1 Claim, 3 Drawing Sheets**

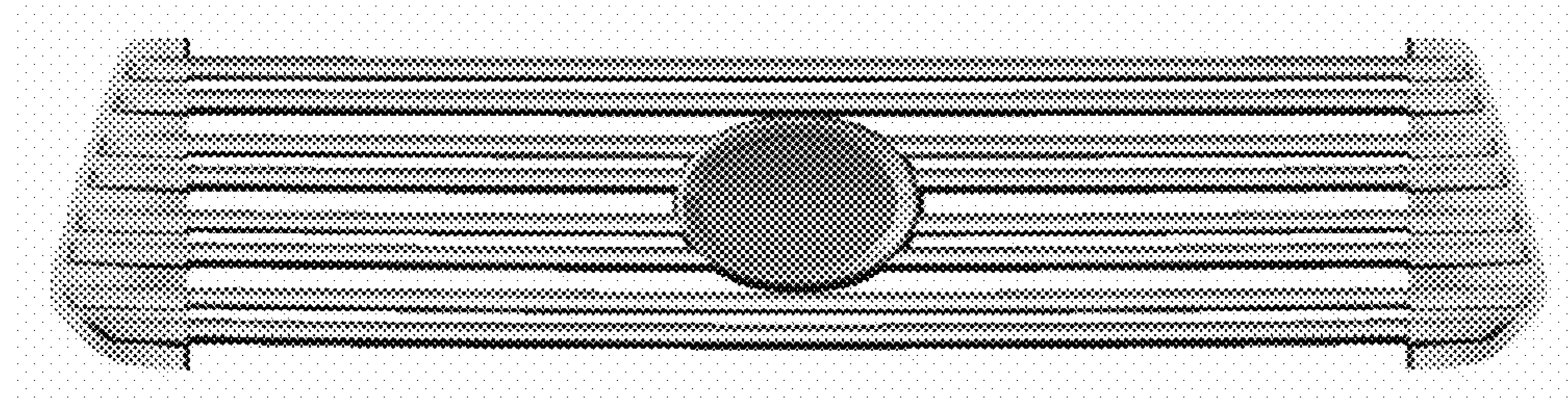




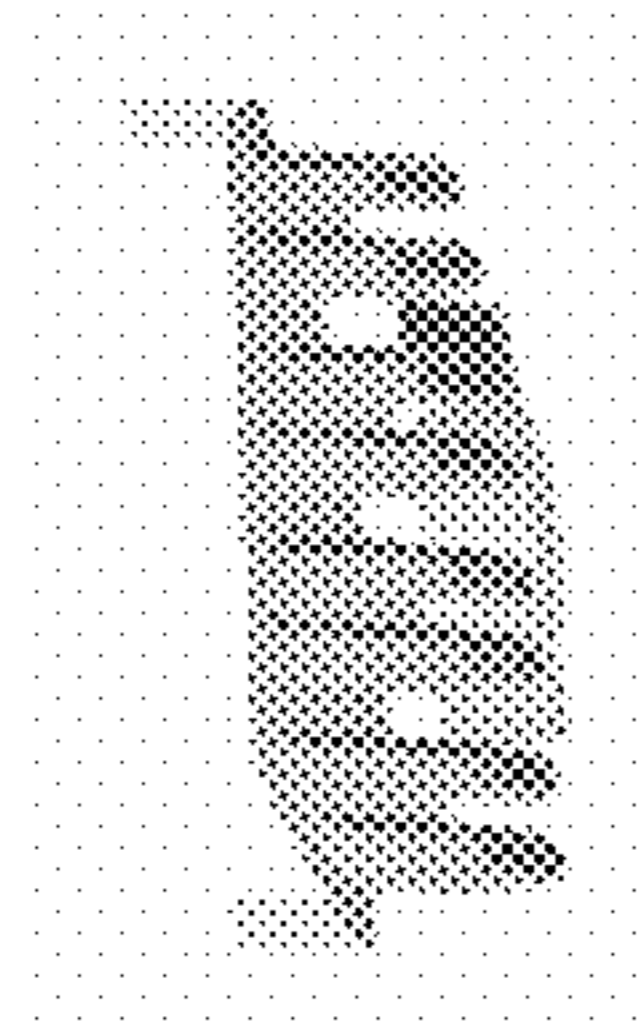
**FIG. 1**



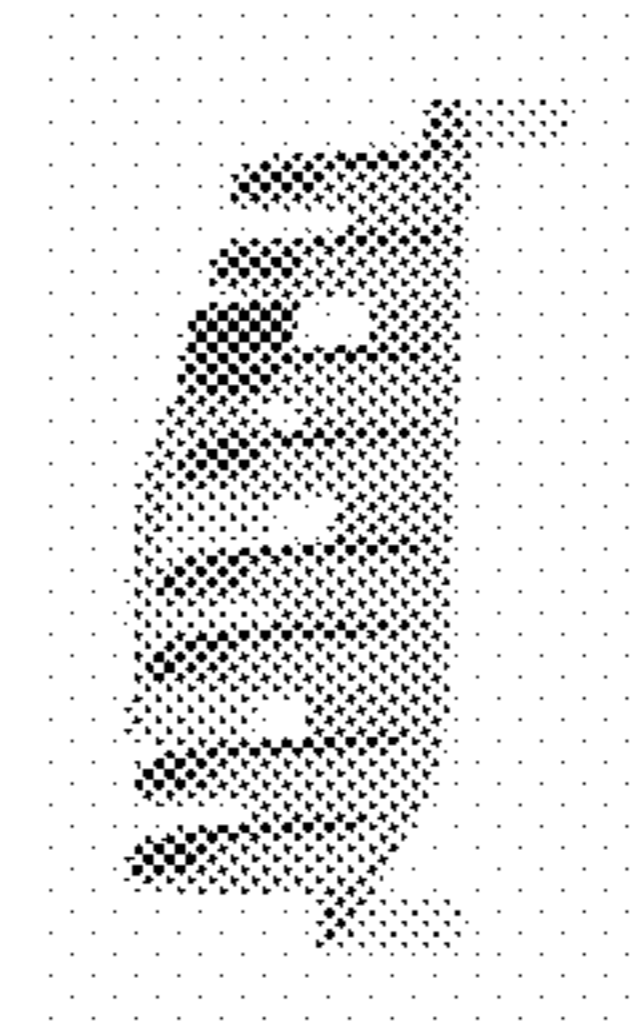
**FIG. 2**



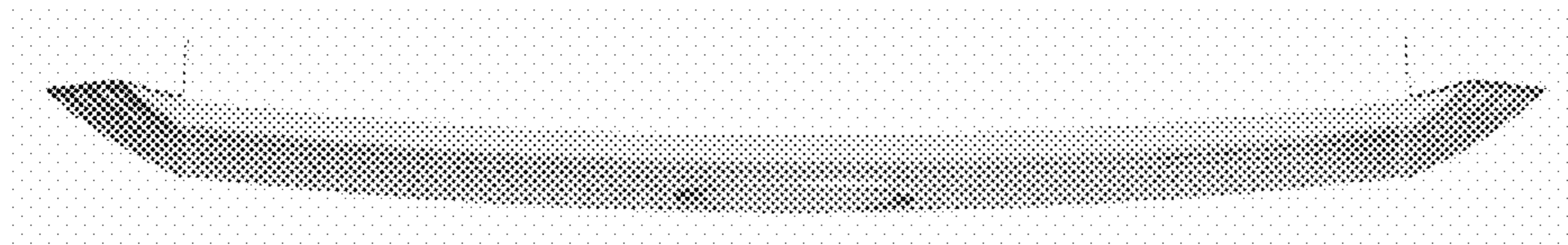
**FIG. 3**



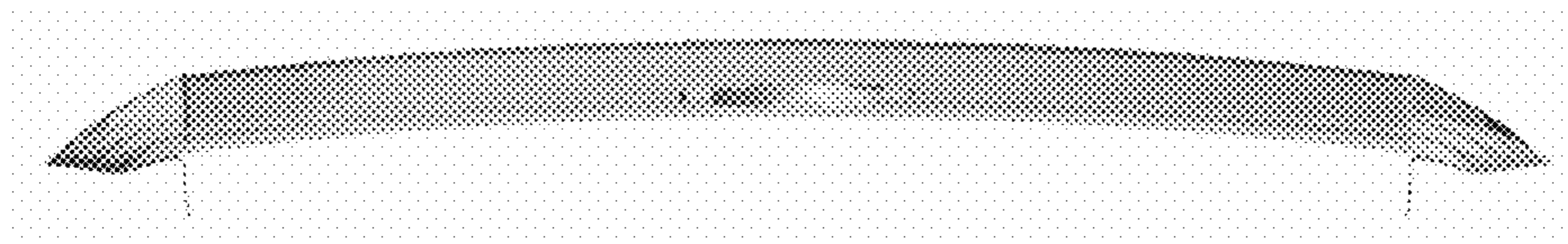
**FIG. 4**



**FIG. 5**



**FIG. 6**



**FIG. 7**