



US00D716195S

(12) **United States Design Patent**
Sperling et al.

(10) **Patent No.:** **US D716,195 S**

(45) **Date of Patent:** **** Oct. 28, 2014**

(54) **FRONT GRILL FOR AN AUTOMOBILE**

(71) Applicants: **Matthew Niven Sperling**, Huntington Beach, CA (US); **Chung Lee, Ann**, Arbor, MI (US)

(72) Inventors: **Matthew Niven Sperling**, Huntington Beach, CA (US); **Chung Lee, Ann**, Arbor, MI (US)

(73) Assignee: **Toyota Jidosha Kabushiki Kaisha**, Toyota-shi, Aichi-ken (JP)

(**) Term: **14 Years**

(21) Appl. No.: **29/458,695**

(22) Filed: **Jun. 21, 2013**

(30) **Foreign Application Priority Data**

Dec. 26, 2012 (JP) 2012-031510

(51) **LOC (10) Cl.** **12-16**

(52) **U.S. Cl.**
USPC **D12/163**

(58) **Field of Classification Search**
USPC D12/163, 196, 86, 90-92, 171, 169,
D12/216; 180/68.1, 68.6; 293/193.11
See application file for complete search history.

(56) **References Cited**

U.S. PATENT DOCUMENTS

D506,420 S * 6/2005 Wu D12/163
D519,890 S * 5/2006 Sakae D12/163
D637,531 S * 5/2011 Miyazawa D12/163
D660,751 S * 5/2012 Matei et al. D12/163

OTHER PUBLICATIONS

Netcarshow.com; URL: <http://www.netcarshow.com>; Mfg.: Ford; Model: Ford F-150; available on at least Jun. 13, 2012.
Netcarshow.com; URL: http://www.netcarshow.com/dodge/2009-ram_1500/; Mfg.: Dodge; Model: Dodge Ram 1500 (2009); available on at least Jun. 13, 2012.

* cited by examiner

Primary Examiner — Melody Brown

(74) *Attorney, Agent, or Firm* — Finnegan, Henderson, Farabow, Garrett & Dunner, LLP

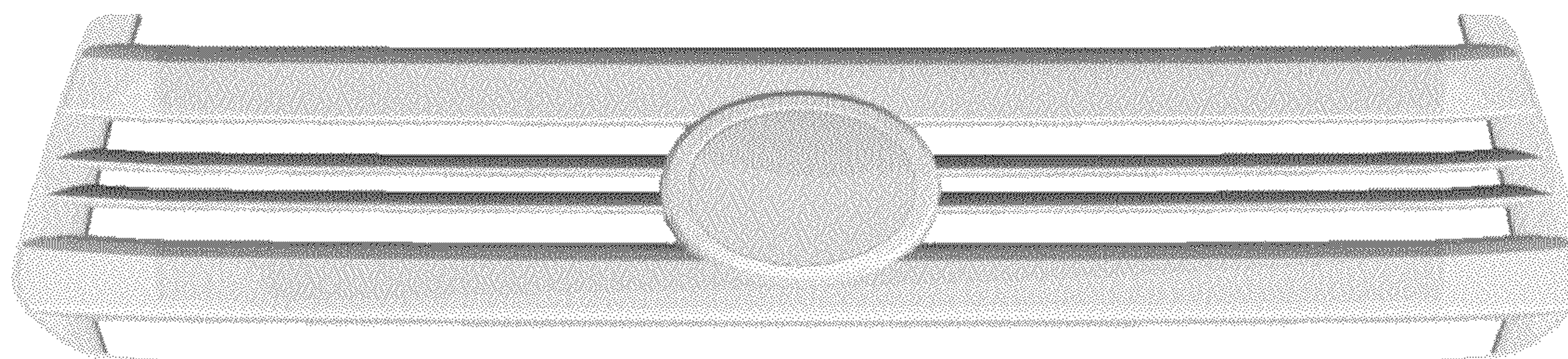
(57) **CLAIM**

The ornamental design for a front grill for an automobile, as shown and described.

DESCRIPTION

FIG. 1 is a front perspective view of a front grill for an automobile showing our new design;
FIG. 2 is a front view thereof;
FIG. 3 is a rear view thereof;
FIG. 4 is a left side view thereof;
FIG. 5 is a right side view thereof;
FIG. 6 is a top plan view thereof; and,
FIG. 7 is a bottom view thereof.

1 Claim, 3 Drawing Sheets



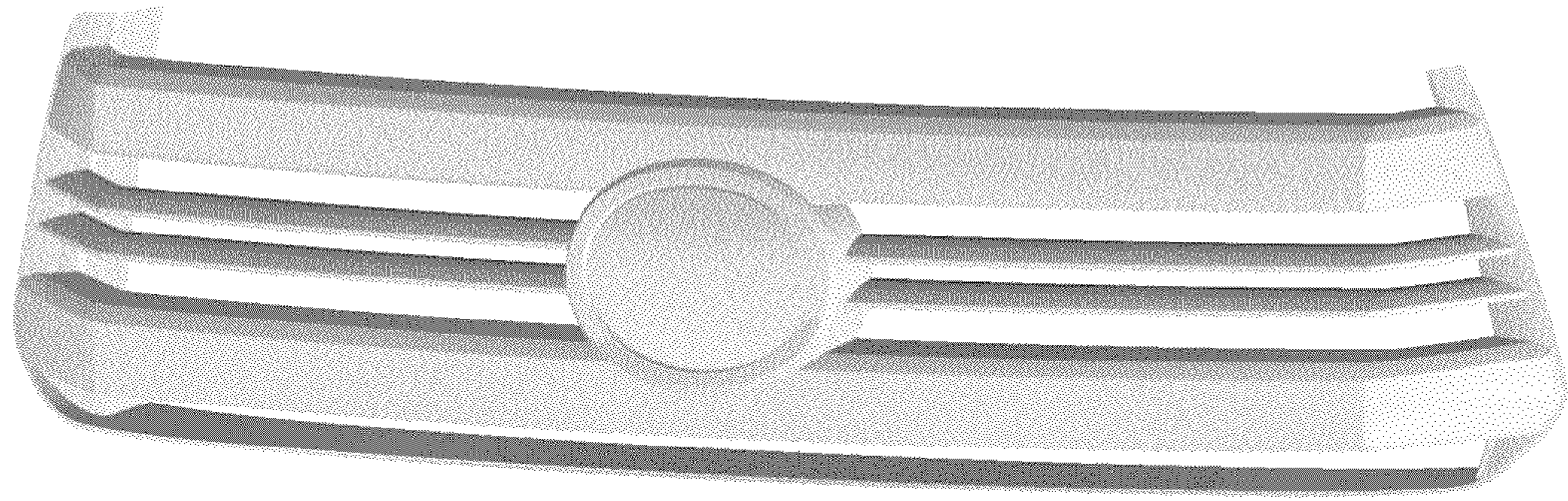


FIG. 1

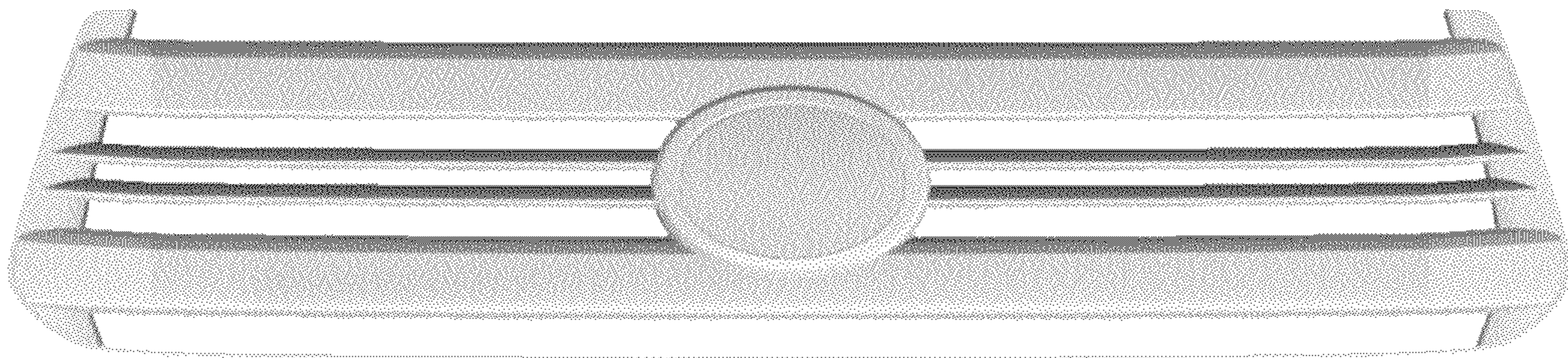


FIG. 2

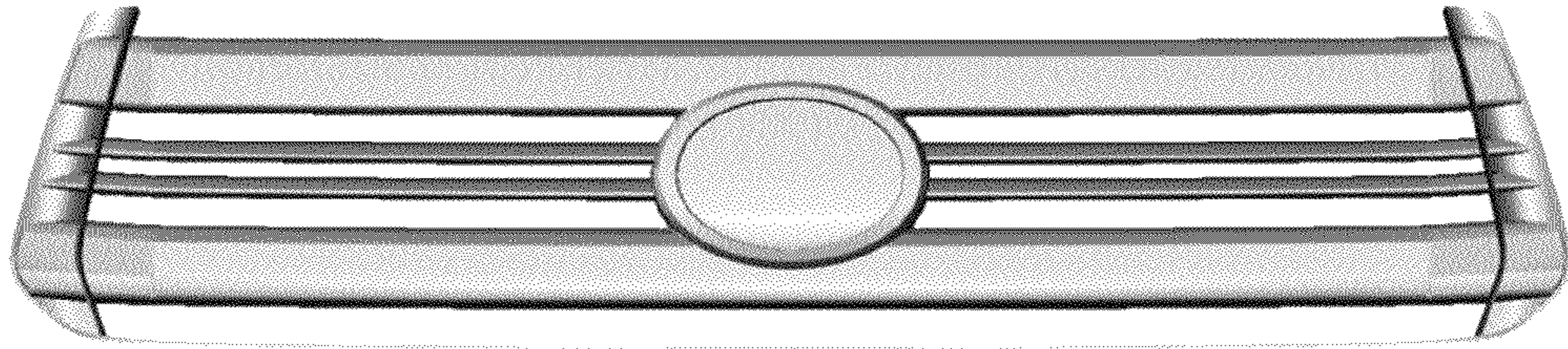


FIG. 3

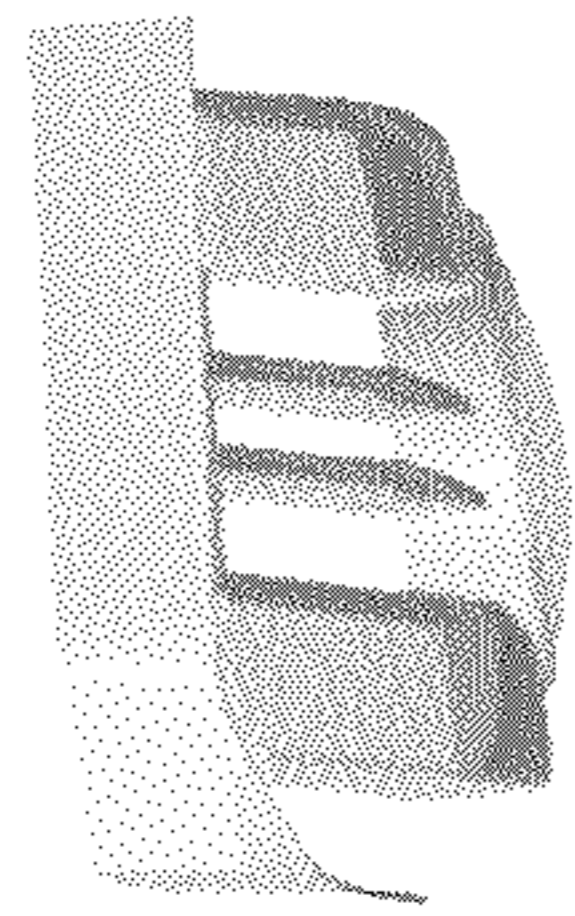


FIG. 4

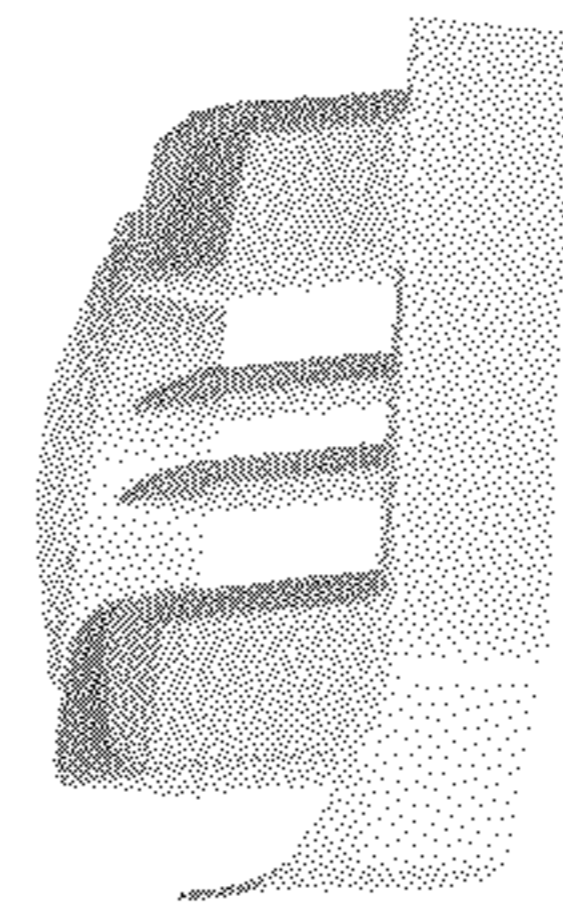


FIG. 5

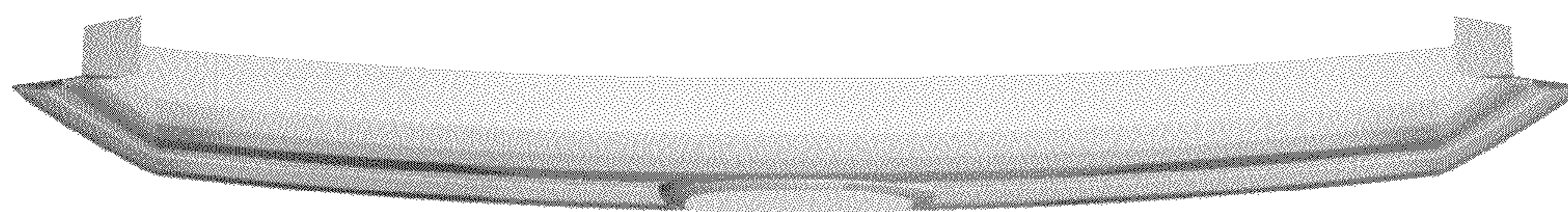


FIG. 6

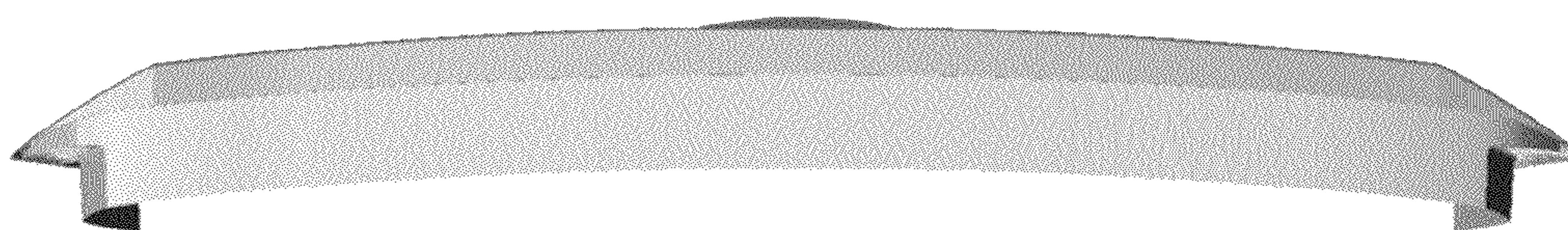


FIG. 7