



US00D716193S

(12) **United States Design Patent**
Hsu et al.

(10) **Patent No.:** **US D716,193 S**
(45) **Date of Patent:** **** Oct. 28, 2014**

(54) **LOWER CONTROL ARM**

267/136, 64.15, 217; 464/173; D12/118,
D12/400, 161, 159, 160; 293/134

(71) Applicants: **David Hsu**, Norco, CA (US); **Clinton Yee**, Corona, CA (US)

See application file for complete search history.

(72) Inventors: **David Hsu**, Norco, CA (US); **Clinton Yee**, Corona, CA (US)

(56) **References Cited**

(73) Assignee: **Group-A Autosports, Inc.**, Norco, CA (US)

U.S. PATENT DOCUMENTS

(**) Term: **14 Years**

D58,959 S *	9/1921	Weldland	D12/159
6,446,991 B1 *	9/2002	Klais	280/86.75
D475,001 S *	5/2003	Roll	D12/159
D496,887 S *	10/2004	Carlson	D12/159
D543,492 S *	5/2007	Lyew	D12/159
D687,745 S *	8/2013	Pelini	D12/159

(21) Appl. No.: **29/462,247**

* cited by examiner

(22) Filed: **Jul. 31, 2013**

Primary Examiner — Michael A Pratt

(51) **LOC (10) Cl.** **12-16**

(74) *Attorney, Agent, or Firm* — Steven N. Fox, Esq.

(52) **U.S. Cl.**

(57) **CLAIM**

USPC **D12/159**

The ornamental design for a lower control arm, as shown and described.

(58) **Field of Classification Search**

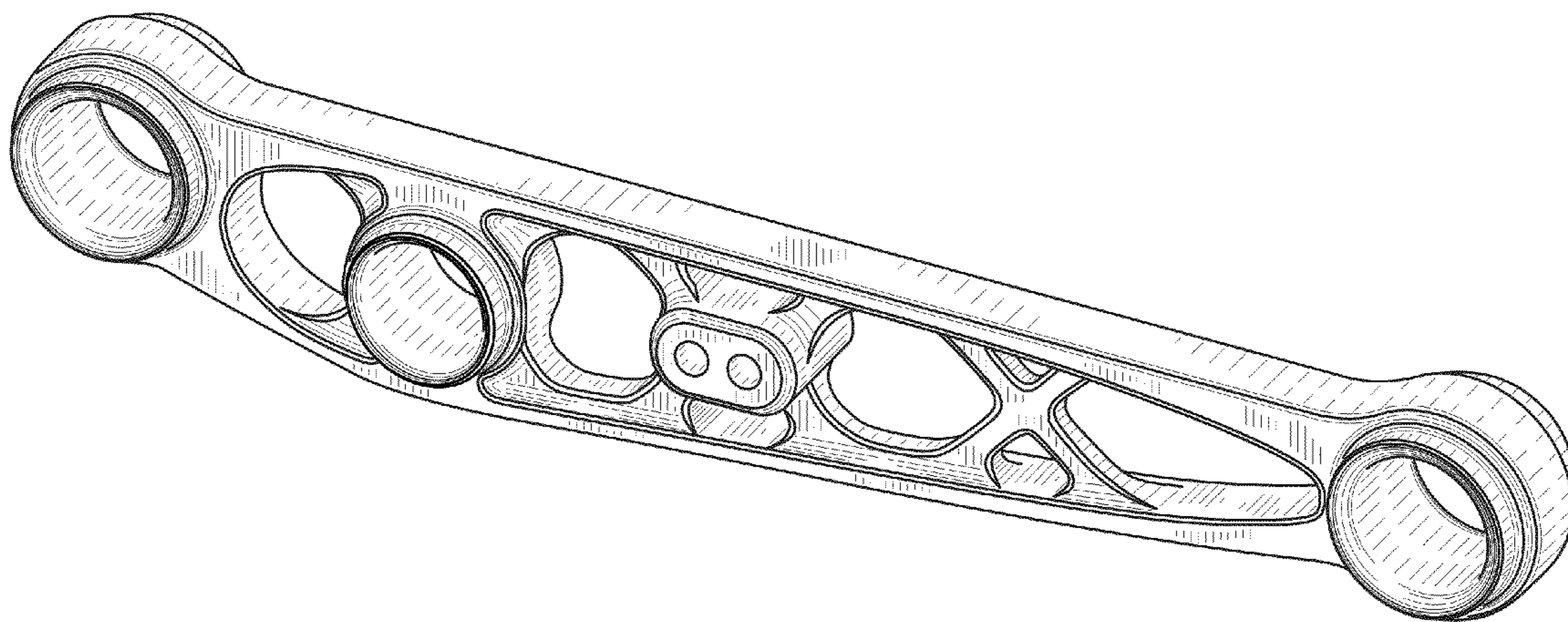
DESCRIPTION

CPC F16F 1/02; F16F 1/36; F16F 7/003;
F16F 7/01; F16F 7/02; F16F 7/08; F16F 7/10;
F16F 7/12; F16F 7/14; B62D 1/02; B62D
1/24; B62D 21/02; B62D 21/06; B62D 21/07;
B62D 21/08; B62D 21/09; B62D 21/10;
B62D 21/11; B62D 21/12; B62D 21/14;
B62D 21/15; B62D 21/16; B62D 21/17;
B62D 21/18; B62D 27/02; B62D 27/04;
B62D 27/06

FIG. 1 is a perspective view of a lower control arm according to the present invention;
FIG. 2 is a front view thereof, the rear view being a mirror image thereof;
FIG. 3 is a top view thereof;
FIG. 4 is a bottom view thereof;
FIG. 5 is a left side view thereof; and,
FIG. 6 is a right side view thereof.

USPC 280/124.155, 124.147, 124.145,
280/124.146, 86.752, 11.225; 188/281,
188/298, 297, 315, 316, 274, 286; 267/195,

1 Claim, 2 Drawing Sheets



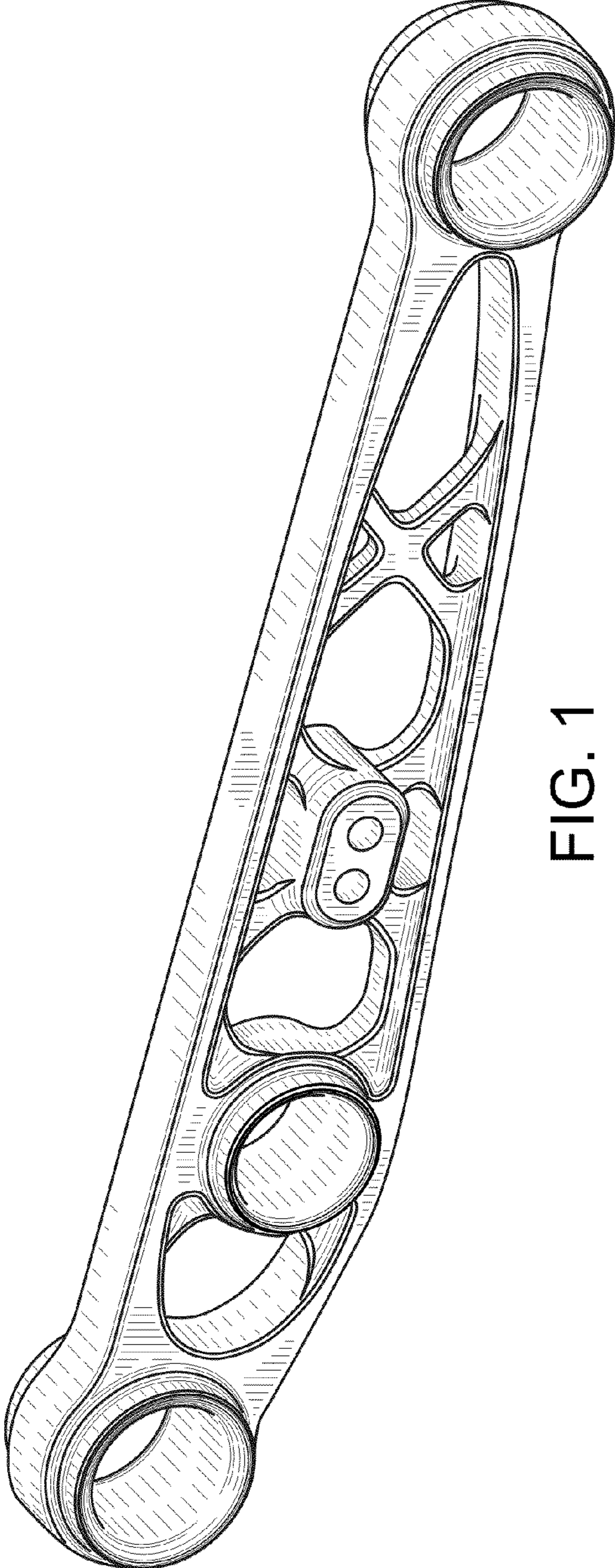


FIG. 1

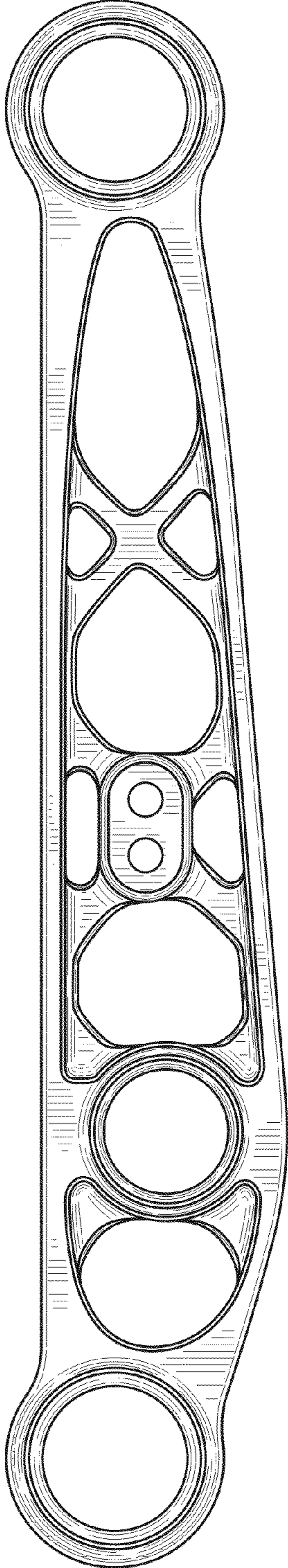


FIG. 2

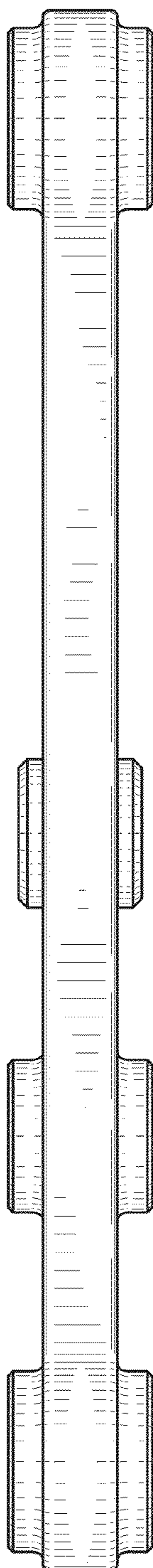


FIG. 3

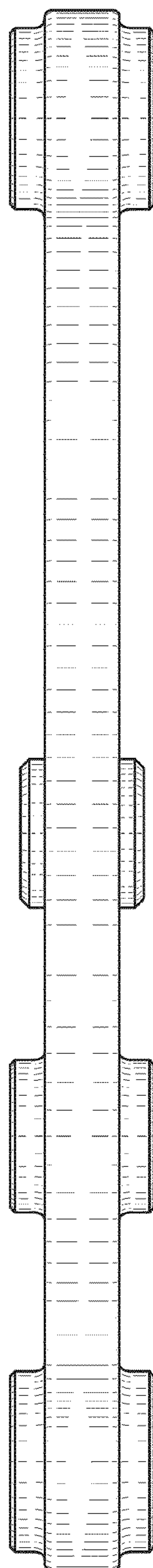


FIG. 4

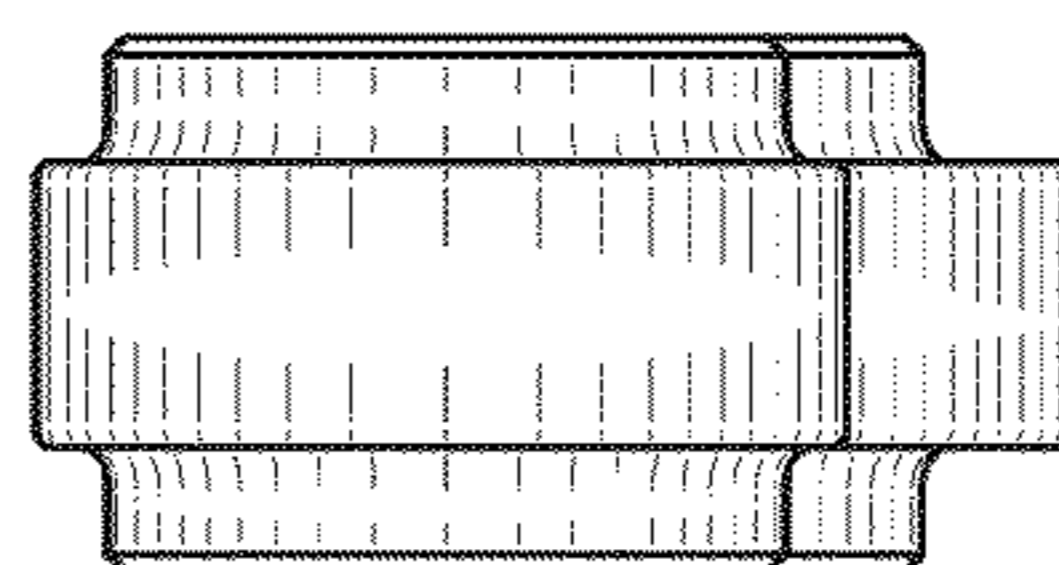


FIG. 6

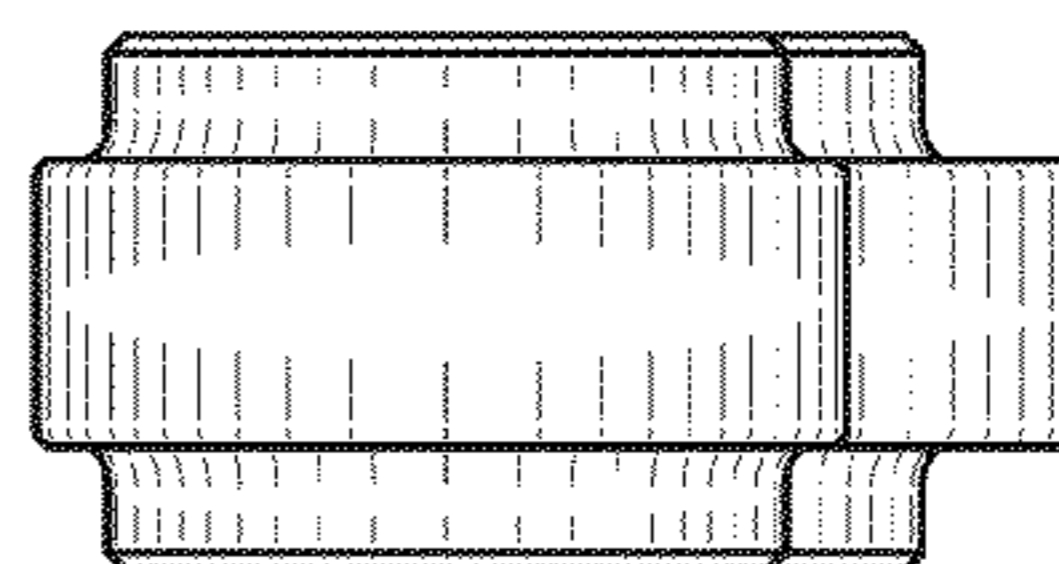


FIG. 5