



US00D716192S

(12) **United States Design Patent**  
**Mondotte**

(10) **Patent No.:** **US D716,192 S**  
(45) **Date of Patent:** **\*\* Oct. 28, 2014**

(54) **COMBINED WHEELCHAIR COVER WITH A POUCH, URINARY POUCH, ARM PADS, AND BACKPACK**

(71) Applicant: **Wheelchair Solutions LLC**, Scottsdale, AZ (US)

(72) Inventor: **Kathy Mondotte**, Scottsdale, AZ (US)

(73) Assignee: **Wheelchair Solutions L.L.C.**, Scottsdale, AZ (US)

(\*\*) Term: **14 Years**

(21) Appl. No.: **29/455,151**

(22) Filed: **May 17, 2013**

(51) **LOC (10) Cl.** ..... **12-12**

(52) **U.S. Cl.**  
USPC ..... **D12/133**

(58) **Field of Classification Search**  
USPC ..... D12/128-133, 416; 280/62, 647-650, 280/29, 200, 47.38, 250.1, 259, 642, 658, 280/304.1; 128/99.1, 100.1; D3/303, 216; 297/219.1, 380, 180.1; 224/153; D6/601

See application file for complete search history.

(56) **References Cited**

**U.S. PATENT DOCUMENTS**

4,863,003	A	9/1989	Carter	
D306,520	S	3/1990	McCarthy	
4,912,788	A	4/1990	Lonardo	
D362,579	S	9/1995	Short	
5,927,575	A	7/1999	Gatling	
D430,079	S *	8/2000	Catron-Batts	D12/133
6,244,481	B1	6/2001	Brougher	
D451,436	S *	12/2001	Brown	D12/133
6,848,746	B2	2/2005	Gentry	
6,866,337	B1	3/2005	Lash	
D558,100	S	12/2007	Dancy	
D601,484	S	10/2009	Alfonso	

D621,136	S	8/2010	Williams	
D626,462	S	11/2010	Stopyra	
D637,433	S *	5/2011	Mould et al.	D6/601
8,020,931	B2 *	9/2011	Frady	297/219.1
8,123,290	B1 *	2/2012	Aiken et al.	297/180.1
8,297,695	B1 *	10/2012	Aiken et al.	297/180.1
D671,867	S	12/2012	Mondotte	
D685,988	S *	7/2013	Shepherd et al.	D3/216
D686,818	S *	7/2013	Shepherd et al.	D3/216
8,517,462	B2 *	8/2013	Birch	297/4
D694,675	S *	12/2013	Famularo	D12/133
2007/0069560	A1	3/2007	Ranney	

**OTHER PUBLICATIONS**

Notice of Allowance dated Aug. 1, 2012 in U.S. Appl. No. 29/386,821.

\* cited by examiner

*Primary Examiner* — Ian Simmons

*Assistant Examiner* — Charles Hanson

(74) *Attorney, Agent, or Firm* — Snell & Wilmer L.L.P.

(57) **CLAIM**

The ornamental design for a combined wheelchair cover with a pouch, urinary pouch, arm pads, and backpack, as shown and described.

**DESCRIPTION**

FIG. 1 is a perspective view of a combined wheelchair cover with a pouch, urinary pouch, arm pads, and backpack, showing the new design;

FIG. 2 is a front view thereof;

FIG. 3 is a rear view thereof;

FIG. 4 is a right side view thereof;

FIG. 5 is a left side view thereof;

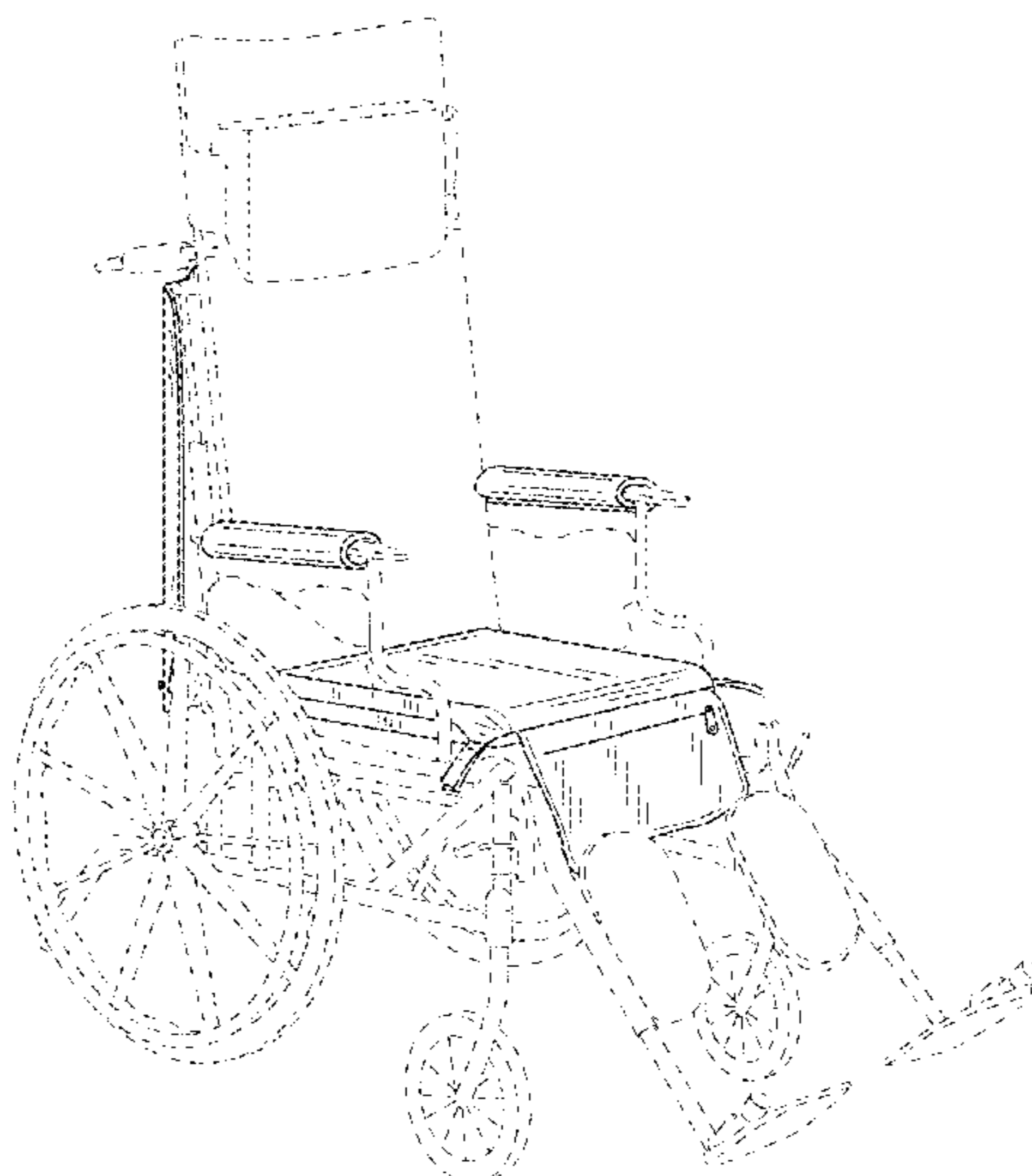
FIG. 6 is a top view thereof;

FIG. 7 is a bottom view thereof; and,

FIG. 8 is a perspective view thereof.

The broken line showing is included for the purpose of illustrating environment and forms no part of the claimed design.

**1 Claim, 8 Drawing Sheets**



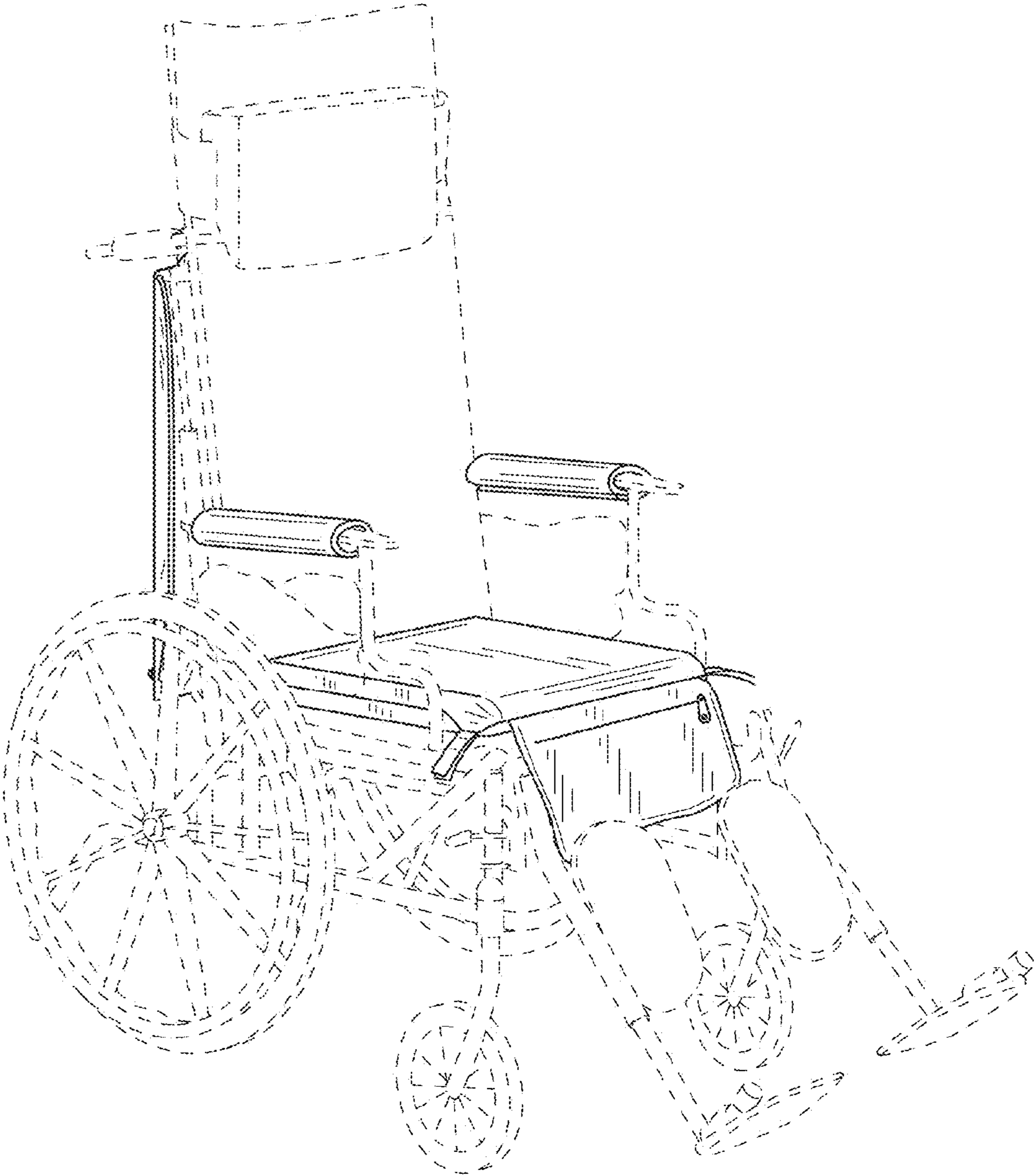


FIG. 1

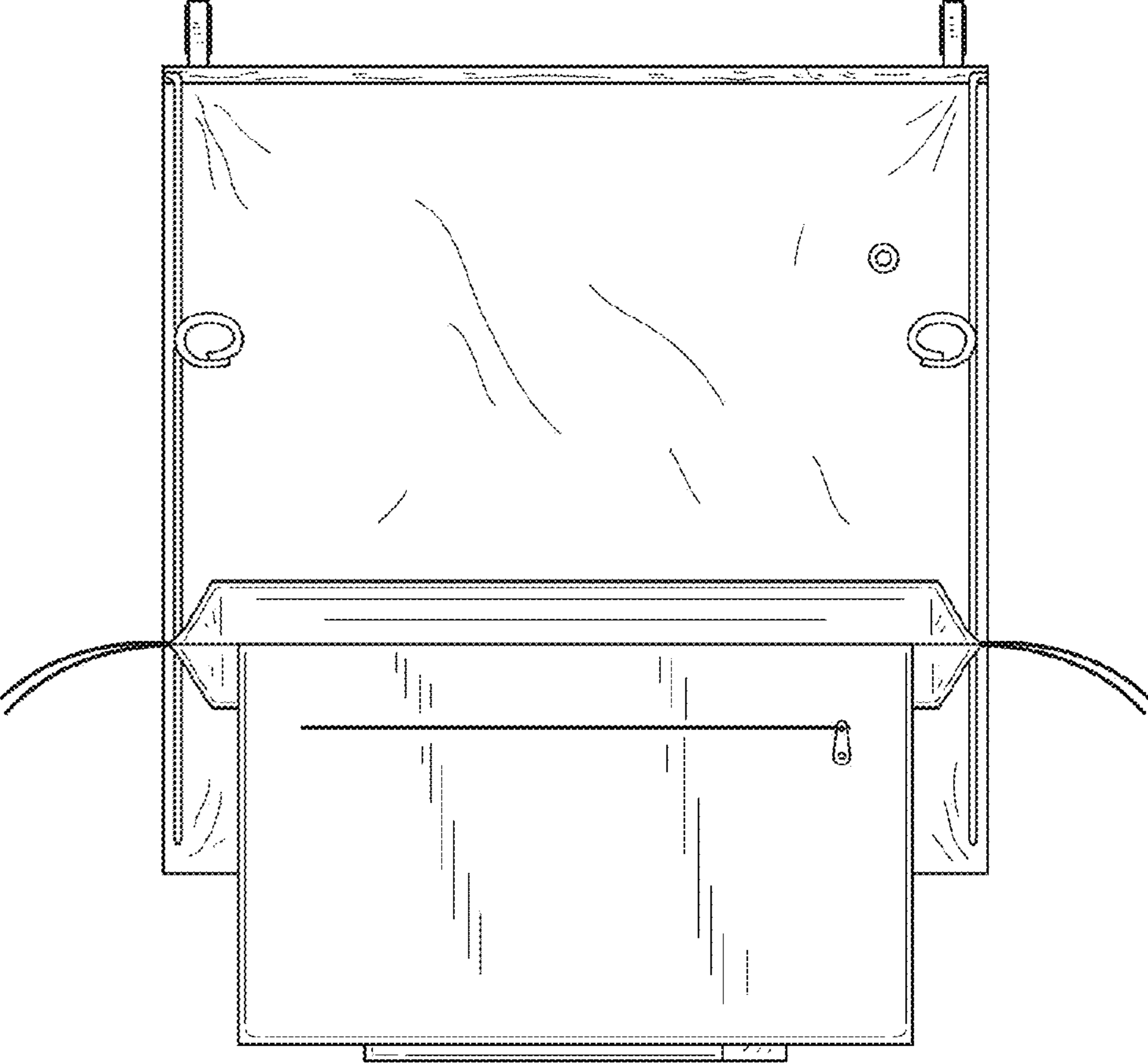


FIG.2

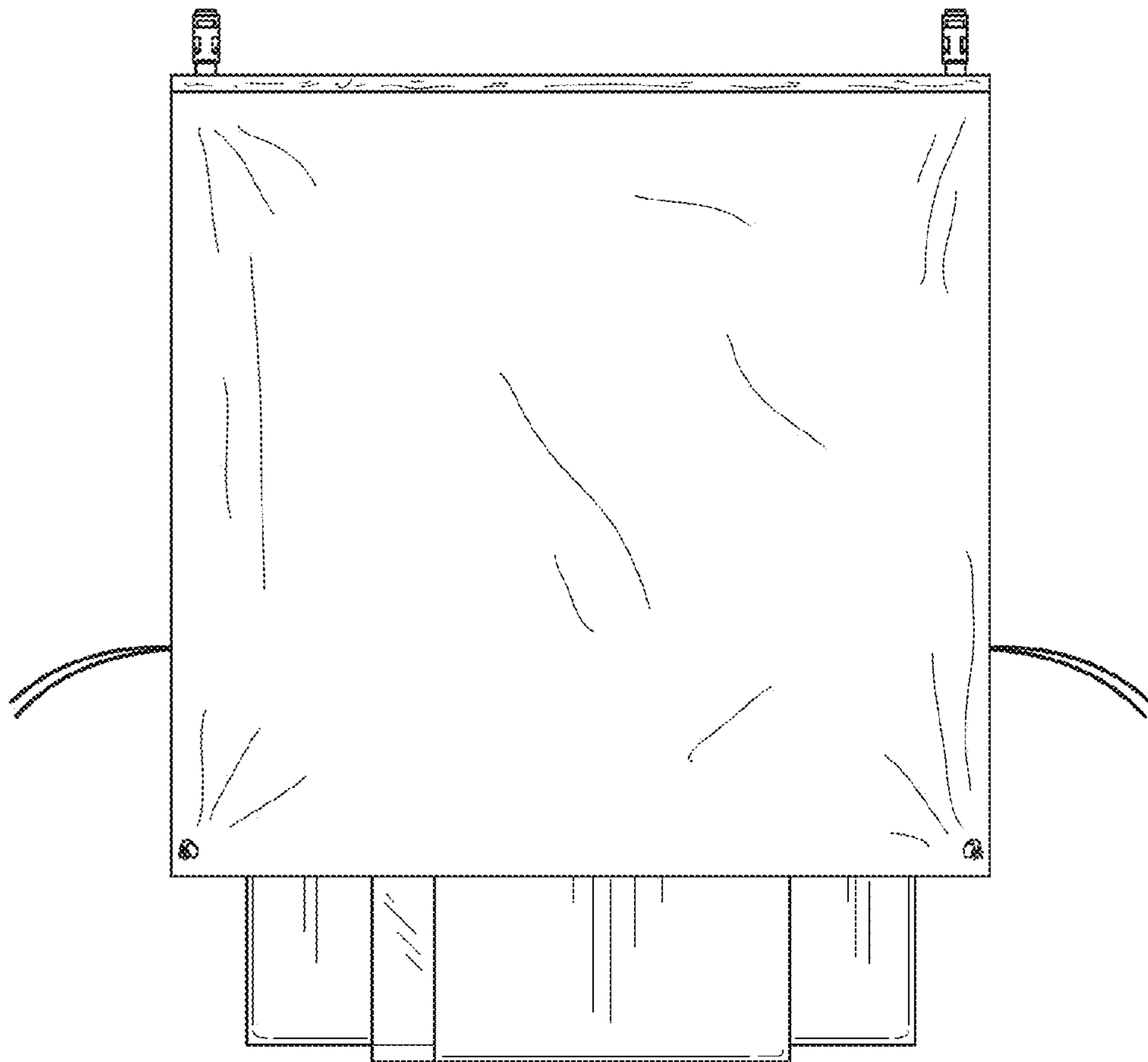


FIG.3

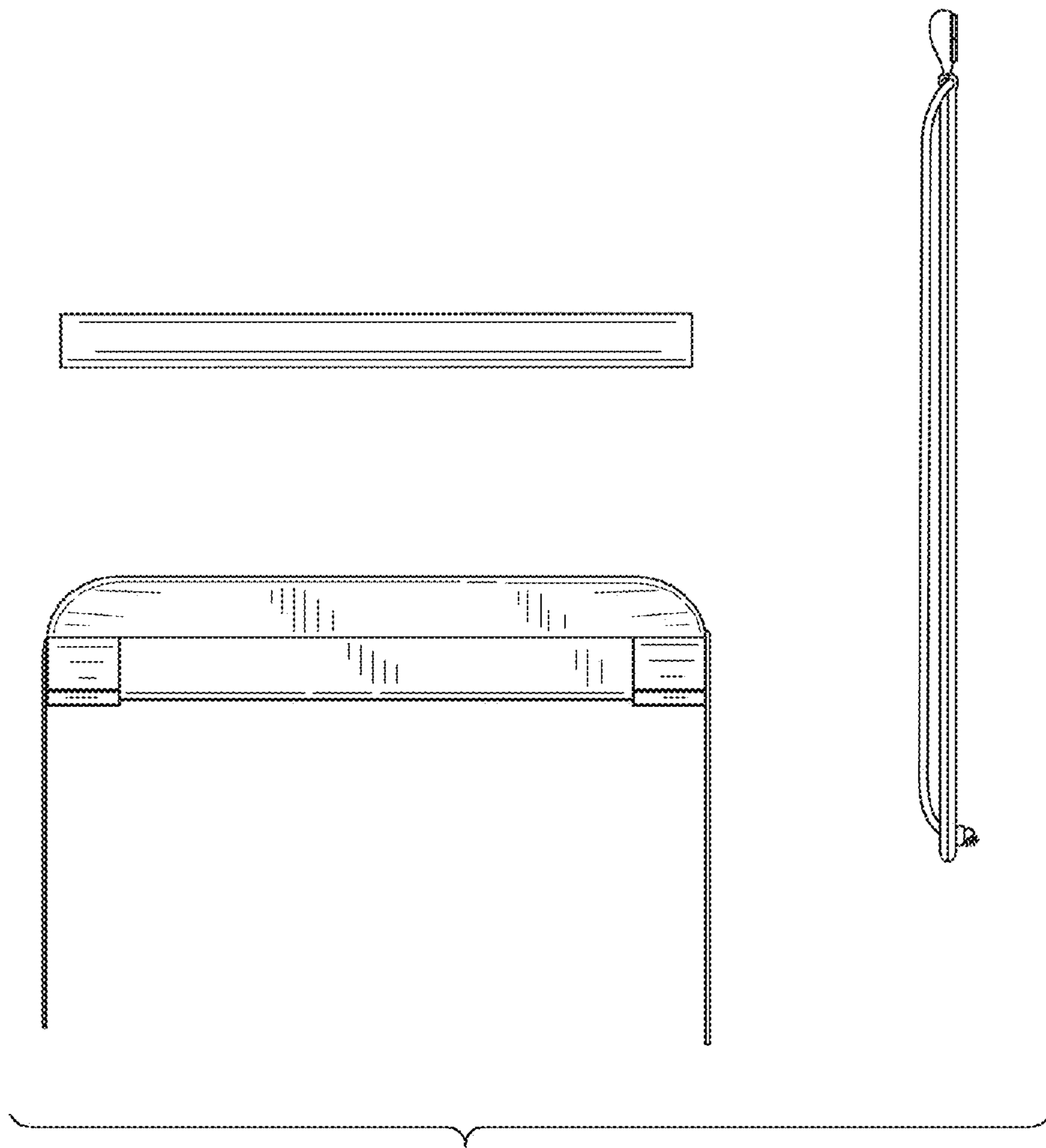


FIG.4

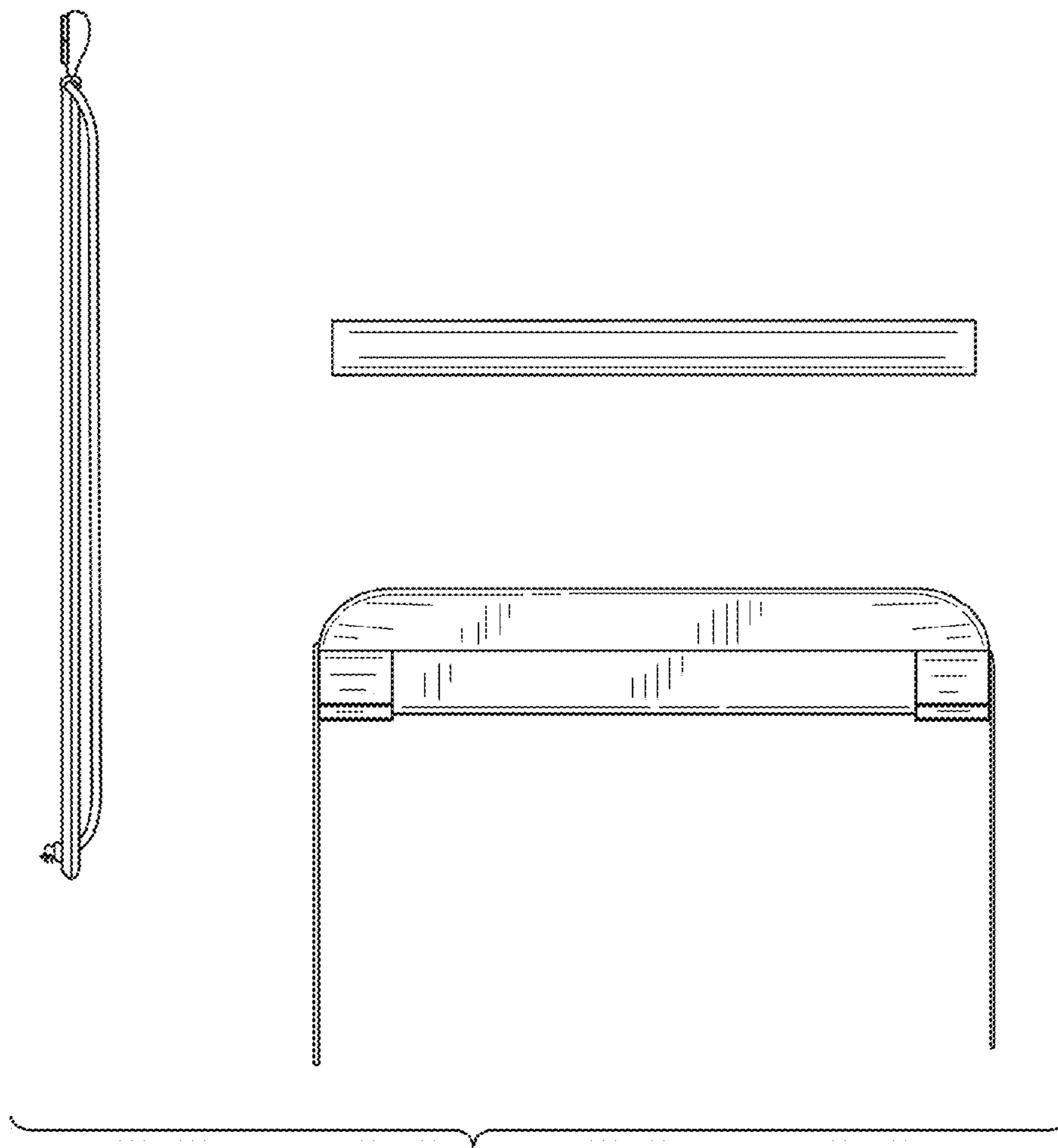


FIG. 5



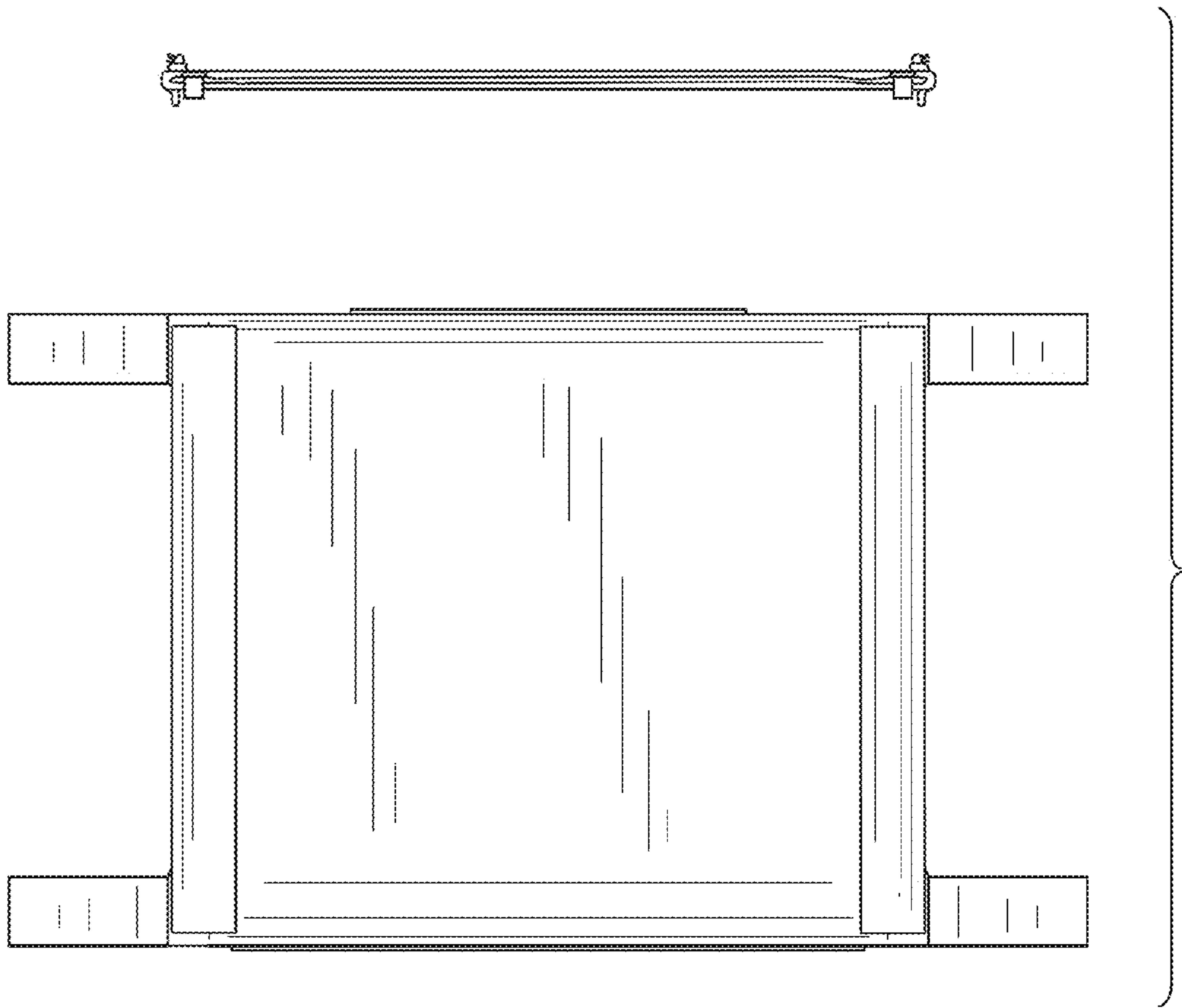


FIG.6

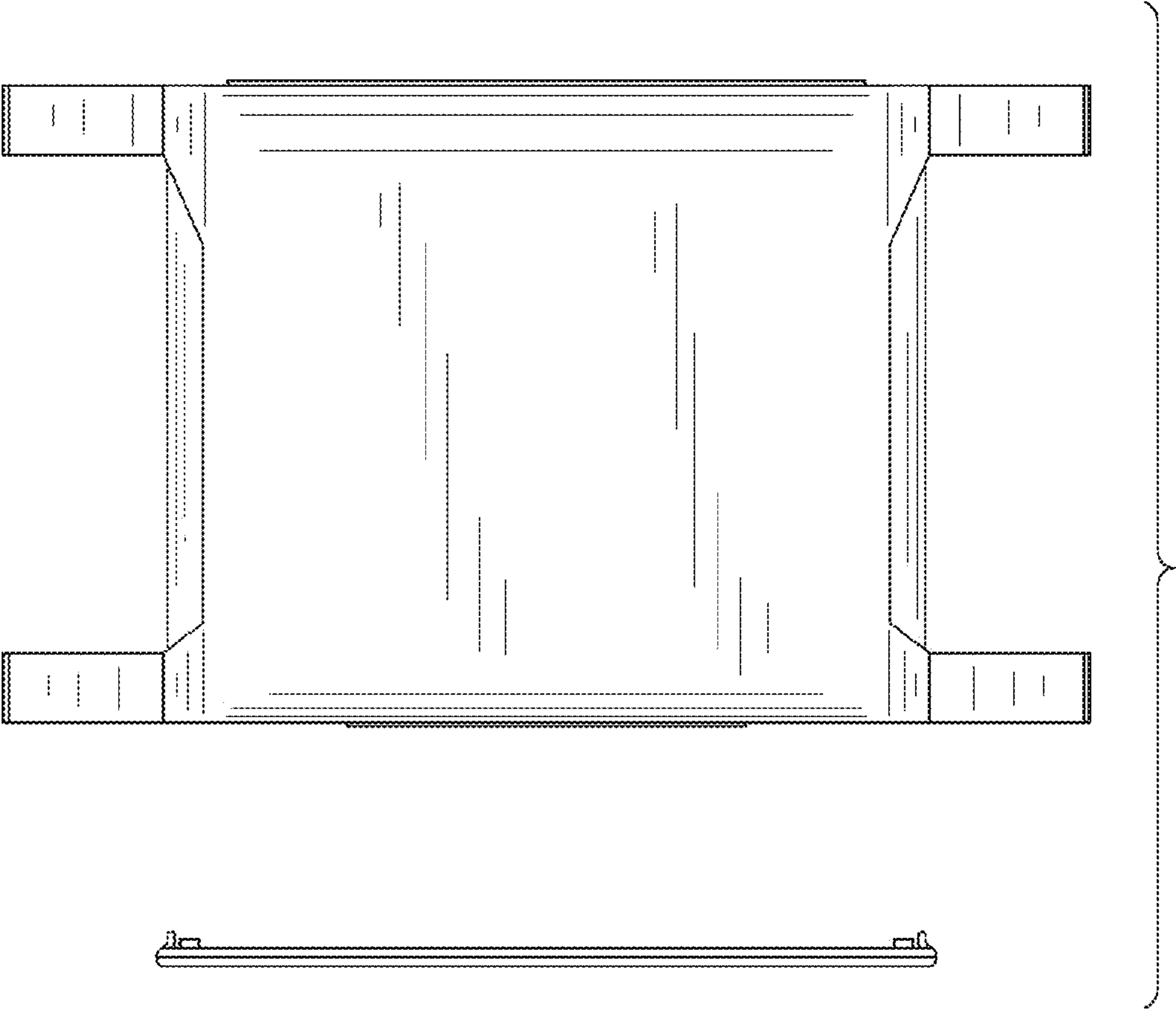


FIG.7



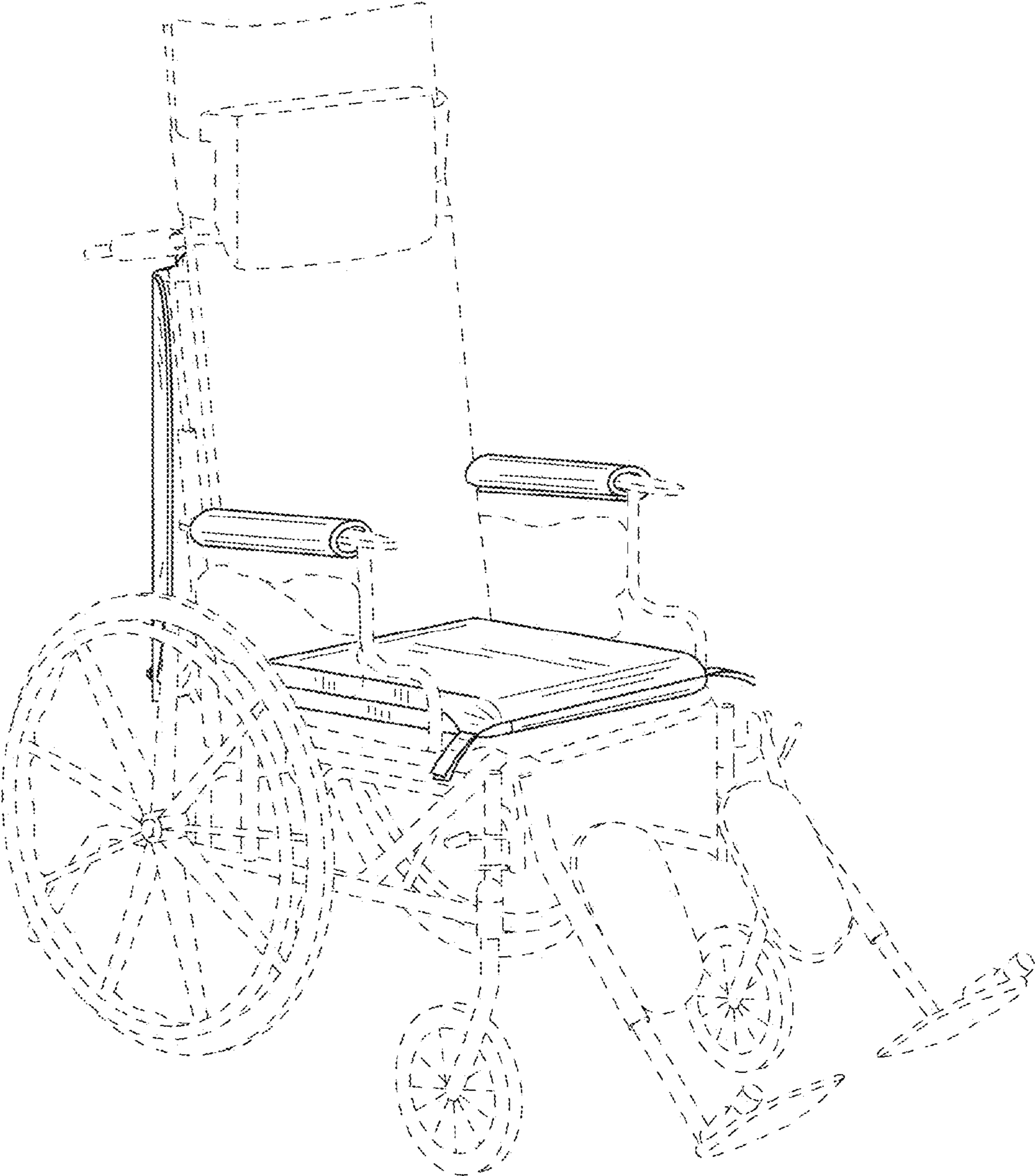


FIG.8