

US00D716191S

(12) **United States Design Patent**
Reiter

(10) **Patent No.:** **US D716,191 S**
(45) **Date of Patent:** **** Oct. 28, 2014**

(54) **CHAINRING**

- (71) Applicant: **Markus Reiter**, Schweinfurt (DE)
- (72) Inventor: **Markus Reiter**, Schweinfurt (DE)
- (73) Assignee: **SRAM, LLC**, Chicago, IL (US)
- (**) Term: **14 Years**
- (21) Appl. No.: **29/473,643**
- (22) Filed: **Nov. 25, 2013**

FOREIGN PATENT DOCUMENTS

- JP 2012036982 A * 2/2012 F16H 55/30
- JP 2013024307 A * 2/2013 F16H 55/30
- JP 2013079698 A * 5/2013 F16H 55/30

* cited by examiner

Primary Examiner — Philip S Hyder
Assistant Examiner — Darlington Ly

(74) *Attorney, Agent, or Firm* — Milan Milosevic; Lisa Serdyski; Steven Courtright

Related U.S. Application Data

- (63) Continuation of application No. 13/787,276, filed on Mar. 6, 2013, which is a continuation-in-part of application No. 13/311,735, filed on Dec. 6, 2011.
- (51) **LOC (10) Cl.** **12-11**
- (52) **U.S. Cl.**
USPC **D12/123**
- (58) **Field of Classification Search**
CPC F16H 7/06; F16H 55/30; F16H 55/303;
F16F 55/12; B62M 9/105
USPC D12/111, 122–127; 474/77, 80, 116,
474/118, 152, 155–158, 160–164, 202;
280/288.4, 304.3, 304.4; 74/594.2
See application file for complete search history.

(57) **CLAIM**

The ornamental design for a chainring, as shown and described.

DESCRIPTION

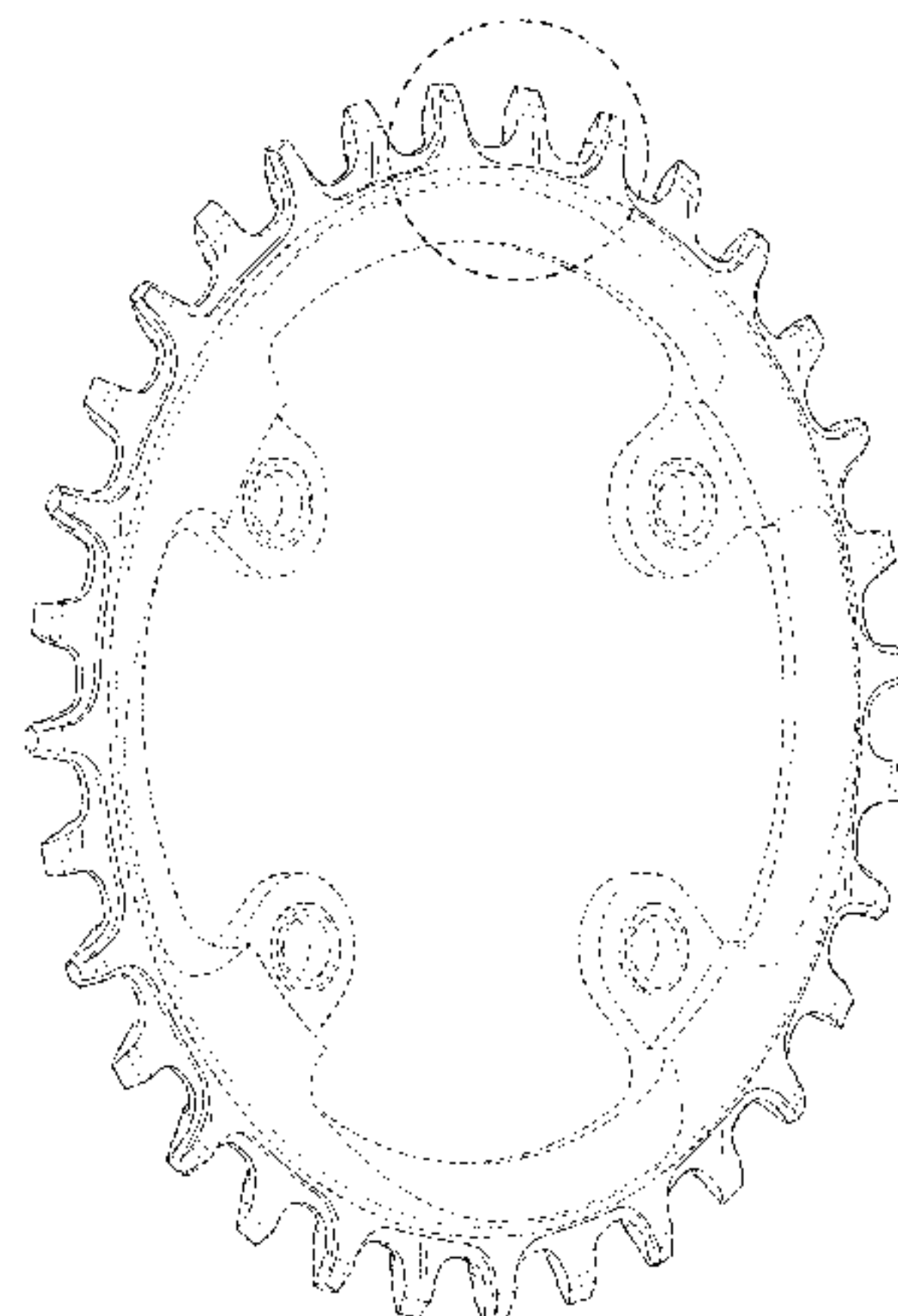
FIG. 1 is a right side perspective view of a chainring showing the new design;
 FIG. 2 is a left side perspective view of the chainring;
 FIG. 3 is an enlarged right-side elevation view of the chainring portion encompassed by the broken line circle in FIG. 1;
 FIG. 4 is an enlarged left-side elevation view of the chainring portion encompassed by the broken line circle in FIG. 2;
 FIG. 5 is an enlarged rear view of one of the teeth of the chainring;
 FIG. 6 is an enlarged front view of the tooth in FIG. 6; and,
 FIG. 7 is a top plan view of a portion of the chainring, wherein the bottom plan view is a mirror image thereof.
 My design is a chainring characterized by a plurality of teeth formed about the periphery thereof. Shading and/or dashed lines are not features or part of the design, but are used to illustrate surface contours or environment in the drawings. The broken lines shown in the drawings illustrate environmental structure and portions of the chainring that forms no part of the claimed design.

(56) **References Cited**

U.S. PATENT DOCUMENTS

- D435,492 S * 12/2000 Shy D12/123
- D478,849 S * 8/2003 Griffin et al. D12/123
- D540,718 S * 4/2007 Wickliffe D12/123
- D599,255 S * 9/2009 Wickliffe et al. D12/123
- D599,716 S * 9/2009 Wickliffe et al. D12/123
- D599,717 S * 9/2009 Wickliffe et al. D12/123
- D599,718 S * 9/2009 Wickliffe et al. D12/123
- D599,719 S * 9/2009 Wickliffe et al. D12/123
- D607,784 S * 1/2010 Gisbert D12/123
- 7,686,721 B2 * 3/2010 Tabe et al. 474/152
- 2013/0072334 A1 * 3/2013 Braedt 474/156
- 2013/0139642 A1 * 6/2013 Reiter et al. 74/594.2
- 2013/0184110 A1 * 7/2013 Reiter 474/152

1 Claim, 4 Drawing Sheets



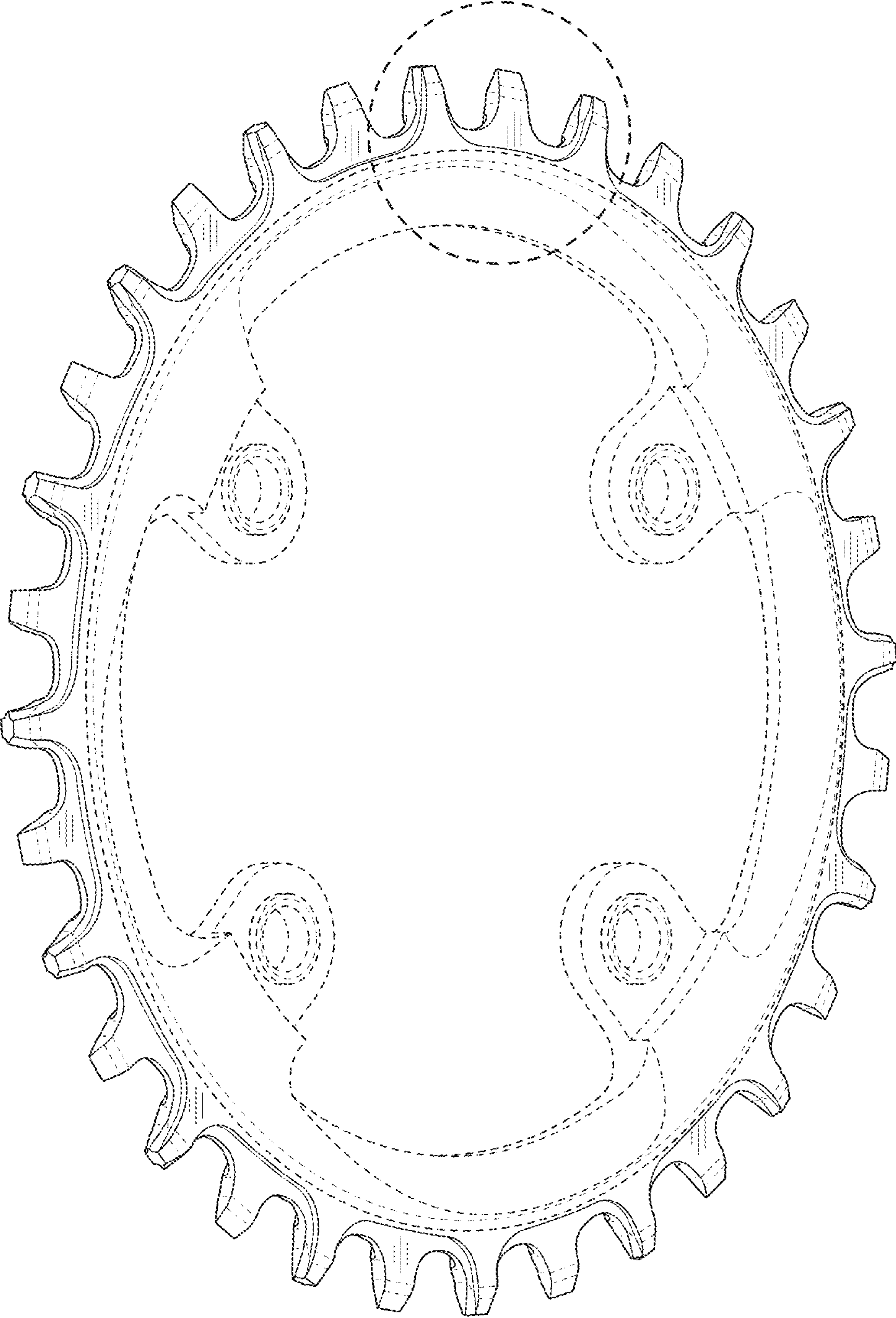


FIG. 1

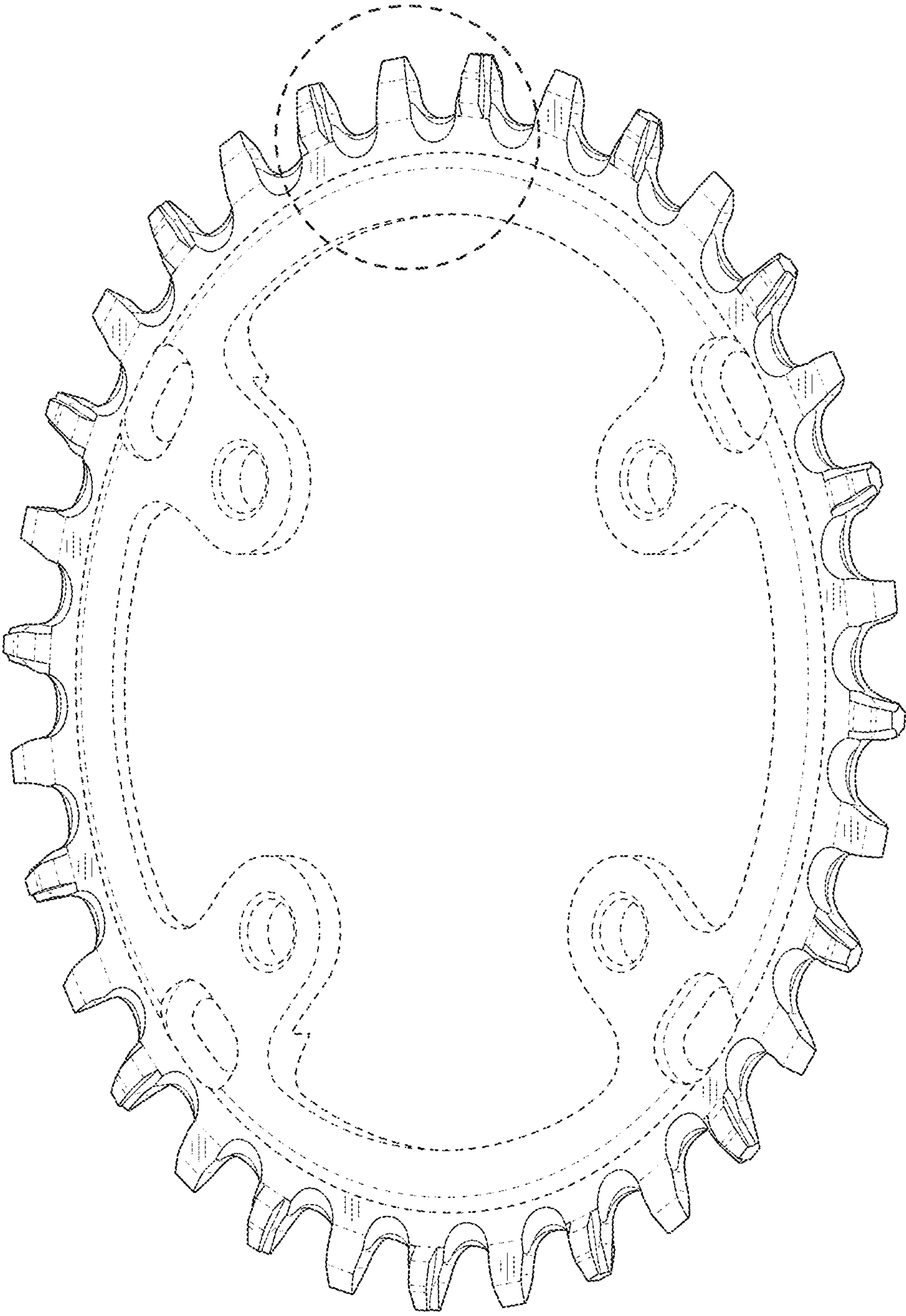


FIG. 2

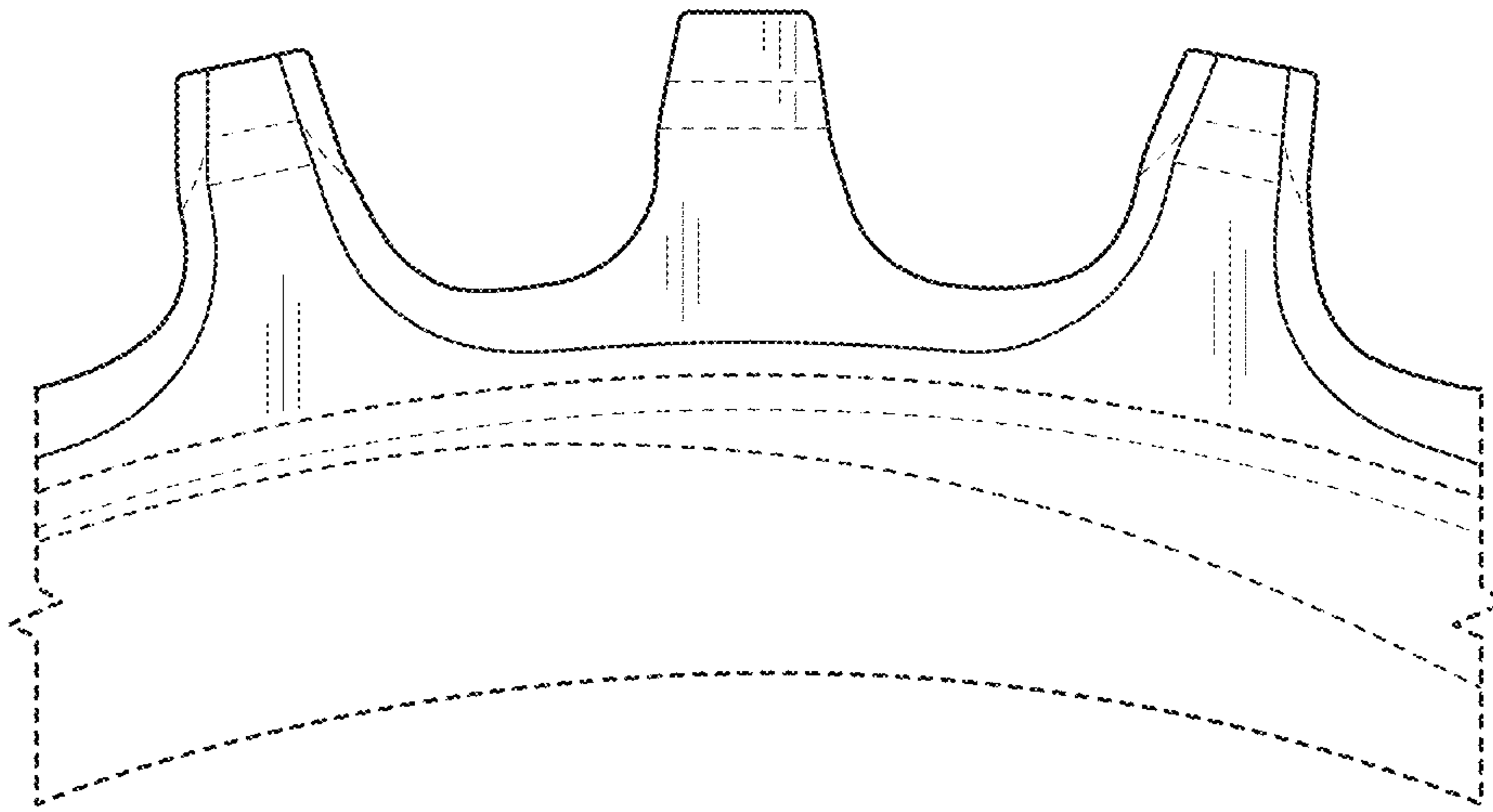


FIG. 3

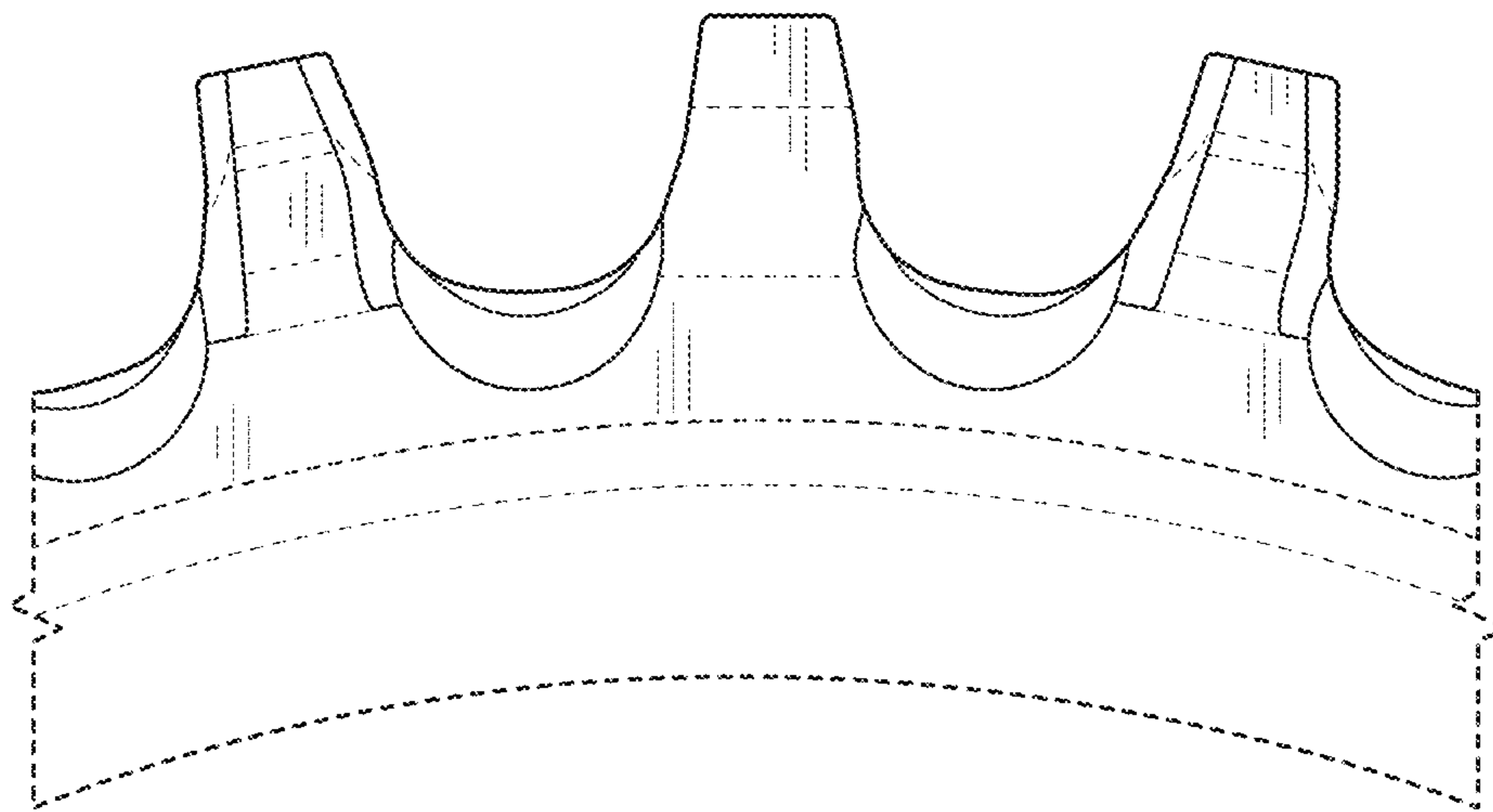


FIG. 4

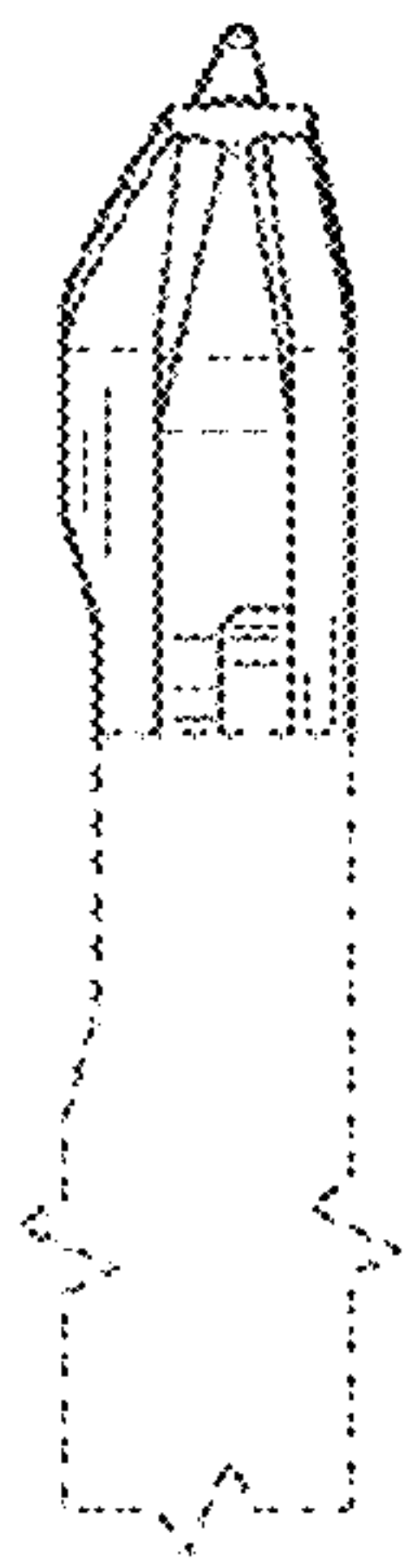


FIG. 5

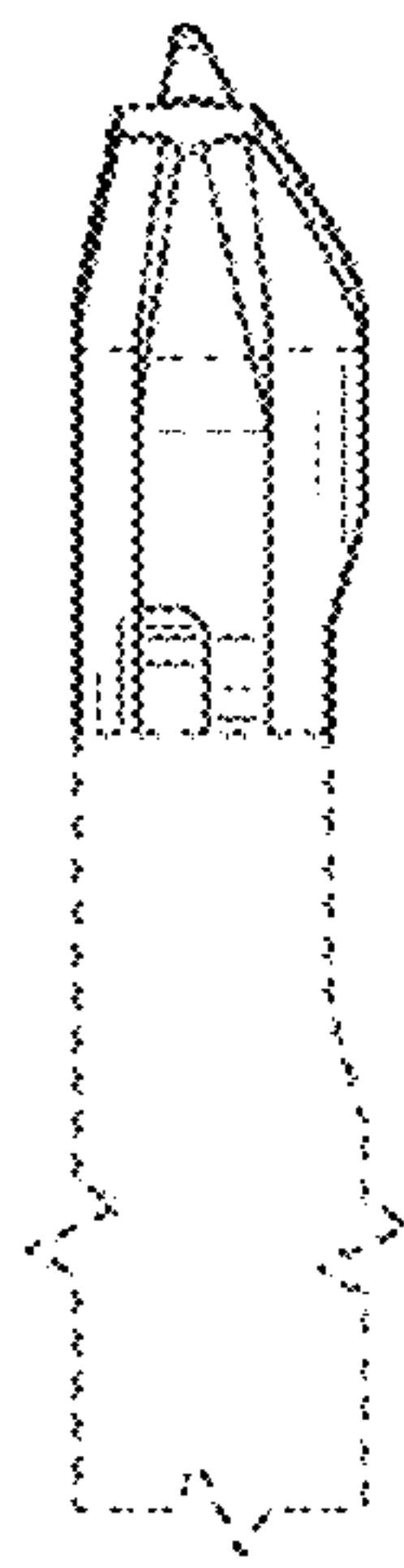


FIG. 6

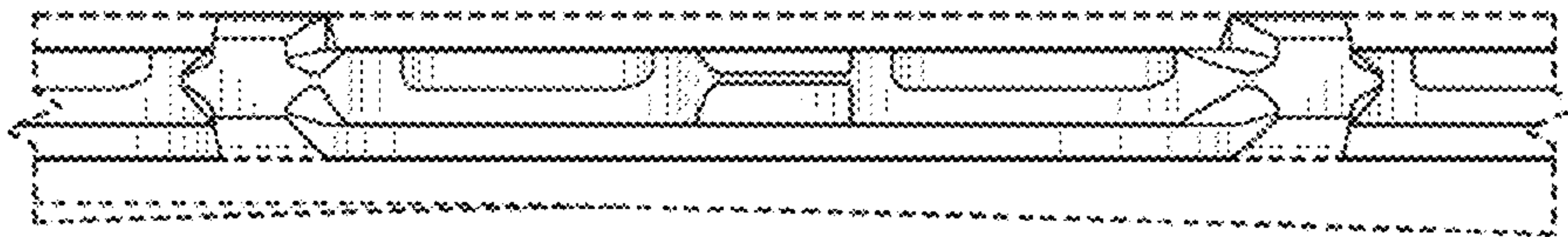


FIG. 7