



US00D716186S

(12) **United States Design Patent**  
**Tada**

(10) **Patent No.:** **US D716,186 S**  
(45) **Date of Patent:** **\*\* Oct. 28, 2014**

(54) **AUTOMOBILE AND/OR TOY REPLICA THEREOF**

(71) Applicant: **Hiroyuki Tada**, Nagoya (JP)

(72) Inventor: **Hiroyuki Tada**, Nagoya (JP)

(73) Assignee: **Toyota Jidosha Kabushiki Kaisha**,  
Toyota-shi, Aichi-ken (JP)

(\*\*) Term: **14 Years**

(21) Appl. No.: **29/460,597**

(22) Filed: **Jul. 12, 2013**

**Related U.S. Application Data**

(62) Division of application No. 29/424,027, filed on Jun. 7, 2012, now Pat. No. Des. 692,347.

(30) **Foreign Application Priority Data**

Mar. 9, 2012 (JP) ..... 2012-005392  
Mar. 9, 2012 (JP) ..... 2012-005412

(51) **LOC (10) Cl.** ..... **12-08**

(52) **U.S. Cl.**  
USPC ..... **D12/86**

(58) **Field of Classification Search**  
USPC ..... D12/86, 88, 90, 91, 92; D21/424, 433,  
D21/434; 296/181.1, 181.5  
See application file for complete search history.

(56) **References Cited**

**U.S. PATENT DOCUMENTS**

D490,019 S \* 5/2004 Sakae ..... D12/91  
D504,087 S \* 4/2005 Hakamata et al. .... D12/91  
D504,639 S \* 5/2005 Oishi et al. .... D12/91  
D528,469 S 9/2006 Yakushi et al.  
D532,337 S \* 11/2006 Hakamata et al. .... D12/91  
D540,214 S \* 4/2007 Nakai et al. .... D12/91  
D551,119 S \* 9/2007 Okamoto ..... D12/91

D563,275 S \* 3/2008 Kim et al. .... D12/91  
D567,713 S \* 4/2008 Ohishi et al. .... D12/91  
D568,210 S \* 5/2008 Ohishi et al. .... D12/91  
D572,628 S \* 7/2008 Nakajima ..... D12/90  
7,988,453 B2 \* 8/2011 Loo et al. .... 439/34  
8,011,718 B2 \* 9/2011 Tsuyuzaki et al. .... 296/203.04  
D657,716 S \* 4/2012 Cartabiano et al. .... D12/91

**OTHER PUBLICATIONS**

AutoCone.com; FunCargo; Mfg.: Toyota; <http://auto-onejp/toyota/funcargo/photo2/> (2004).

Yunyusa no subete 2007; Kangoo; Mfg.: Renault; Publisher: San-eishobo Publishing Co., Ltd.; (May 6, 2007).

(Continued)

*Primary Examiner* — Philip S Hyder

*Assistant Examiner* — Darlington Ly

(74) *Attorney, Agent, or Firm* — Finnegan, Henderson, Farabow, Garrett & Dunner, LLP

(57) **CLAIM**

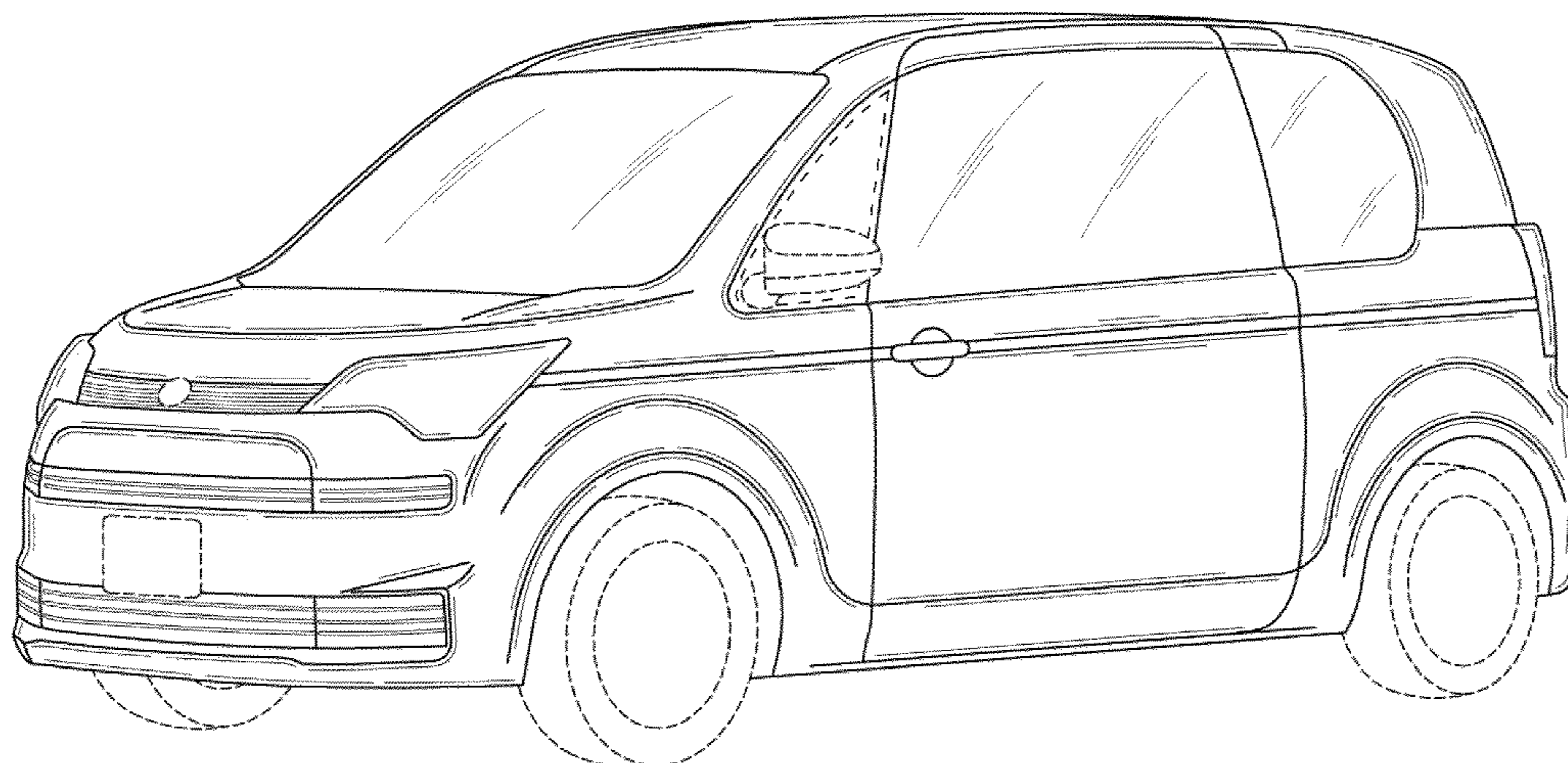
The ornamental design for an automobile and/or toy replica thereof, as shown and described.

**DESCRIPTION**

FIG. 1 is a front left perspective view of an automobile and/or toy replica thereof showing my new design;  
FIG. 2 is a rear left perspective view thereof;  
FIG. 3 is a front right perspective view thereof;  
FIG. 4 is a rear right perspective view thereof;  
FIG. 5 is a front view thereof;  
FIG. 6 is a rear view thereof;  
FIG. 7 is a left side elevation view thereof;  
FIG. 8 is a right side elevation view thereof; and,  
FIG. 9 is a top plan view thereof.

The bottom view forms no part of the claimed design. The broken lines shown in the drawings illustrate portions of the automobile and/or toy replica thereof that form no part of the claimed design.

**1 Claim, 8 Drawing Sheets**



(56)

**References Cited**

OTHER PUBLICATIONS

Catalogue of Toyota Voxy; Voxy; Mfg.: Toyota; Publisher: Toyota Jidosha Kabushiki Kaisha (2001).

Catalogue of Toyota dB; dB; Mfg.: Toyota; Publisher: Toyota Jidosha Kabushiki Kaisha (2010).

Netcarshow.com; Chevrolet Astro (1999); Mfg.: Chevrolet; <http://www.netcarshow.com/chevrolet/1999-astro/> (1999).

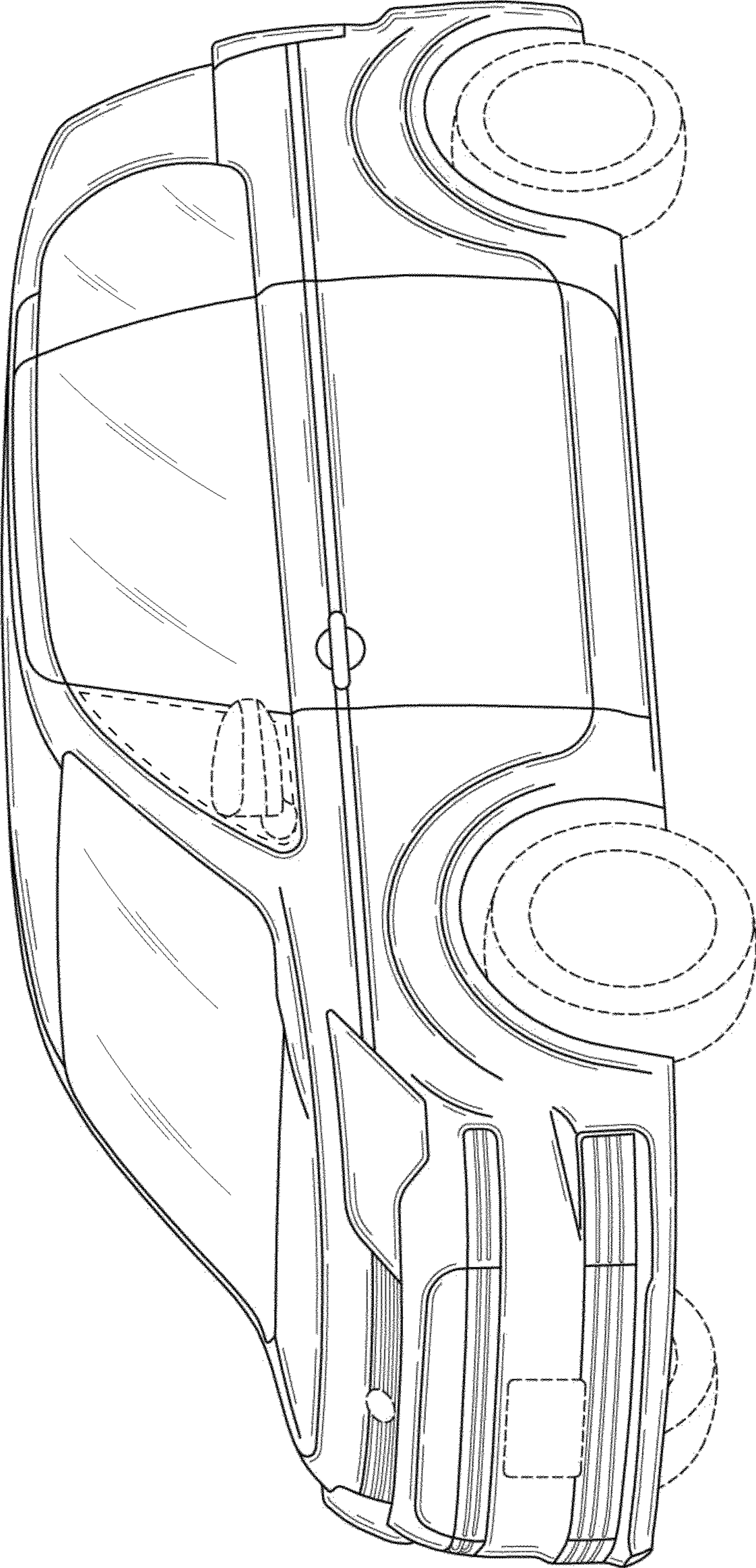
2011 Scion xD. Vehicle Brochure, Sep. 23, 2010 [online], [retrieved on Feb. 27, 2013]. Retrieved from the Internet <URL: <http://www>.

[auto-brochures.com/makes/Scion/xD/Scion\\_US%20xD\\_2011.pdf](http://www.auto-brochures.com/makes/Scion/xD/Scion_US%20xD_2011.pdf)>.

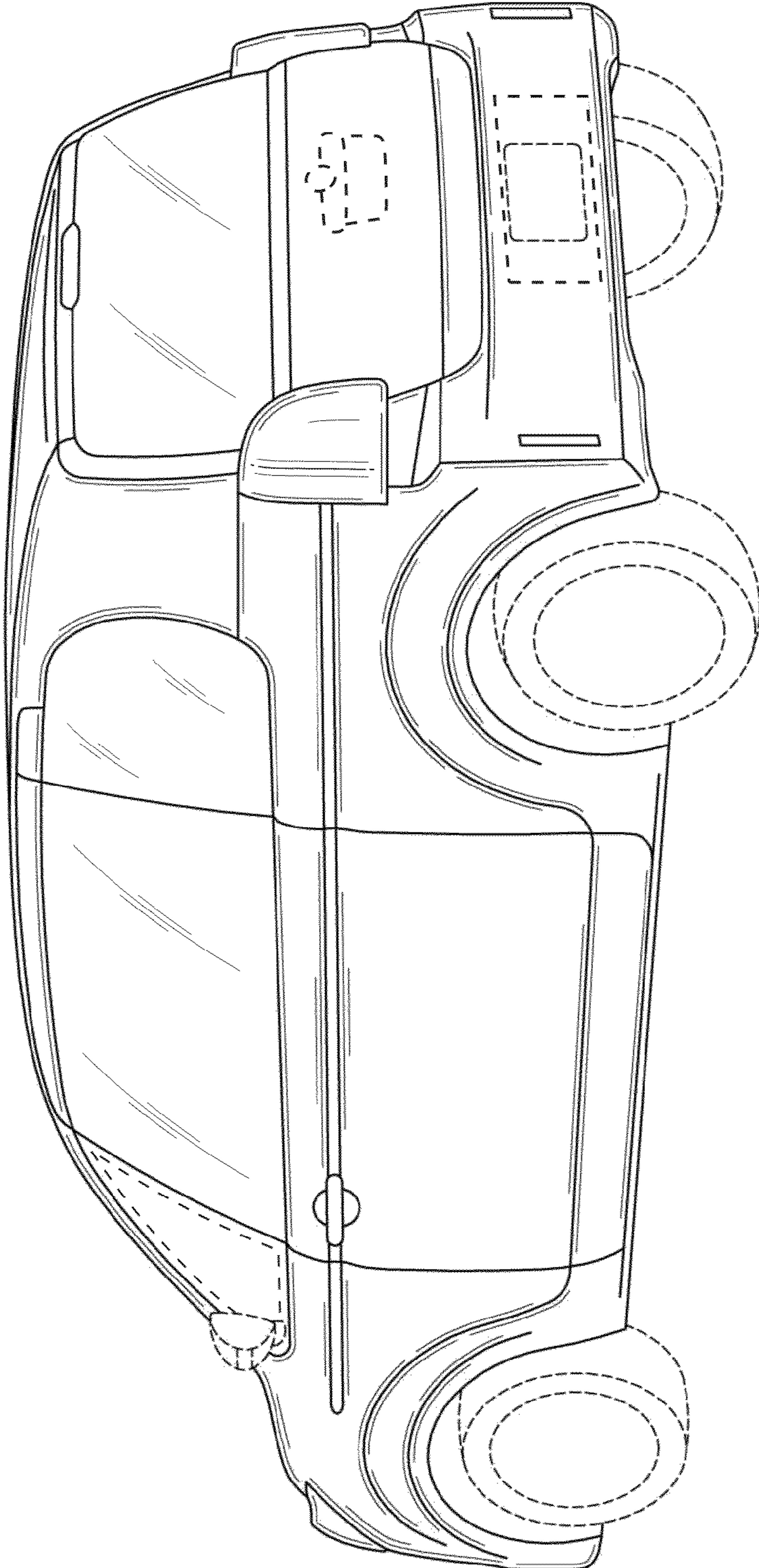
2012 Scion xD. Vehicle Brochure. Aug. 26, 2011 [online]. [retrieved on Feb. 27, 2013]. Retrieved from the Internet <URL: [http://www.auto-brochures.com/makes/Scion/xD/Scion\\_US%520xD\\_2012.pdf](http://www.auto-brochures.com/makes/Scion/xD/Scion_US%520xD_2012.pdf)>.

2011 Nissan Cube. Vehicle Brochure. Oct. 22, 2010 [online], [retrieved on Feb. 27, 2013]. Retrieved from the Internet <URL: [http://www.auto-brochures.com/makes/Nissan/CubeNissan\\_US%20Cube\\_2011.pdf](http://www.auto-brochures.com/makes/Nissan/CubeNissan_US%20Cube_2011.pdf)>.

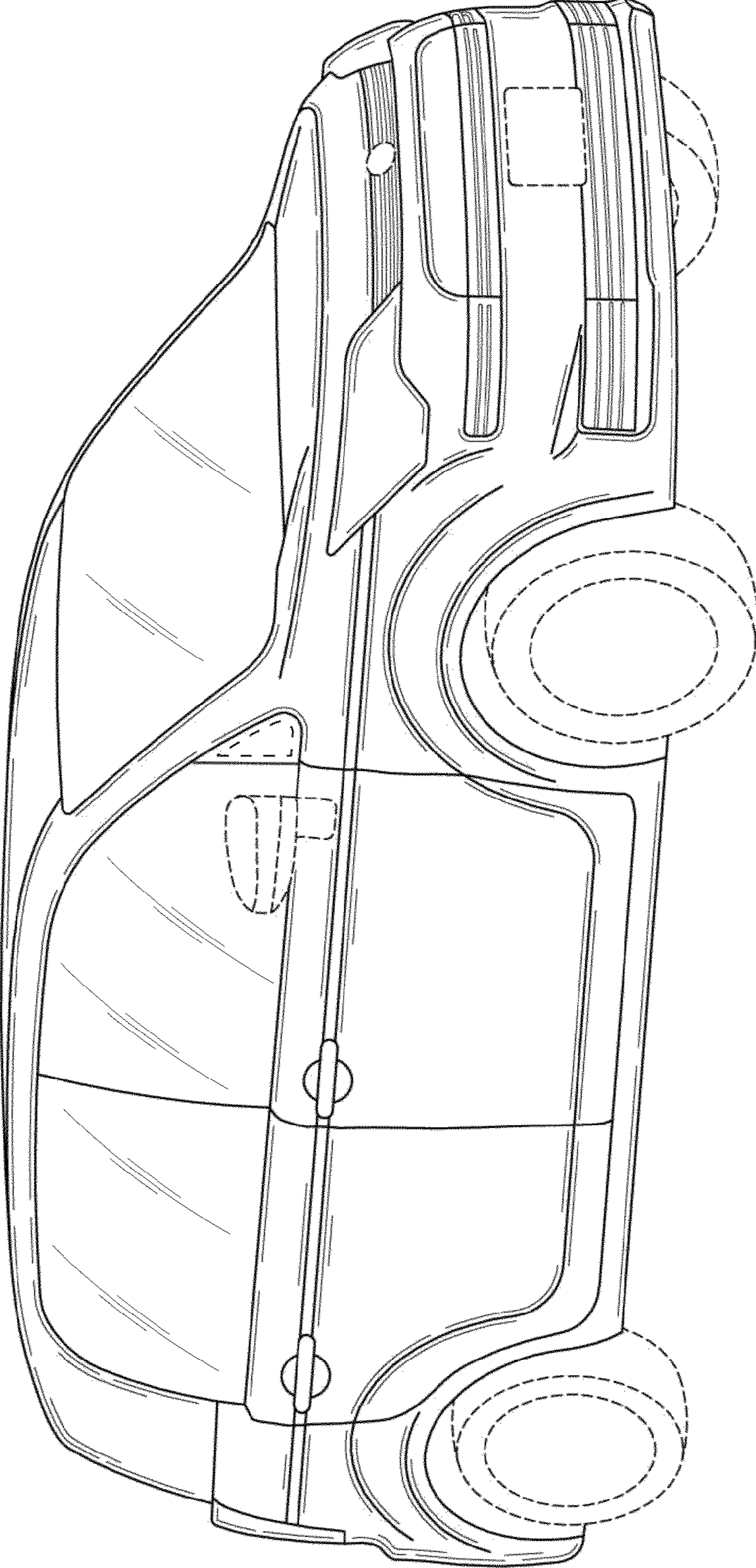
\* cited by examiner



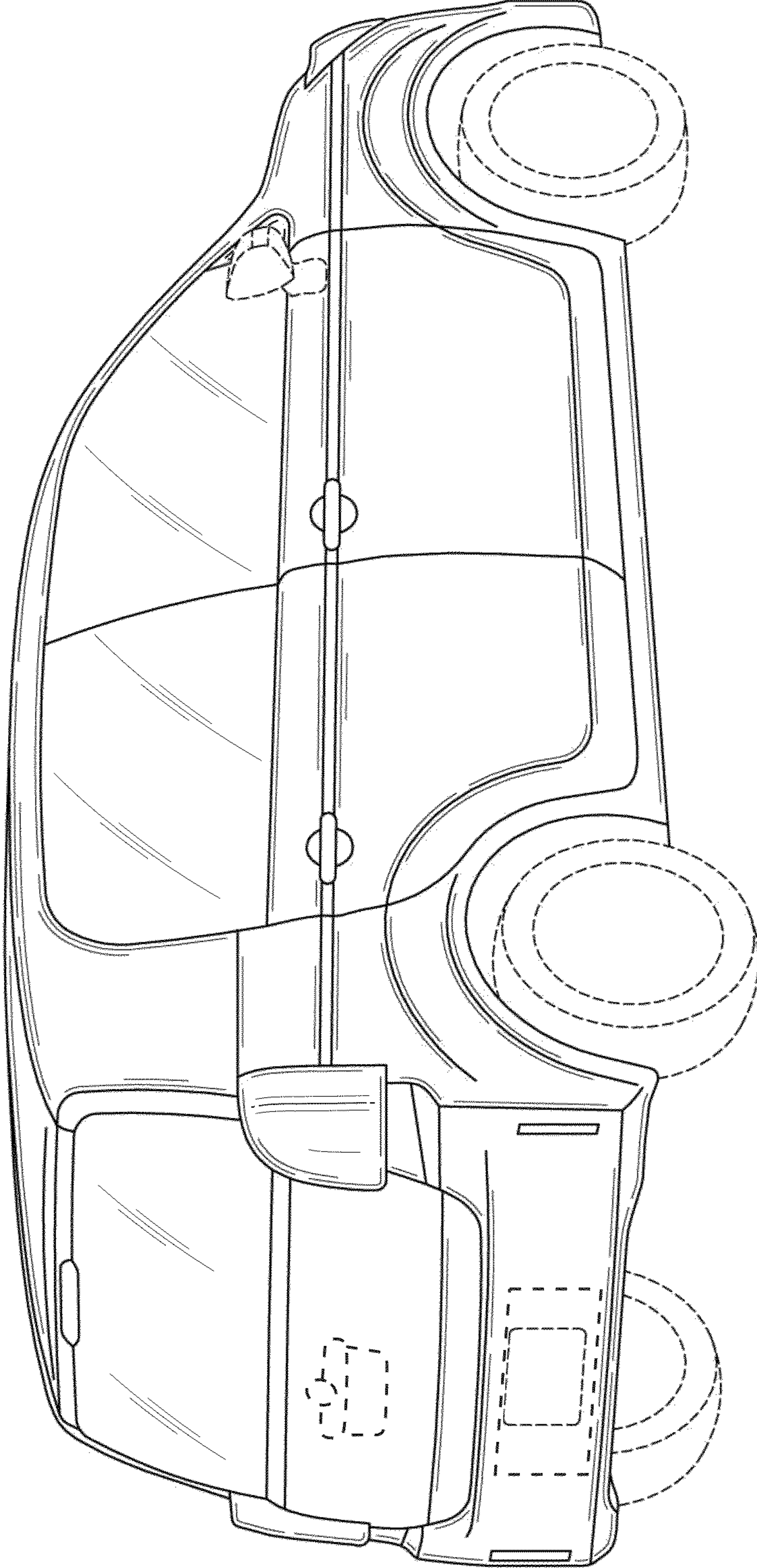
**FIG. 1**



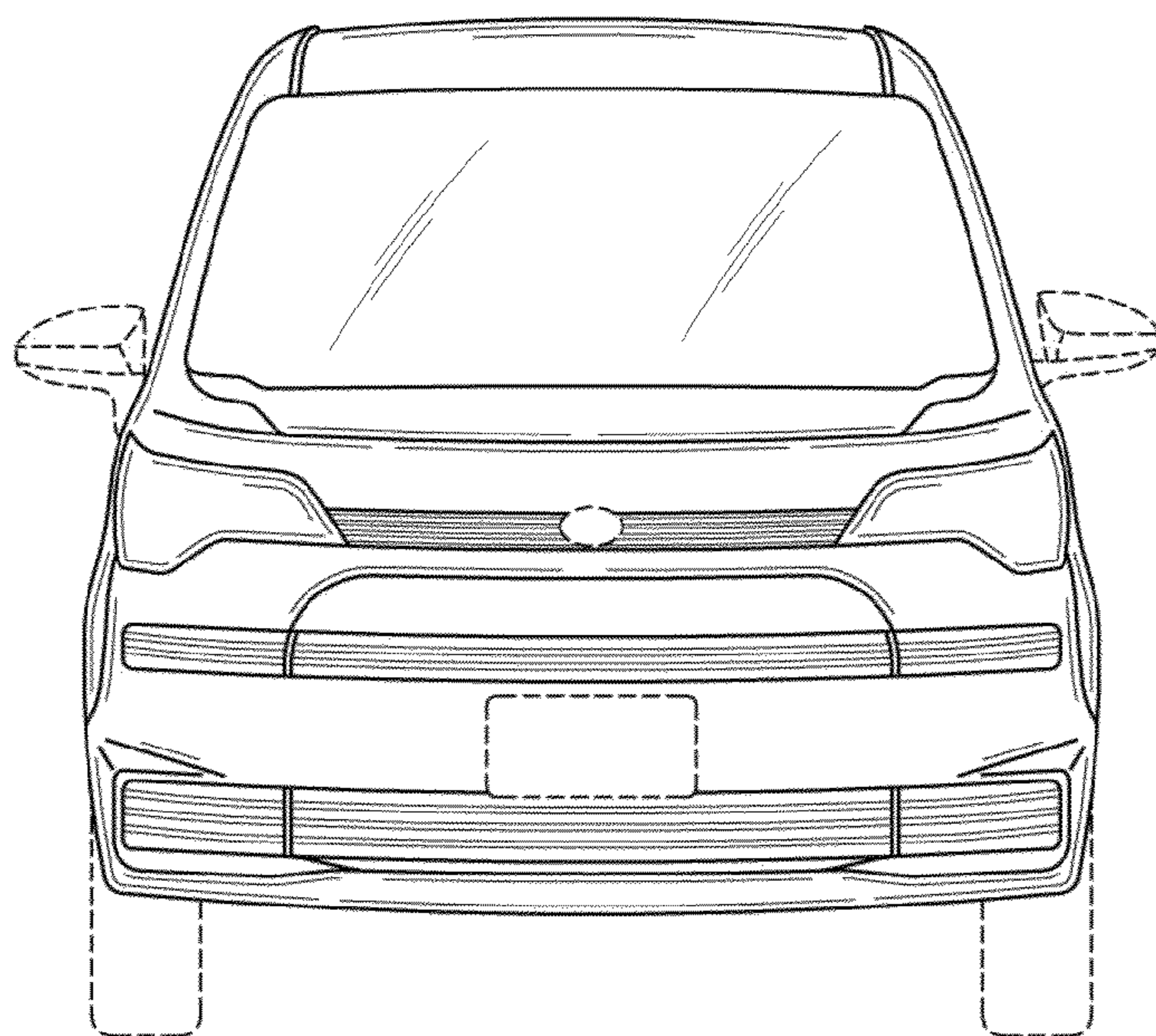
**FIG. 2**



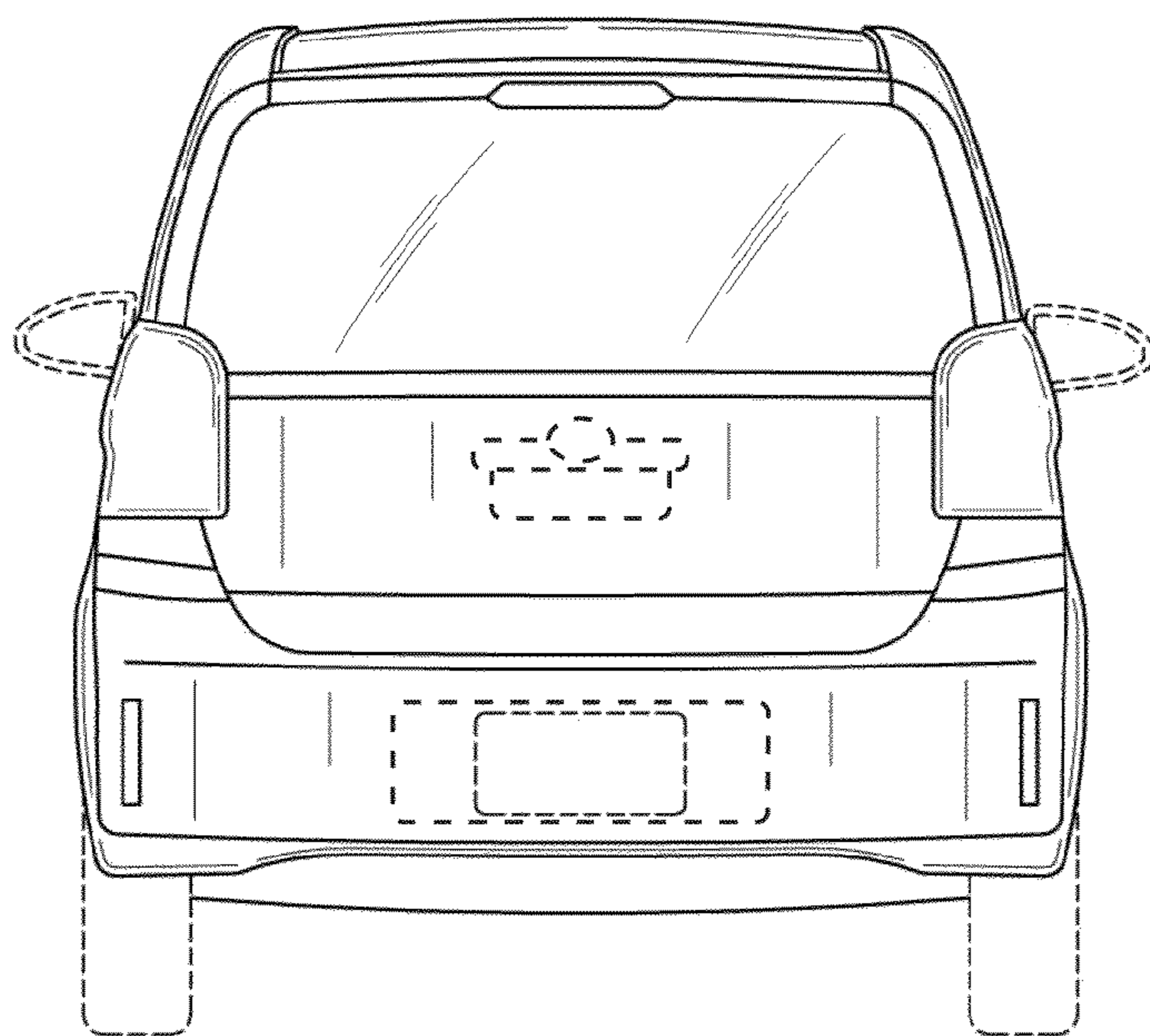
**FIG. 3**



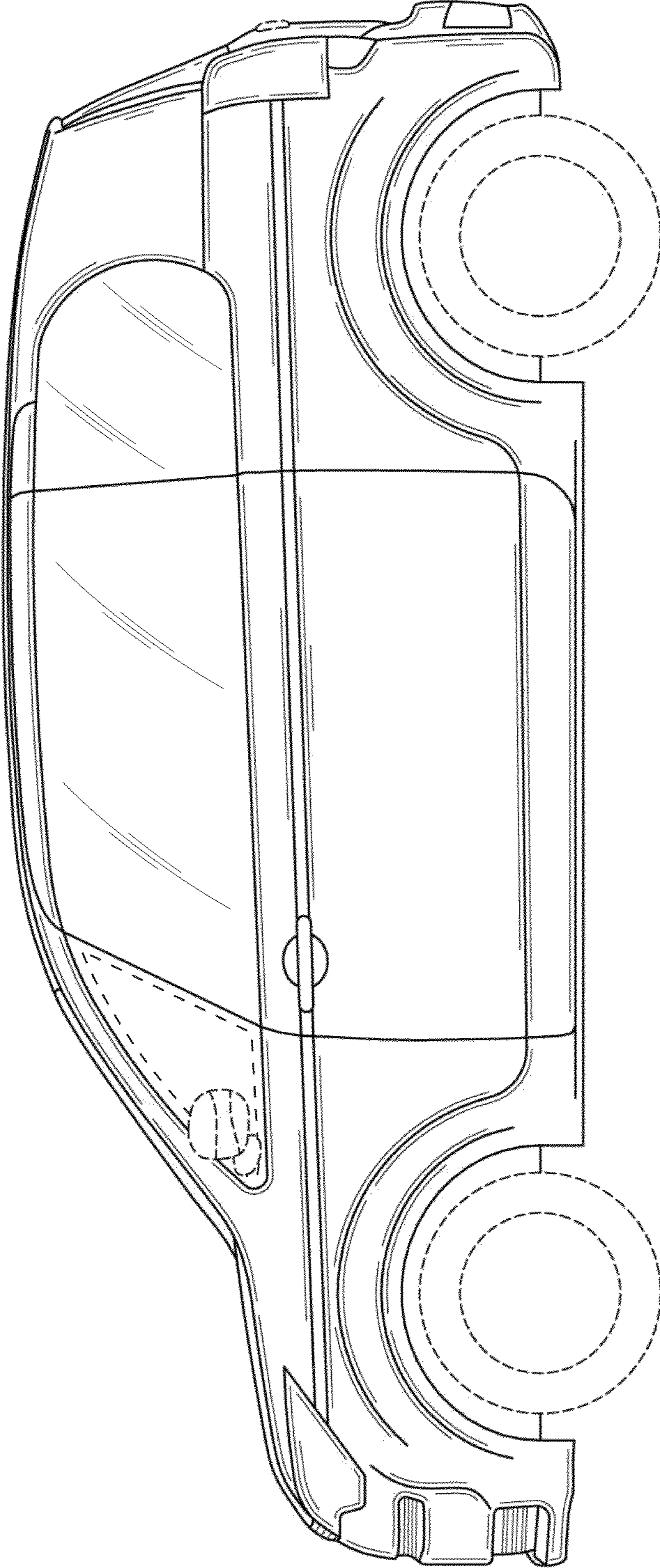
**FIG. 4**



**FIG. 5**

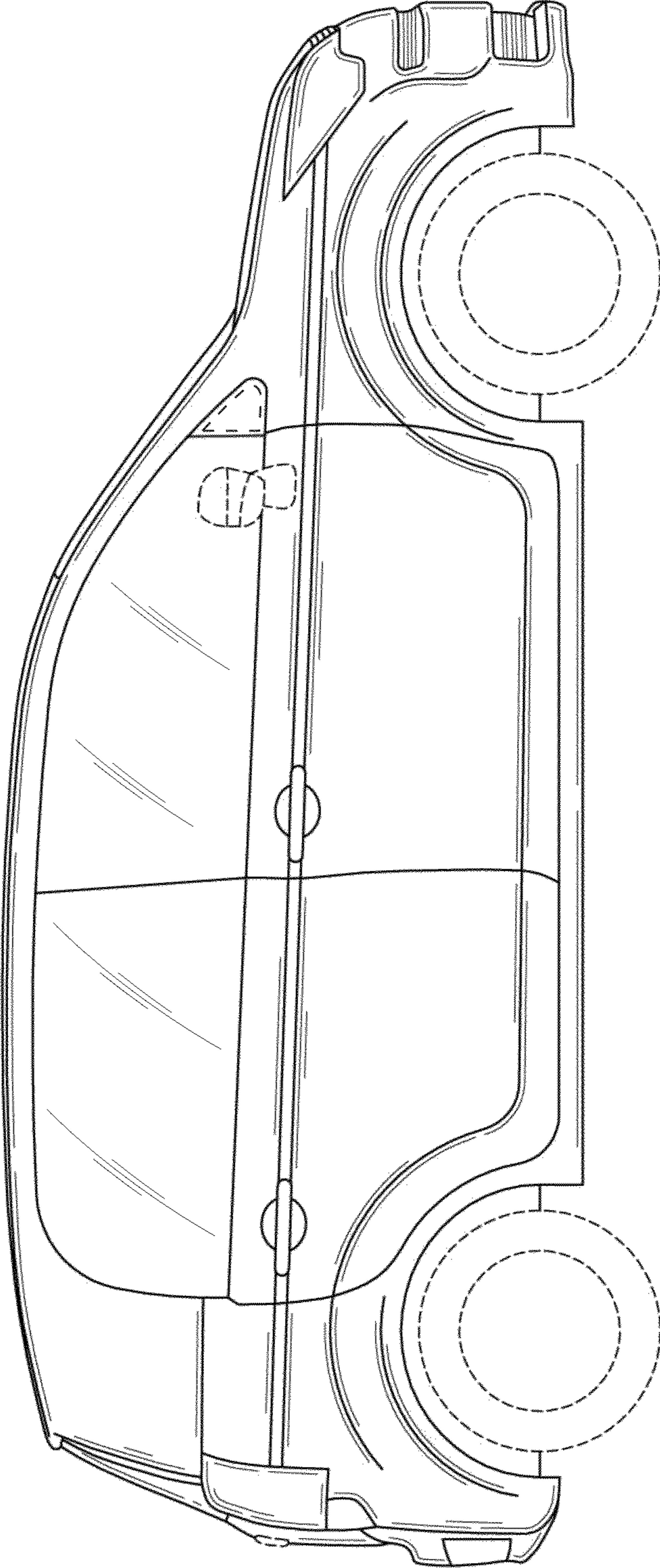


**FIG. 6**

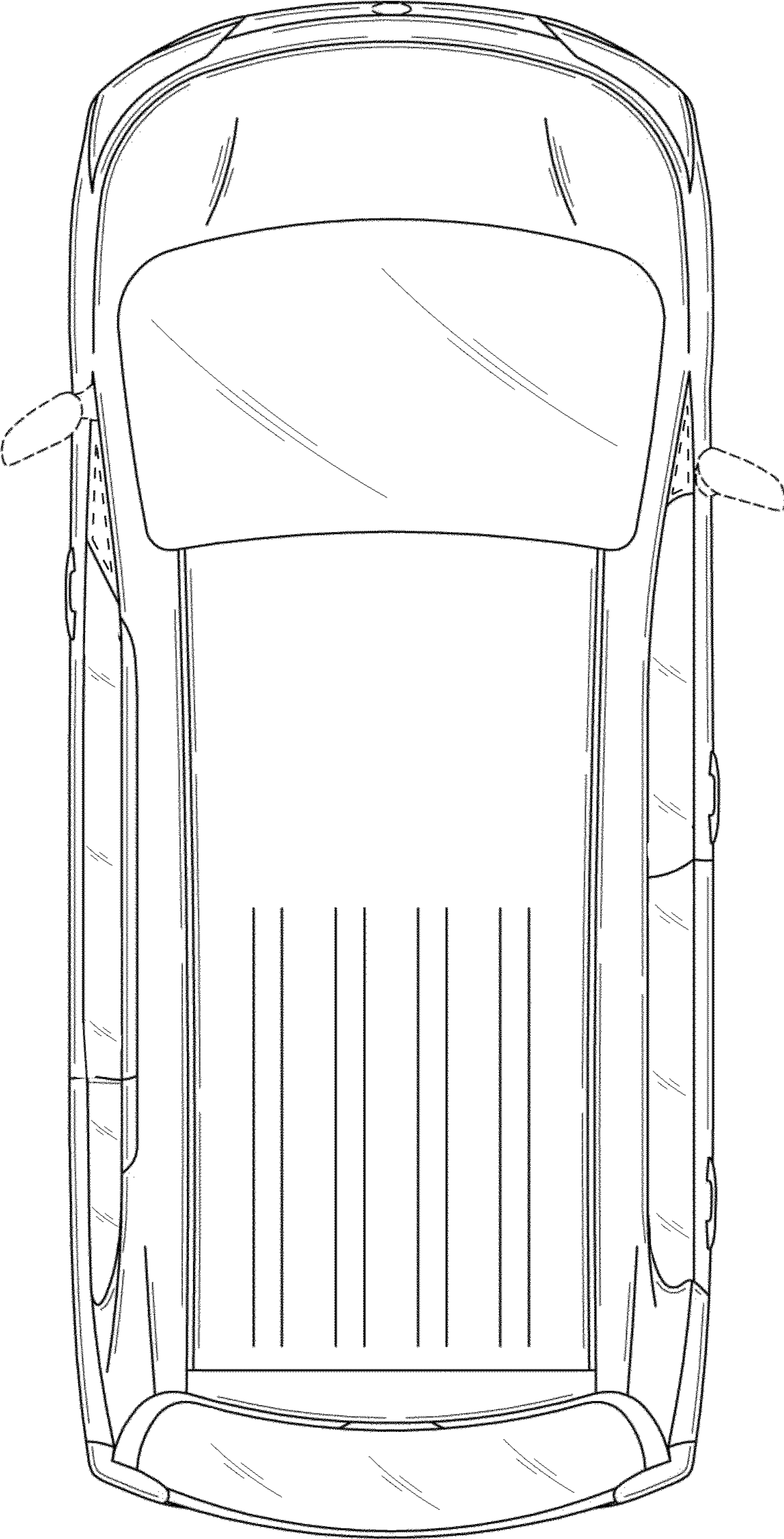


**FIG. 7**





**FIG. 8**



**FIG. 9**