



US00D716185S

(12) **United States Design Patent**
Higashikawa

(10) **Patent No.:** **US D716,185 S**
(45) **Date of Patent:** **** Oct. 28, 2014**

(54) **TRANSPORT VEHICLE**

FOREIGN PATENT DOCUMENTS

(71) Applicant: **Kubota Corporation**, Osaka (JP)
(72) Inventor: **Yoshitaka Higashikawa**, Sakai (JP)
(73) Assignee: **Kubota Corporation**, Osaka (JP)
(**) Term: **14 Years**

JP	1187561	10/2003
JP	1310436	9/2007
JP	1311373	10/2007
JP	1313649	10/2007
JP	1313650	10/2007
JP	1313651	10/2007
JP	1313961	10/2007
JP	1329590	5/2008
JP	1330342	5/2008

(21) Appl. No.: **29/450,636**

* cited by examiner

(22) Filed: **Mar. 20, 2013**

Primary Examiner — T. Chase Nelson

Assistant Examiner — Ania Aman

(30) **Foreign Application Priority Data**

(74) *Attorney, Agent, or Firm* — The Webb Law Firm

Sep. 28, 2012 (JP) 2012-023743

(51) **LOC (10) Cl.** **12-13**

(57) **CLAIM**

(52) **U.S. Cl.**
USPC **D12/14**

The ornamental design for a transport vehicle, as shown and described.

(58) **Field of Classification Search**
USPC D12/14, 1, 87, 86, 433, 15, 16, 107, 82,
D12/88, 89, 90, 91, 92, 93; D21/803;
180/233, 908; 208/DIG. 5, 183, 184,
208/185, 186, 28, 37.7
See application file for complete search history.

DESCRIPTION

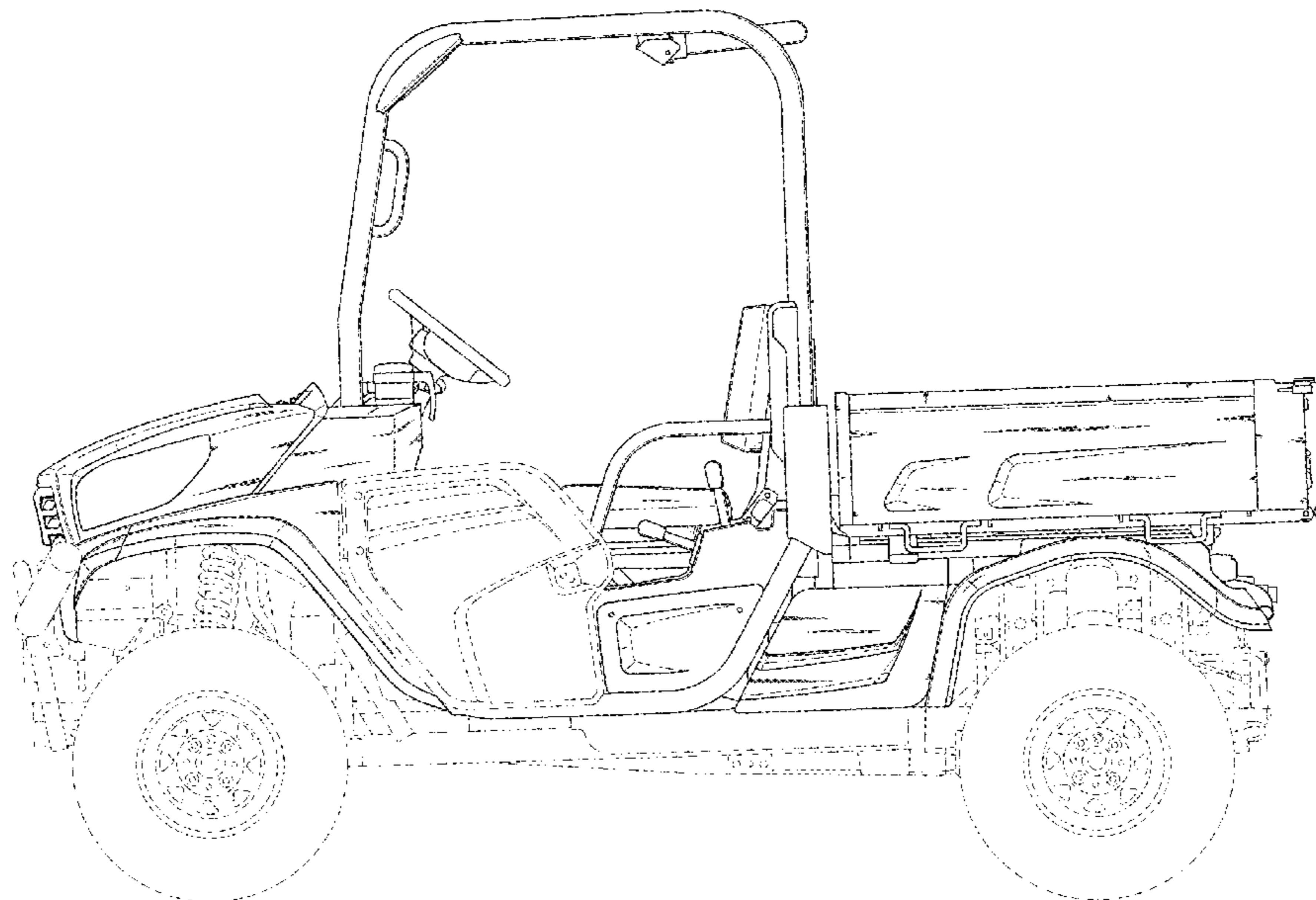
(56) **References Cited**

FIG. 1 is a right side view of a transport vehicle showing my new design;
FIG. 2 is a left side view thereof;
FIG. 3 is a front view thereof;
FIG. 4 is a rear view thereof;
FIG. 5 is a top view thereof; and,
FIG. 6 is an upper right front perspective view thereof.
A bottom view is omitted because it is plain and unornamental and forms no part of the subject matter of the claimed design.
The broken lines shown in the views show portions of the transport vehicle that form no part of the claimed design.

U.S. PATENT DOCUMENTS

D675,960	S *	2/2013	Hashimoto et al.	D12/87
D679,627	S *	4/2013	Li et al.	D12/14
D682,738	S *	5/2013	Li et al.	D12/14
D689,396	S *	9/2013	Wang	D12/14
8,585,088	B1 *	11/2013	Kaku et al.	280/756
D694,668	S *	12/2013	Li et al.	D12/14
D699,627	S *	2/2014	Tang	D12/14
2008/0053738	A1 *	3/2008	Kosuge et al.	180/311
2012/0161477	A1 *	6/2012	Furman et al.	296/203.03

1 Claim, 6 Drawing Sheets



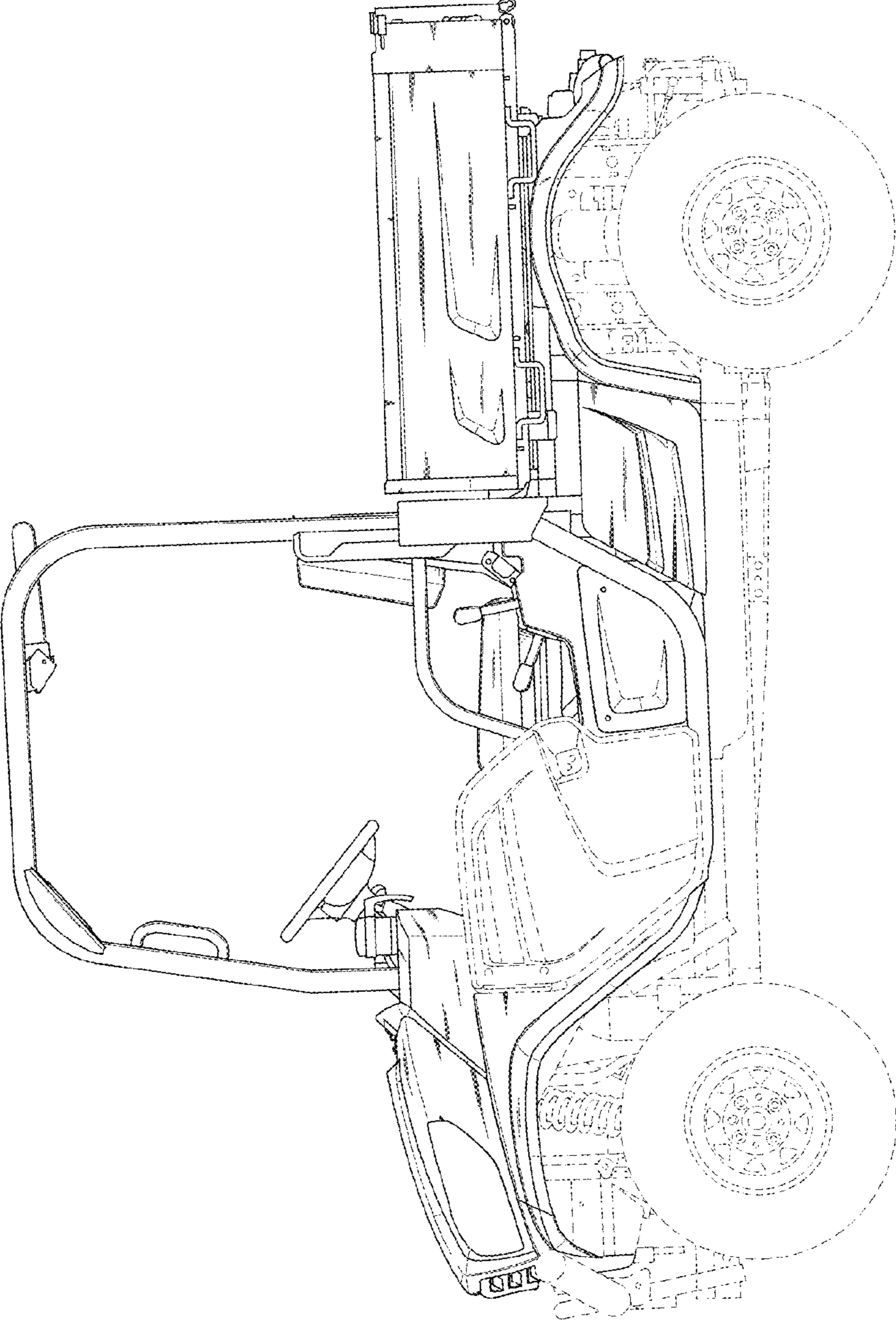


FIG. 1

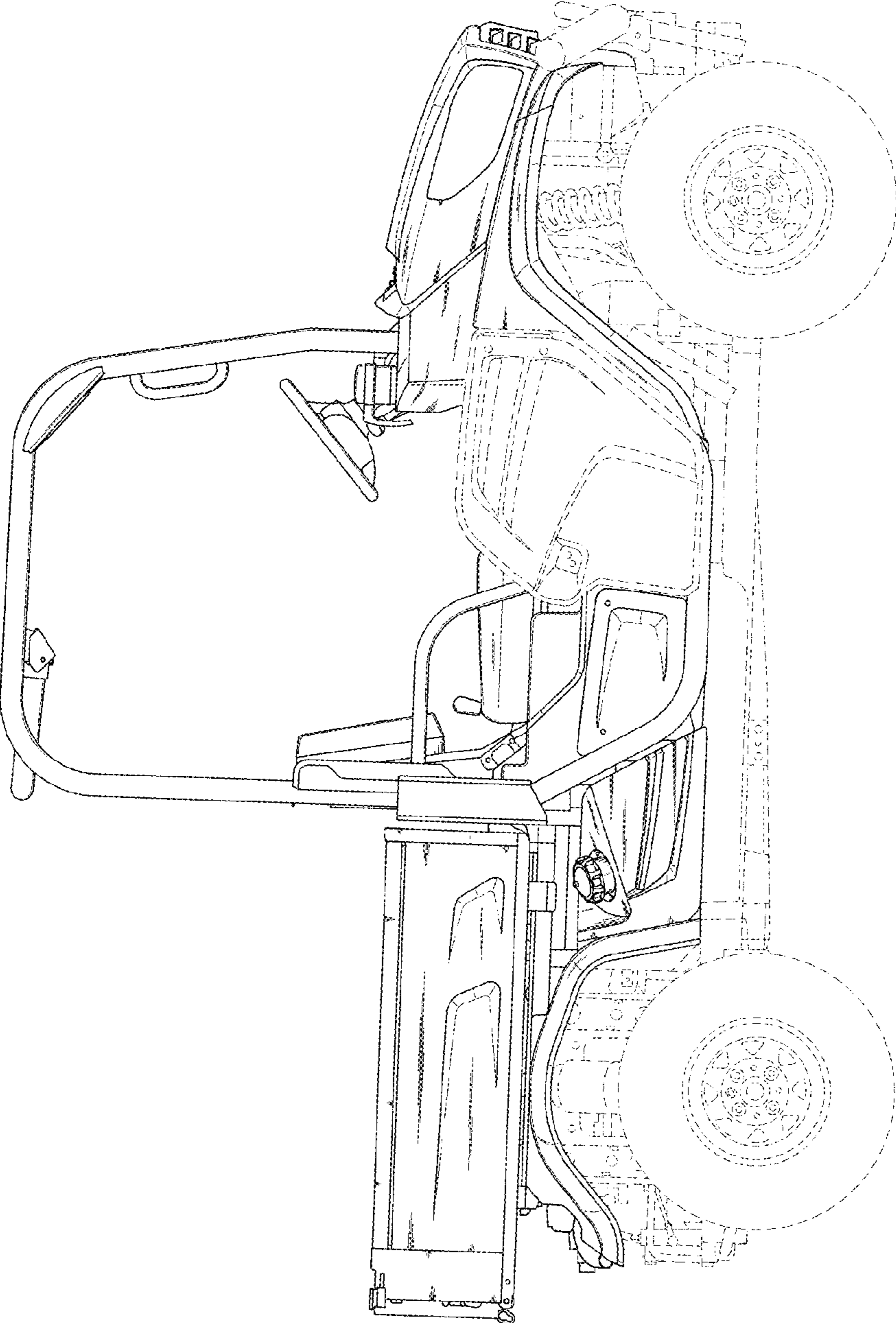


FIG. 2

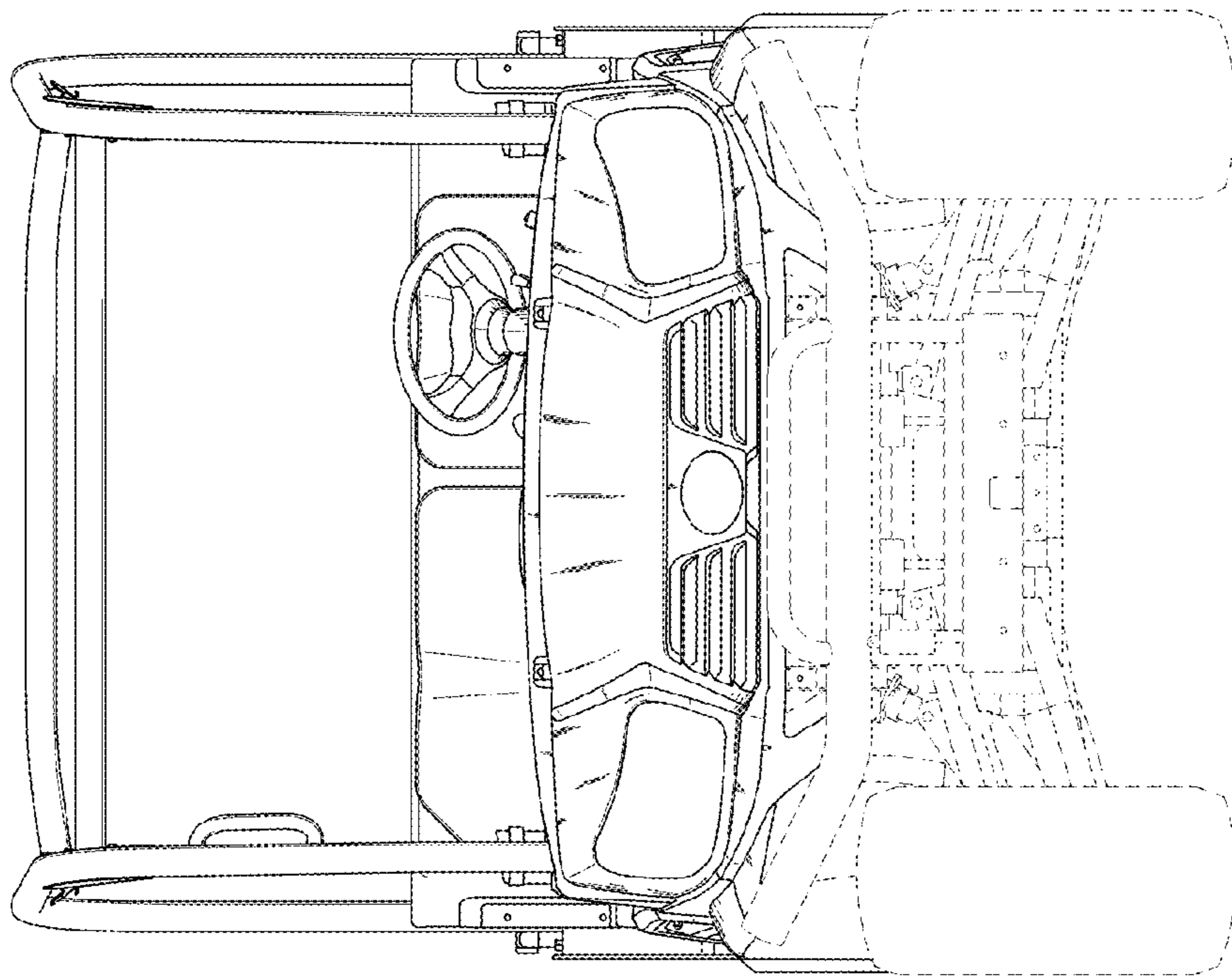


FIG. 3

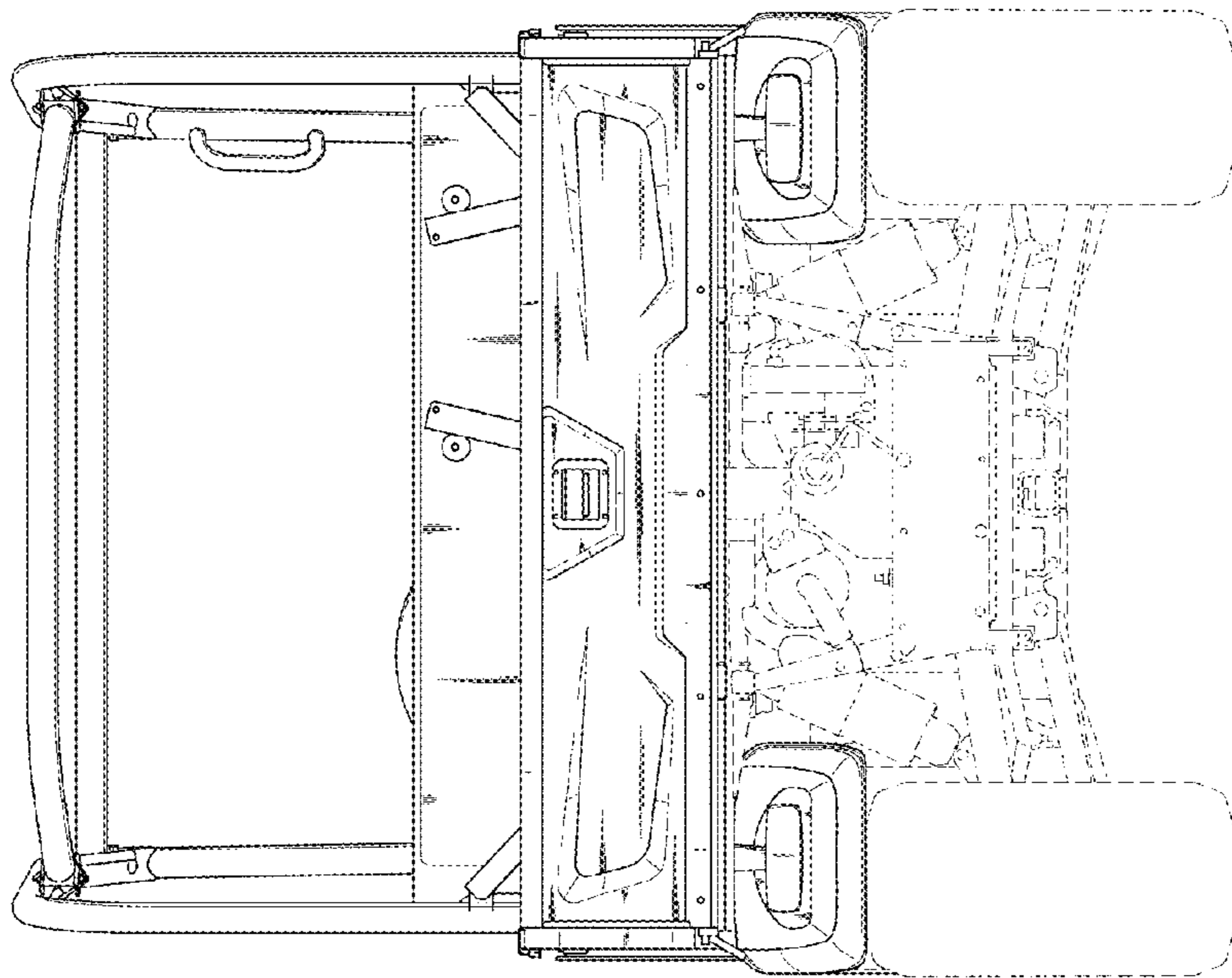


FIG. 4

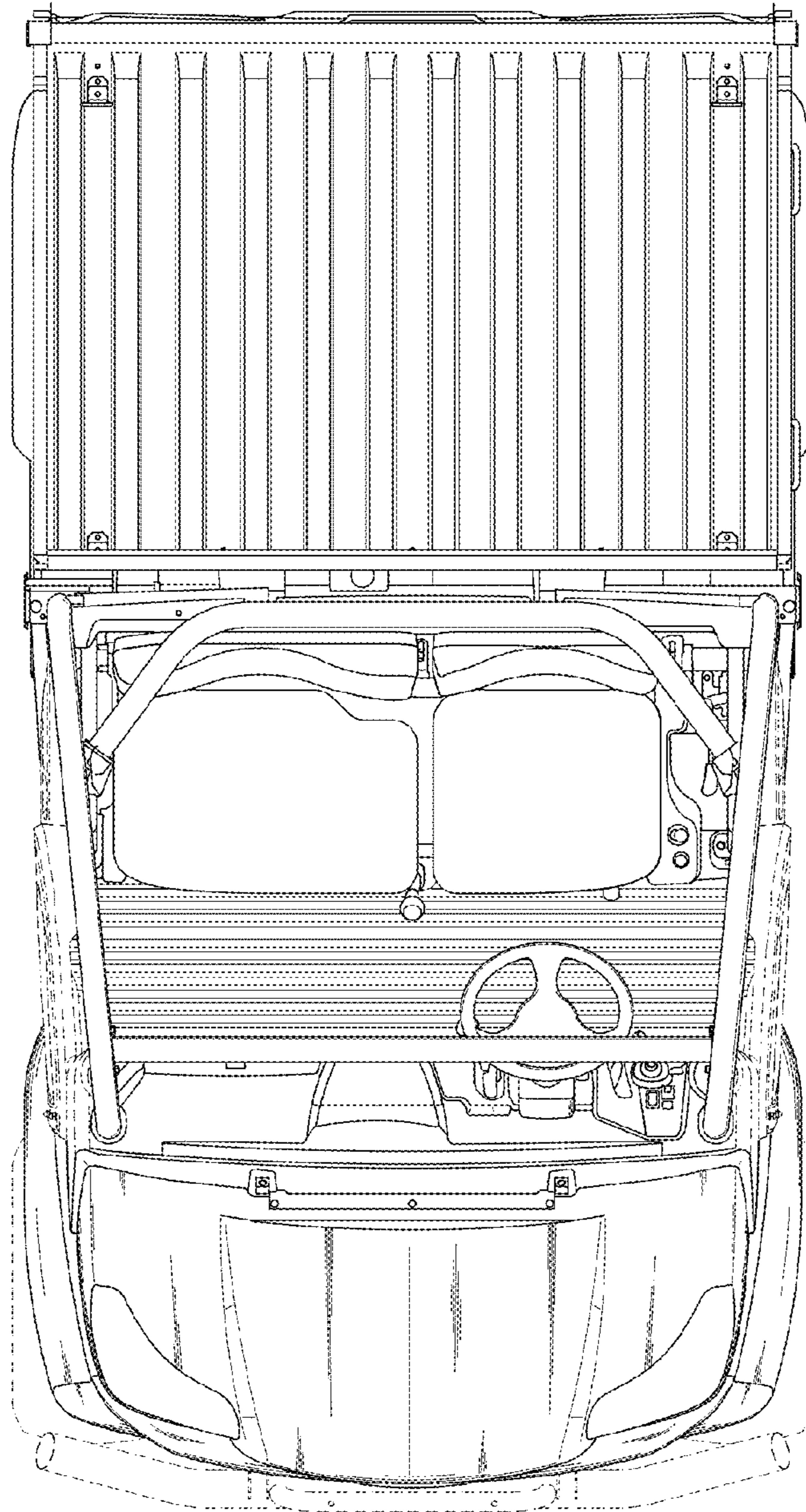


FIG. 5

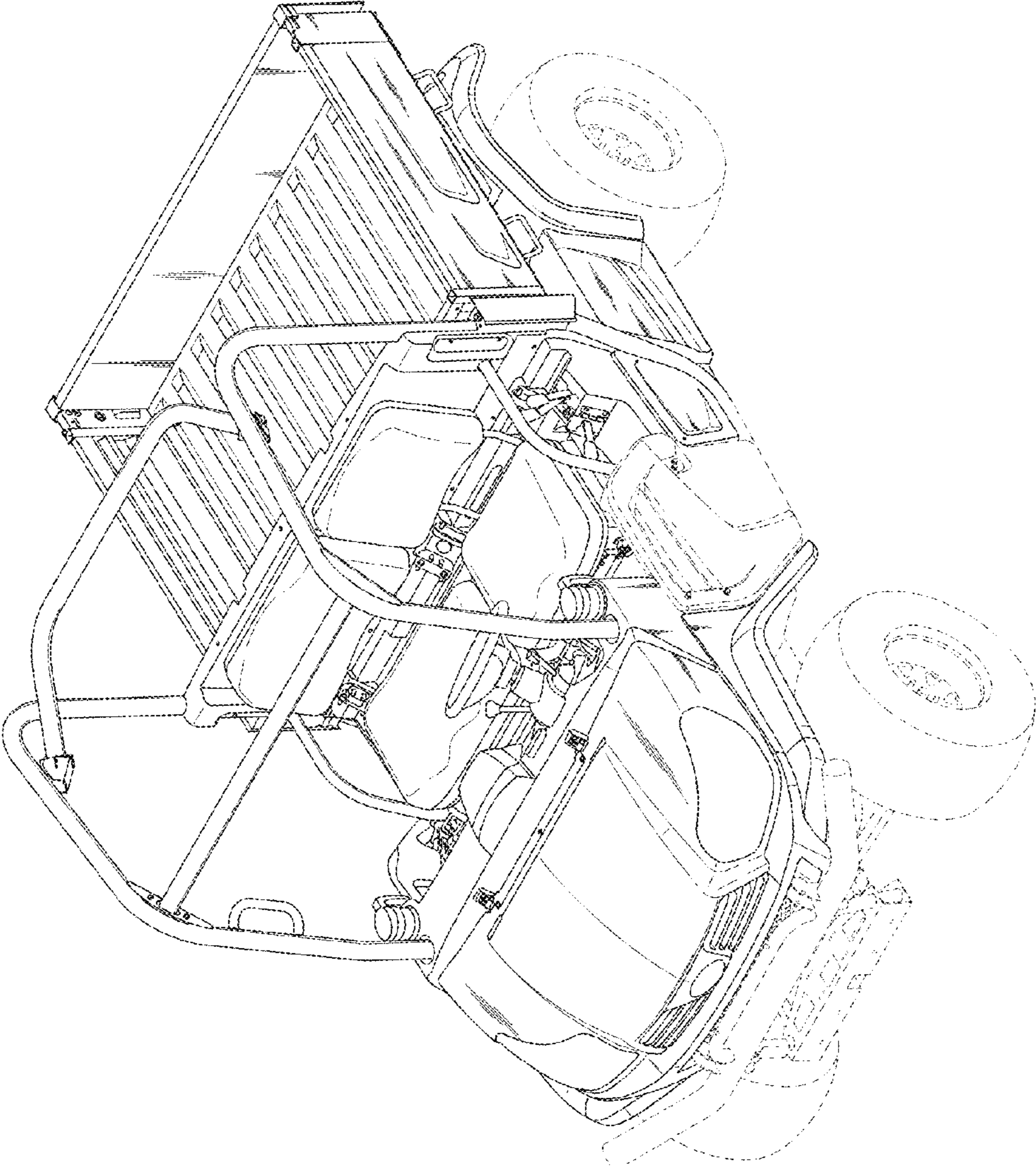


FIG. 6