



US00D716183S

(12) **United States Design Patent**
Crooks

(10) **Patent No.:** **US D716,183 S**
(45) **Date of Patent:** **** Oct. 28, 2014**

(54) **DEVICE FOR SECURING AN ARTICLE OF CLOTHING**

(71) Applicant: **Jenell Boley Crooks**, Lee's Summit, MO (US)

(72) Inventor: **Jenell Boley Crooks**, Lee's Summit, MO (US)

(73) Assignee: **4JC's Development, LLC**, Lake Lotawana, MO (US)

(**) Term: **14 Years**

(21) Appl. No.: **29/448,027**

(22) Filed: **Mar. 8, 2013**

(51) **LOC (10) Cl.** **02-07**

(52) **U.S. Cl.**
USPC **D11/215**

(58) **Field of Classification Search**
USPC D11/1-2, 200-201, 206-210, 214-218;
24/163 R, 169-171, 173, 177-179, 191,
24/194-195, 197, 200, 614-616, 625, 198,
24/578.11, 578.1, 163 K, 114; D22/108;
7/151, 152; D8/395

See application file for complete search history.

(56) **References Cited**

U.S. PATENT DOCUMENTS

748,423	A *	12/1903	Schaffner	24/538
D58,025	S *	5/1921	Hultman	D11/206
1,589,228	A *	6/1926	Robb	24/532
1,638,979	A	8/1927	Broking		
2,168,369	A	8/1939	Solomon		
D123,855	S *	12/1940	Braun	D11/201
2,352,147	A	6/1944	Clark		
3,085,247	A *	4/1963	Bixby	2/46
3,086,264	A	4/1963	Tindall		

(Continued)

OTHER PUBLICATIONS

<http://news.cision.com/sleeve-clips/r/new-invention-to-hold-rolled-up-sleeves-in-place-debuts-at-mrket-tradeshaw-in-las-vegas,c9153830/>.

Primary Examiner — Ralf Seifert

(74) *Attorney, Agent, or Firm* — Bradley IP, LLC; Sean T. Bradley

(57) **CLAIM**

The ornamental design for a device for securing an article of clothing, as shown and described.

DESCRIPTION

FIG. 1 is a perspective view of one embodiment of the present invention.

FIG. 2 is a front elevation view of one embodiment of the present invention.

FIG. 3 is a rear elevation view of one embodiment of the present invention.

FIG. 4 is a left elevation view of one embodiment of the present invention.

FIG. 5 is a right elevation view of one embodiment of the present invention.

FIG. 6 is an alternative perspective view of one embodiment of the present invention.

FIG. 7 is a top plan view of the present invention.

FIG. 8 is a bottom plan view of the present invention.

FIG. 9 is a perspective view of a second embodiment of the present invention.

FIG. 10 is a front elevation view of a second embodiment of the present invention.

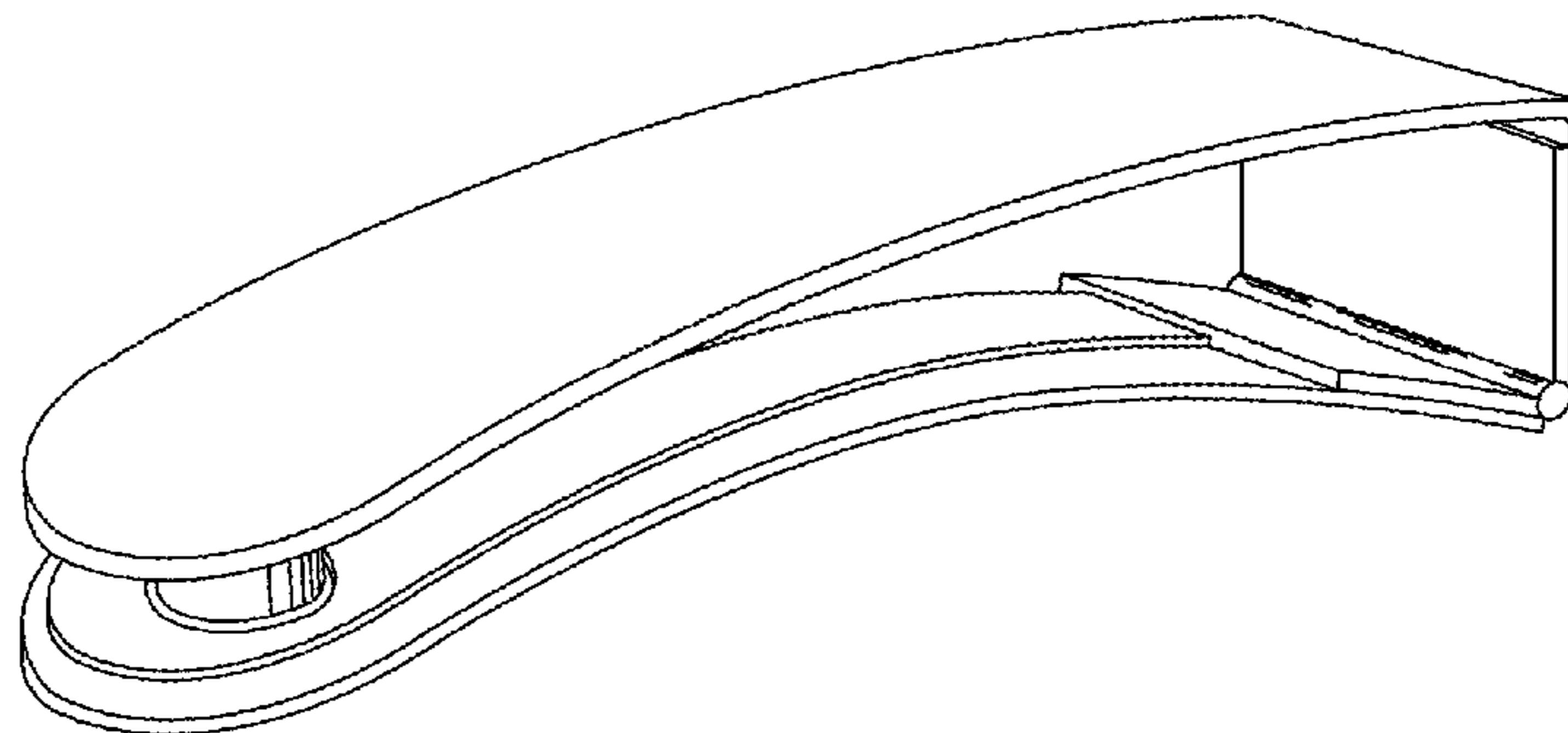
FIG. 11 is a rear elevation view of a second embodiment of the present invention.

FIG. 12 is a left elevation view of a second embodiment of the present invention.

FIG. 13 is a right elevation view of a second embodiment of the present invention; and,

FIG. 14 is an alternative perspective view of a second embodiment of the present invention.

1 Claim, 8 Drawing Sheets



(56)

References Cited

U.S. PATENT DOCUMENTS

3,577,583 A 5/1971 Amann
D244,968 S * 7/1977 Fowble D11/215
4,145,793 A 3/1979 Berlet
4,255,837 A 3/1981 Holtz
D302,242 S * 7/1989 Belash D8/395
5,259,405 A 11/1993 Hua-Chou
D359,711 S * 6/1995 Bell D11/218

5,546,641 A 8/1996 Radvin et al.
5,676,166 A 10/1997 Chang
D453,294 S 2/2002 Bitzer
6,457,218 B1 10/2002 Lawrence
6,634,366 B1 10/2003 Simmons et al.
D597,827 S 8/2009 Brassard
D623,048 S 9/2010 Moy
2003/0056344 A1 3/2003 Brogdon, III
2003/0101551 A1 6/2003 Levesque

* cited by examiner

Fig. 1

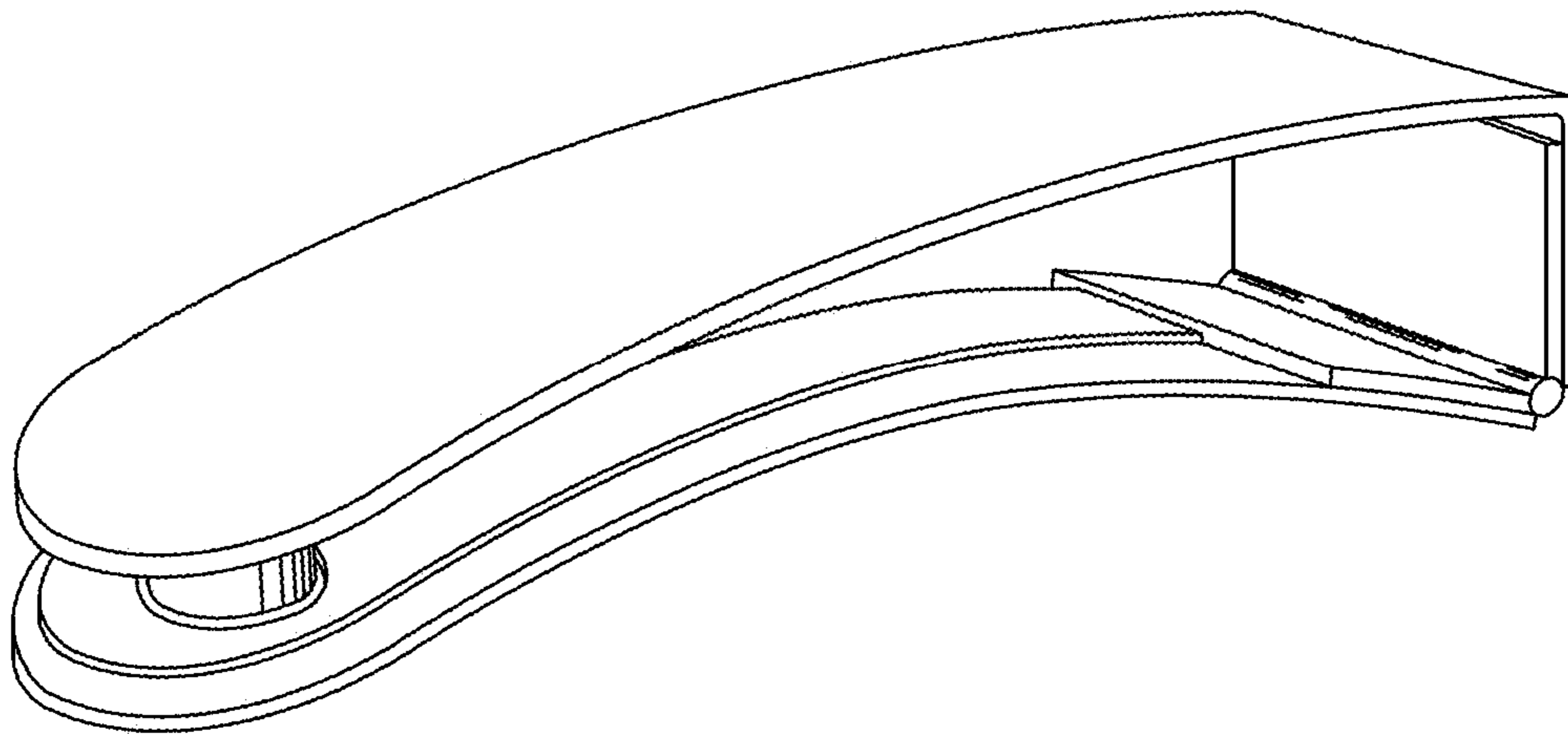


Fig. 2

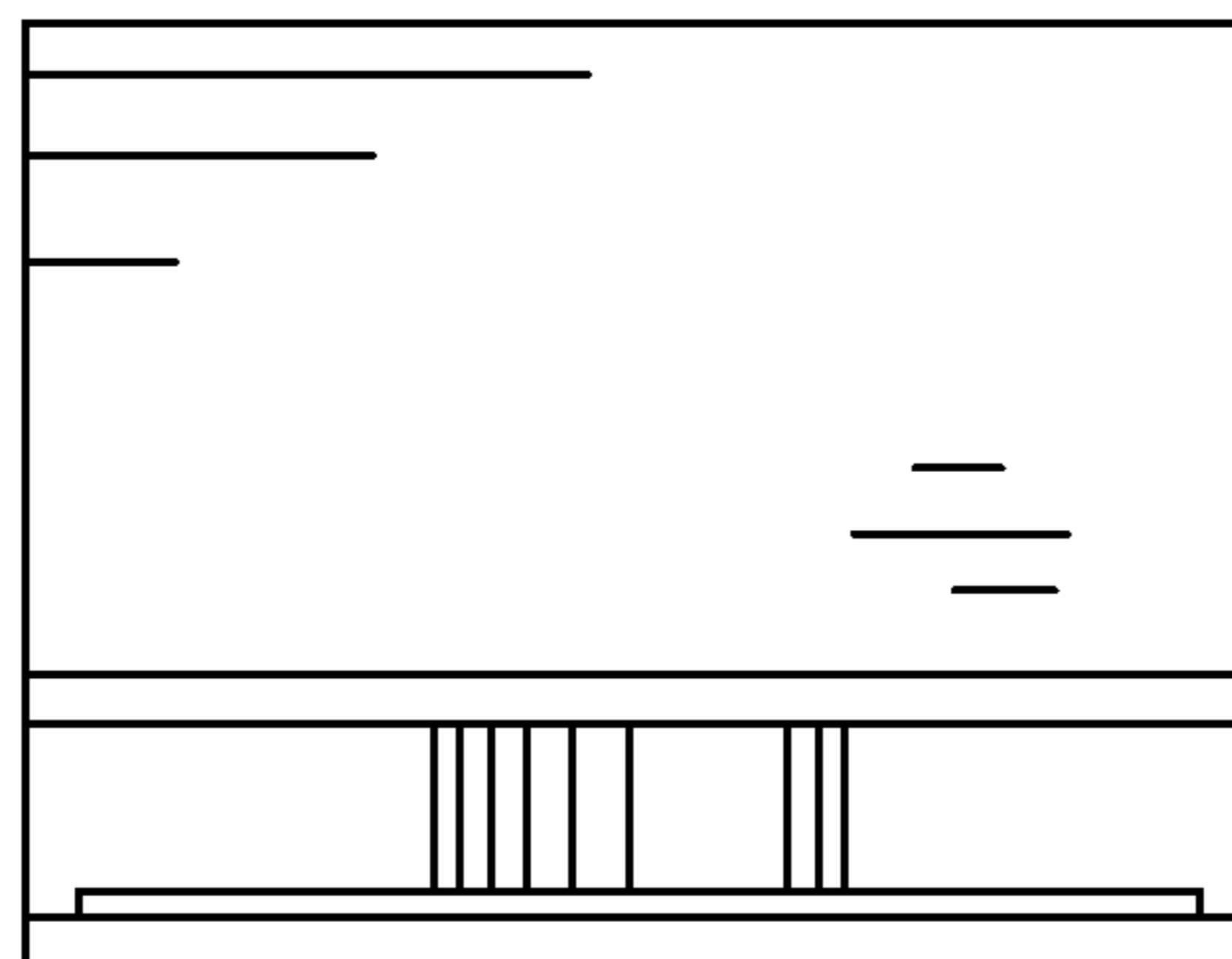


Fig. 3

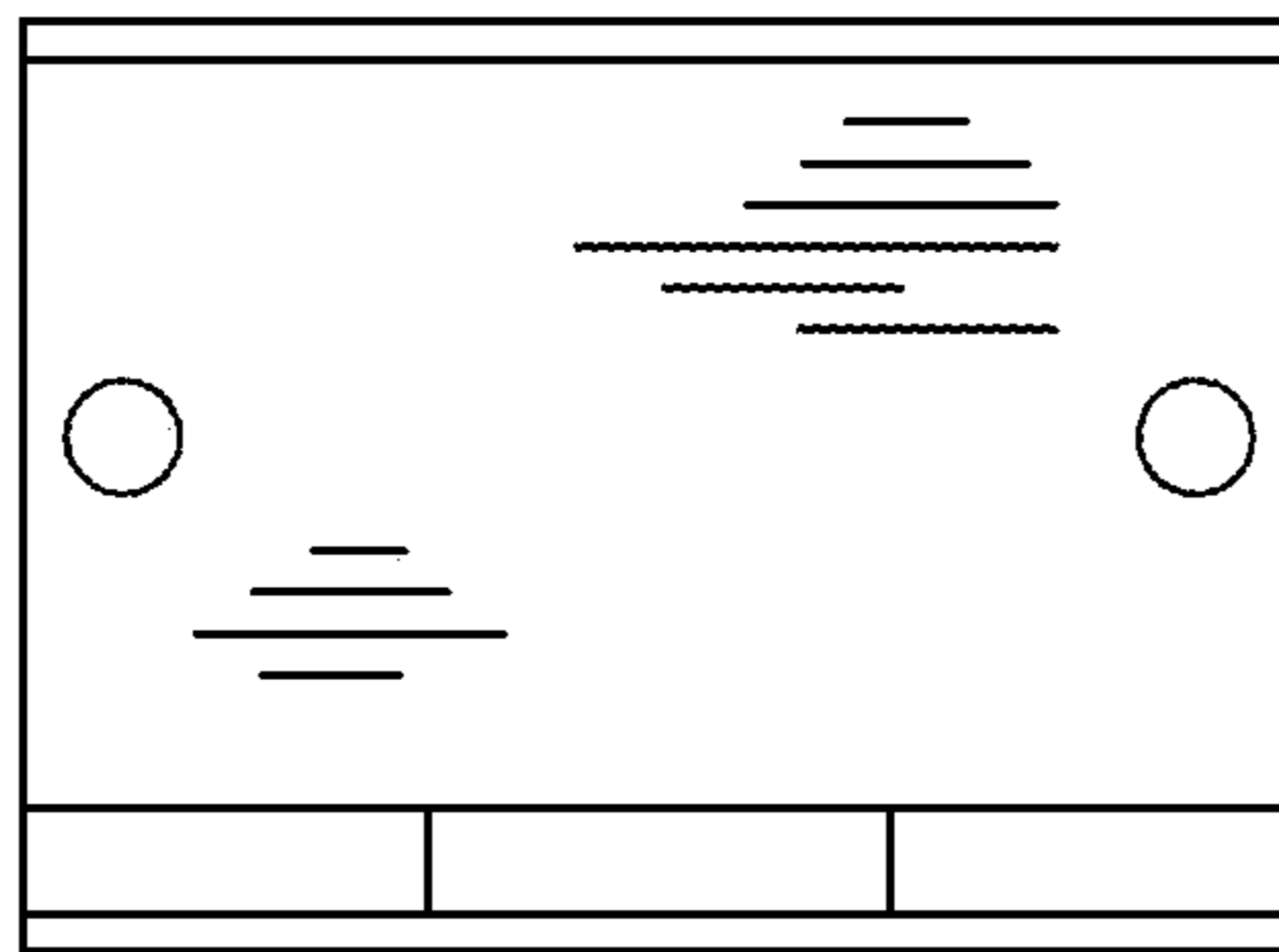


Fig. 4

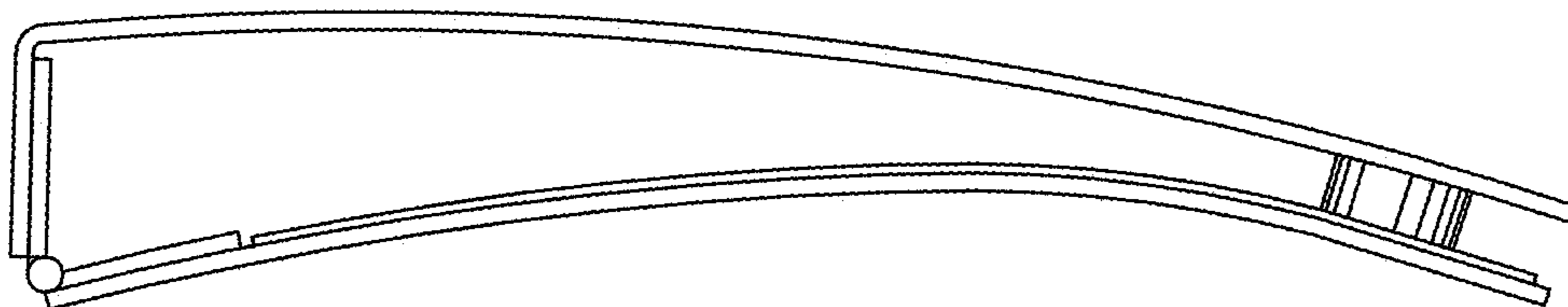


Fig. 5



Fig. 6

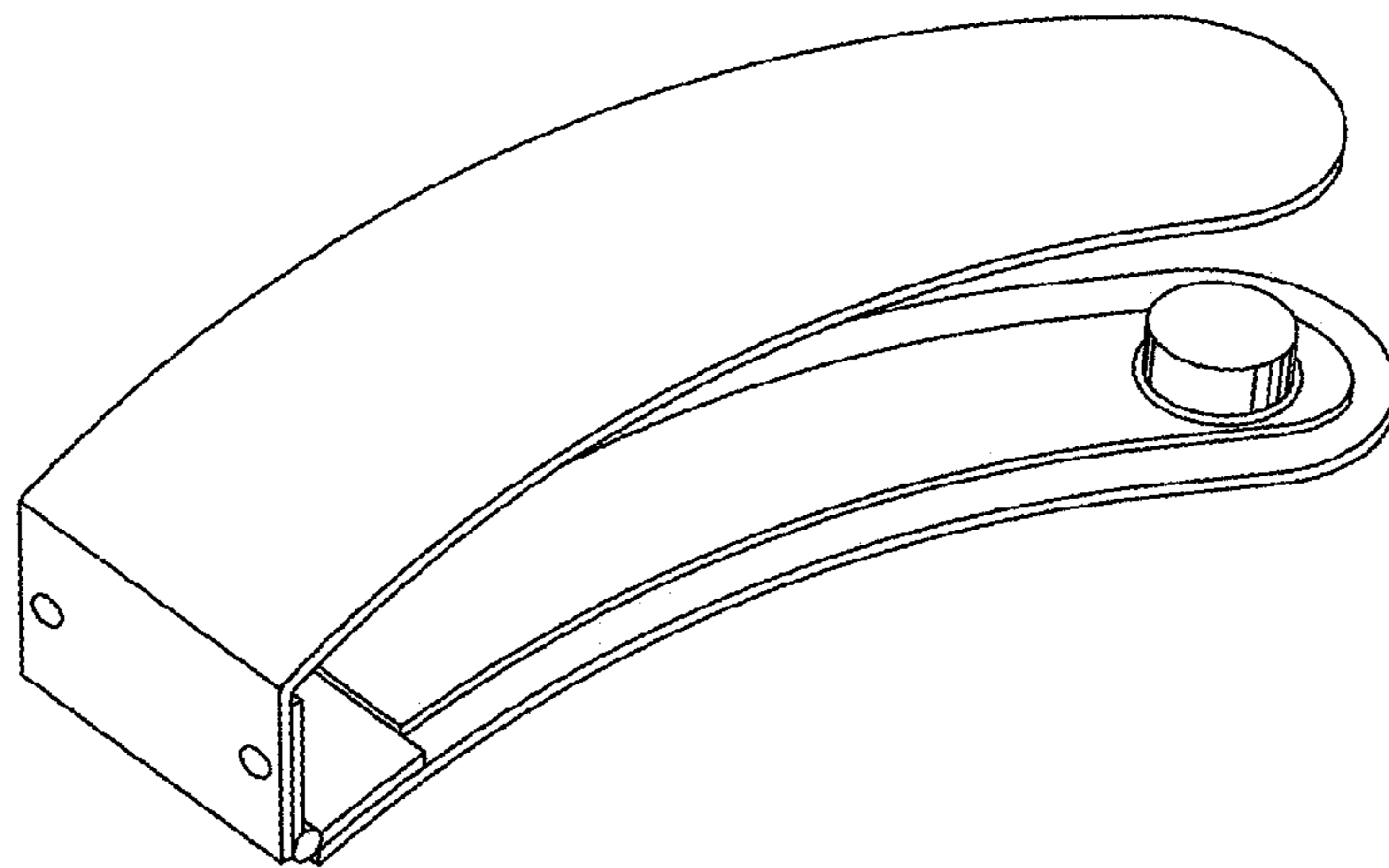


Fig. 7



Fig. 8

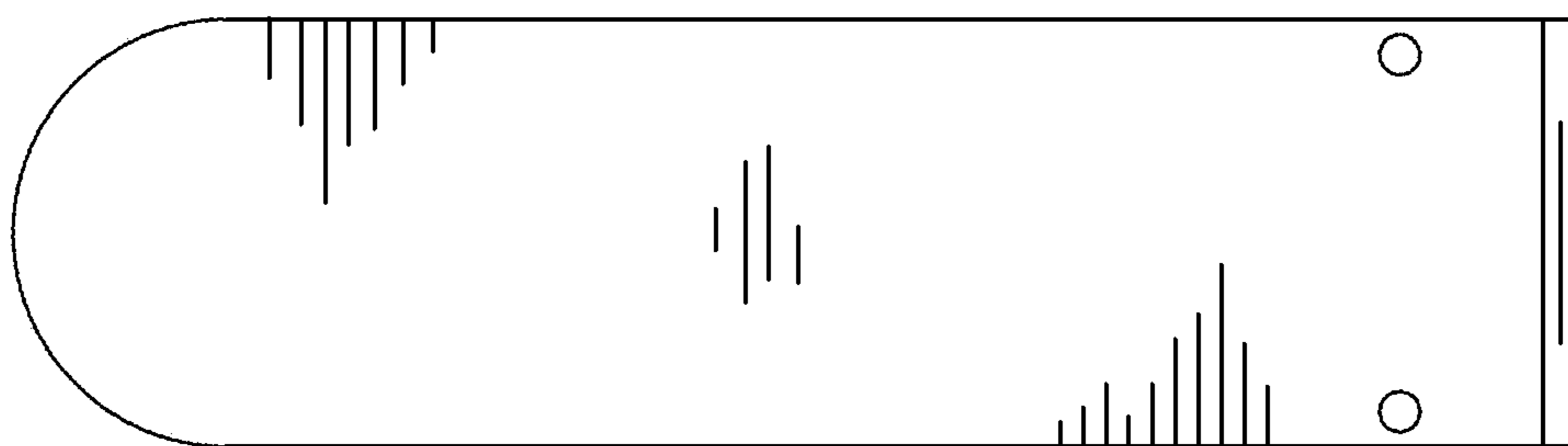


Fig. 9

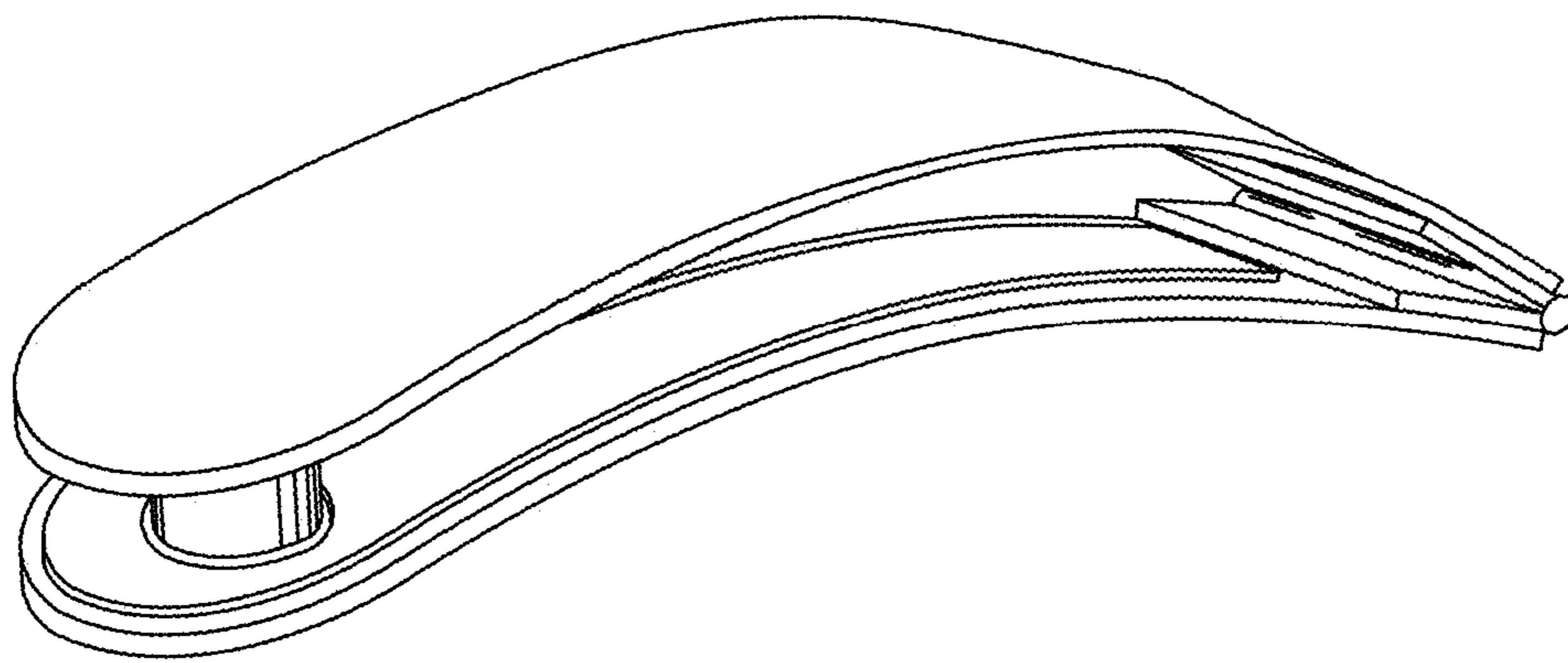


Fig. 10

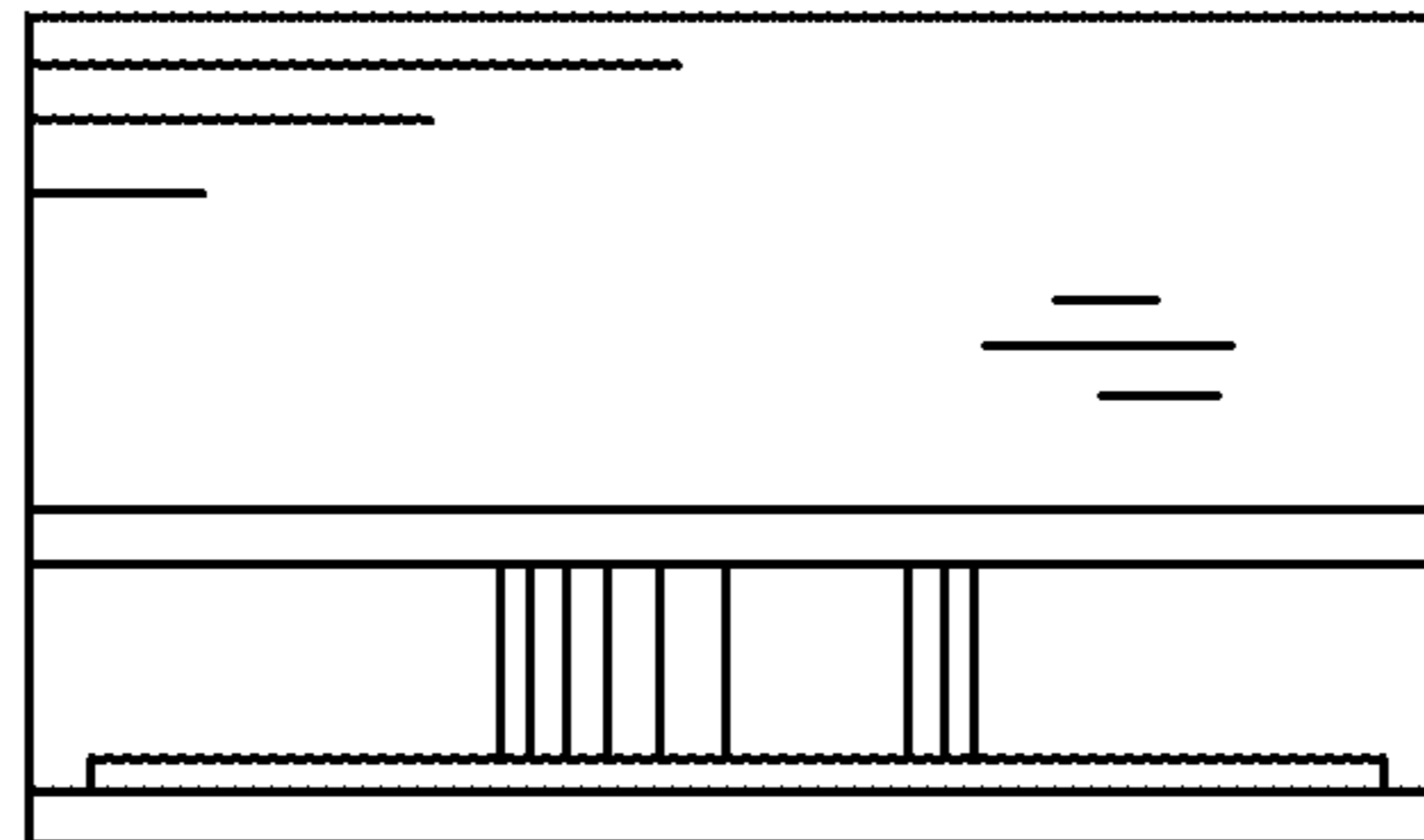


Fig. 11

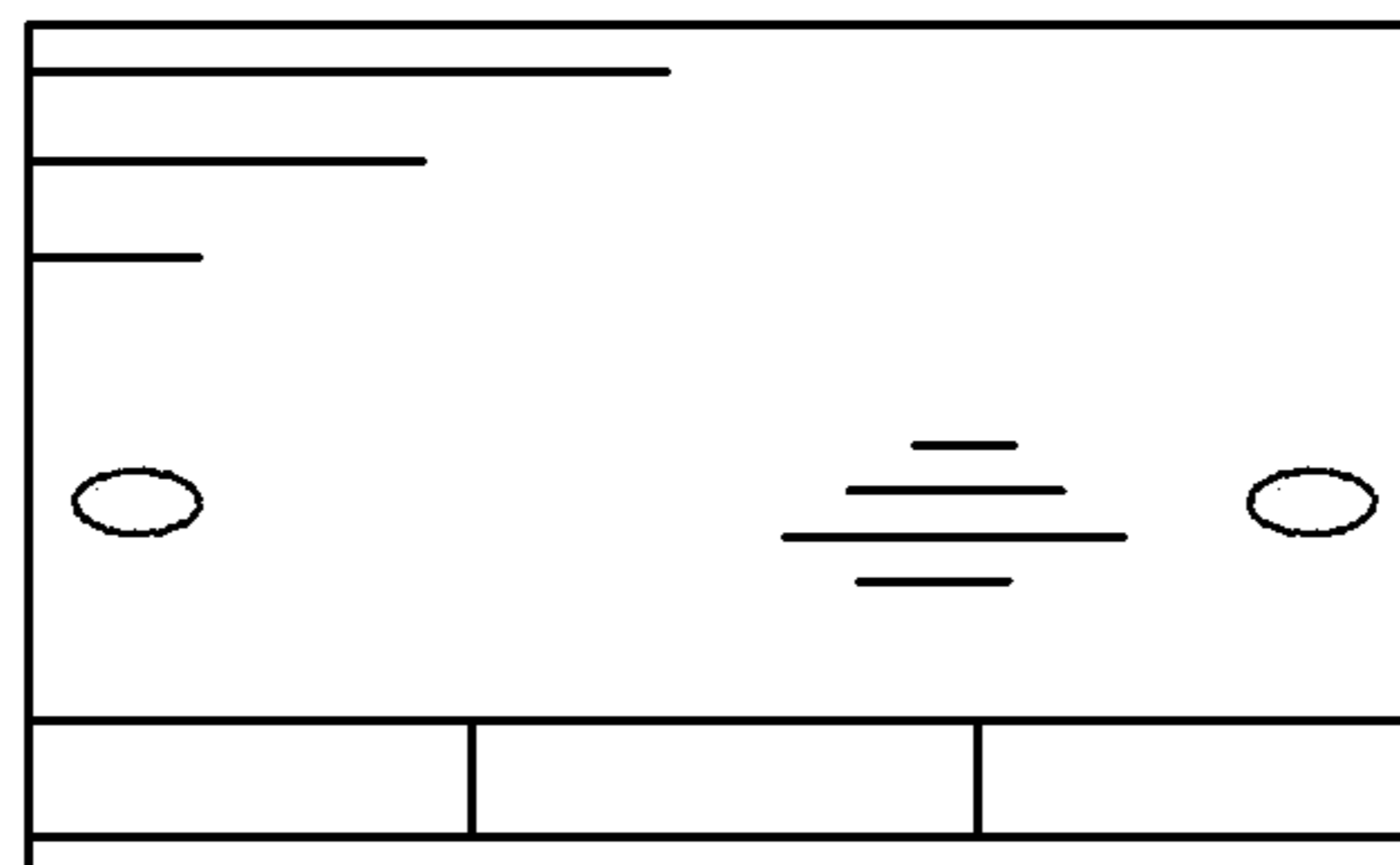


Fig. 12

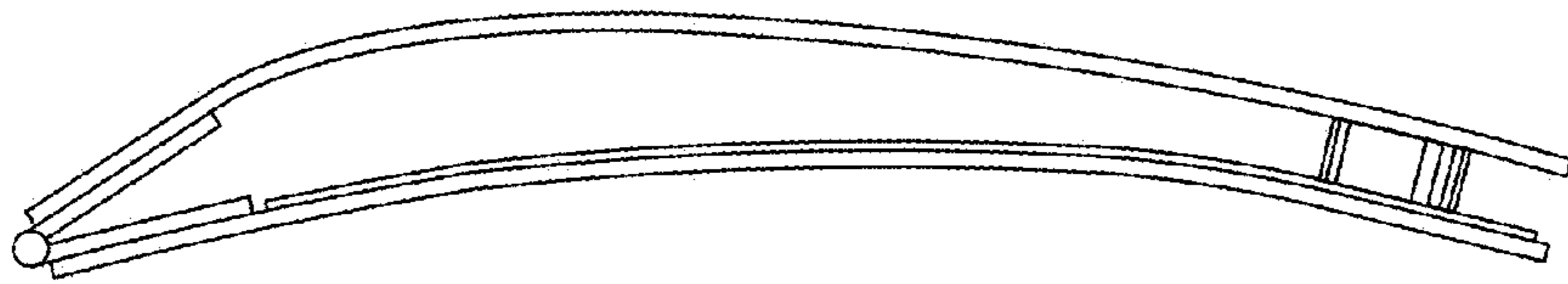


Fig. 13

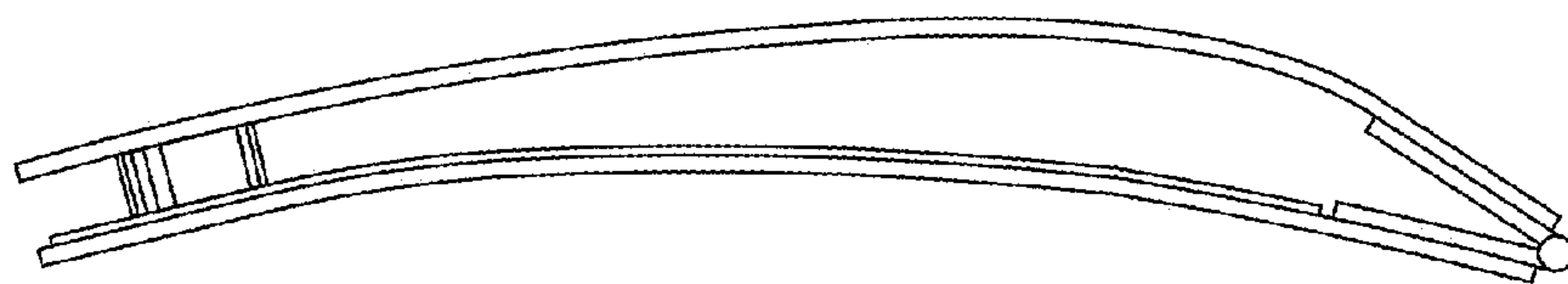


Fig. 14

