



US00D716182S

(12) **United States Design Patent**
McAdams

(10) **Patent No.:** **US D716,182 S**

(45) **Date of Patent:** **** Oct. 28, 2014**

(54) **TIE BAR**

(71) Applicant: **Matthew Austin McAdams**, San Diego,
CA (US)

(72) Inventor: **Matthew Austin McAdams**, San Diego,
CA (US)

(**) Term: **14 Years**

(21) Appl. No.: **29/472,689**

(22) Filed: **Nov. 14, 2013**

(51) **LOC (10) Cl.** **02-07**

(52) **U.S. Cl.**
USPC **D11/202**

(58) **Field of Classification Search**
CPC A44B 6/00; A44B 21/00; A44B 9/12
USPC D11/200-220, 78.1, 222; D20/22;
D3/215, 247, 249; D8/394, 395; 24/60,
24/455, 485, 563, 564, 72.1, 49.1, 52,
24/166.4, 66.13, 56.3; D2/609, 639;
2/232; D32/61

See application file for complete search history.

(56) **References Cited**

U.S. PATENT DOCUMENTS

D58,153 S * 6/1921 Maker et al. D11/202
1,381,846 A * 6/1921 Maker et al. 24/66.13

D78,374 S * 4/1929 Baer D11/202
D97,353 S * 10/1935 Lester D11/202
D146,758 S * 5/1947 Anderson D11/202
D156,634 S * 12/1949 Lang D11/202
D160,003 S * 9/1950 Moulson D11/202
D248,960 S * 8/1978 Iverson D20/23
D363,453 S * 10/1995 Herdt D11/78.1
D364,269 S * 11/1995 Sabosky D3/207
6,457,218 B1 * 10/2002 Lawrence 24/563
D479,907 S * 9/2003 Ruiz D3/215

* cited by examiner

Primary Examiner — Ralf Seifert

(74) *Attorney, Agent, or Firm* — Knobbe Martens Olson &
Bear LLP

(57) **CLAIM**

The ornamental design for a tie bar, as shown and described.

DESCRIPTION

FIG. 1 is a perspective view of an embodiment of a tie bar in accordance with the present invention.

FIG. 2 is a front view of the tie bar in FIG. 1.

FIG. 3 is a rear view of the tie bar in FIG. 1.

FIG. 4 is a top view of the tie bar in FIG. 1.

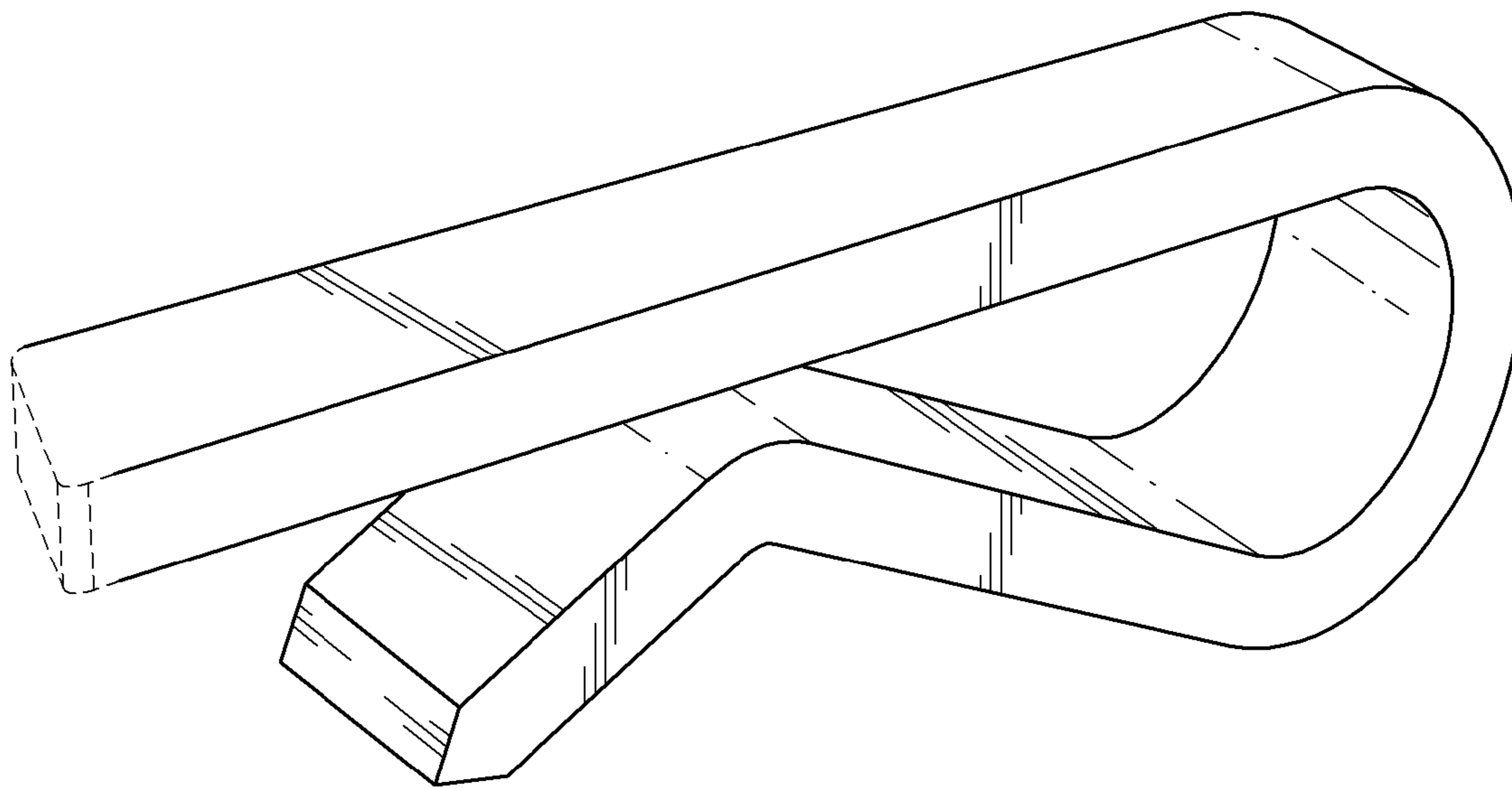
FIG. 5 is a bottom view of the tie bar in FIG. 1.

FIG. 6 is a left side view of the tie bar in FIG. 1; and,

FIG. 7 is a right side view of the tie bar in FIG. 1.

Broken lines are used to illustrate features of the tie bar which form no part of the claimed design.

1 Claim, 4 Drawing Sheets



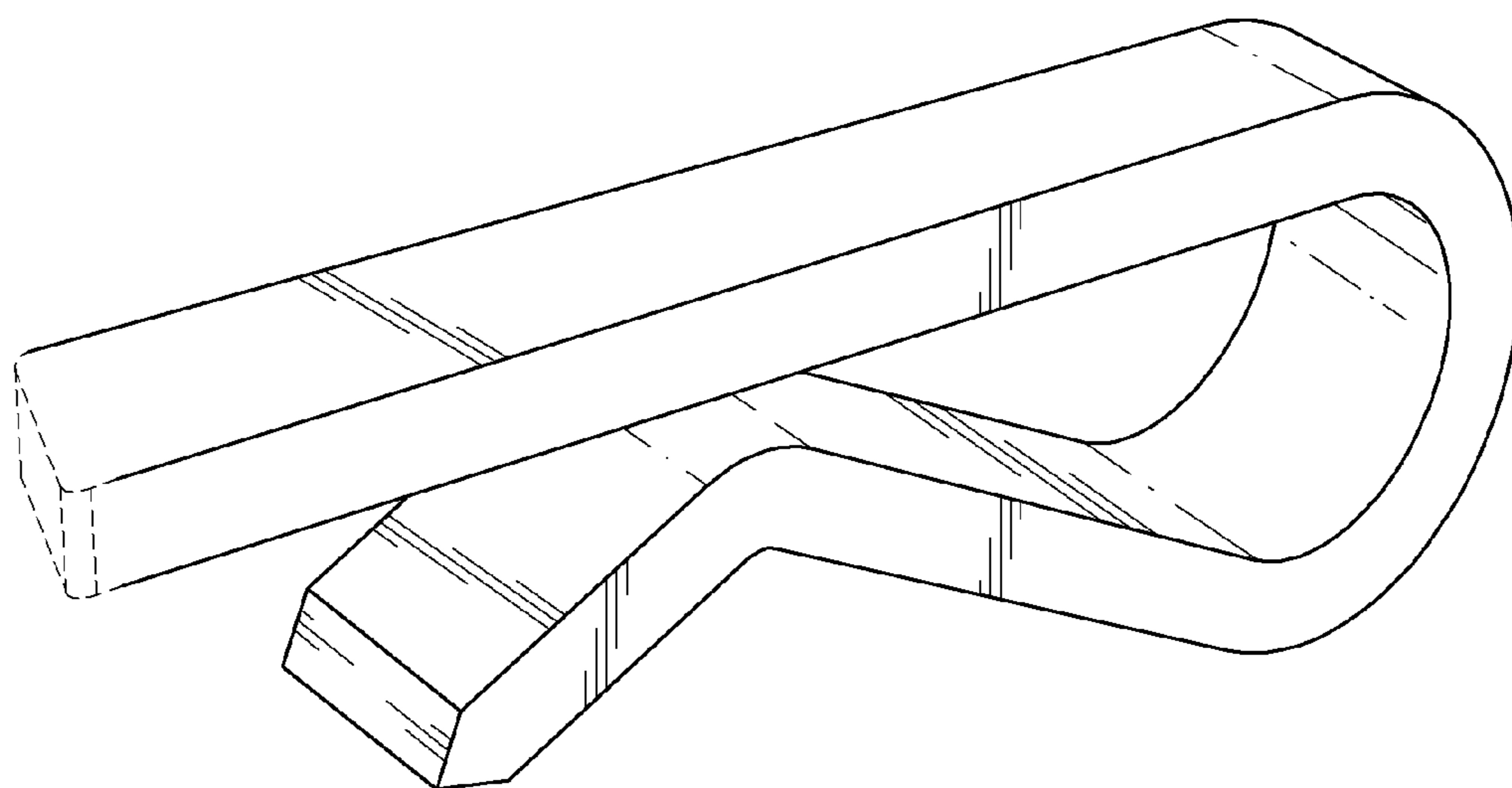


FIG. 1



FIG. 2



FIG. 3

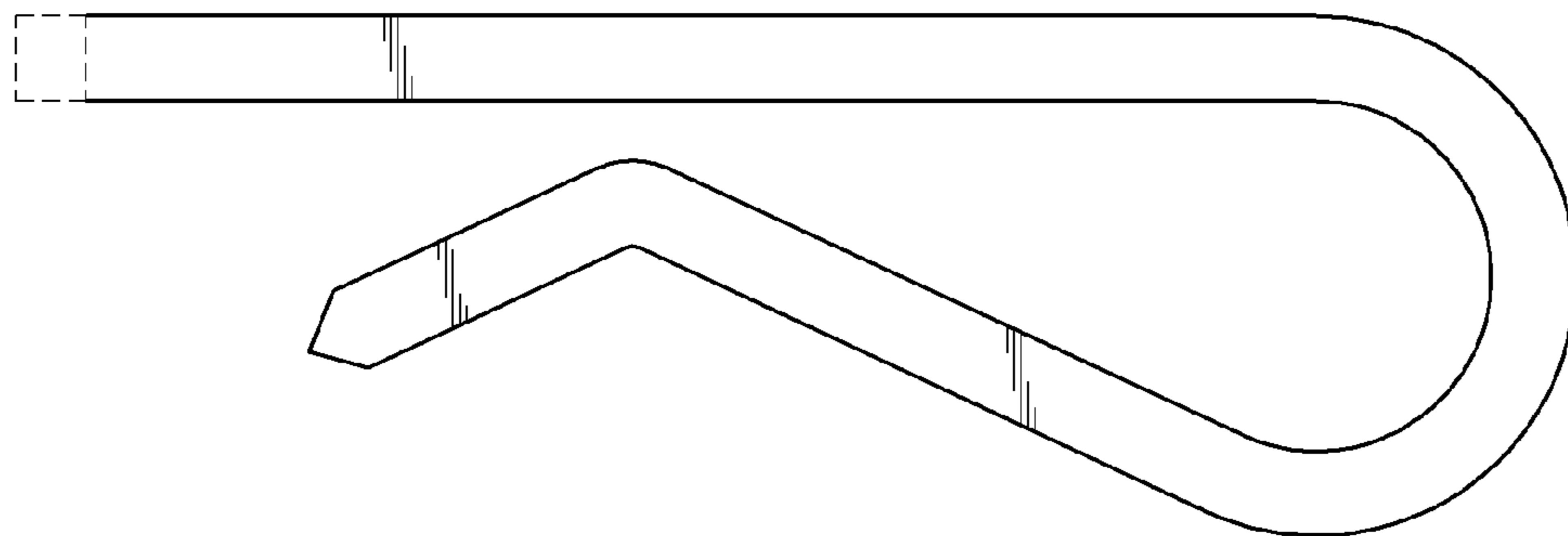


FIG. 4

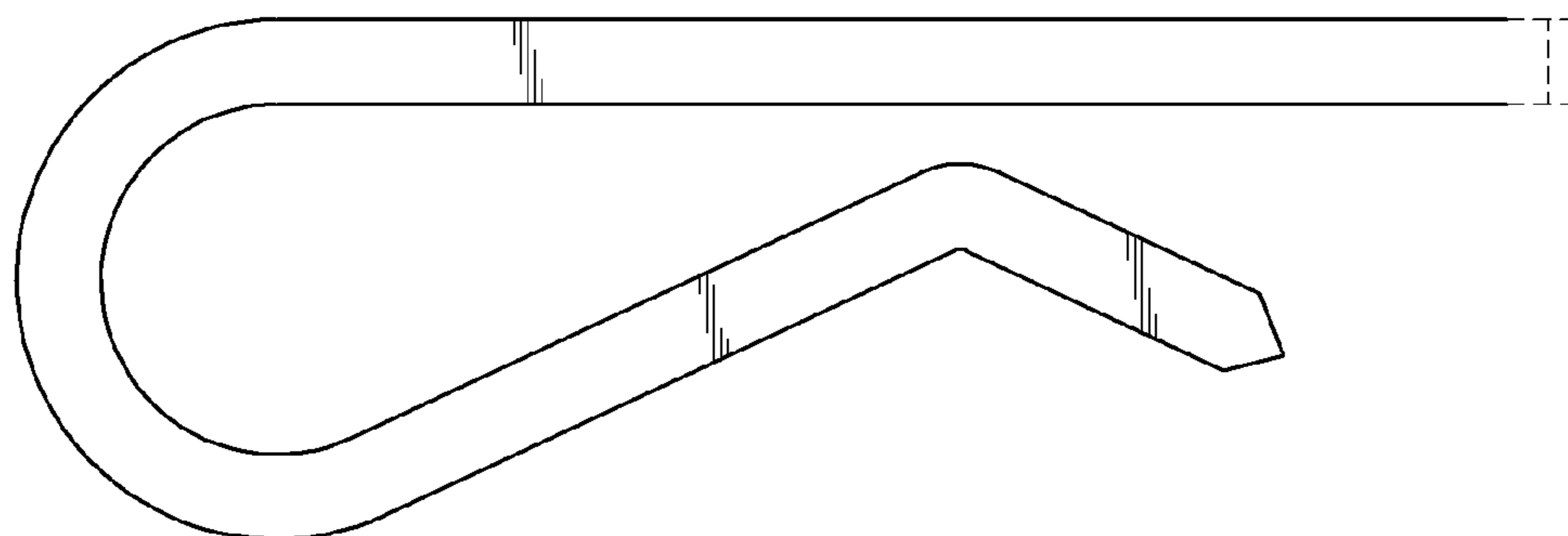


FIG. 5

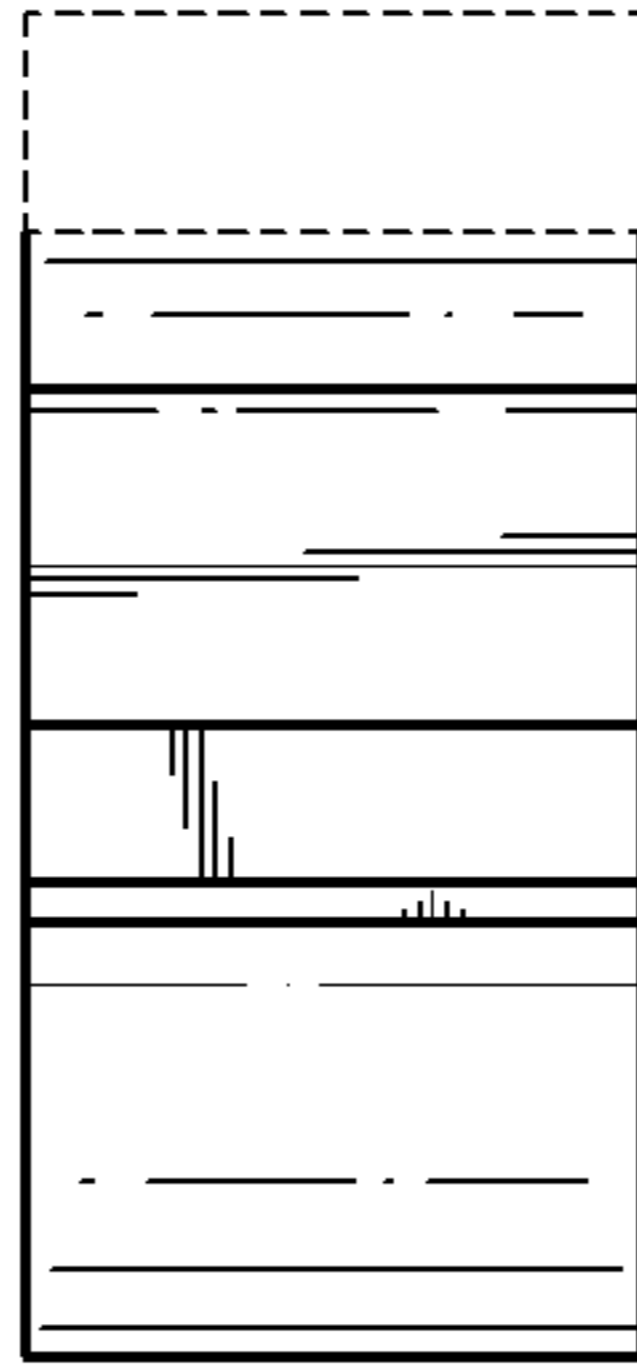


FIG. 6

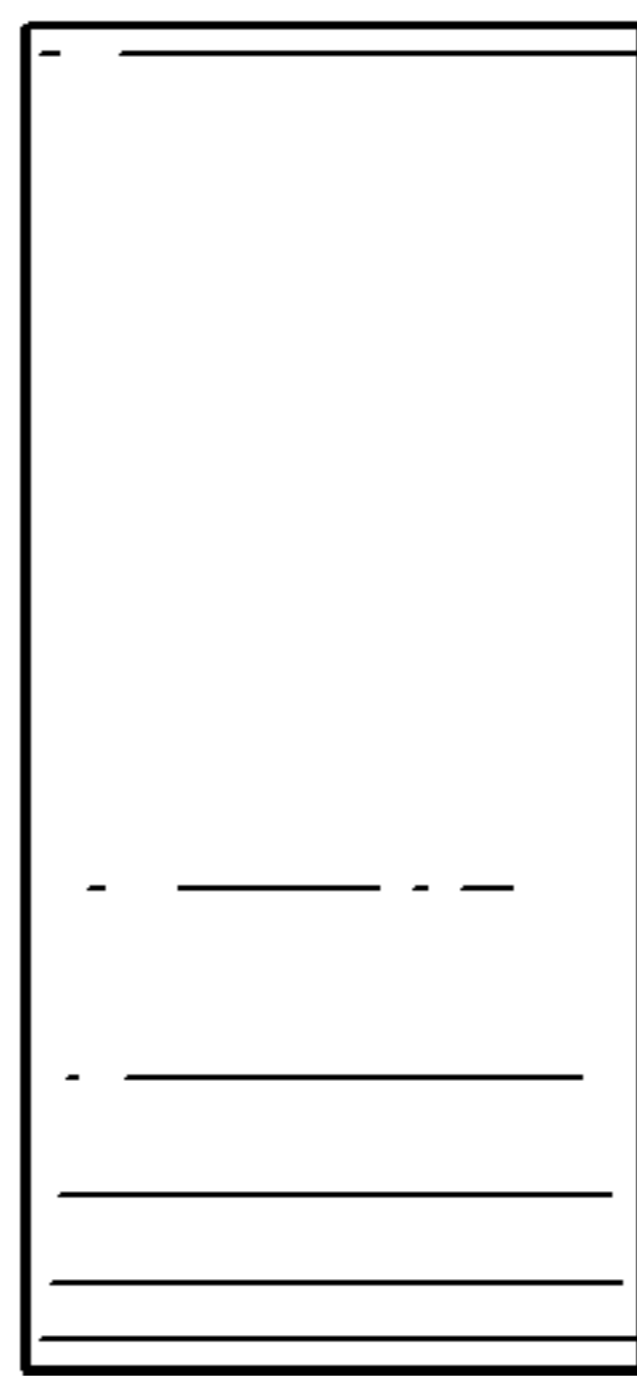


FIG. 7