



US00D716181S

(12) **United States Design Patent**  
**McAdams**

(10) **Patent No.:** **US D716,181 S**

(45) **Date of Patent:** **\*\* Oct. 28, 2014**

(54) **TIE BAR**

(71) Applicant: **Matthew Austin McAdams**, San Diego,  
CA (US)

(72) Inventor: **Matthew Austin McAdams**, San Diego,  
CA (US)

(\*\*) Term: **14 Years**

(21) Appl. No.: **29/455,103**

(22) Filed: **May 16, 2013**

(51) **LOC (10) Cl.** ..... **02-07**

(52) **U.S. Cl.**  
USPC ..... **D11/202**

(58) **Field of Classification Search**  
CPC ..... A44B 6/00; A44B 21/00; A44B 9/12  
USPC ..... D11/200-220, 78.1, 222; D20/22;  
D3/215, 247, 249; D8/394, 395; 24/60,  
24/455, 485, 563, 564, 72.1, 49.1, 52,  
24/166.4, 66.13, 56.3; D2/609, 639;  
2/232; D32/61

See application file for complete search history.

(56) **References Cited**

**U.S. PATENT DOCUMENTS**

D58,153 S \* 6/1921 Maker et al. .... D11/202  
1,381,846 A \* 6/1921 Maker et al. .... 24/66.13

D78,374 S \* 4/1929 Baer ..... D11/202  
D97,353 S \* 10/1935 Lester ..... D11/202  
D146,758 S \* 5/1947 Anderson ..... D11/202  
D156,634 S \* 12/1949 Lang ..... D11/202  
D160,003 S \* 9/1950 Moulson ..... D11/202  
D248,960 S \* 8/1978 Iverson ..... D20/23  
D363,453 S \* 10/1995 Herdt ..... D11/78.1  
D364,269 S \* 11/1995 Sabosky ..... D3/207  
6,457,218 B1 \* 10/2002 Lawrence ..... 24/563  
D479,907 S \* 9/2003 Ruiz ..... D3/215

\* cited by examiner

*Primary Examiner* — Ralf Seifert

(74) *Attorney, Agent, or Firm* — Knobbe Martens Olson &  
Bear LLP

(57) **CLAIM**

The ornamental design for a tie bar, as shown and described.

**DESCRIPTION**

FIG. 1 is a perspective view of an embodiment of a tie bar in accordance with the present invention.

FIG. 2 is a front view of the tie bar in FIG. 1.

FIG. 3 is a rear view of the tie bar in FIG. 1.

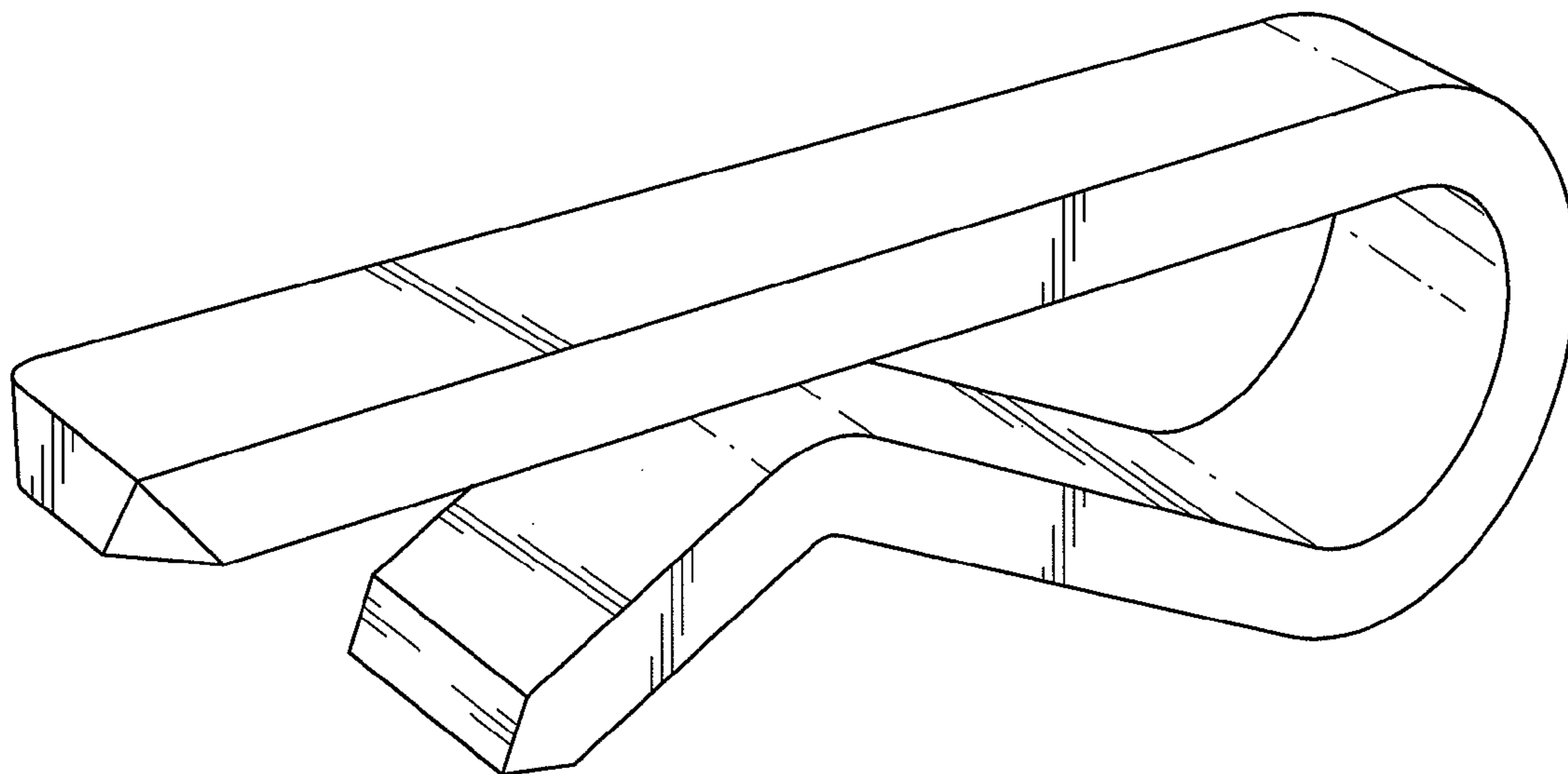
FIG. 4 is a top view of the tie bar in FIG. 1.

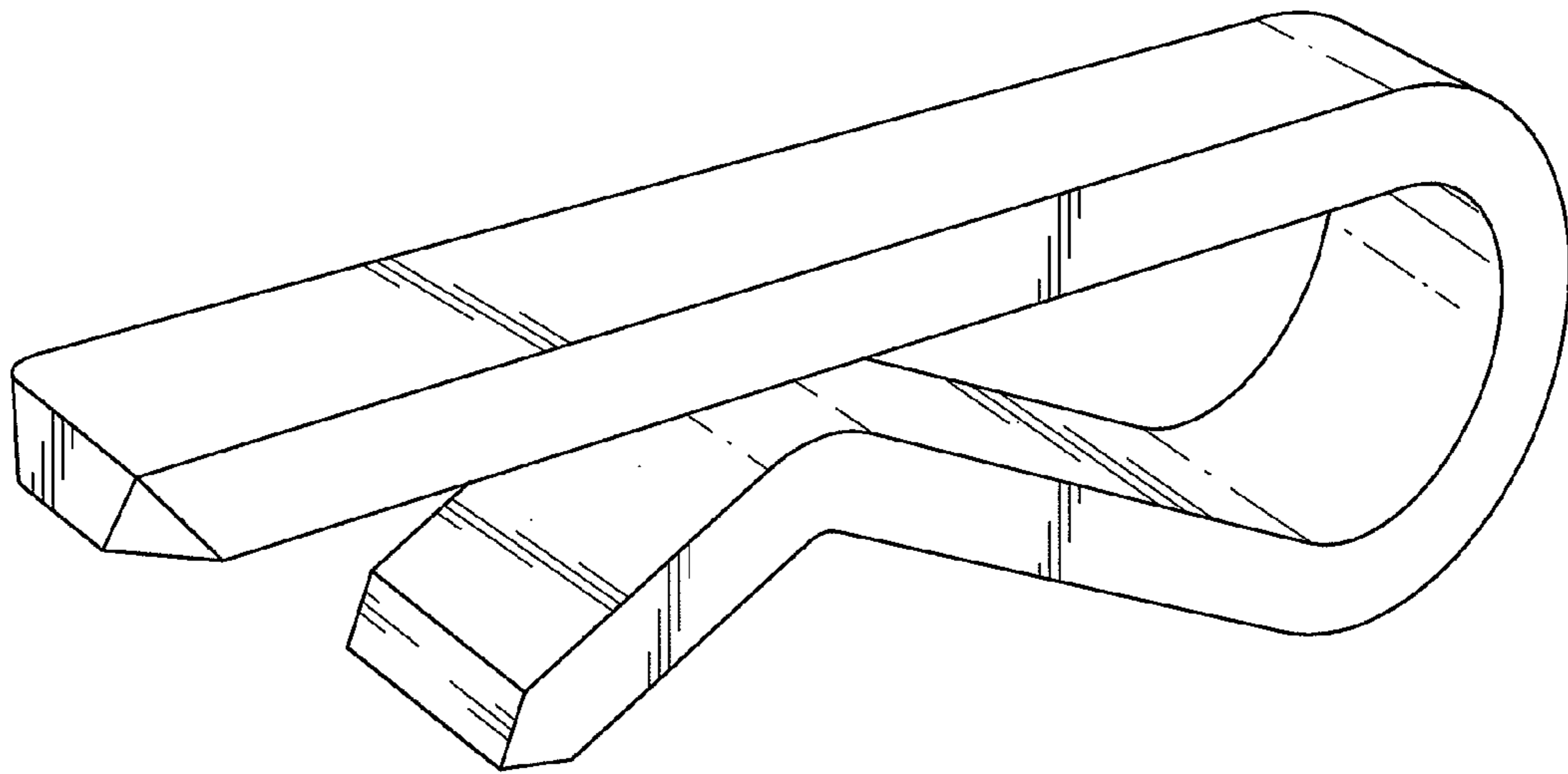
FIG. 5 is a bottom view of tie bar in FIG. 1.

FIG. 6 is a left side view of the tie bar in FIG. 1; and,

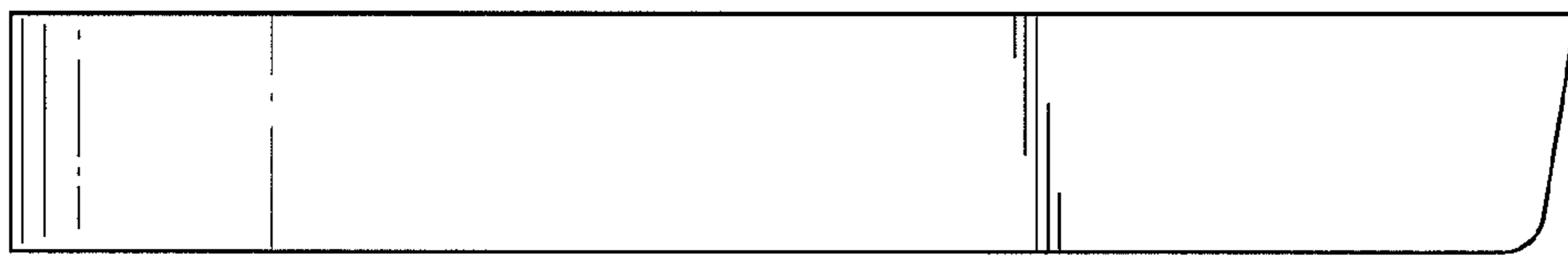
FIG. 7 is a right side view of the tie bar in FIG. 1.

**1 Claim, 4 Drawing Sheets**

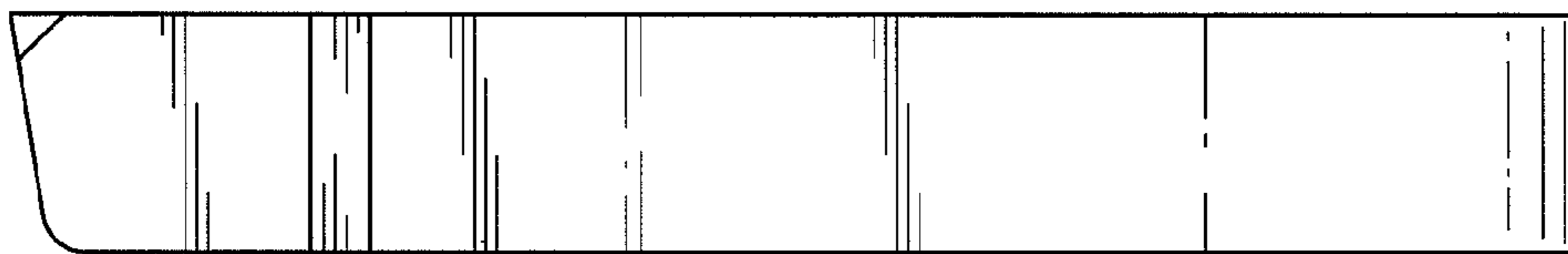




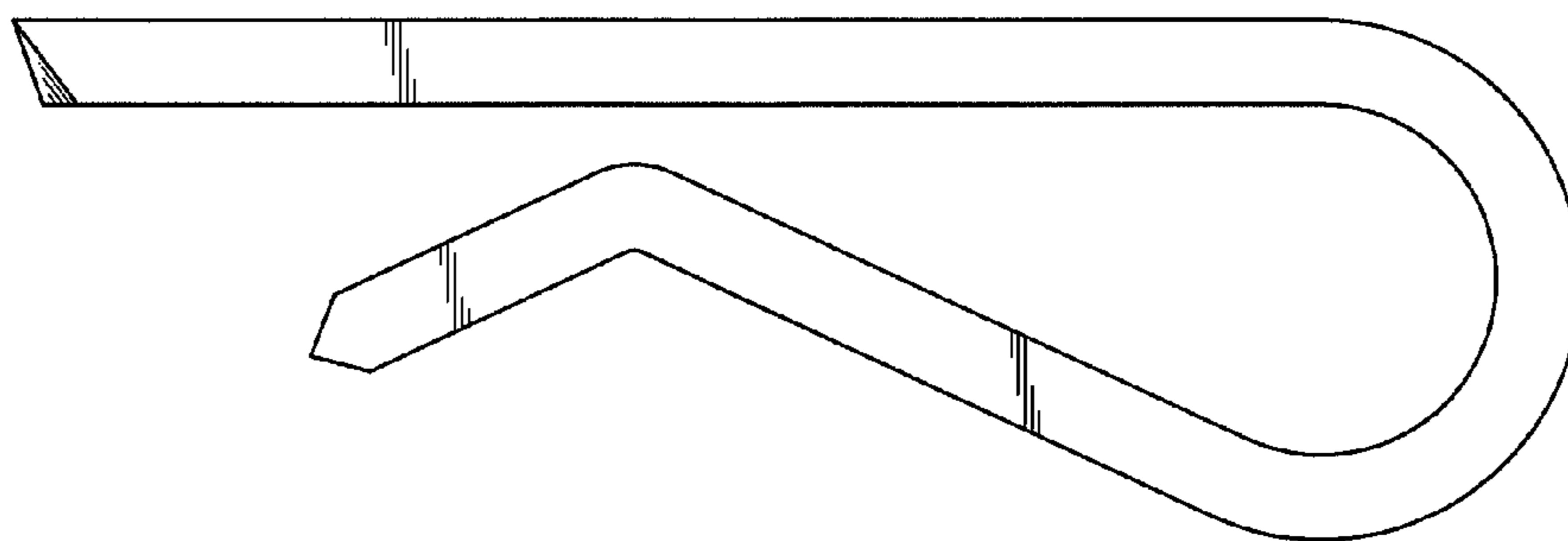
*FIG. 1*



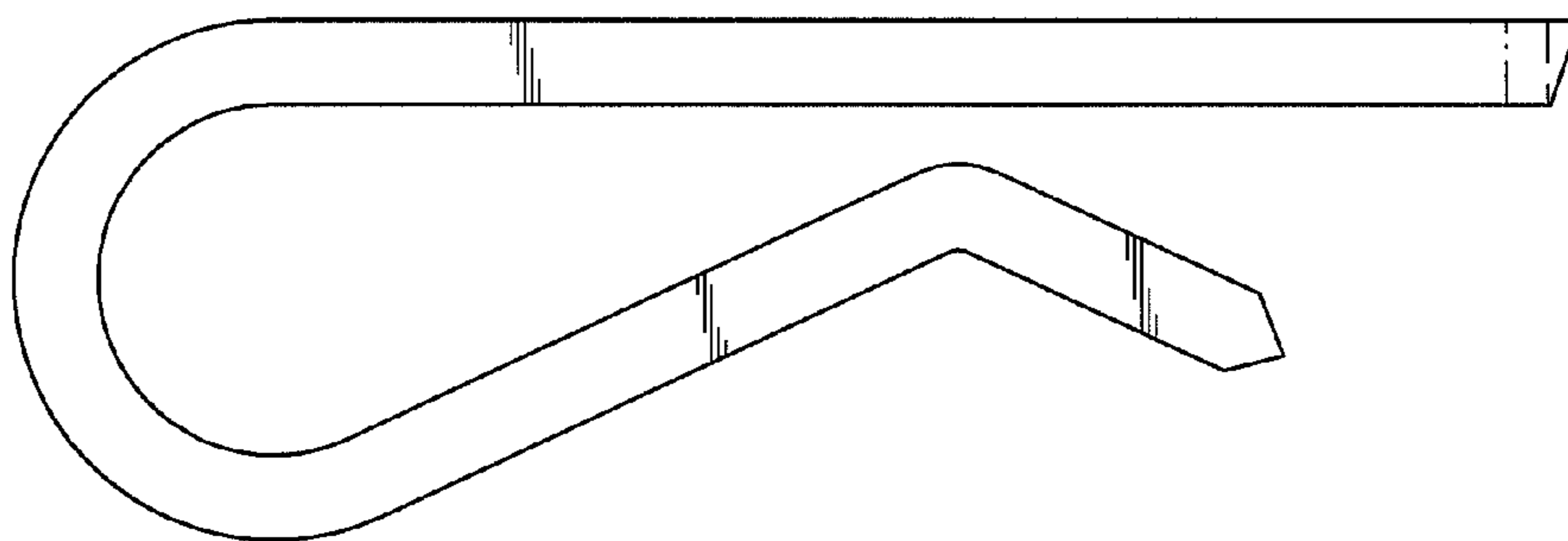
*FIG. 2*



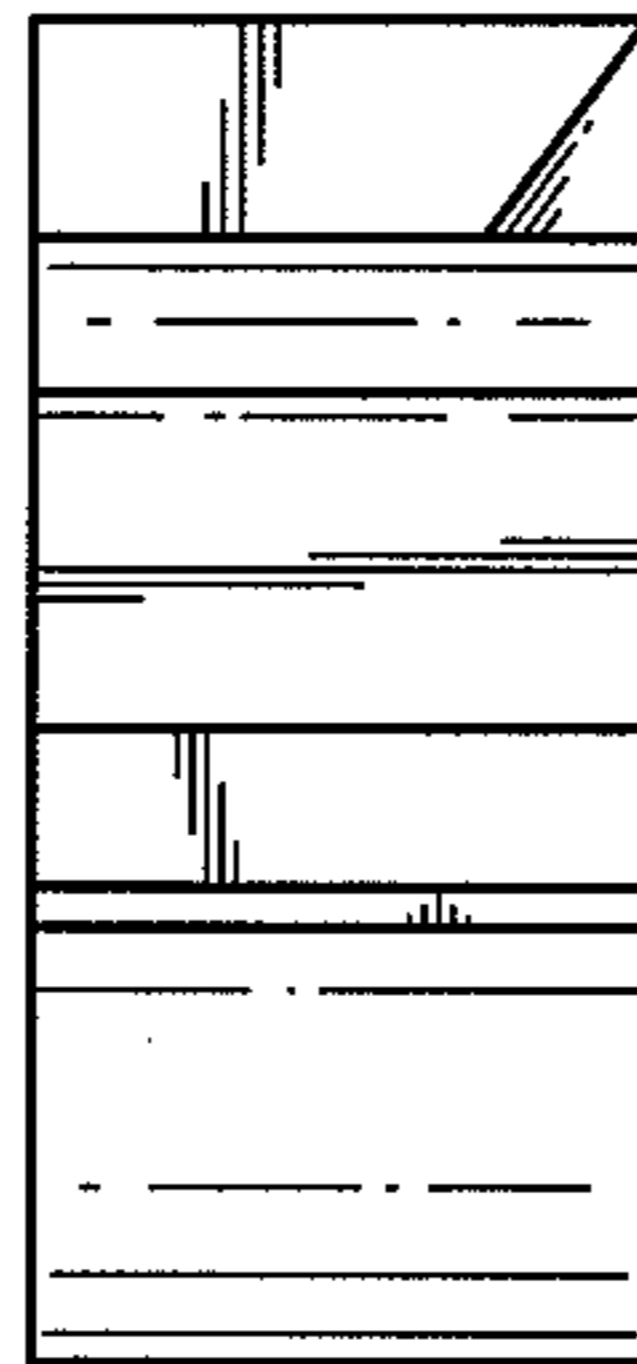
*FIG. 3*



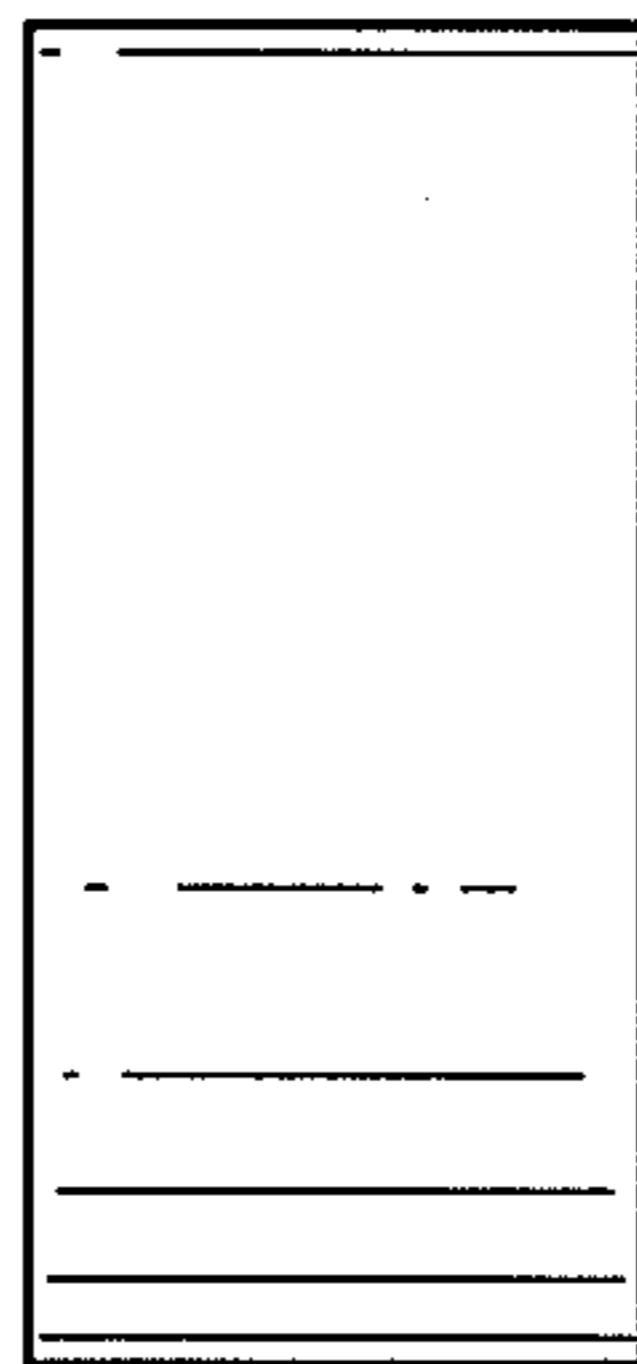
*FIG. 4*



*FIG. 5*



*FIG. 6*



*FIG. 7*