



US00D716179S

(12) **United States Design Patent**
King et al.

(10) **Patent No.:** **US D716,179 S**
(45) **Date of Patent:** **** Oct. 28, 2014**

- (54) **STACKABLE PLANTER**
- (71) Applicant: **Classic Brands, LLC**, Denver, CO (US)
- (72) Inventors: **Courtney King**, Ypsilanti, MI (US);
Errol Town, New Boston, MI (US)
- (73) Assignee: **Classic Brands, LLC**, Denver, CO (US)
- (**) Term: **14 Years**
- (21) Appl. No.: **29/459,652**
- (22) Filed: **Jul. 2, 2013**
- (51) **LOC (10) Cl.** **11-02**
- (52) **U.S. Cl.**
USPC **D11/143**
- (58) **Field of Classification Search**
USPC D6/300, 306, 403–405, 556–558;
D7/300, 500, 509; D8/1;
D11/143–156, 164; D25/100;
D26/9–11, 16, 19; D34/1, 2, 4–6;
D99/5, 19; 47/17, 32.4, 32.5, 32.7, 33,
47/39, 41.01, 41.1, 41.11–41.15, 44–46,
47/62, 63, 65.5, 65.9, 66.1, 66.2, 66.6,
47/66.7, 67–71
See application file for complete search history.

(56) **References Cited**

U.S. PATENT DOCUMENTS

D247,165 S *	2/1978	Hart	D11/144
D262,274 S *	12/1981	Lahr	D11/152
4,444,324 A *	4/1984	Grenell	215/6
D281,841 S *	12/1985	Smith	D6/404
D295,842 S	5/1988	Gay		
D306,985 S *	4/1990	Mason, Jr.	D11/143
D308,076 S *	5/1990	Gecchelin	D19/85
D310,744 S *	9/1990	Fletcher et al.	D34/1

5,309,671 A	5/1994	Byun		
D400,822 S *	11/1998	Therrien	D11/143
D467,052 S *	12/2002	Van Landingham, Jr.	D34/27
D493,384 S	7/2004	Jensen		
D522,913 S	6/2006	Kavur		
D603,181 S *	11/2009	Carlington	D6/405
D653,156 S *	1/2012	Phelps et al.	D11/143
D658,537 S *	5/2012	Simmons	D11/143
8,250,804 B2 *	8/2012	Chang	47/39
D688,896 S *	9/2013	Kassouni	D6/556
8,701,887 B2 *	4/2014	Baker et al.	206/509
2006/0032128 A1 *	2/2006	Bryan, III	47/62 R
2010/0132255 A1 *	6/2010	Webber	47/29.1
2011/0113685 A1 *	5/2011	Chang	47/39
2013/0118074 A1 *	5/2013	Fullbrook	47/62 N
2014/0109473 A1 *	4/2014	Sung	47/39

* cited by examiner

Primary Examiner — Robert M Spear

Assistant Examiner — Marissa Cash

(74) *Attorney, Agent, or Firm* — Polsinelli PC

(57) **CLAIM**

The ornamental design for a stackable planter, as shown and described.

DESCRIPTION

FIG. 1 is a front view of a stackable planter embodying our new design.

FIG. 2 is a front elevation view of FIG. 1, the rear view being identical.

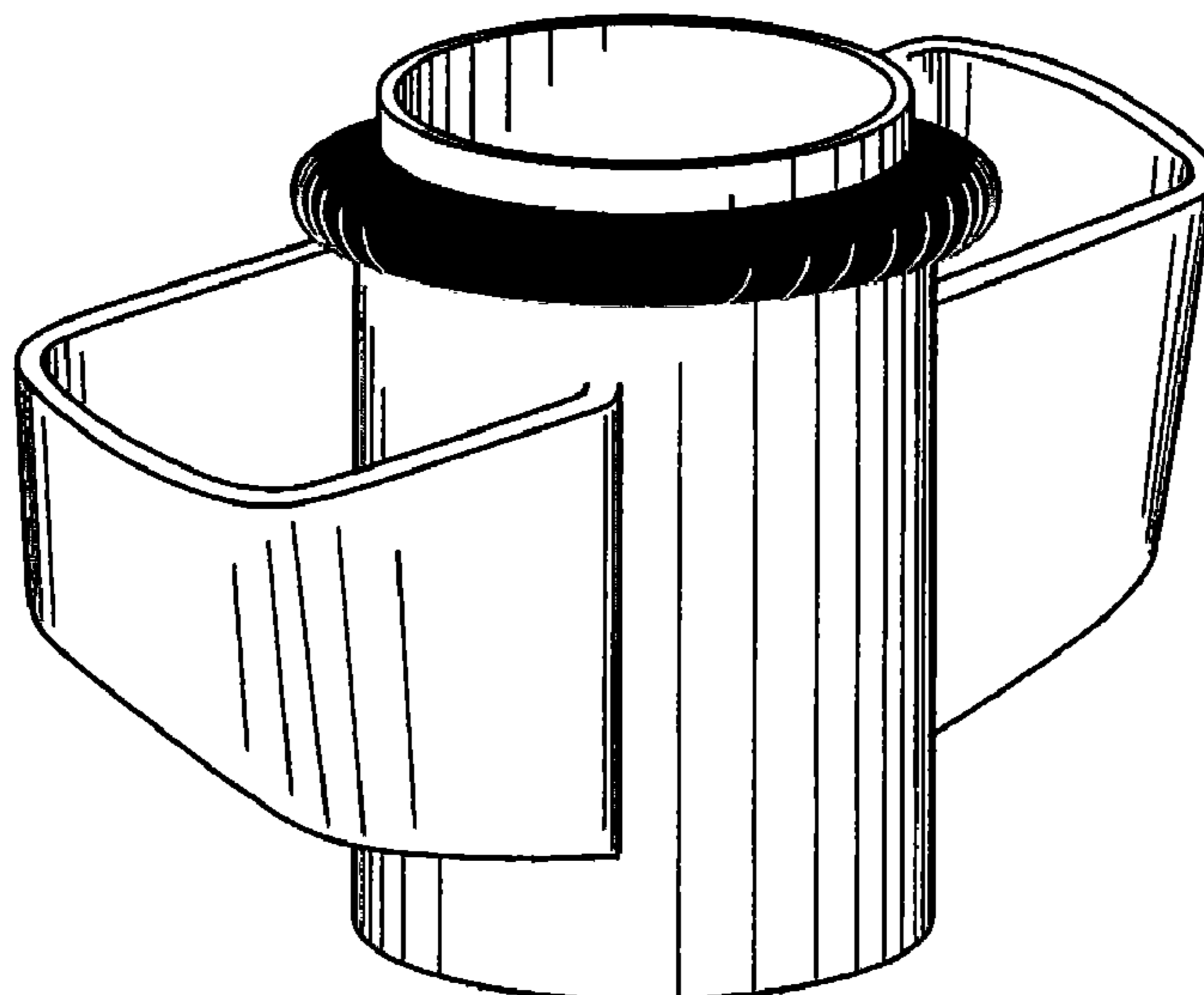
FIG. 3 is a side view thereof, the other side view being identical.

FIG. 4 is a top view thereof; and,

FIG. 5 is a bottom view thereof.

The color black in the figures represents a color contrast. The portions of figures shown in broken lines represent environment only and form no part of the claimed design.

1 Claim, 1 Drawing Sheet



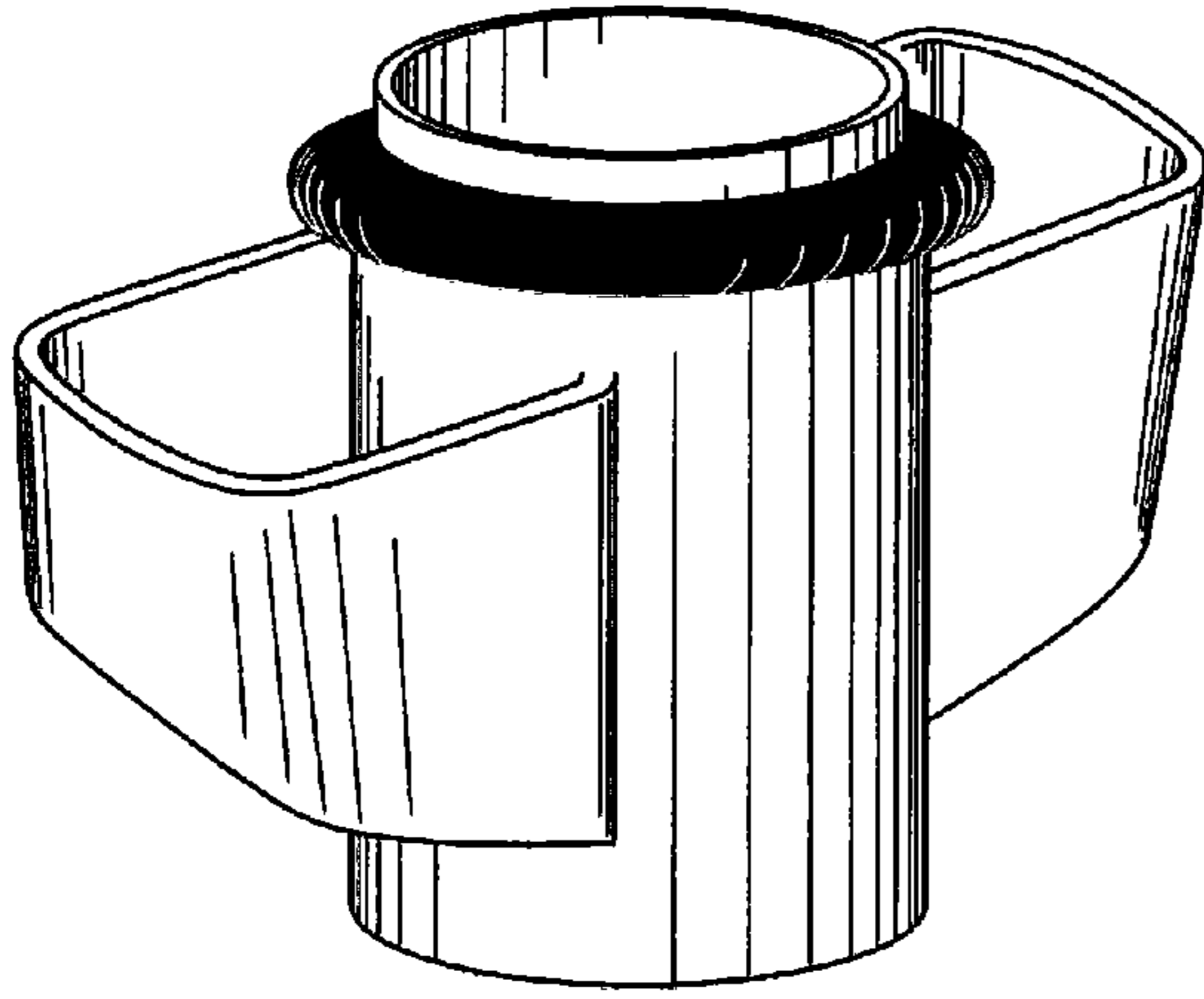


FIG. 1

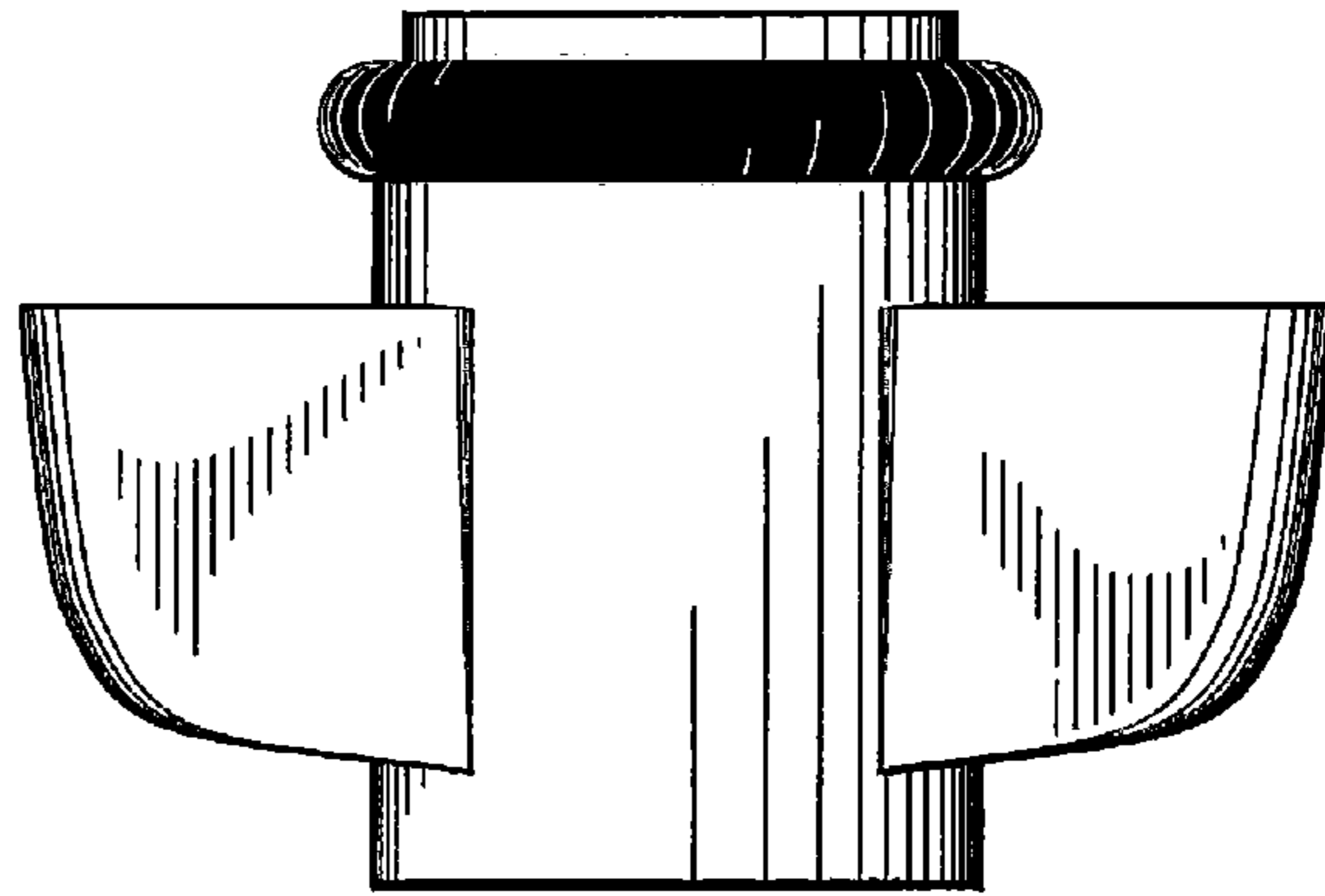


FIG. 2

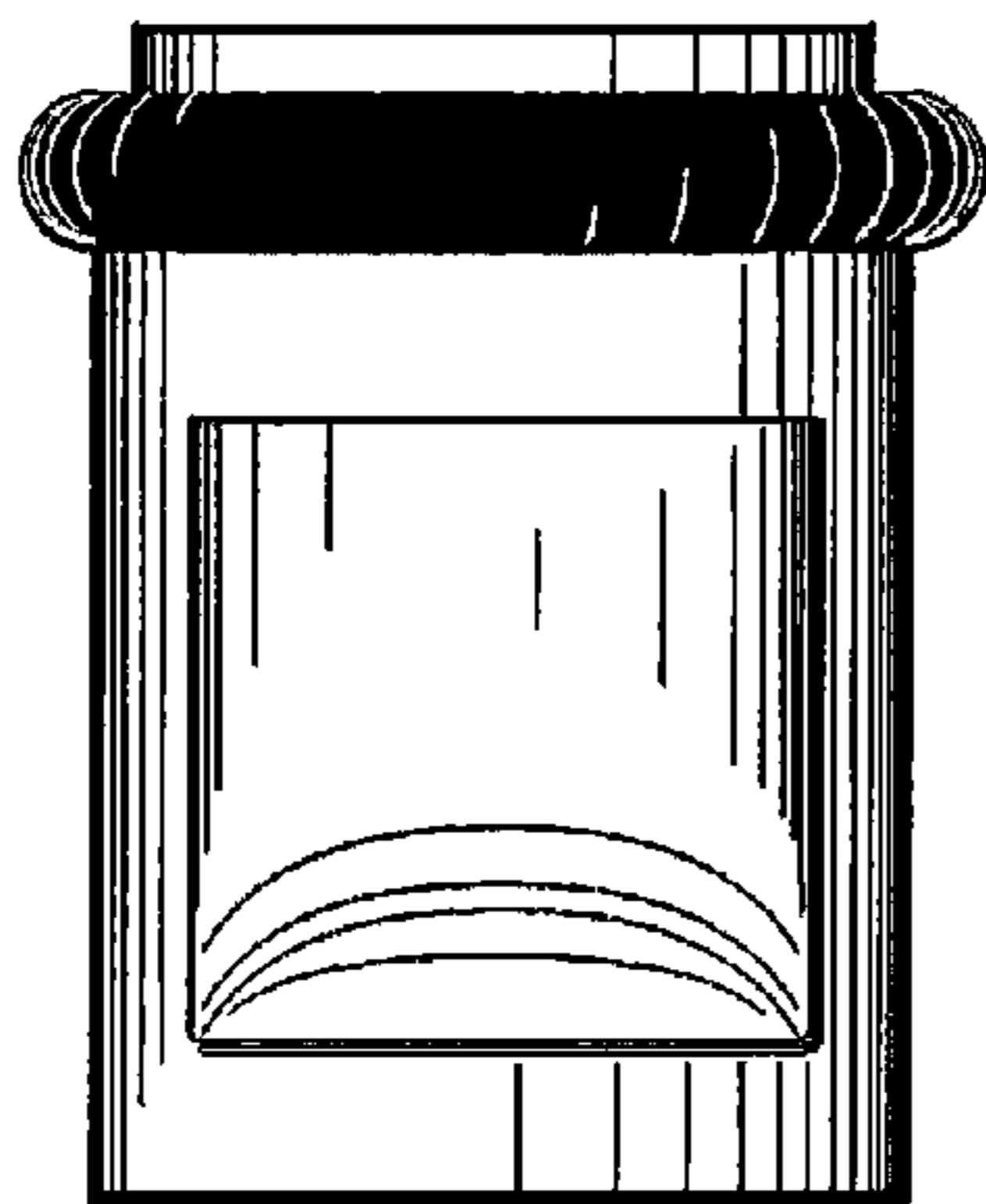


FIG. 3

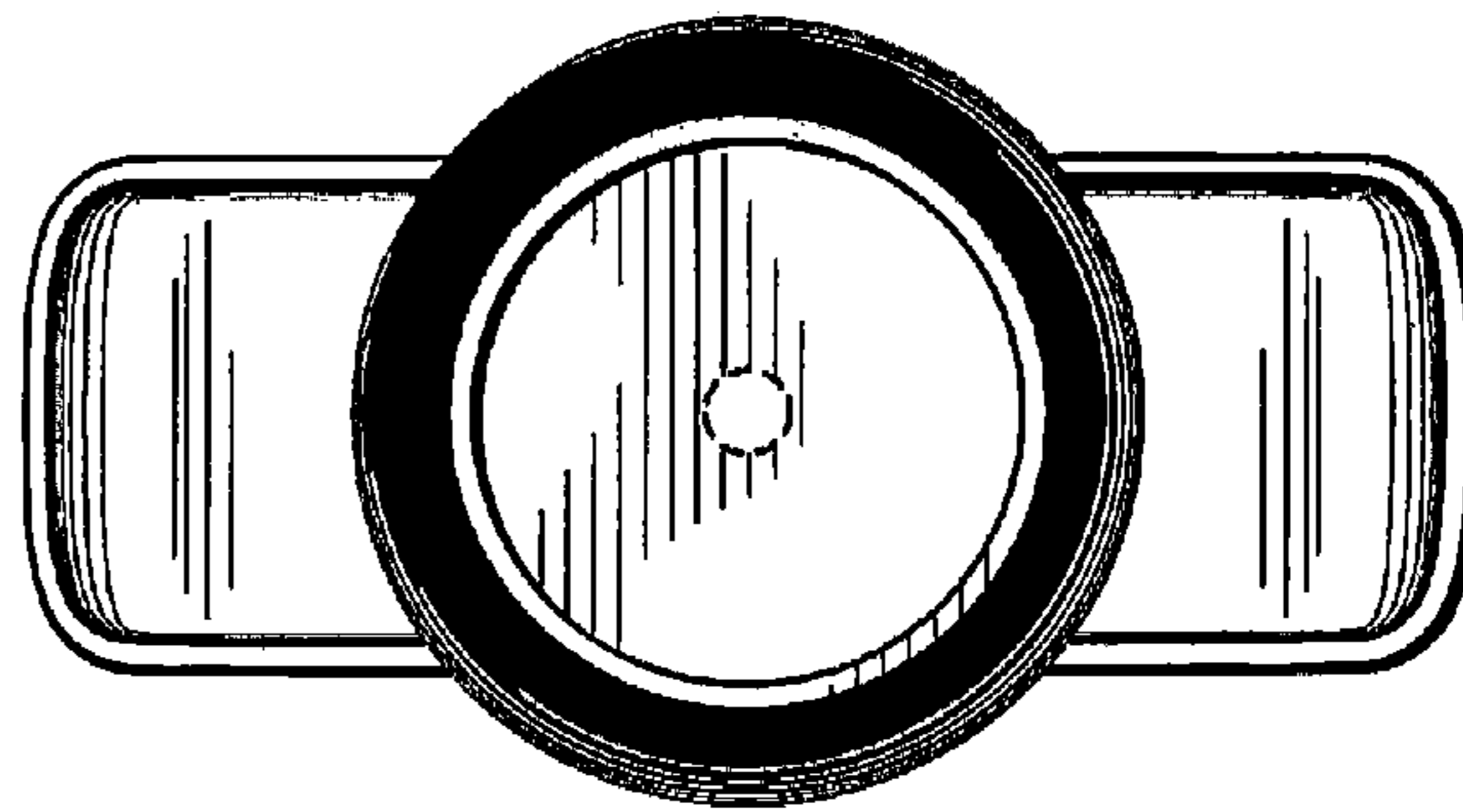


FIG. 4

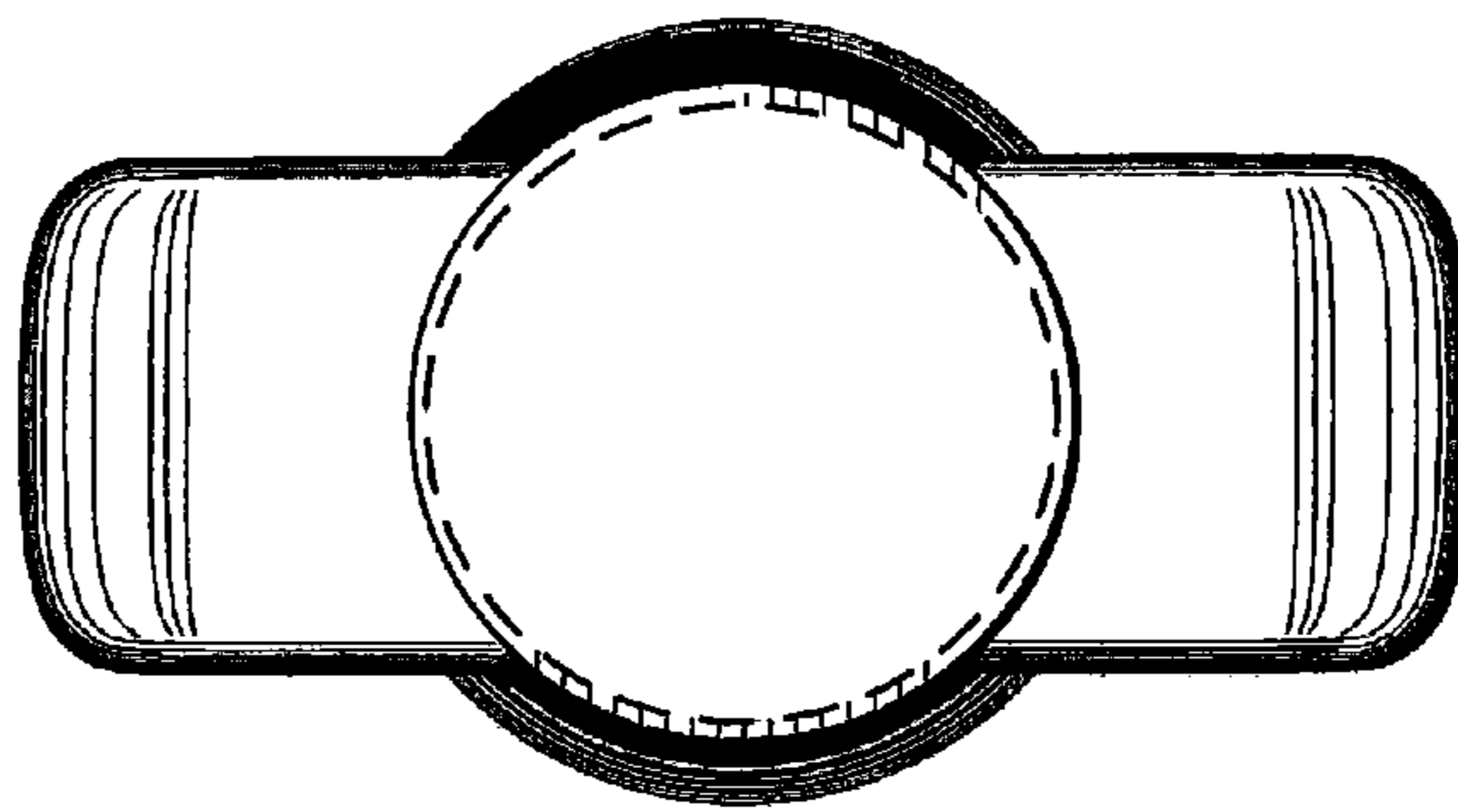


FIG. 5