



US00D716178S

(12) **United States Design Patent**
Majcher et al.

(10) **Patent No.:** **US D716,178 S**

(45) **Date of Patent:** **** Oct. 28, 2014**

(54) **ADVENT MANGER**

(56) **References Cited**

(71) Applicants: **Mary Josephine Majcher**, Orchard Lake, MI (US); **Thomas Joseph Majcher**, Orchard Lake, MI (US)

U.S. PATENT DOCUMENTS

D60,932 S *	5/1922	Becker	D11/123
D67,415 S *	5/1925	Murray	D11/130
D123,192 S *	10/1940	Schafhausen	D11/123
D138,660 S *	8/1944	Schulhof	D11/164
D148,319 S *	1/1948	Niederhausen et al.	D11/123
D175,650 S *	9/1955	Sala	D11/130
D178,438 S *	7/1956	Walker	D26/100
D182,429 S *	4/1958	Miller	D11/123
D182,430 S *	4/1958	Miller	D11/123
4,253,267 A *	3/1981	Kocolowski	446/105
D435,229 S *	12/2000	Fairman	D11/123
D564,936 S *	3/2008	Davis	D11/123
D587,161 S *	2/2009	Davis	D11/123
8,635,794 B1 *	1/2014	Thigpen et al.	40/610

(72) Inventors: **Mary Josephine Majcher**, Orchard Lake, MI (US); **Thomas Joseph Majcher**, Orchard Lake, MI (US)

(**) Term: **14 Years**

* cited by examiner

(21) Appl. No.: **29/473,583**

(22) Filed: **Nov. 24, 2013**

Primary Examiner — Elizabeth J Oswecki

(51) **LOC (10) Cl.** **11-05**

(57) **CLAIM**

(52) **U.S. Cl.**
USPC **D11/123**

The ornamental design for an Advent manger, as shown and described.

(58) **Field of Classification Search**

DESCRIPTION

CPC A47G 33/00; A47G 33/008; A47G 33/02;
F21V 35/00; F21V 35/003; F21S 10/04;
F21S 10/043; F21S 10/00
USPC D11/117, 121, 122, 123, 125, 131, 142,
D11/157; D26/1, 2, 4, 5, 6, 7, 8, 9, 10;
D99/25; 428/7, 8, 9, 12; 434/245;
362/565, 569, 392, 393, 806, 810

FIG. 1 is a top perspective view of an Advent manger, showing our new design;
FIG. 2 is a top plan view thereof;
FIG. 3 is a bottom plan view thereof;
FIG. 4 is a front elevation view thereof, with the back elevation view being a mirror image thereof; and,
FIG. 5 is a right side elevation view thereof, with the left side elevation view being a mirror image thereof.

See application file for complete search history.

1 Claim, 2 Drawing Sheets

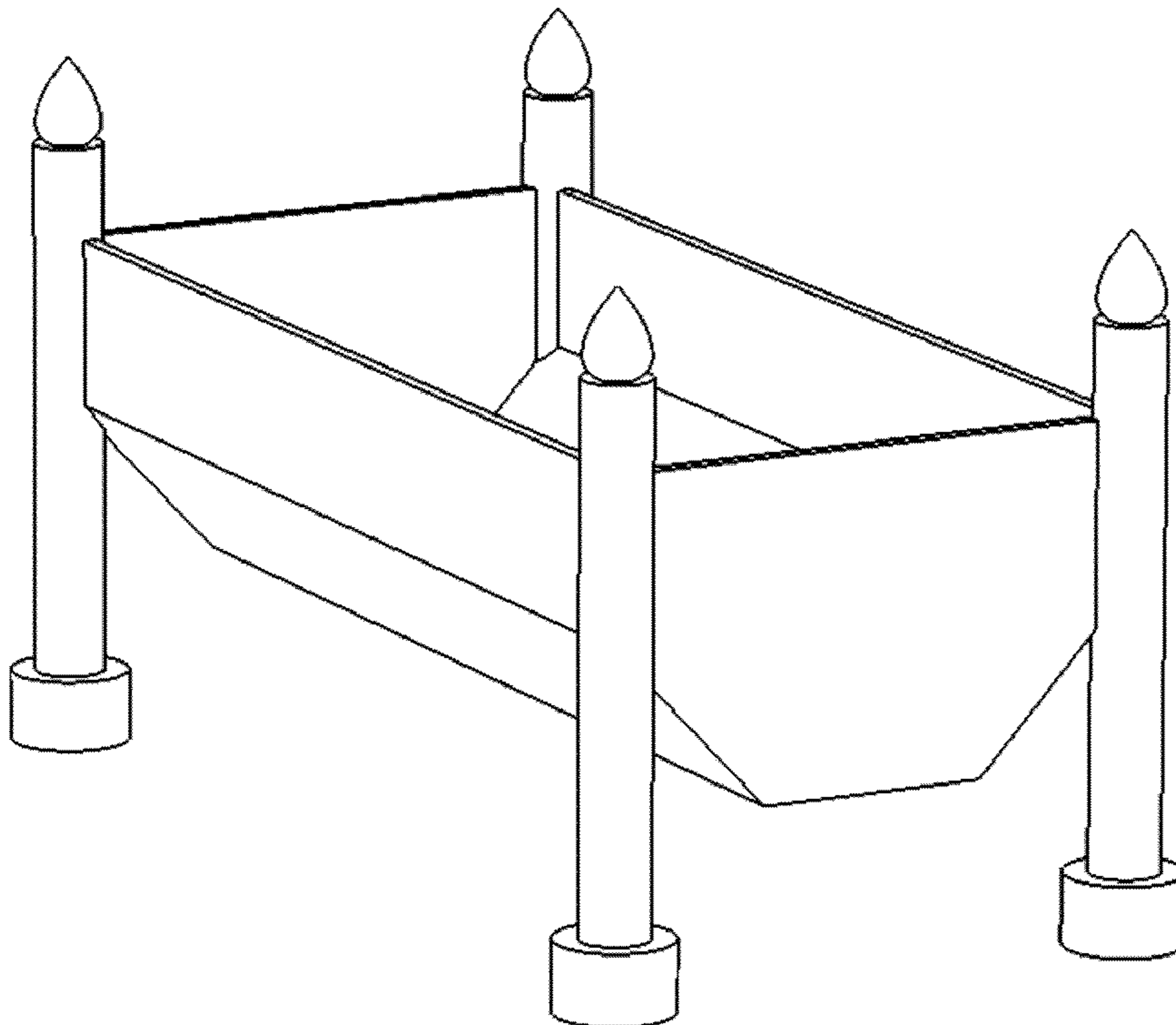


FIGURE 1

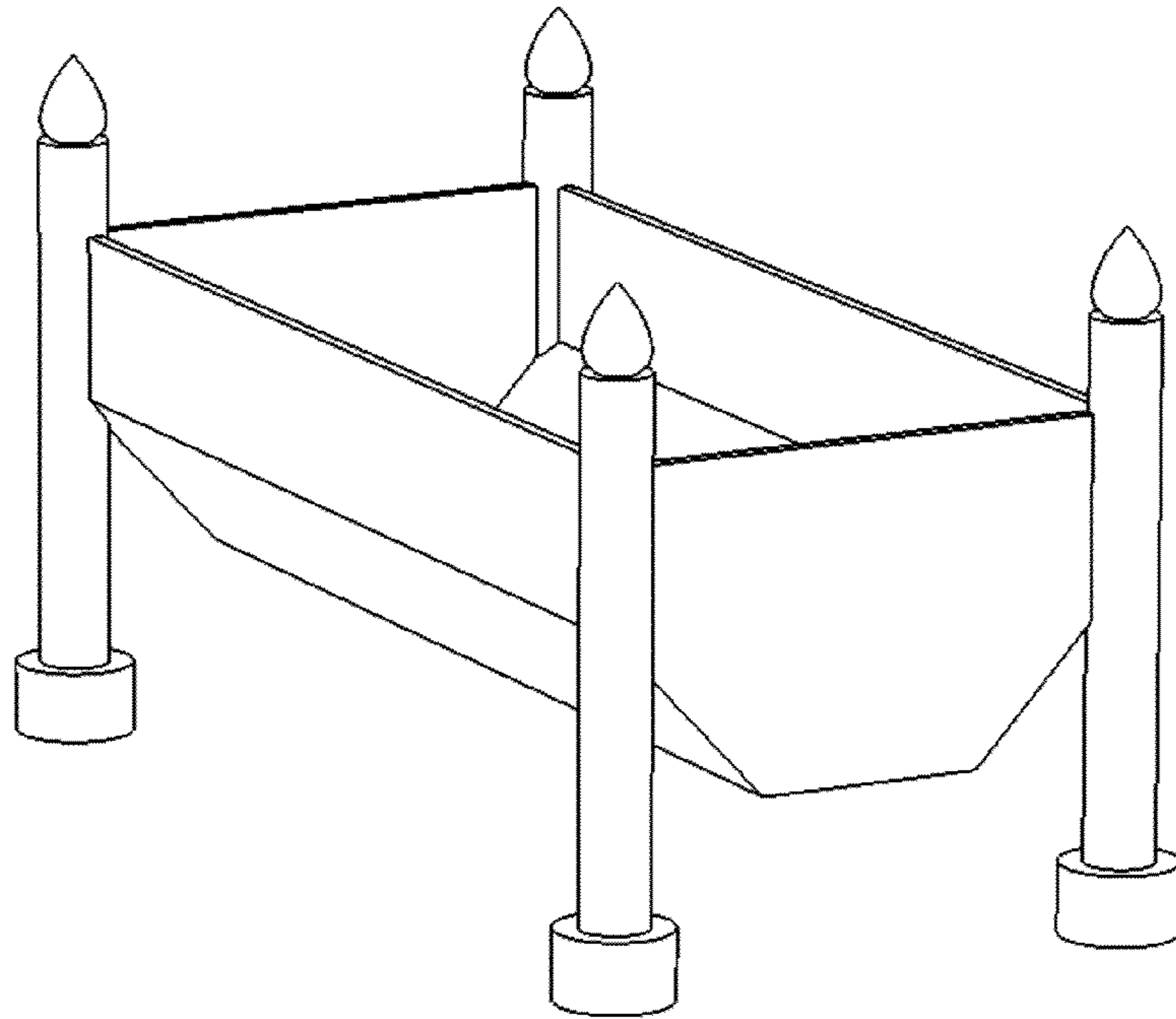


FIGURE 2

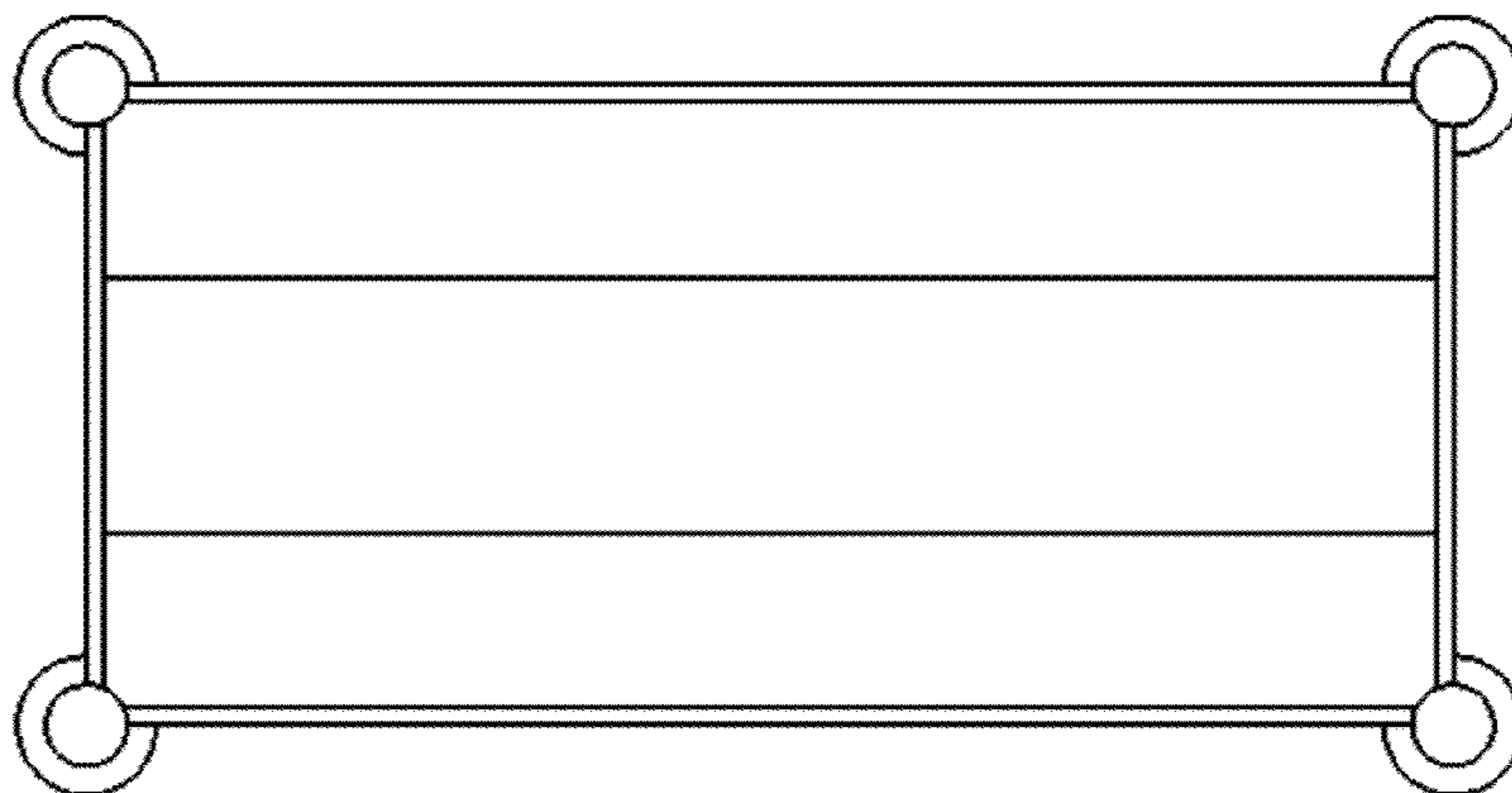


FIGURE 3

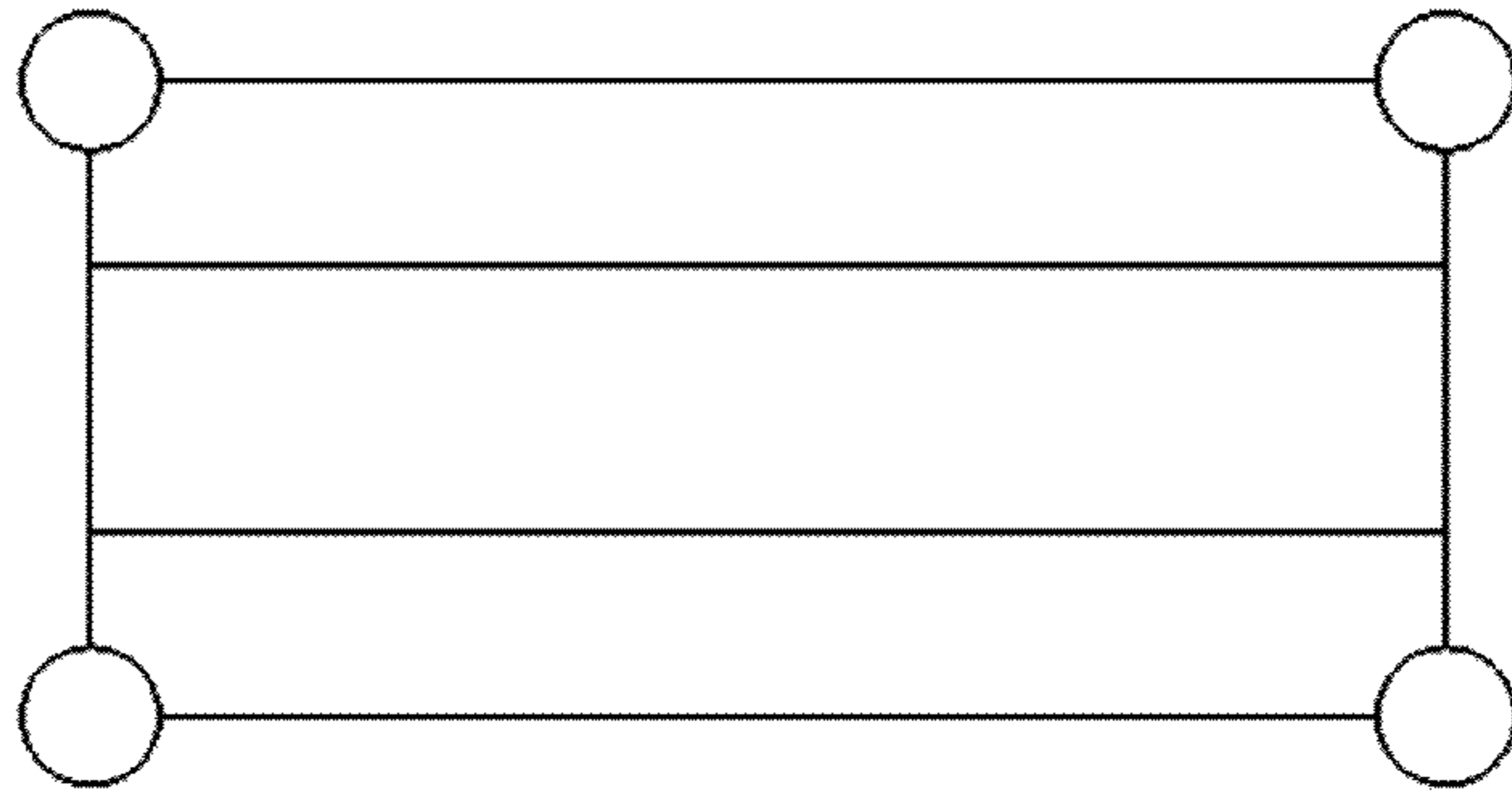


FIGURE 4

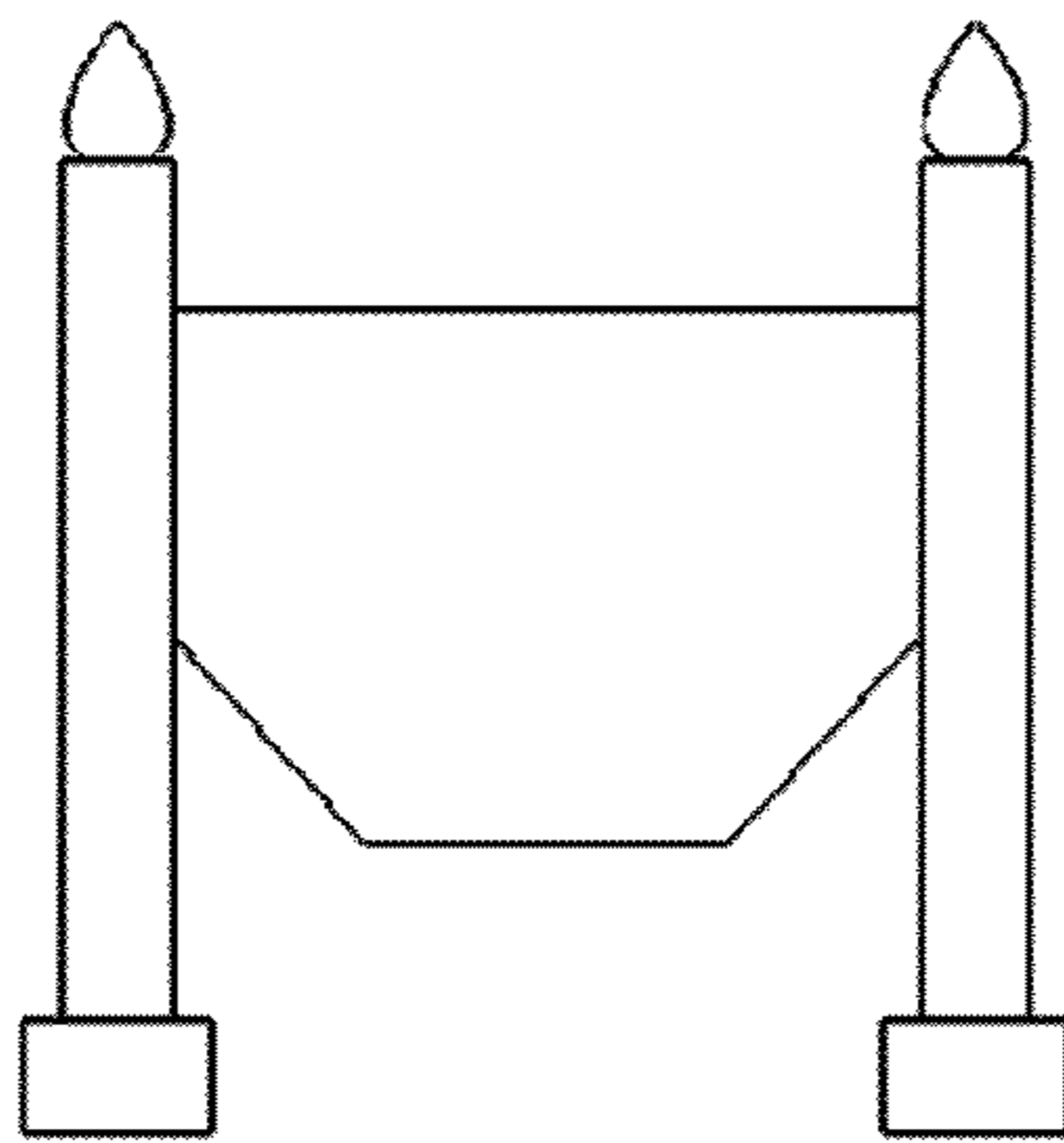


FIGURE 5

