



US00D716177S

(12) **United States Design Patent**
Barnes

(10) **Patent No.:** **US D716,177 S**
(45) **Date of Patent:** **** Oct. 28, 2014**

(54) **JEWELRY ARTICLE**

(71) Applicant: **Thomas D. Barnes**, Old Hickory, TN
(US)

(72) Inventor: **Thomas D. Barnes**, Old Hickory, TN
(US)

(73) Assignee: **Tri-State Trinity LLC**, Monroe, LA
(US)

(**) Term: **14 Years**

(21) Appl. No.: **29/435,971**

(22) Filed: **Oct. 31, 2012**

Related U.S. Application Data

(63) Continuation-in-part of application No. 29/360,950, filed on May 3, 2010, now abandoned, which is a continuation-in-part of application No. 12/641,827, filed on Dec. 18, 2009, now Pat. No. 8,539,792, application No. 29/435,971, which is a continuation-in-part of application No. 12/641,827, filed on Dec. 18, 2009, now Pat. No. 8,539,792.

(51) **LOC (10) Cl.** **11-03**

(52) **U.S. Cl.**
USPC **D11/96**

(58) **Field of Classification Search**
USPC D11/200–231, 95–116, 81, 40, 157, 25;
63/97, 120–103, 108, 623, 697.2,
63/688–690, 662, 381, 385, 713.8; 24/20,
24/43, 12; D8/380, 382–383, 356;
D3/283, 211; 362/103; D99/27, 13
See application file for complete search history.

(56) **References Cited**

U.S. PATENT DOCUMENTS

D240,140	S	*	6/1976	Graves	D99/27
D267,708	S	*	1/1983	Boyakin	D11/157
D329,402	S	*	9/1992	Zears	D11/81
D390,321	S	*	2/1998	Maple et al.	D99/13
D589,225	S	*	3/2009	Wilburn	D11/131
D615,449	S	*	5/2010	Hayden et al.	D11/96
D626,882	S	*	11/2010	Johnston	D11/96

* cited by examiner

Primary Examiner — T. Chase Nelson

Assistant Examiner — Mark Cavanna

(74) *Attorney, Agent, or Firm* — Goldberg Cohen LLP

(57) **CLAIM**

I claim the ornamental design for a jewelry article, as shown and described.

DESCRIPTION

FIG. 1 is a perspective view of one embodiment of the present invention;

FIG. 2 is a front view of the embodiment of FIG. 1;

FIG. 3 is a back view of the embodiment of FIG. 1;

FIG. 4 is a right side view of the embodiment of FIG. 1;

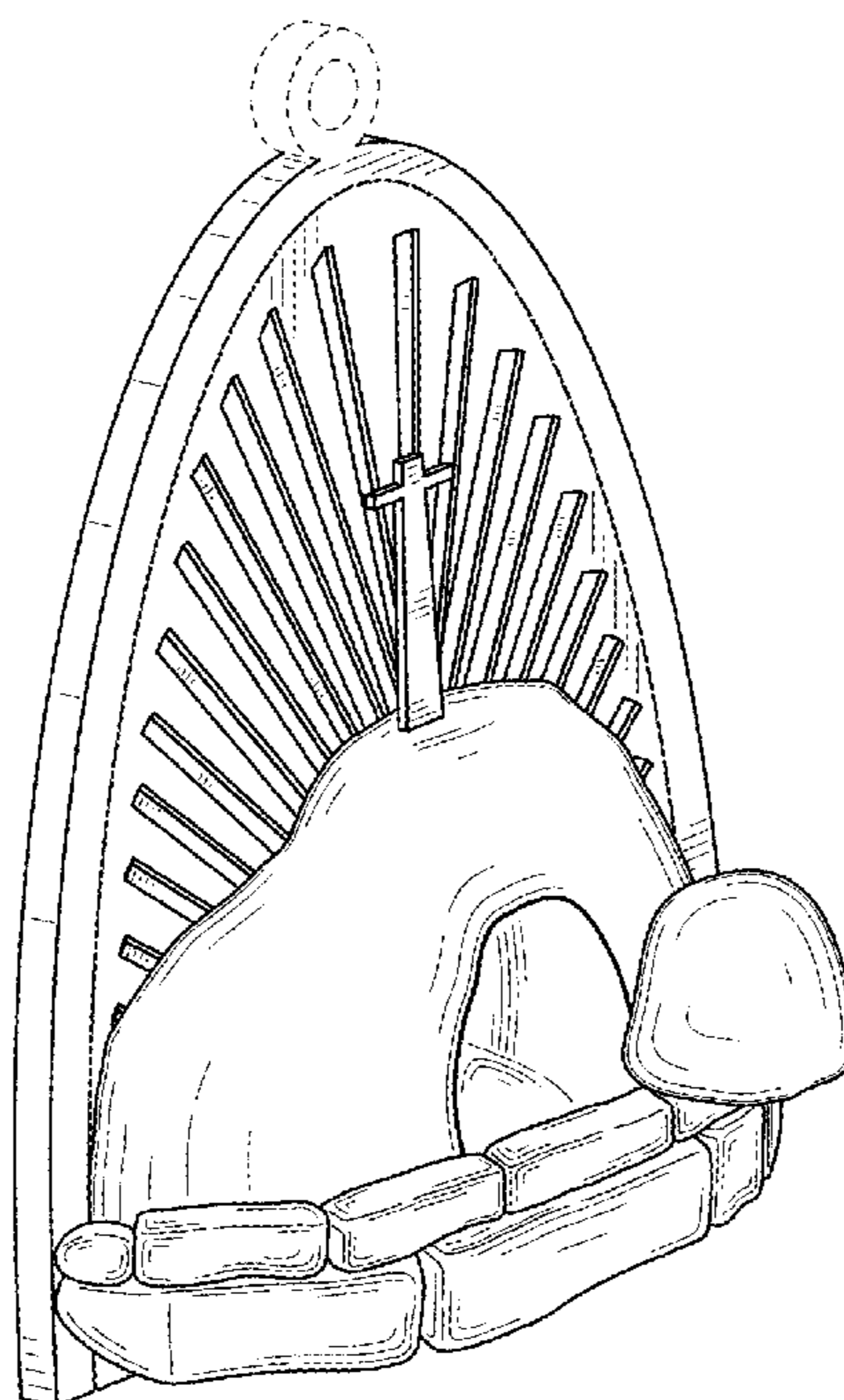
FIG. 5 is a left side view of the embodiment of FIG. 1;

FIG. 6 is a top view of the embodiment of FIG. 1; and,

FIG. 7 is a bottom view of the embodiment of FIG. 1.

The broken line showing in the figures is for illustrative purposes only and forms no part of the claimed design.

1 Claim, 4 Drawing Sheets



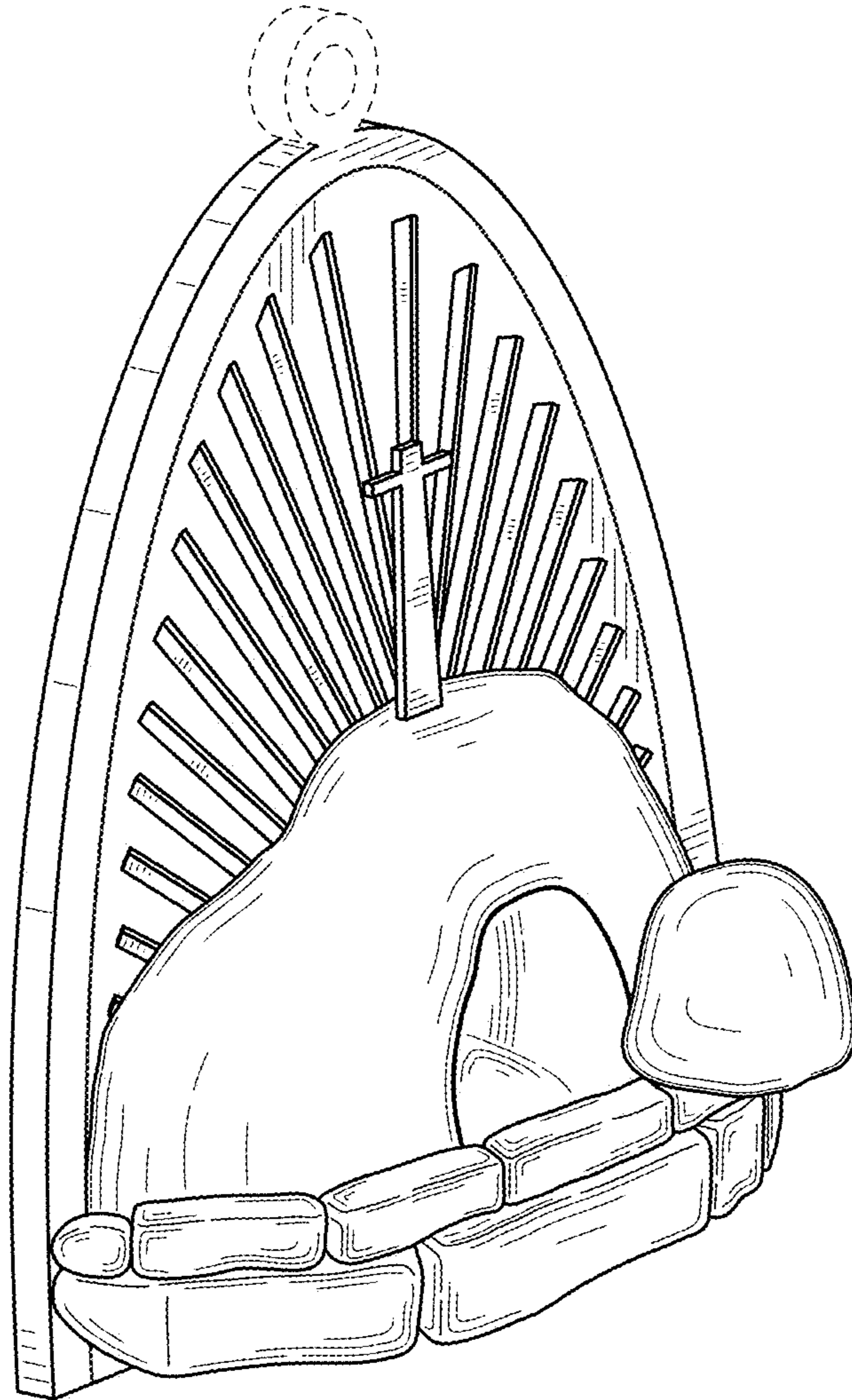


FIG. 1

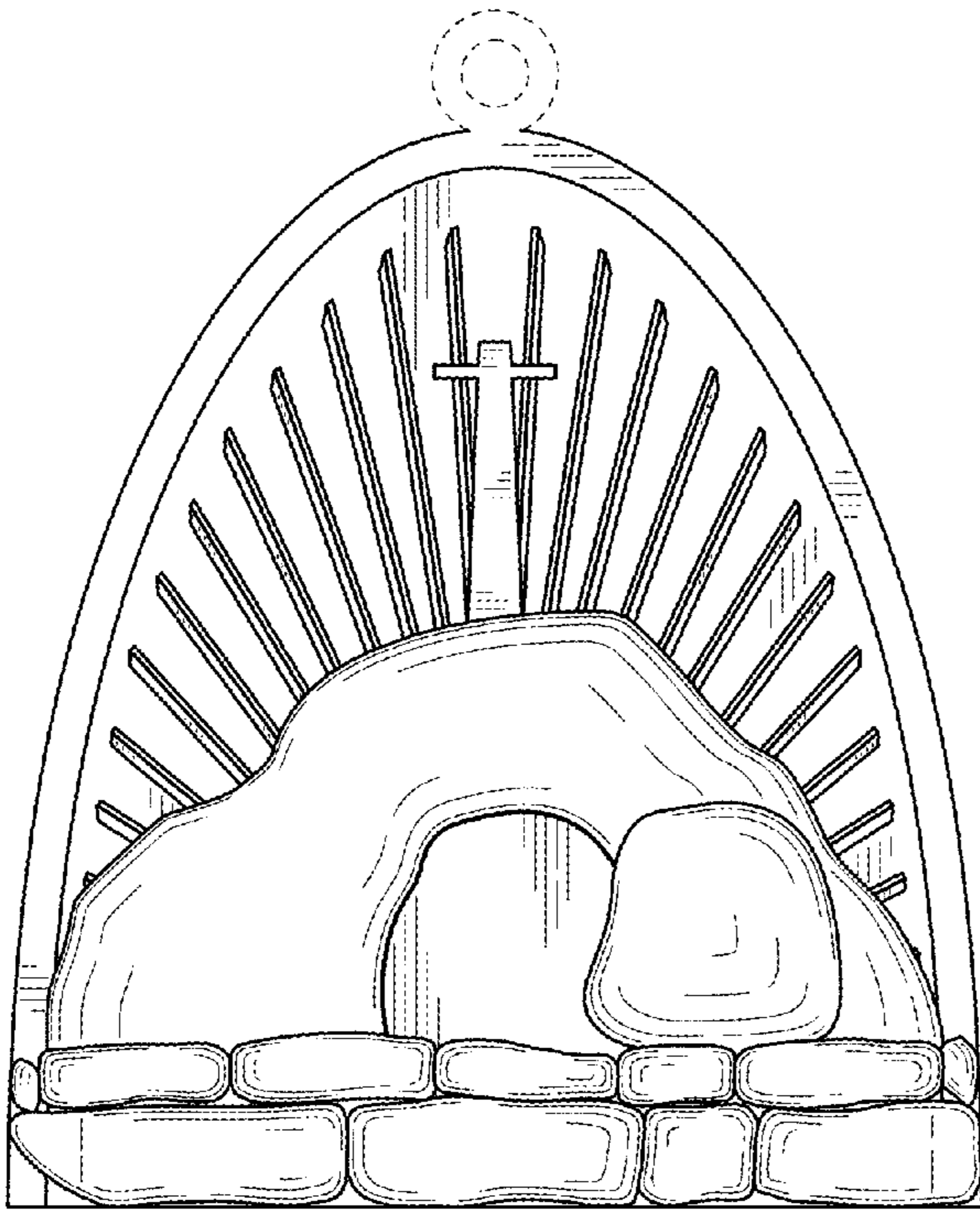


FIG. 2

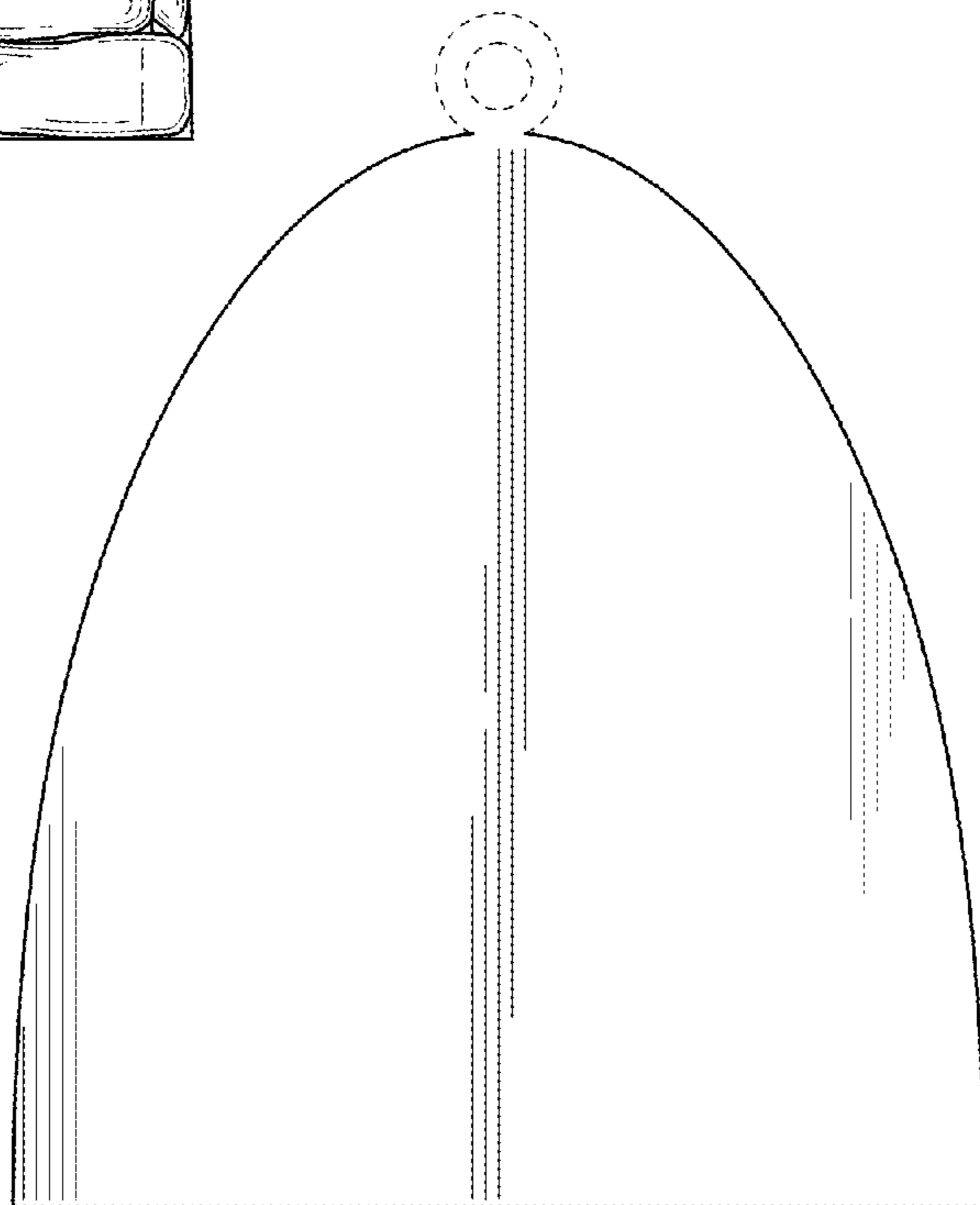


FIG. 3

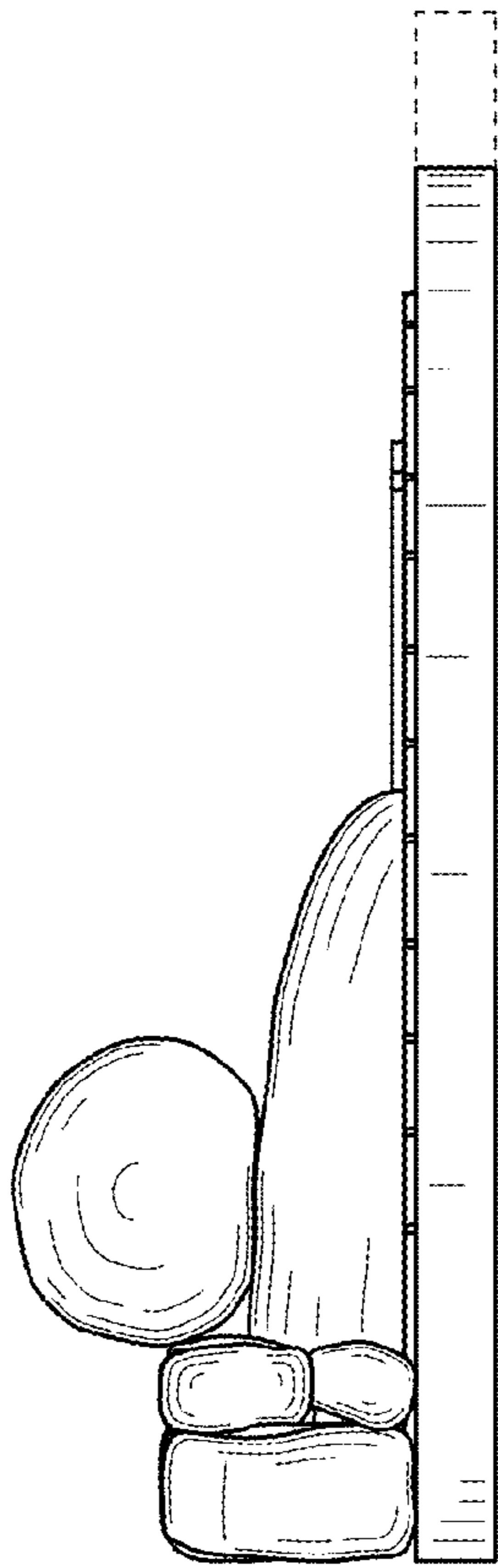


FIG. 4

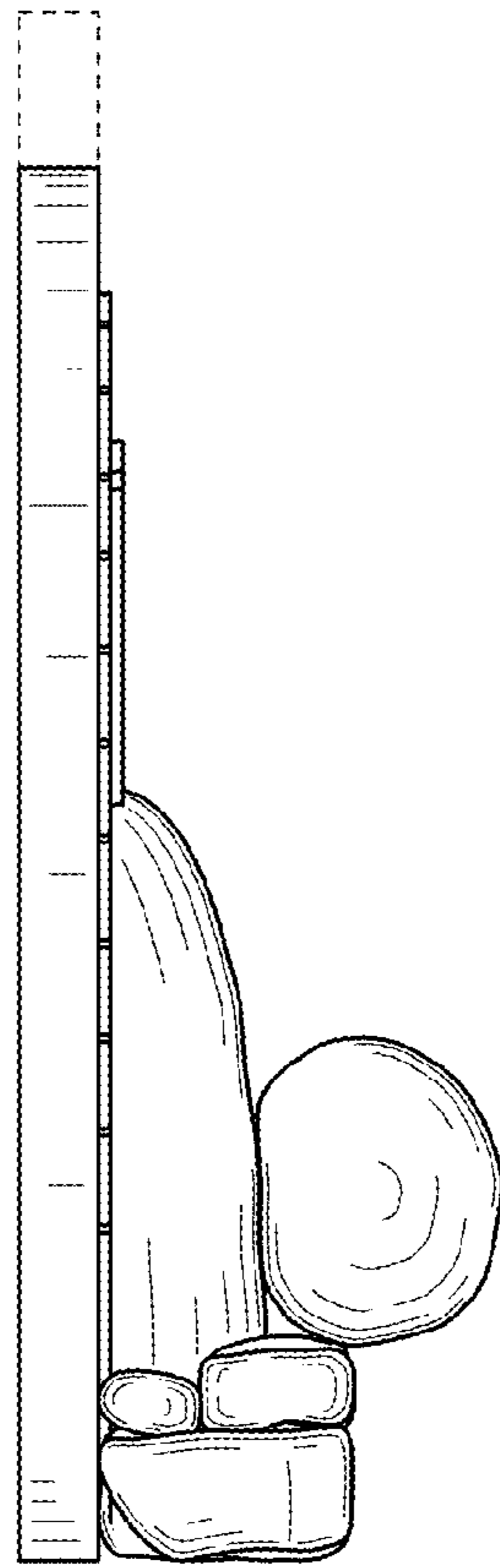


FIG. 5

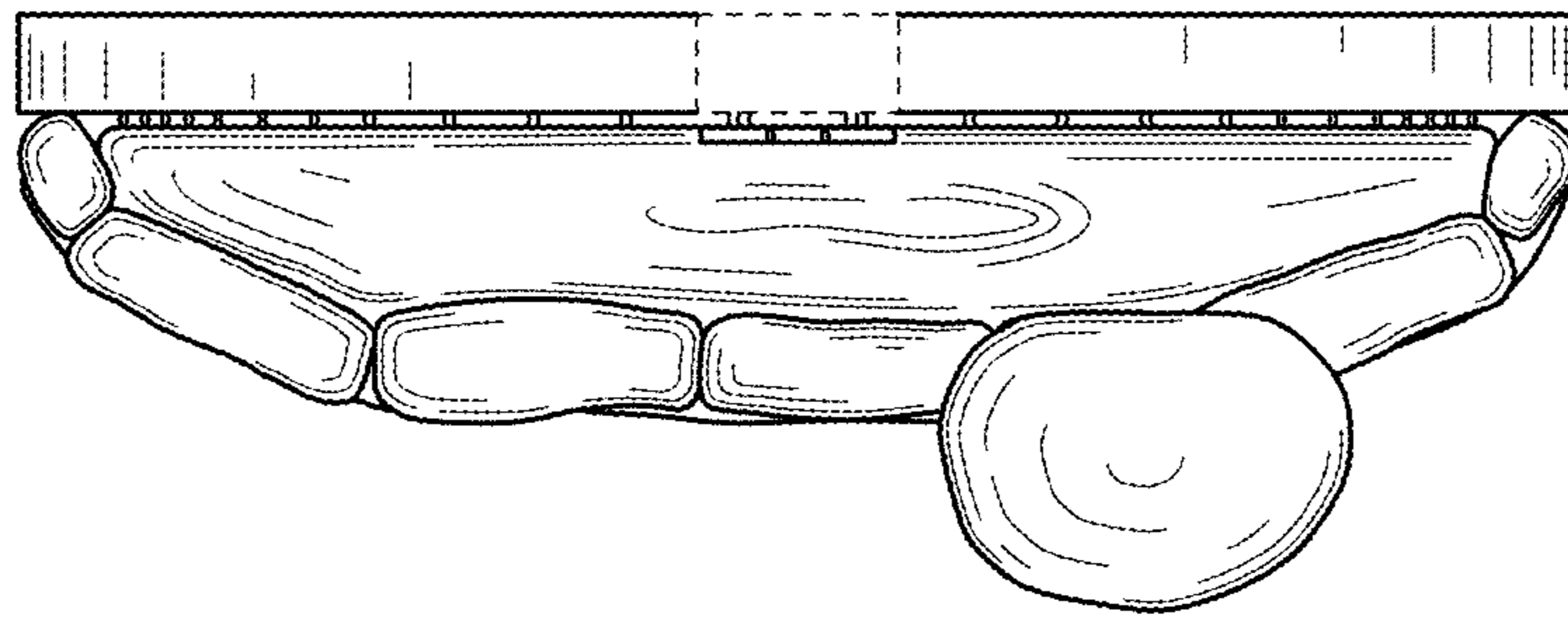


FIG. 6

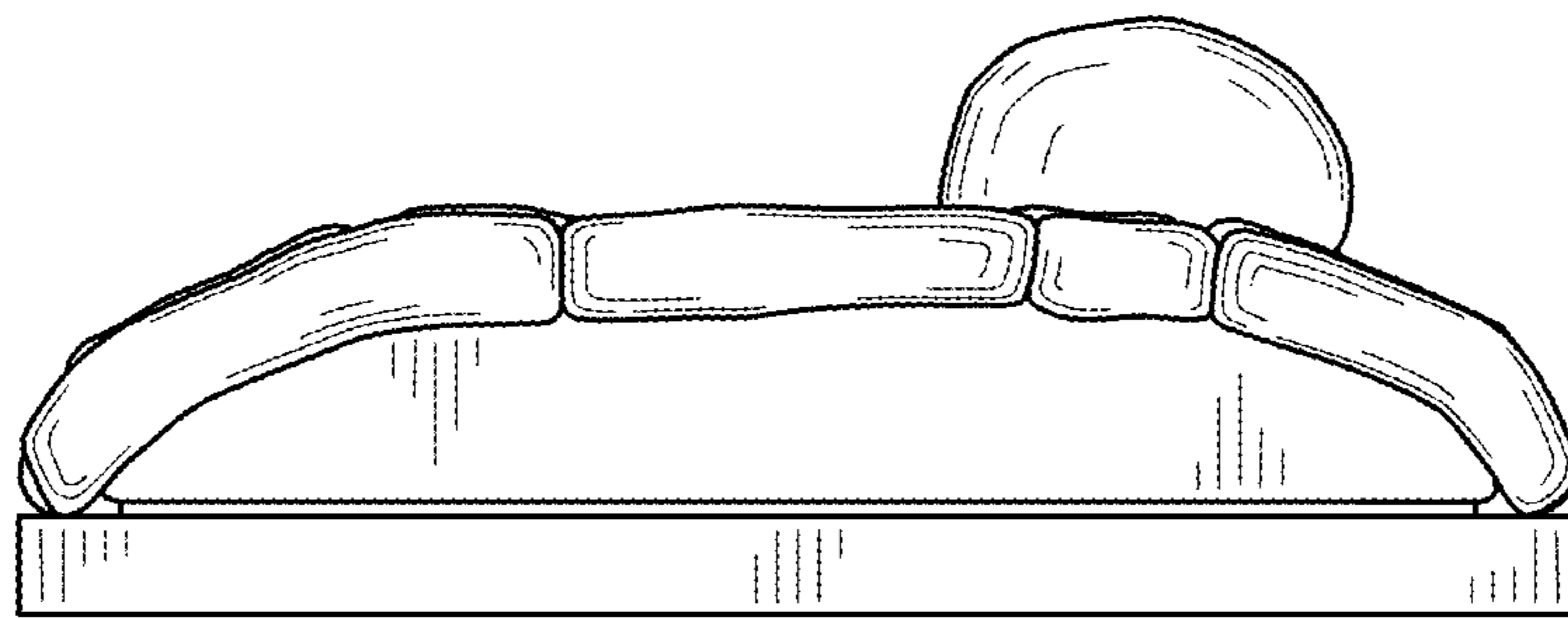


FIG. 7