



US00D716176S

(12) **United States Design Patent**
Kusek

(10) **Patent No.:** **US D716,176 S**
(45) **Date of Patent:** **** Oct. 28, 2014**

(54) **OPENING FOR A POUCH WITH ATTACHABLE FLAP**

(76) Inventor: **Katrin Kusek**, Temecula, CA (US)

(**) Term: **14 Years**

(21) Appl. No.: **29/415,150**

(22) Filed: **Mar. 8, 2012**

(51) **LOC (10) Cl.** **11-01**

(52) **U.S. Cl.**

CPC **A44C 5/00** (2013.01)

USPC **D11/87**

(58) **Field of Classification Search**

USPC D11/1-2, 7, 40-44, 46-49, 53, 56, 57,
D11/59-61, 63, 65, 79-83, 86-87, 89-90,
D11/91-92, 99, 101, 106, 114-116,
D11/200-201; 63/3, 3.1, 12-14.9;
D9/695-699; D24/188, 193-199

See application file for complete search history.

(56) **References Cited**

U.S. PATENT DOCUMENTS

| | | | | |
|-----------|-----|---------|----------------|-----------|
| 2,722,968 | A * | 11/1955 | Smith | 182/187 |
| D267,927 | S * | 2/1983 | Smith | D9/697 |
| 4,664,266 | A * | 5/1987 | Fausett et al. | 211/87.01 |
| D301,017 | S * | 5/1989 | Norman et al. | D10/68 |
| D318,795 | S * | 8/1991 | Christine | D9/696 |
| 5,251,361 | A * | 10/1993 | Owens et al. | 24/182 |
| D366,007 | S * | 1/1996 | Colpo | D11/87 |
| 5,553,719 | A * | 9/1996 | Campbell | 211/30 |
| D375,021 | S * | 10/1996 | McArdle | D7/601 |
| D396,630 | S * | 8/1998 | Lerner | D9/709 |
| D410,547 | S | 6/1999 | Brock | |
| D413,675 | S | 9/1999 | Thorpe et al. | |
| D416,477 | S * | 11/1999 | Flint | D9/696 |

(Continued)

OTHER PUBLICATIONS

Ringley Natural Teething Toys website, <http://www.ringleynaturalteethingtoys.com/>, 2 pages, at least as early as Nov. 28, 2011.

(Continued)

Primary Examiner — Zenia Bennett

(74) *Attorney, Agent, or Firm* — Law Office of Karen Dana Oster, LLC

(57) **CLAIM**

I claim the ornamental design for an opening for a pouch with attachable flap, as shown and described.

DESCRIPTION

FIG. 1 is an isometric view of a first design of the opening for a pouch with attachable flap (insertable through an unclaimed teether) showing my new design in a closed position.

FIG. 2 is a front view of the first design of the opening for a pouch with attachable flap in the closed position.

FIG. 3 is a back view of the first design of the opening for a pouch with attachable flap in the closed position.

FIG. 4 is a top plan view of the first design of the opening for a pouch with attachable flap in the closed position.

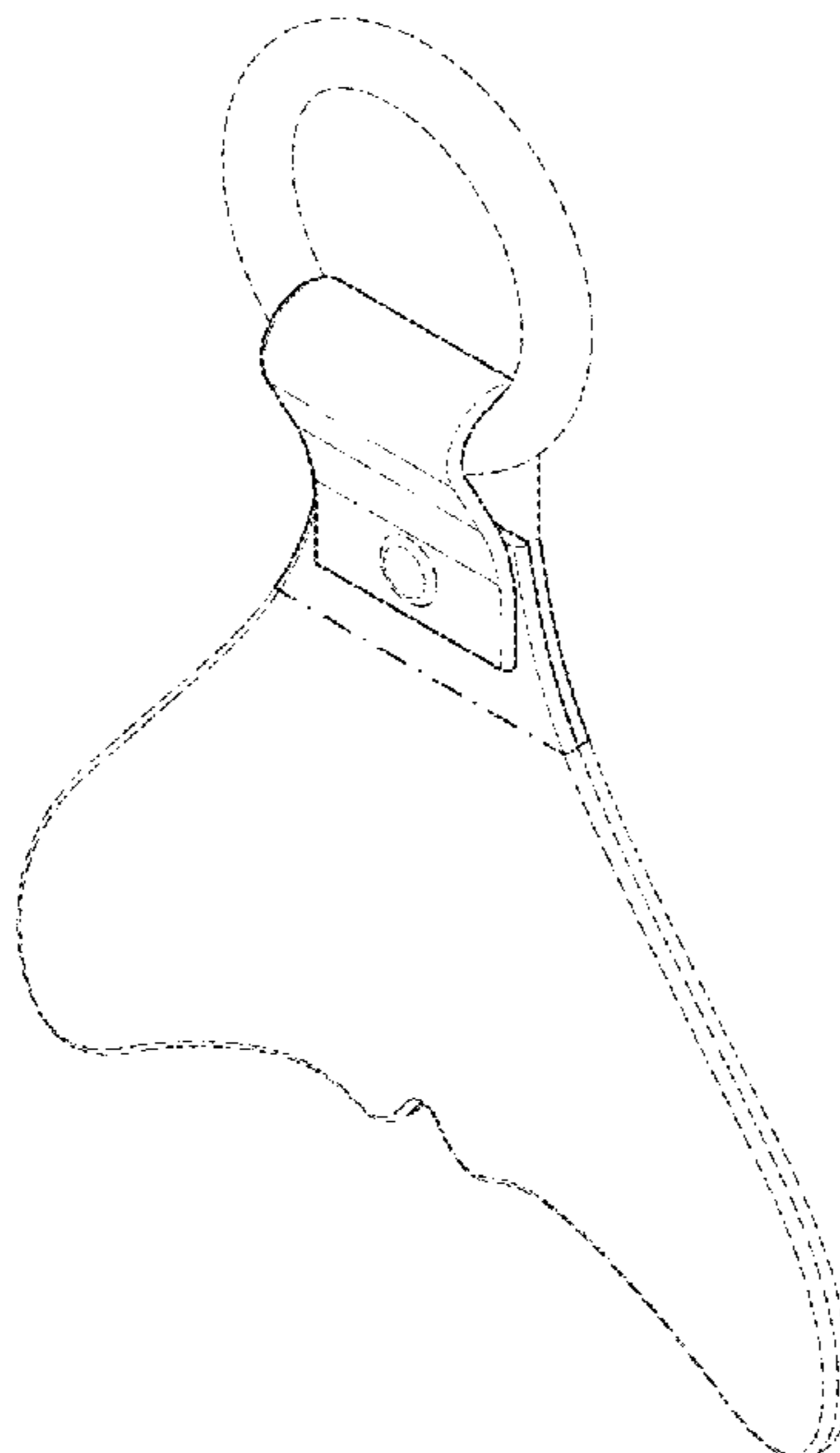
FIG. 5 is a bottom plan view of the first design of the opening for a pouch with attachable flap in the closed position.

FIG. 6 is a first side view of the first design of the opening for a pouch with attachable flap in the closed position, a second side view being a mirror image of the first side view; and,

FIG. 7 is an isometric view of the first design of the opening for a pouch with attachable flap in an open position with the attachment flap shown as inserted through the unclaimed teether.

The broken line depiction of the attachment mechanisms, parts of the pouches, and teethers form no part of the claimed design.

1 Claim, 4 Drawing Sheets



(56)

References Cited

U.S. PATENT DOCUMENTS

D440,491 S * 4/2001 Stacy-Ryan D9/434
D447,406 S * 9/2001 Schalow D9/696
6,292,962 B1 9/2001 Dunn et al.
D448,661 S * 10/2001 Kerr et al. D9/696
6,308,837 B1 * 10/2001 Bragg et al. 211/13.1
D451,650 S 12/2001 Kaplan
6,684,422 B2 2/2004 LeFevre et al.

D519,581 S 4/2006 Velez et al.
D533,462 S * 12/2006 Bachmann D9/695
D610,022 S * 2/2010 Kanfer et al. D9/695
2008/0134432 A1 6/2008 Brandon

OTHER PUBLICATIONS

Teething Blankets for Baby, <http://www.squidoo.com.com/teething-blankets>, 5 pages, at least as early as Nov. 28, 2011.

* cited by examiner

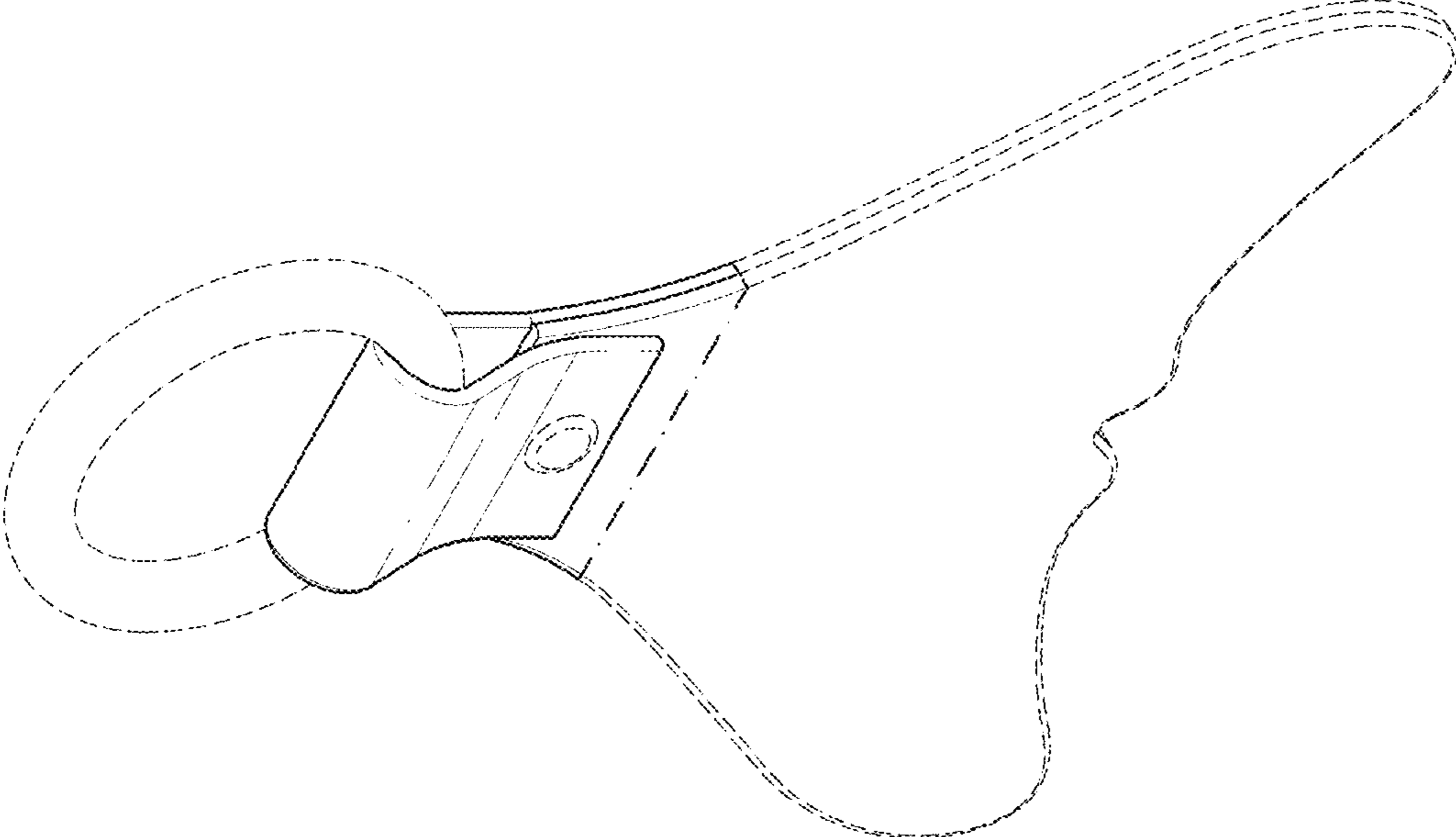


FIG. 1

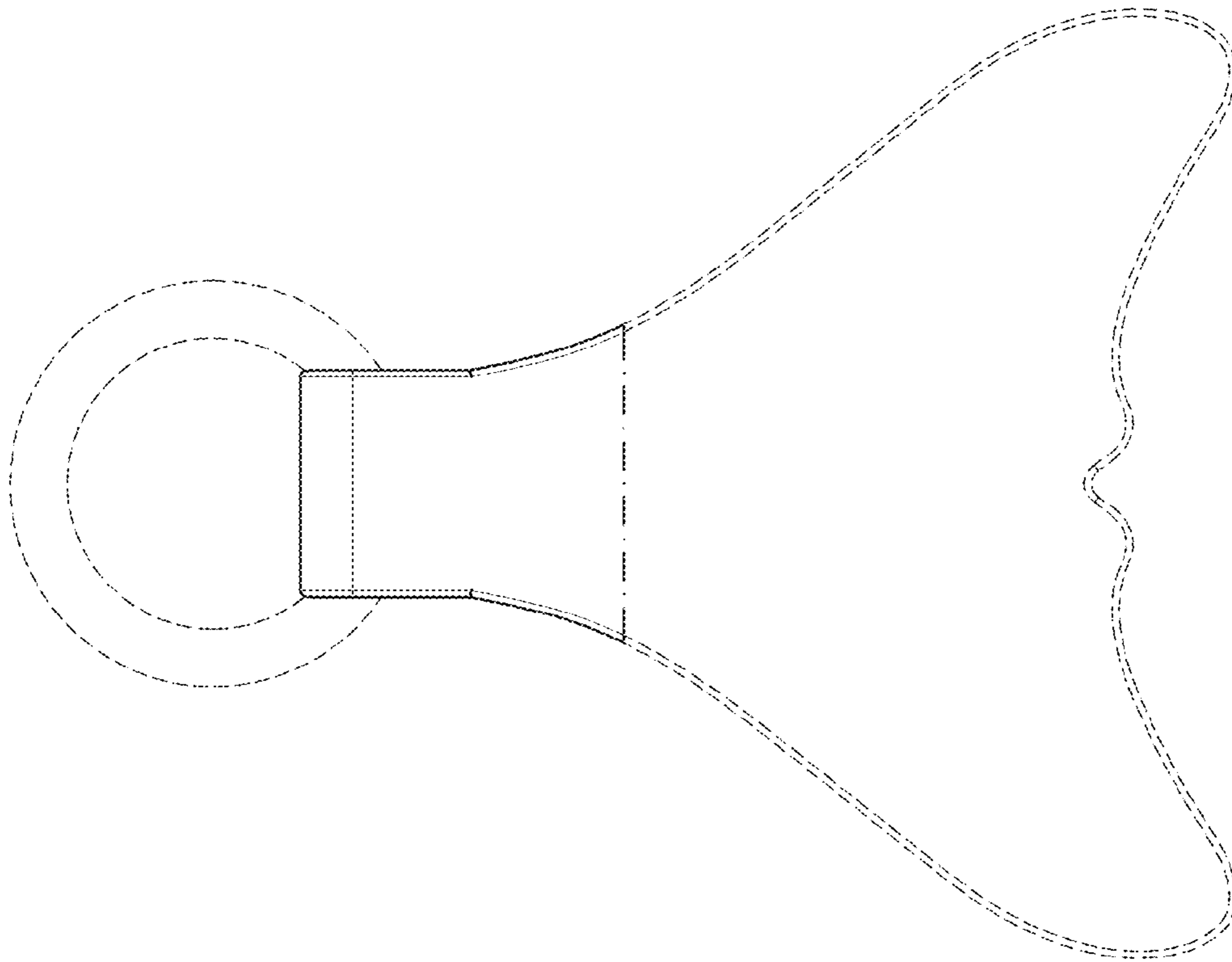


FIG. 3

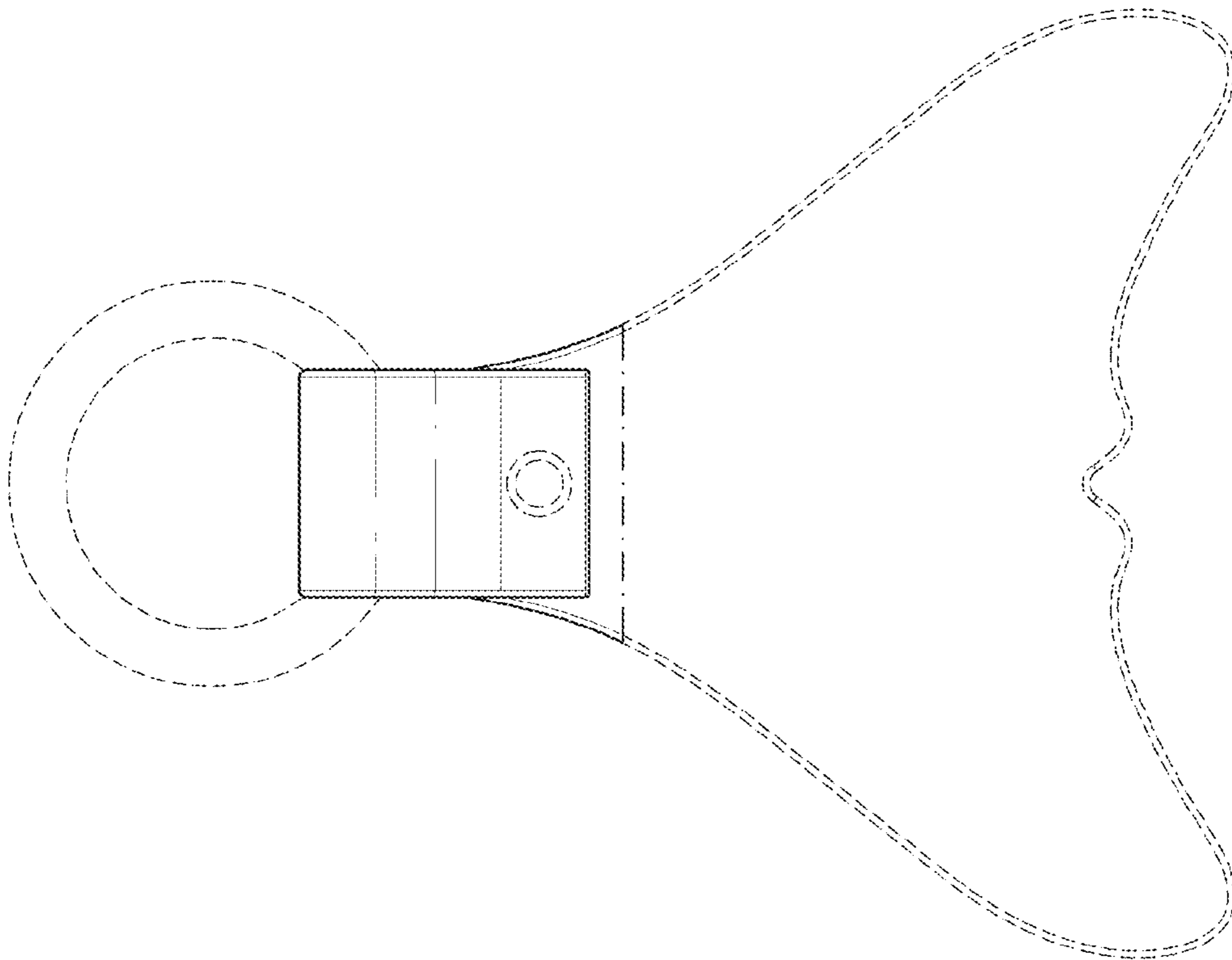


FIG. 2

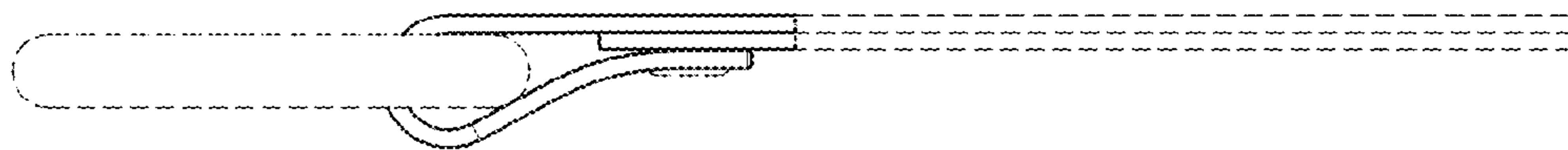


FIG. 6

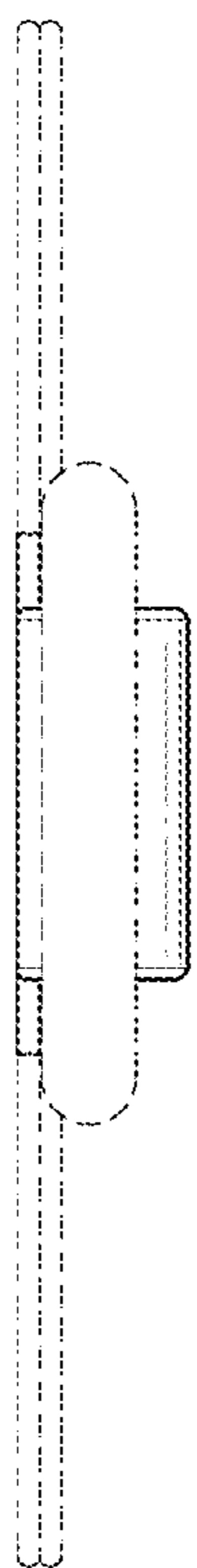


FIG. 4

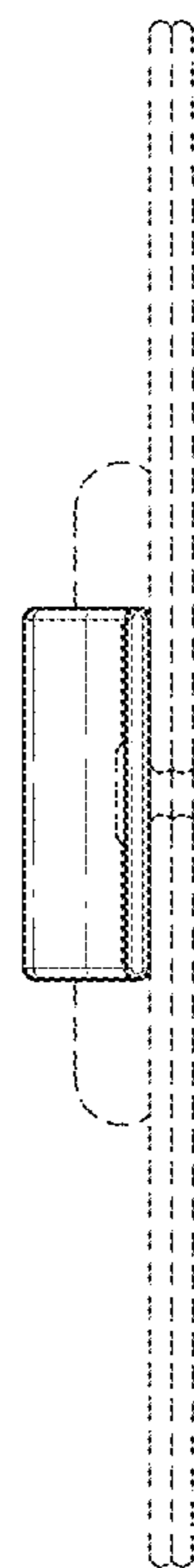


FIG. 5

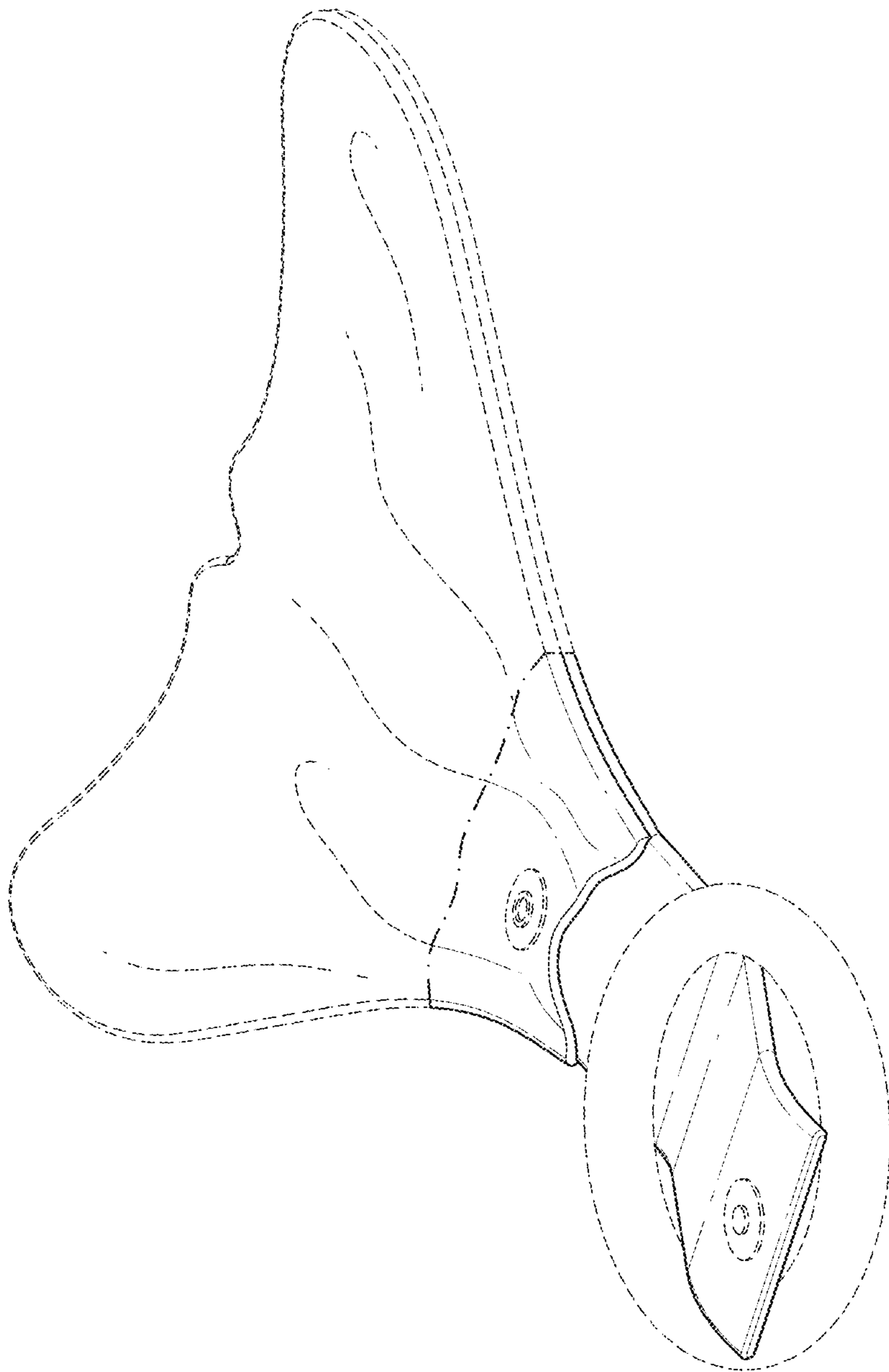


FIG. 7