



US00D716172S

(12) **United States Design Patent**  
**Howe**

(10) **Patent No.:** **US D716,172 S**  
(45) **Date of Patent:** **\*\* Oct. 28, 2014**

(54) **CHARM BRACELET AND CHARM THEREFOR**

(76) Inventor: **Alecia Michelle Howe**, Frederick, MD (US)

(\*\*) Term: **14 Years**

(21) Appl. No.: **29/432,025**

(22) Filed: **Sep. 12, 2012**

(51) **LOC (10) Cl.** ..... **11-01**

(52) **U.S. Cl.**  
USPC ..... **D11/3**

(58) **Field of Classification Search**  
USPC ..... D11/1-25, 79; 63/3, 3.1, 3.2, 15, 5.1, 63/1.11, 18-20, 4, 23, 2  
See application file for complete search history.

(56) **References Cited**

**U.S. PATENT DOCUMENTS**

D100,665 S	5/1936	Kelley	
2,378,755 A *	6/1945	Dowling	40/640
D152,864 S	5/1947	Carlson	
D158,918 S *	6/1950	Winn	D10/32
D174,278 S	3/1955	Katz	
D186,854 S	1/1959	Nelson	
3,800,450 A *	4/1974	Laugherty et al.	40/633
D243,411 S *	2/1977	Johnson	D30/152
D297,130 S	8/1988	Lucas	
D310,035 S *	8/1990	Braun et al.	D10/32
D312,981 S	12/1990	Palmer	
D335,102 S	4/1993	Crowder et al.	
D365,533 S *	12/1995	Burgener	D11/3
5,816,072 A *	10/1998	Michaels	63/3
D497,566 S *	10/2004	Pucci	D11/4
6,880,364 B1 *	4/2005	Vidolin et al.	63/40
D565,449 S	4/2008	Sugama	

D591,633 S *	5/2009	Del Valle	D11/3
D593,891 S	6/2009	Di Grazia	
D625,215 S	10/2010	Murray	
D643,428 S *	8/2011	Janky et al.	D14/358

(Continued)

**OTHER PUBLICATIONS**

[Online] Heart it! Charm Bands. <https://www.etsy.com/transaction/167691158?>. Retrieved Jun. 24, 2014.\*

(Continued)

*Primary Examiner* — Garth Rademaker  
*Assistant Examiner* — Melanie Pellegrini  
(74) *Attorney, Agent, or Firm* — QuickPatents; Kevin Prince

(57) **CLAIM**

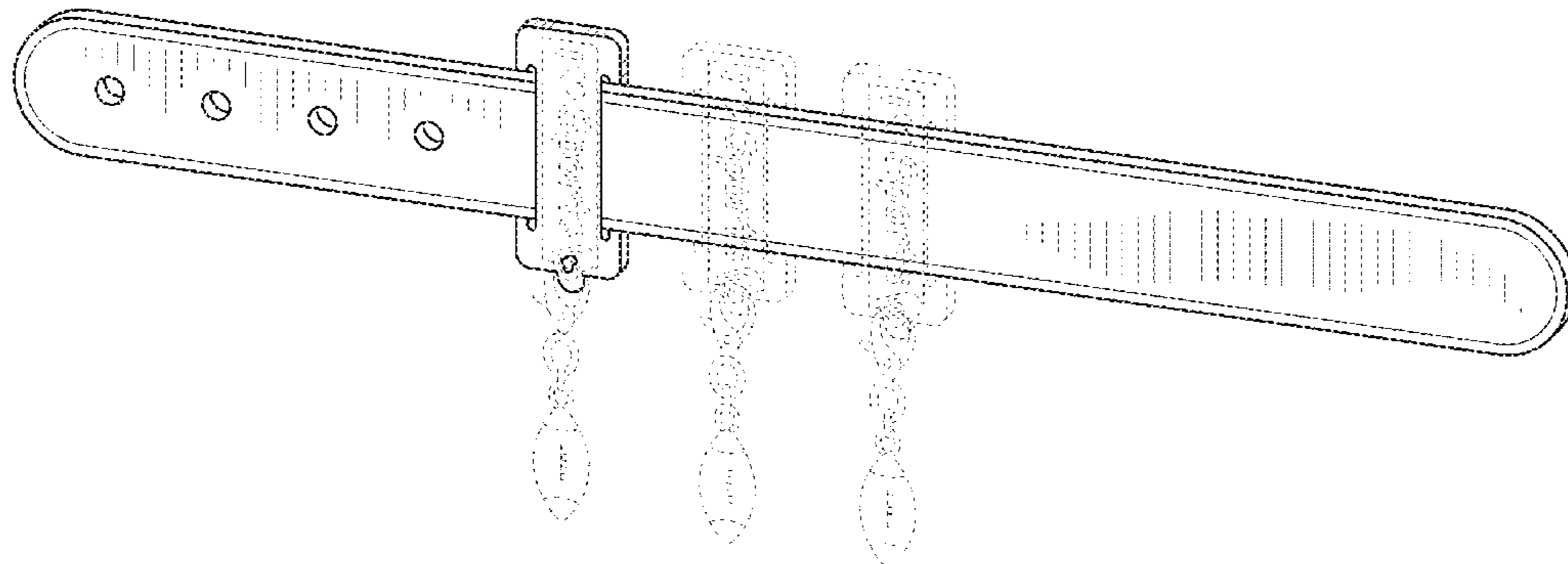
I claim the ornamental design for a charm bracelet and charm therefor, as shown and described.

**DESCRIPTION**

FIG. 1 is a perspective view of a charm bracelet and charm therefor showing a first embodiment of my new design; FIG. 2 is an exploded front elevational view of FIG. 1; FIG. 3 is an exploded rear elevational view of FIG. 1; FIG. 4 is an exploded right-side elevational view of FIG. 1; FIG. 5 is an exploded left-side elevational view of FIG. 1; FIG. 6 is an exploded top plan view of FIG. 1; FIG. 7 is an exploded bottom plan view of FIG. 1; and, FIG. 8 is a perspective view of a charm bracelet and charm therefor showing a second embodiment of my new design, the bracelet portion omitted for clarity of illustration; and, FIG. 9 is a top plan view of FIG. 8.

The broken lines showing additional charms in FIG. 1 and text on the charm in FIGS. 1, 2, 8 and 9 depict environmental matter and form no part of the claimed design.

**1 Claim, 3 Drawing Sheets**



(56)

**References Cited**

2011/0061424 A1\* 3/2011 Gupta ..... 63/1.13

U.S. PATENT DOCUMENTS

OTHER PUBLICATIONS

D645,775 S \* 9/2011 Adkins ..... D11/3  
D692,340 S \* 10/2013 Mejia ..... D11/3  
8,573,003 B2 \* 11/2013 Kaupp ..... 63/3.1  
D703,740 S \* 4/2014 Sherwin ..... D19/9  
D707,584 S \* 6/2014 Webb ..... D11/87

[Online] Heart It! Charm Bands. <https://www.etsy.com/transaction/164248982?>. Retrieved Jun. 24, 2014.\*

\* cited by examiner

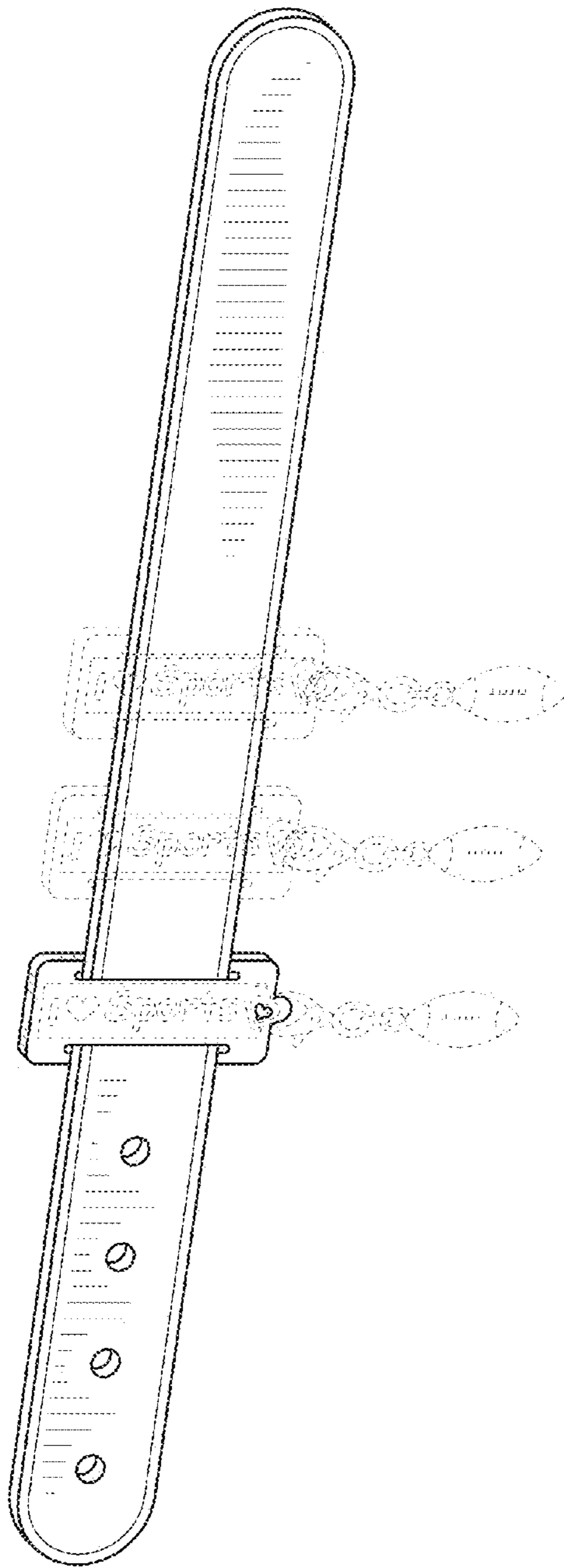


FIG. 1

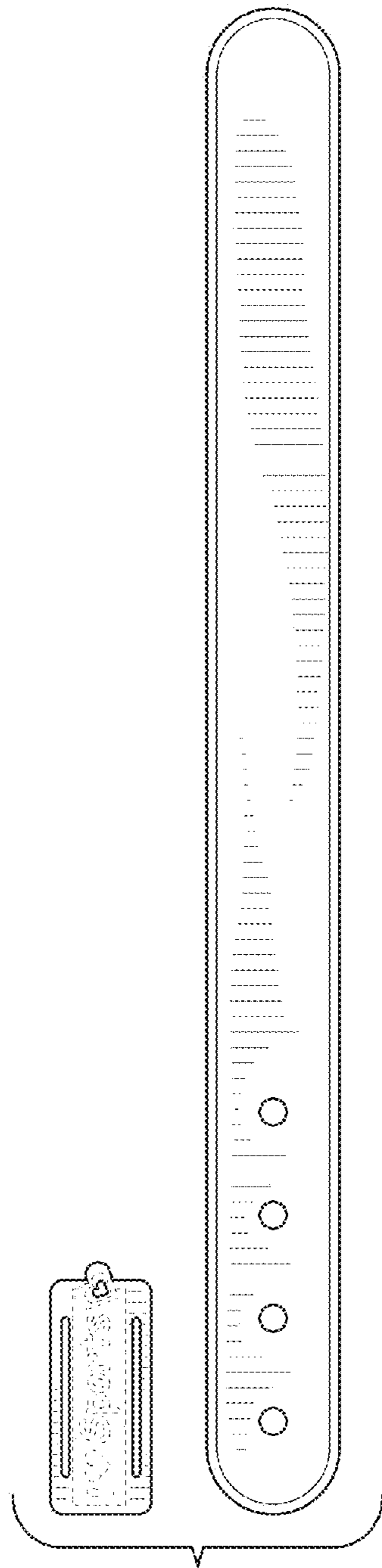


FIG. 2

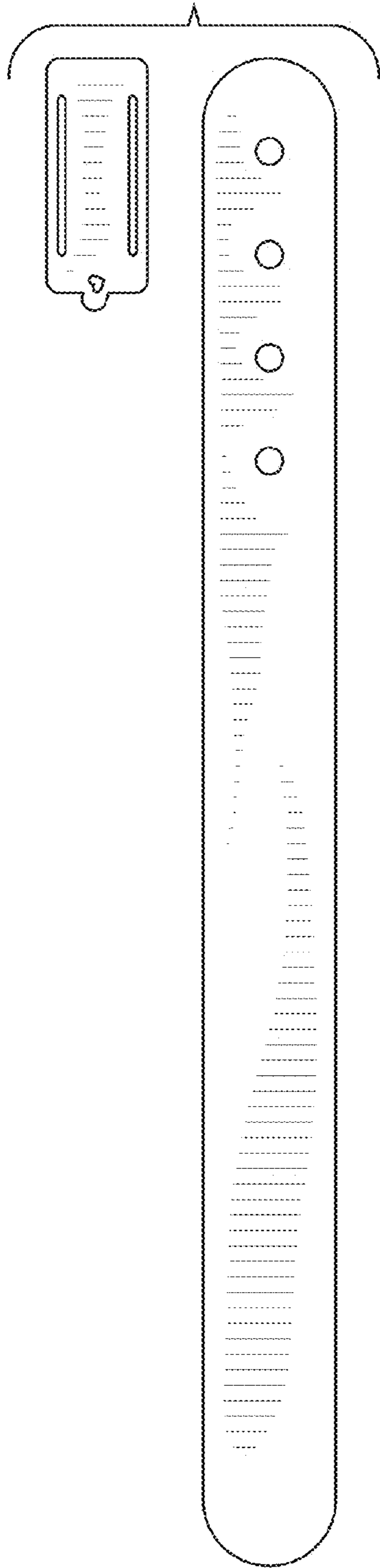


FIG. 3

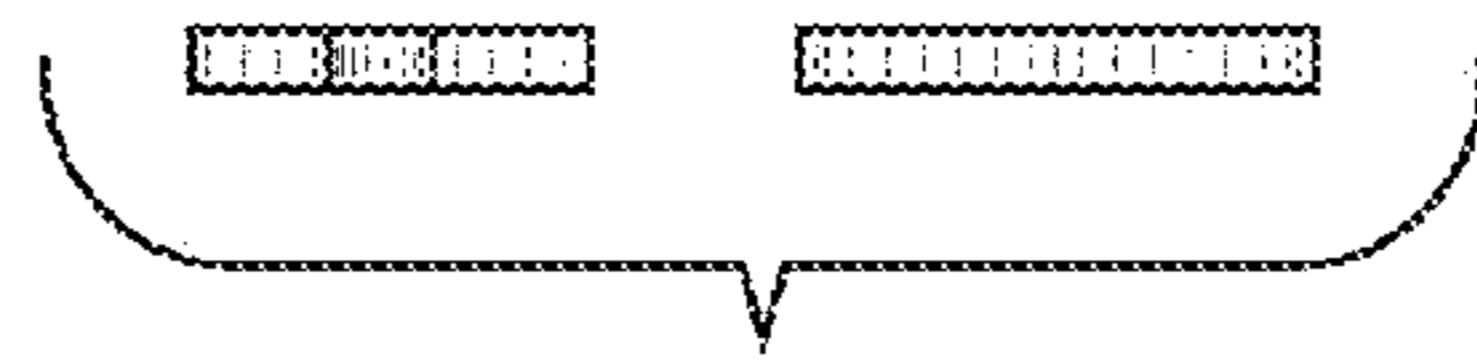


FIG. 4

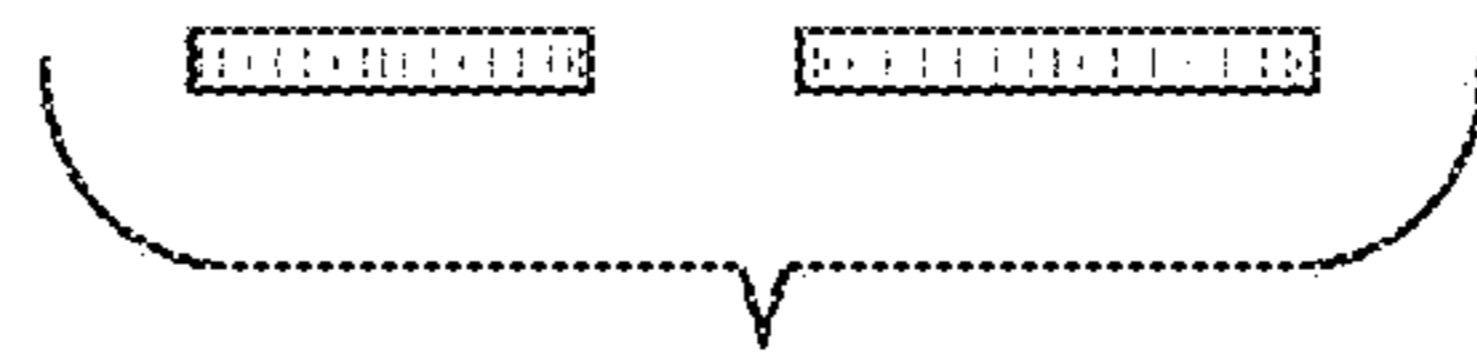


FIG. 5

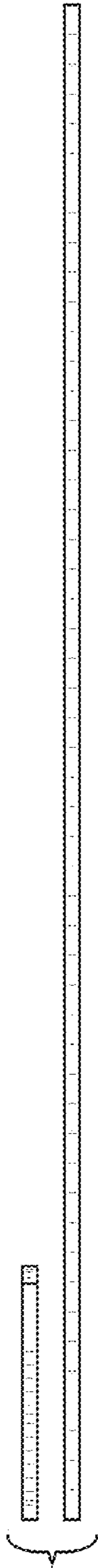


FIG. 6

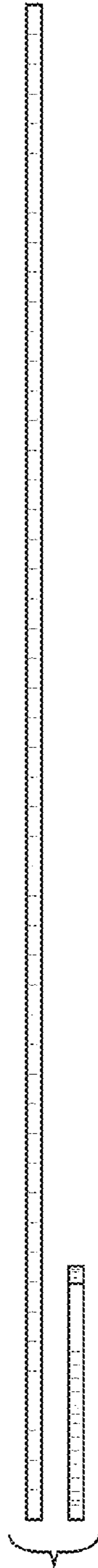


FIG. 7



FIG. 8

FIG. 9