



US00D716170S

(12) **United States Design Patent**
Hojmose

(10) **Patent No.:** **US D716,170 S**

(45) **Date of Patent:** **** Oct. 28, 2014**

(54) **HEAT DETECTOR**

(71) Applicant: **Glenn Hojmose**, Silkeborg (DK)

(72) Inventor: **Glenn Hojmose**, Silkeborg (DK)

(73) Assignee: **CAVIUS ApS**, Silkeborg (DK)

(**) Term: **14 Years**

(21) Appl. No.: **29/436,818**

(22) Filed: **Nov. 9, 2012**

(30) **Foreign Application Priority Data**

Aug. 27, 2012 (EM) 002092890

(51) **LOC (10) Cl.** **10-05**

(52) **U.S. Cl.**
USPC **D10/106.2**

(58) **Field of Classification Search**
USPC D10/106.1, 106.2, 106.5; 340/628-630,
340/571
See application file for complete search history.

(56) **References Cited**

U.S. PATENT DOCUMENTS

D215,040 S	8/1969	Abe	
D226,539 S	3/1973	Pearsall	
D238,484 S	1/1976	Ludt, II	
D279,872 S *	7/1985	Thornton et al.	D10/106.5
4,823,118 A	4/1989	Suzuki et al.	
D308,835 S *	6/1990	Fenne	D10/106.1
D377,460 S *	1/1997	Nelson et al.	D10/106.5
7,414,538 B2	8/2008	Cook et al.	
7,760,102 B2	7/2010	Chabanis et al.	
D661,213 S	6/2012	Hojmose	

D664,874 S *	8/2012	Carter et al.	D10/106.2
D669,381 S	10/2012	Hojmose	
2002/0008152 A1	1/2002	Yahav	
2003/0107549 A1	6/2003	Lu	
2007/0017792 A1	1/2007	Chiu et al.	

OTHER PUBLICATIONS

U.S. Appl. No. 29/484,043, filed Mar. 5, 2014, Hojmose.
Search Report for United Kingdom Patent Application No. GB 1315967.8 dated Feb. 19, 2014, 1 page.
U.S. Appl. No. 29/480,852, filed Jan. 30, 2014, Hojmose.

* cited by examiner

Primary Examiner — George D Kirschbaum

(74) *Attorney, Agent, or Firm* — Sheridan Ross P.C.

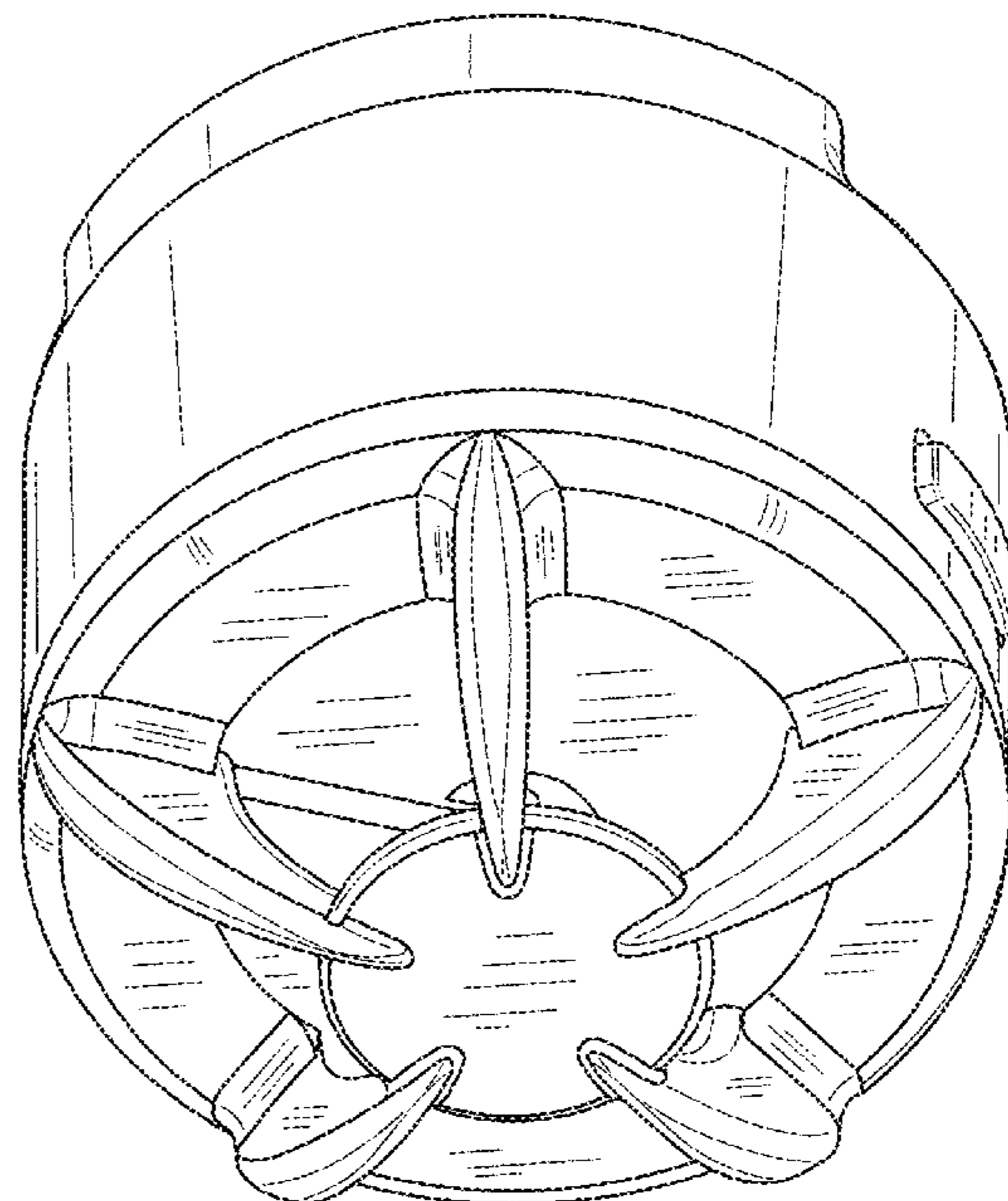
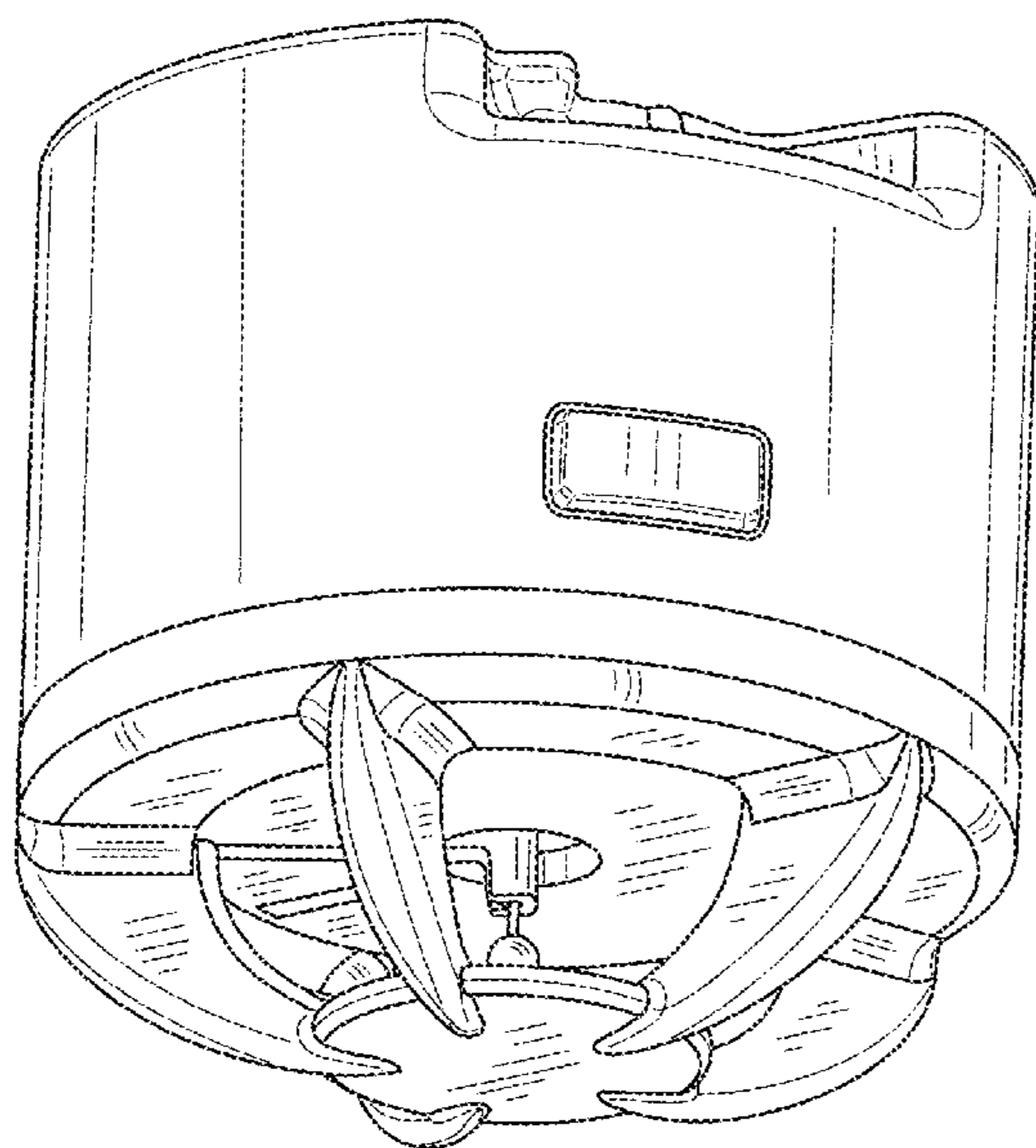
(57) **CLAIM**

The ornamental design for a heat detector, as shown and described.

DESCRIPTION

FIG. 1 is a perspective view of the heat detector;
FIG. 2 is another perspective view of the heat detector of FIG. 1;
FIG. 3 is a bottom plan view of the heat detector of FIG. 1;
FIG. 4 is a left side elevation view of the heat detector illustrated according to the perspective view of FIG. 2;
FIG. 5 is a right side elevation view of the heat detector illustrated according to the perspective view of FIG. 2; and,
FIG. 6 is a top plan view of the heat detector of FIG. 1.
The broken line showing of a battery compartment, battery, and screw heads is included for the purpose of illustrating portions of the "article" and forms no part of the claimed design.

1 Claim, 6 Drawing Sheets



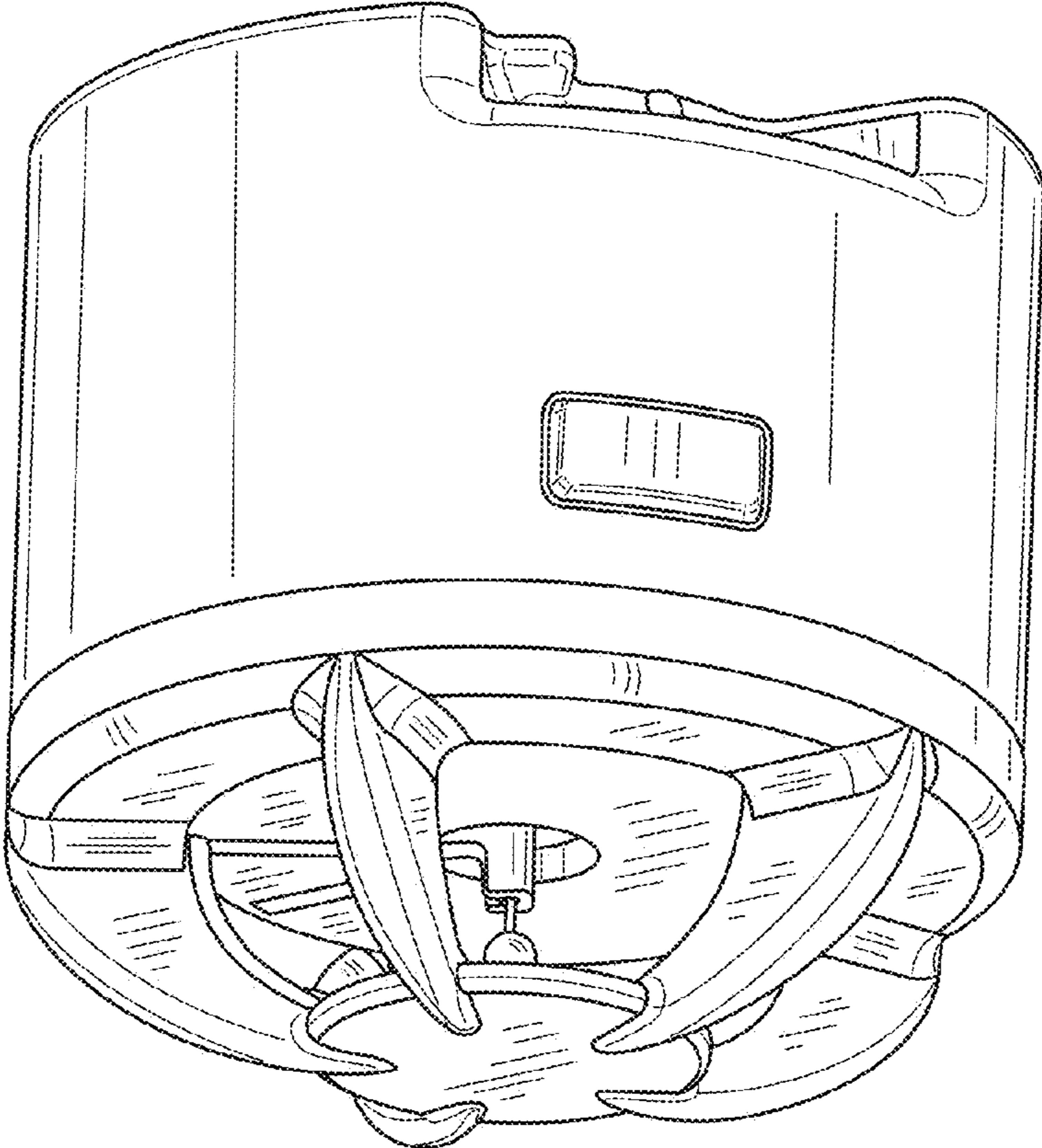


FIG.1

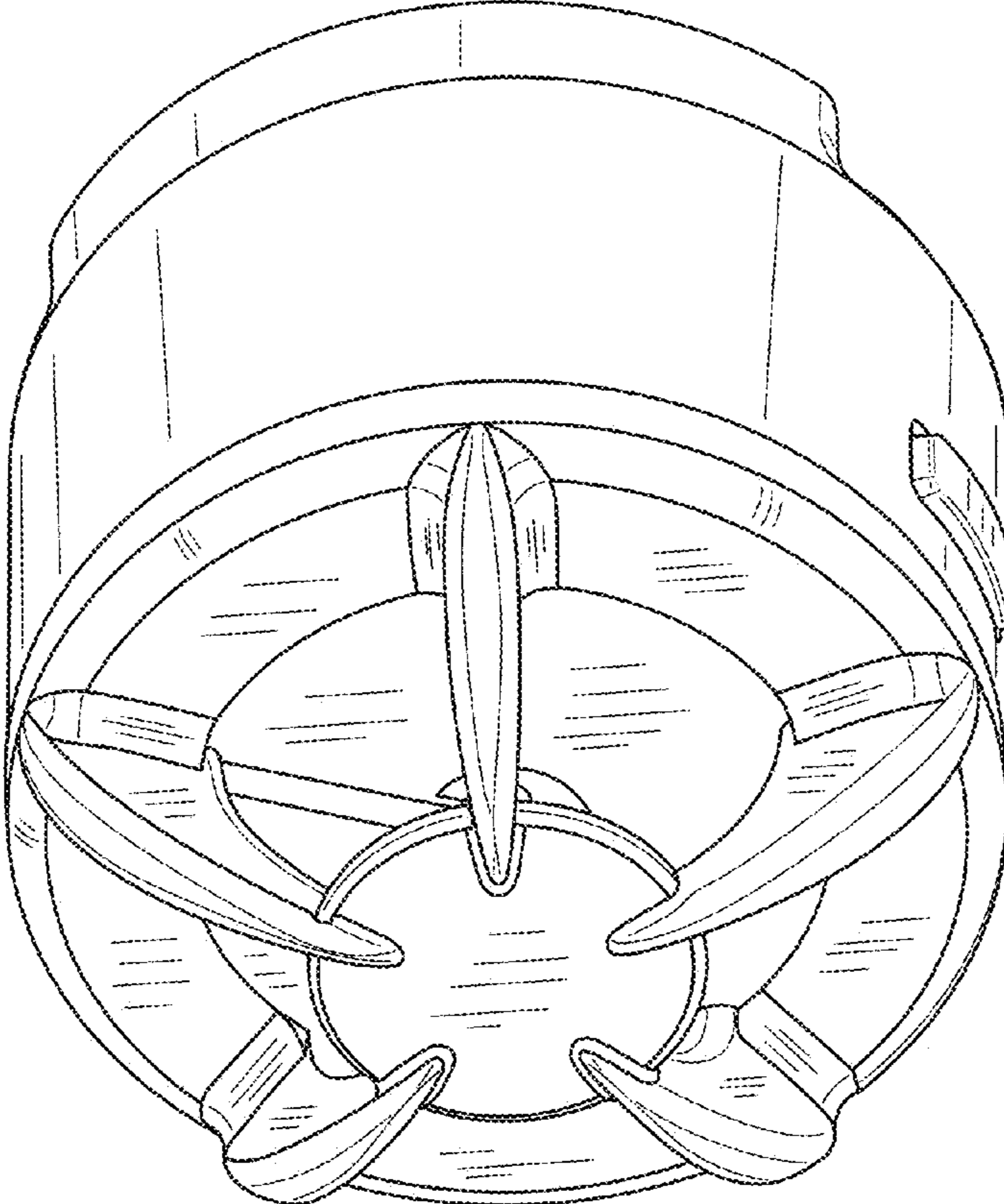


FIG.2

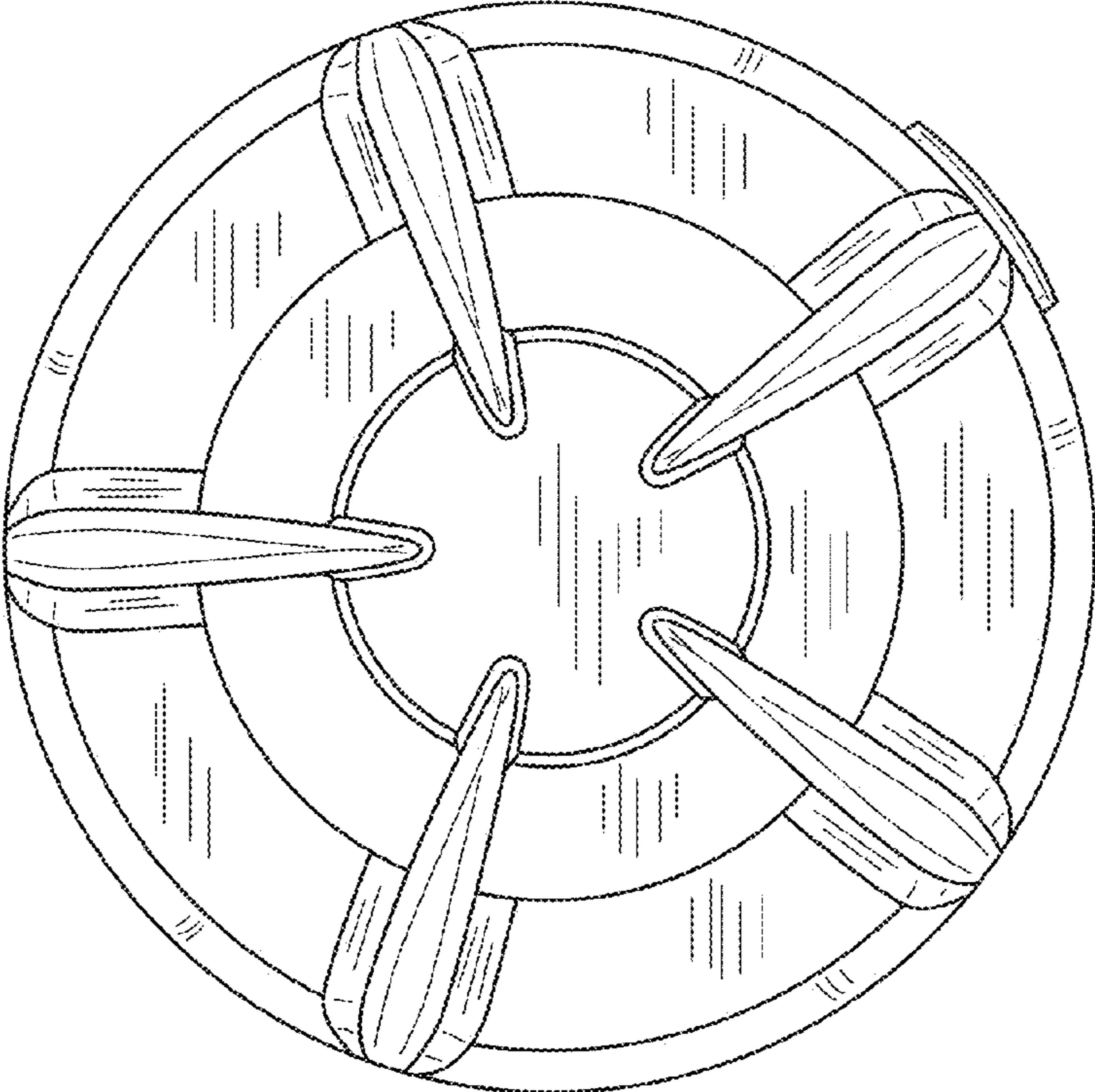


FIG.3

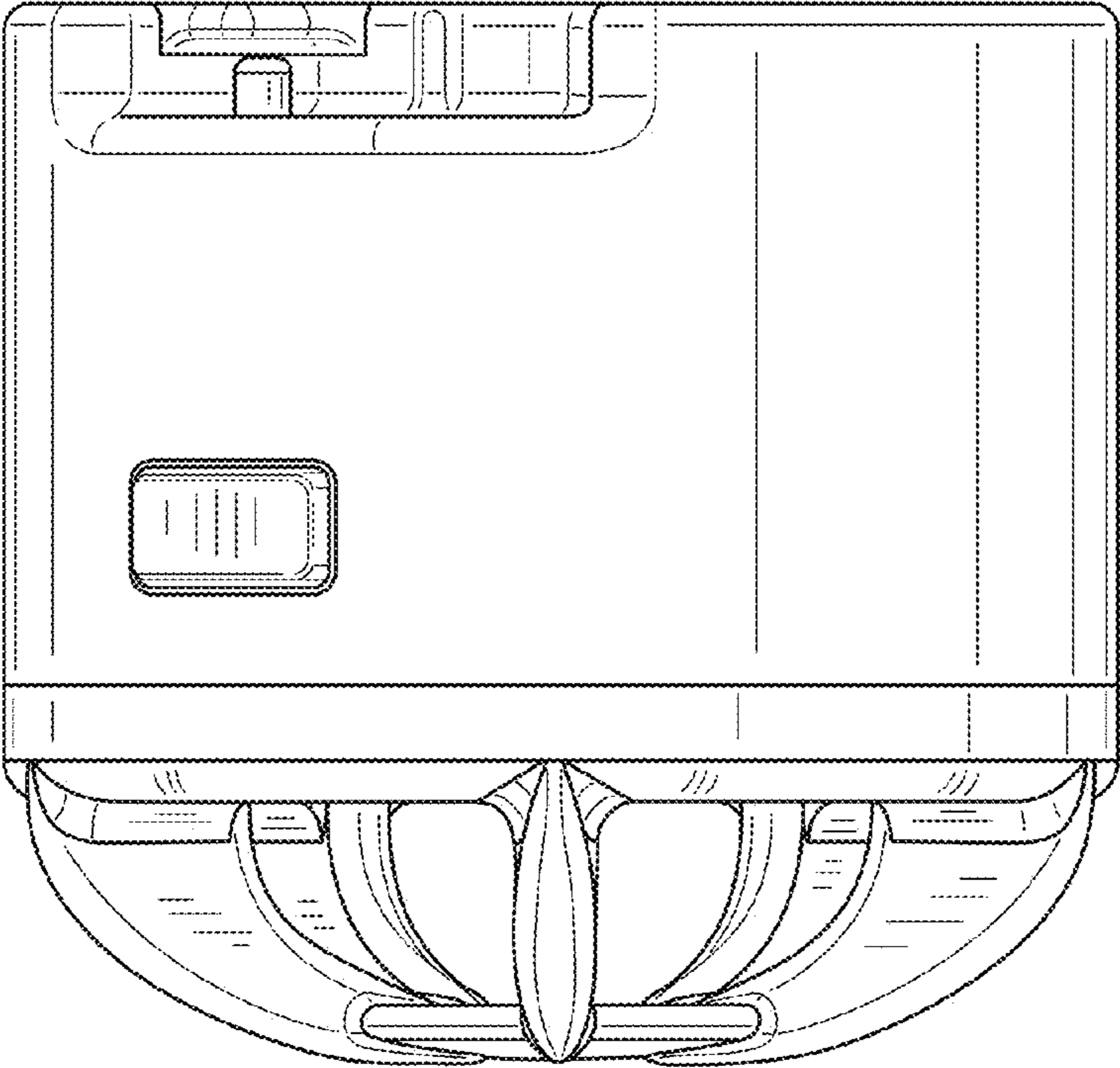


FIG.4

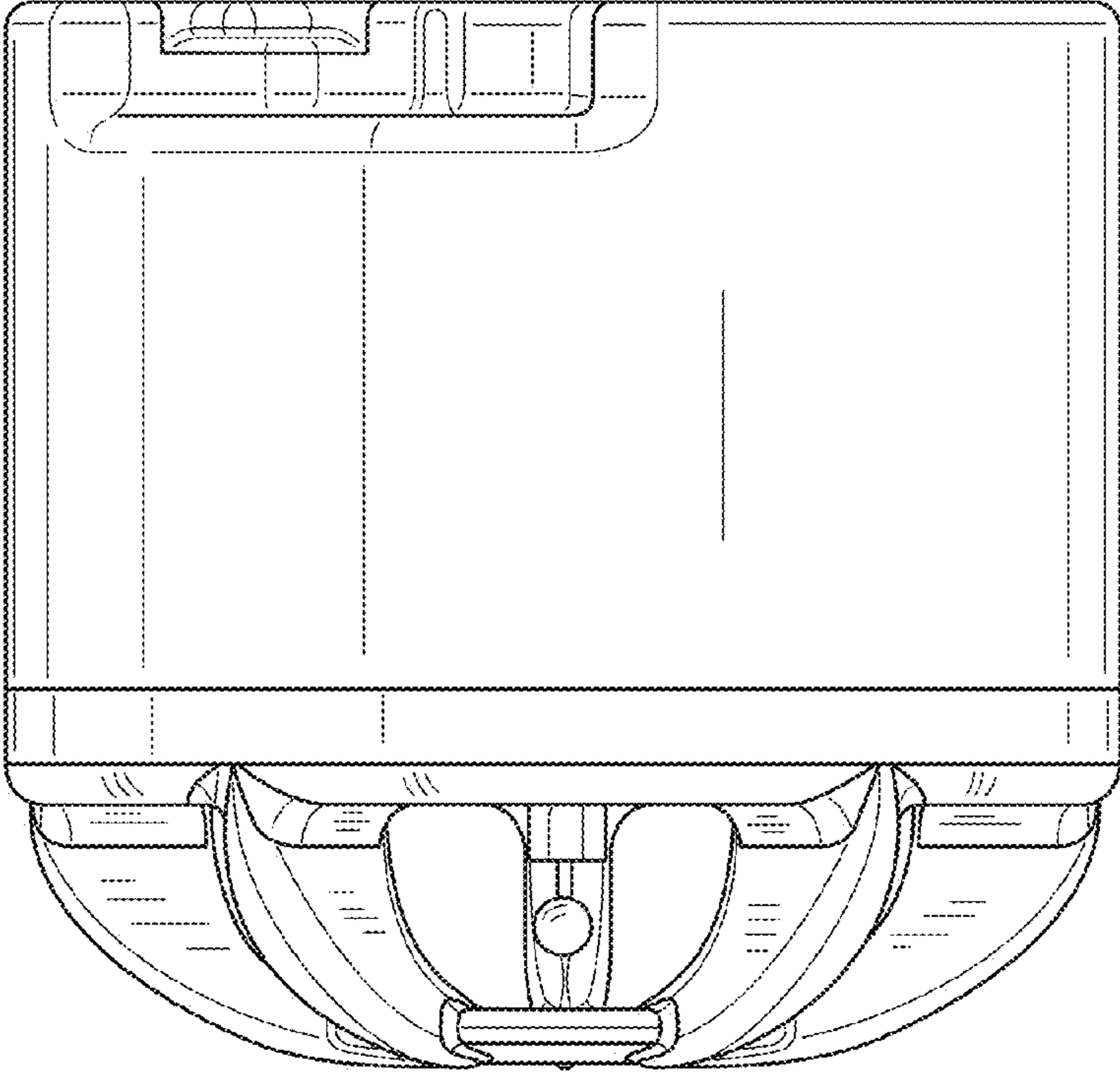


FIG.5

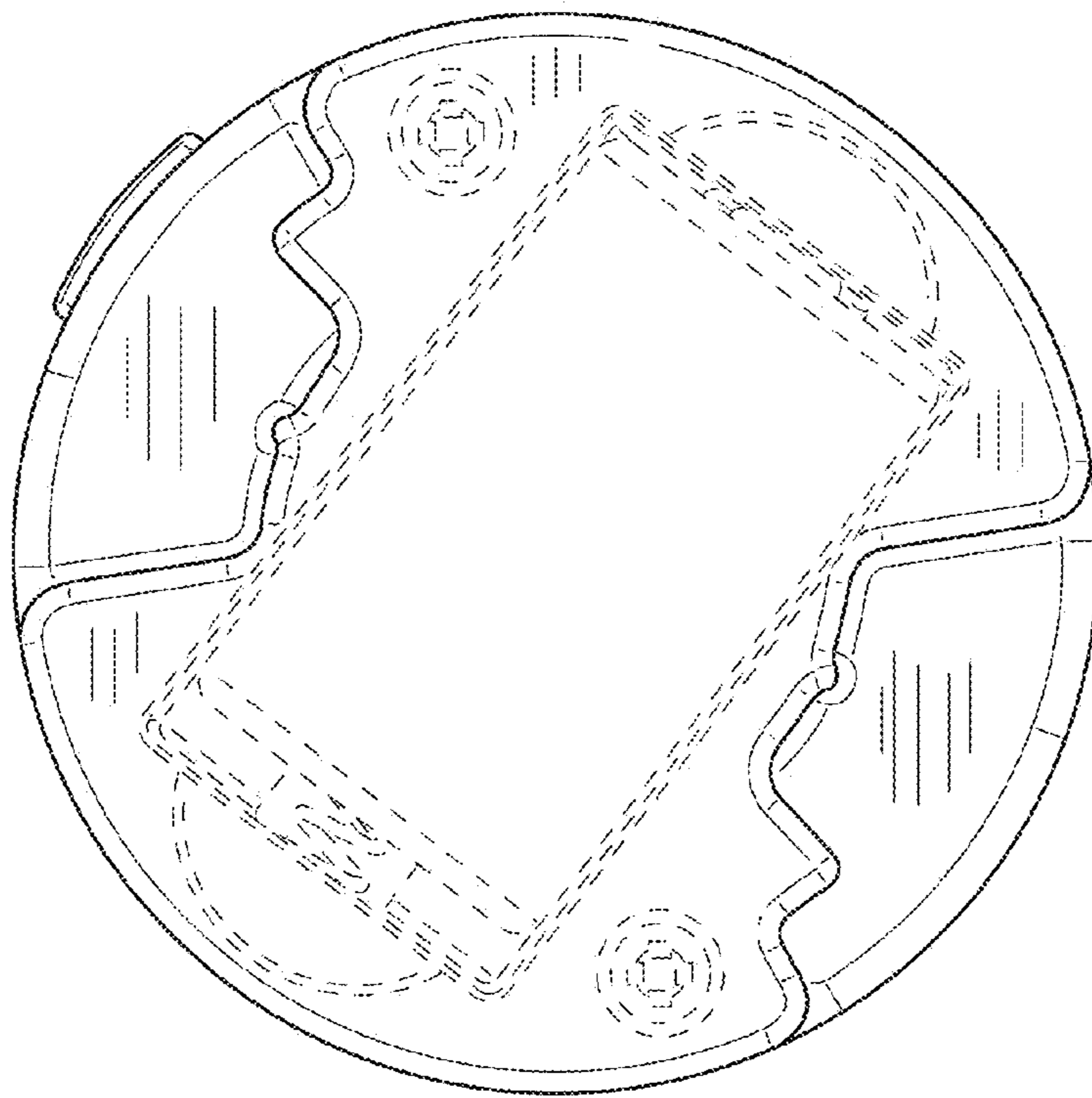


FIG.6