



US00D716168S

(12) **United States Design Patent**  
**Au Yeung**

(10) **Patent No.:** **US D716,168 S**  
(45) **Date of Patent:** **\*\* Oct. 28, 2014**

(54) **MULTI FUNCTION PEDOMETER WITH MEMORY**

345/165, 156, 905; 342/27, 28, 52-58,  
342/419, 450, 457, 458; 250/DIG. 1

See application file for complete search history.

(71) Applicant: **Ariel Premium Supply, Inc.**, St. Louis,  
MO (US)

(56) **References Cited**

(72) Inventor: **Kwok Keung Au Yeung**, New Territories  
(HK)

U.S. PATENT DOCUMENTS

(73) Assignee: **Ariel Premium Supply, Inc.**, St. Louis,  
MO (US)

D460,701 S *	7/2002	Cheng	.....	D10/70
D526,586 S *	8/2006	McCaghren et al.	.....	D10/65
D568,183 S *	5/2008	Ishii	.....	D10/65
D568,186 S *	5/2008	Blair et al.	.....	D10/70
D568,774 S *	5/2008	Kobayakawa	.....	D10/70
D575,649 S *	8/2008	Scalisi et al.	.....	D10/65
D596,514 S *	7/2009	Luzar et al.	.....	D10/70
D612,278 S *	3/2010	McKechnie	.....	D10/98
D631,053 S *	1/2011	Bailey	.....	D10/70
D635,872 S *	4/2011	Au Yeung	.....	D10/70
D643,757 S *	8/2011	Chang	.....	D10/65

(\*\*) Term: **14 Years**

(21) Appl. No.: **29/472,454**

(22) Filed: **Nov. 12, 2013**

\* cited by examiner

(30) **Foreign Application Priority Data**

Sep. 10, 2013 (HK) ..... 1301551

(51) **LOC (10) Cl.** ..... **10-04**

(52) **U.S. Cl.**  
USPC ..... **D10/98; D10/70**

(58) **Field of Classification Search**  
CPC .... A63B 24/00; A63B 2220/14; A63B 71/06;  
A63B 26/00; A63B 24/00075; A63B  
2071/0663; A41D 1/002; A44C 5/0015;  
A44C 5/102; A44C 5/14; A44C 5/02; A61B  
19/44; A61B 2019/446

USPC ..... D10/65, 70, 78, 97, 98; 2/127, 170;  
40/633, 665; 59/80; 63/15.7;  
340/407.1, 665, 323 R; 368/41;  
434/247, 258; 482/1, 2, 4, 8, 9, 44,  
482/148, 901, 74, 909; 600/485, 500, 503,  
600/437, 443, 453, 459, 465, 479, 502, 595,  
600/481, 483; 702/178, 155, 160, 176, 78,  
702/79, 82, 91-95, 104, 116, 141, 150, 151,  
702/154, 127, 131, 182, 183, 189, 1, 60;  
235/105; 377/5, 24.2, 26; 73/514.33,  
73/514.34, 510, 513, 527, 530; 324/522;

*Primary Examiner* — Antoine D Davis

(74) *Attorney, Agent, or Firm* — Intellectual Property Law  
Group LLP

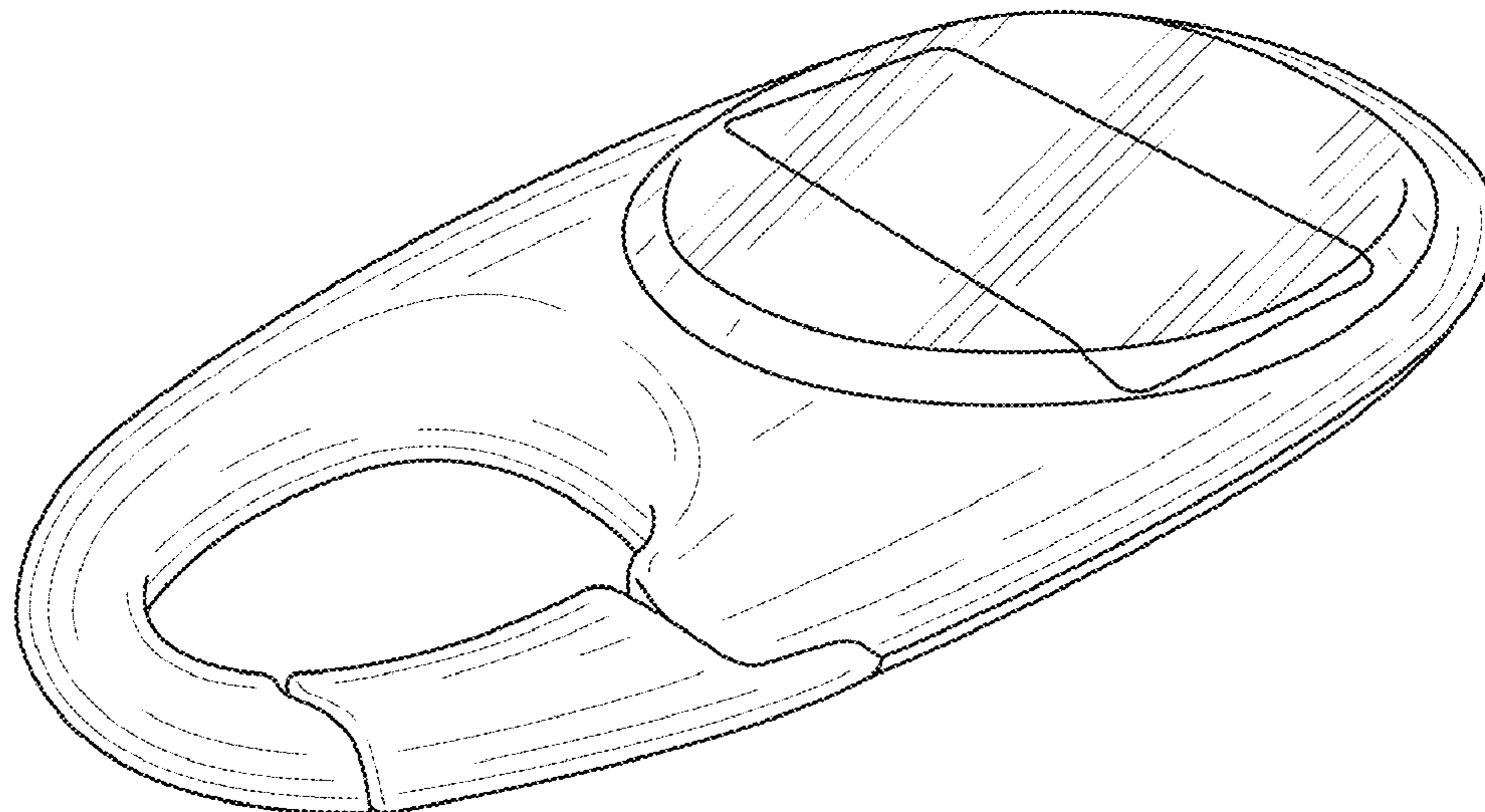
(57) **CLAIM**

The ornamental design for a multi function pedometer with  
memory, as shown and described.

**DESCRIPTION**

FIG. 1 is a perspective view of a multi function pedometer  
with memory embodying my new design;  
FIG. 2 is a top plan view thereof;  
FIG. 3 is a bottom plan view thereof;  
FIG. 4 is a rear view thereof;  
FIG. 5 is a front view thereof;  
FIG. 6 is a left side elevational view thereof; and,  
FIG. 7 is a right side elevational view thereof.

**1 Claim, 3 Drawing Sheets**



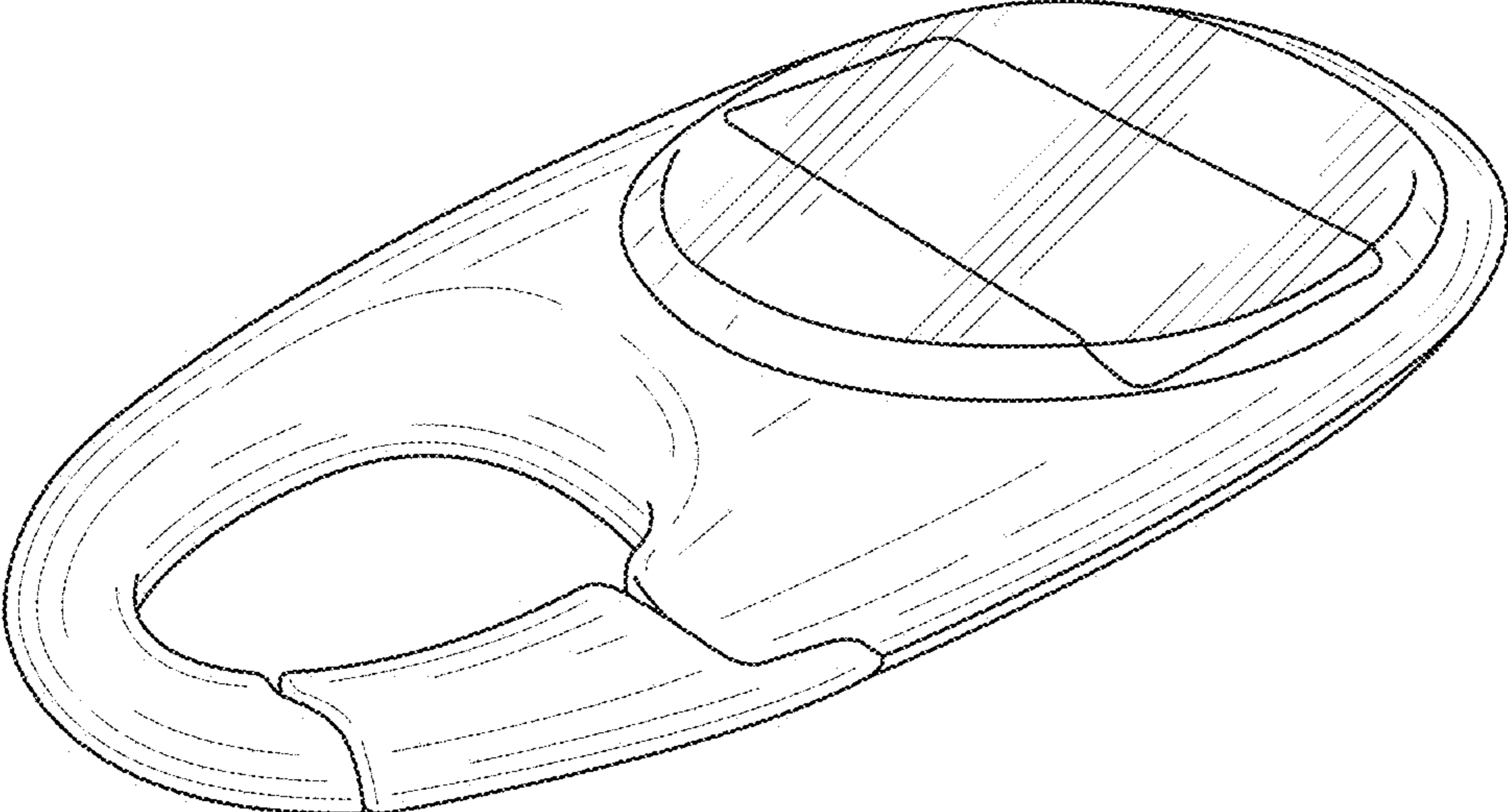


FIG. 1

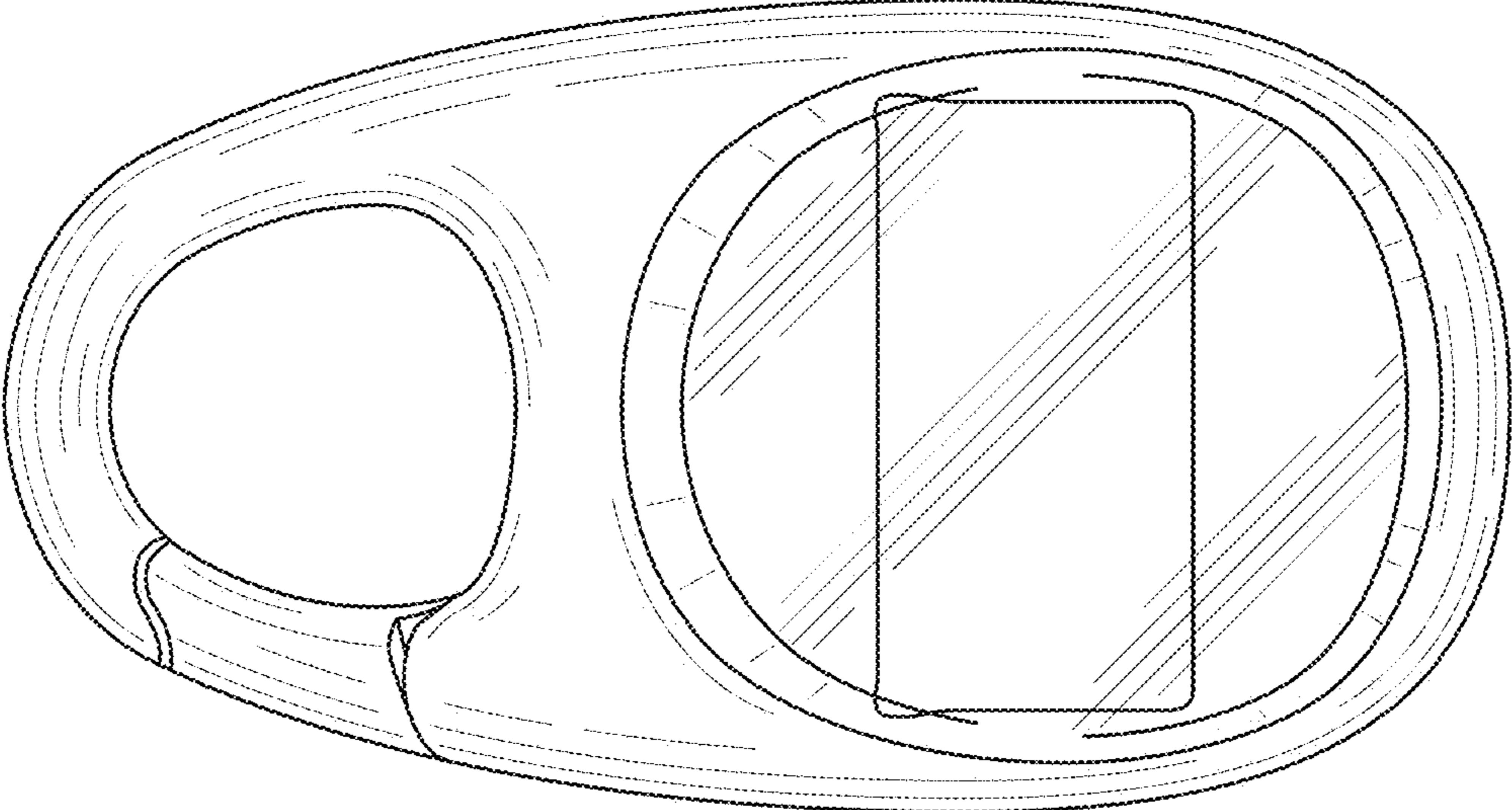


FIG. 2

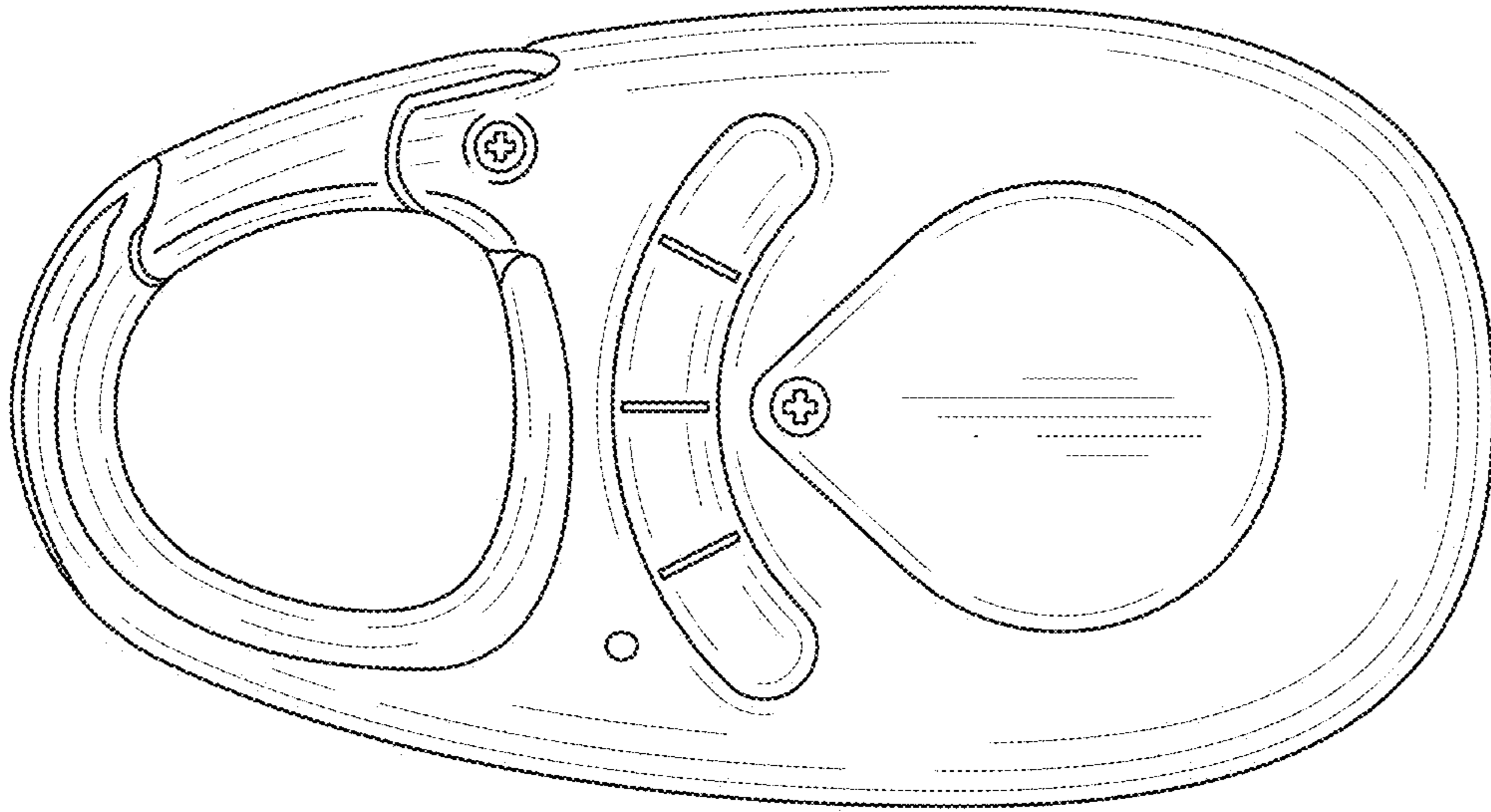


FIG. 3

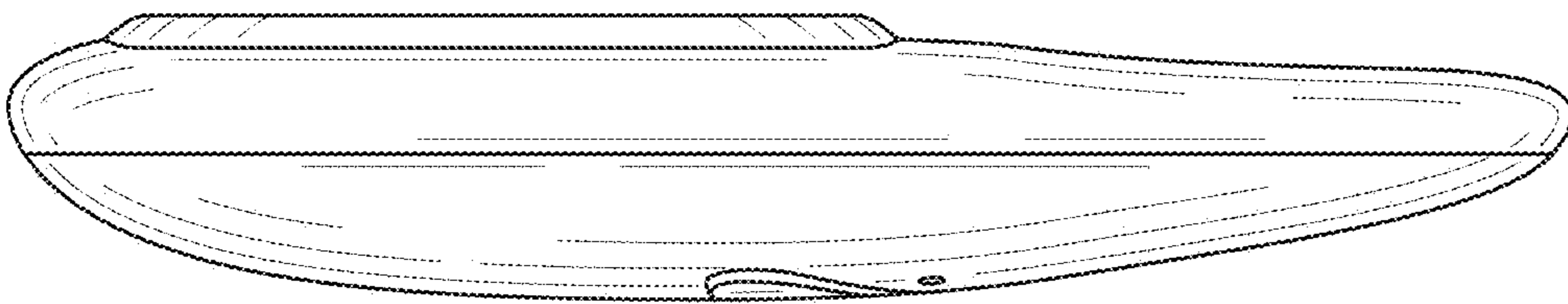


FIG. 4

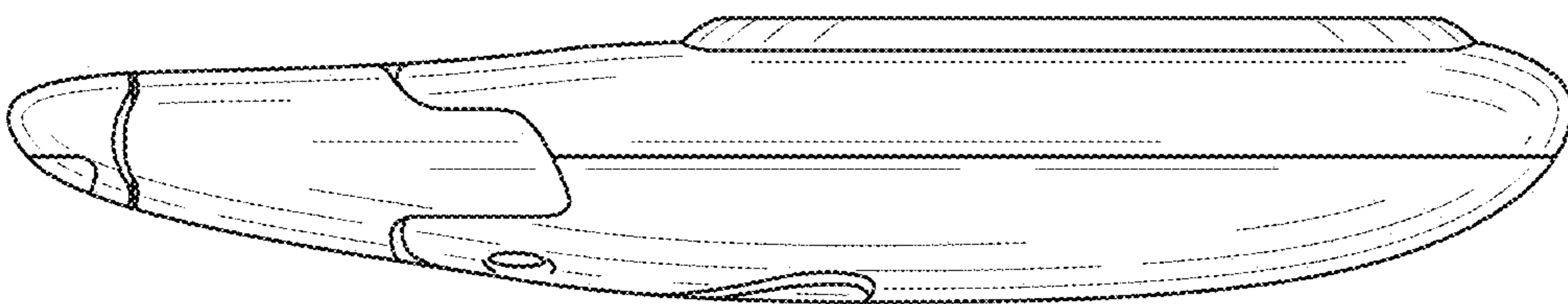
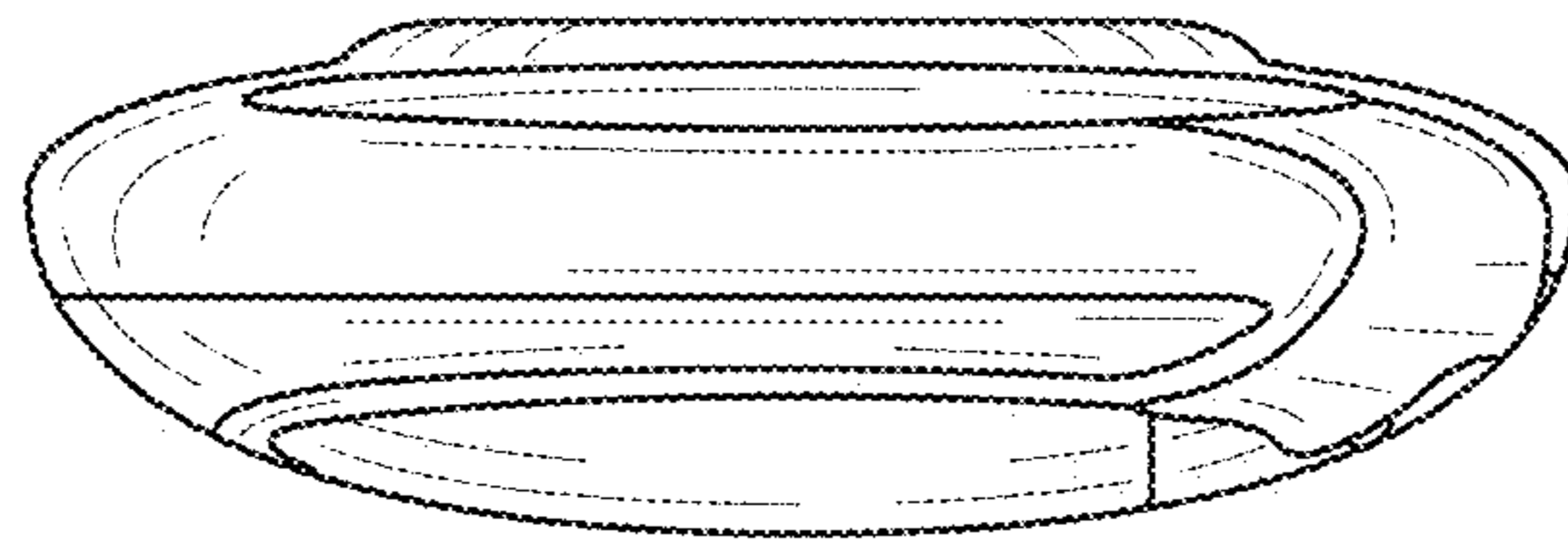


FIG. 5



**FIG. 6**



**FIG. 7**