



US00D716166S

(12) **United States Design Patent**
Au Yeung

(10) **Patent No.:** **US D716,166 S**
(45) **Date of Patent:** **** Oct. 28, 2014**

(54) **BODY FAT PEDOMETER**

73/510, 513, 527, 530; 324/522; 345/165,
345/156, 905; 342/27, 28, 52-58, 419, 450,
342/457, 458; 250/DIG. 1

(71) Applicant: **Ariel Premium Supply, Inc.**, St. Louis,
MO (US)

See application file for complete search history.

(72) Inventor: **Kwok Keung Au Yeung**, New Territories
(HK)

(56) **References Cited**

(73) Assignee: **Ariel Premium Supply, Inc.**, St. Louis,
MO (US)

U.S. PATENT DOCUMENTS

(**) Term: **14 Years**

D525,889 S *	8/2006	Oas	D10/70
D528,445 S *	9/2006	Au Yeung	D10/70
D573,490 S *	7/2008	Au Yeung	D10/70
D578,418 S *	10/2008	Au Yeung	D10/70
D595,166 S *	6/2009	Lhuillery et al.	D10/70
D595,168 S *	6/2009	Au Yeung	D10/70
D635,871 S *	4/2011	Au Yeung	D10/70
D635,872 S *	4/2011	Au Yeung	D10/70
D657,702 S *	4/2012	Au Yeung	D10/70
D677,590 S *	3/2013	Au Yeung	D10/70
D677,592 S *	3/2013	Au Yeung	D10/70
D677,891 S *	3/2013	Janus	D3/289

(21) Appl. No.: **29/472,452**

(22) Filed: **Nov. 12, 2013**

(30) **Foreign Application Priority Data**

Sep. 10, 2013 (HK) 1301550

* cited by examiner

(51) **LOC (10) Cl.** **10-04**

Primary Examiner — Antoine D Davis

(52) **U.S. Cl.**
USPC **D10/98; D10/70**

(74) *Attorney, Agent, or Firm* — Intellectual Property Law Group LLP

(58) **Field of Classification Search**
CPC A41D 1/002; A44C 5/0015; A44C 5/102;
A44C 5/14; A44C 5/02; A61B 19/44; A61B
2019/446; A63B 71/06; A63B 26/00; A63B
24/0075; A63B 2071/0663; G09F 3/005;
G06F 1/163; G06F 3/038; G06F 3/03547

(57) **CLAIM**

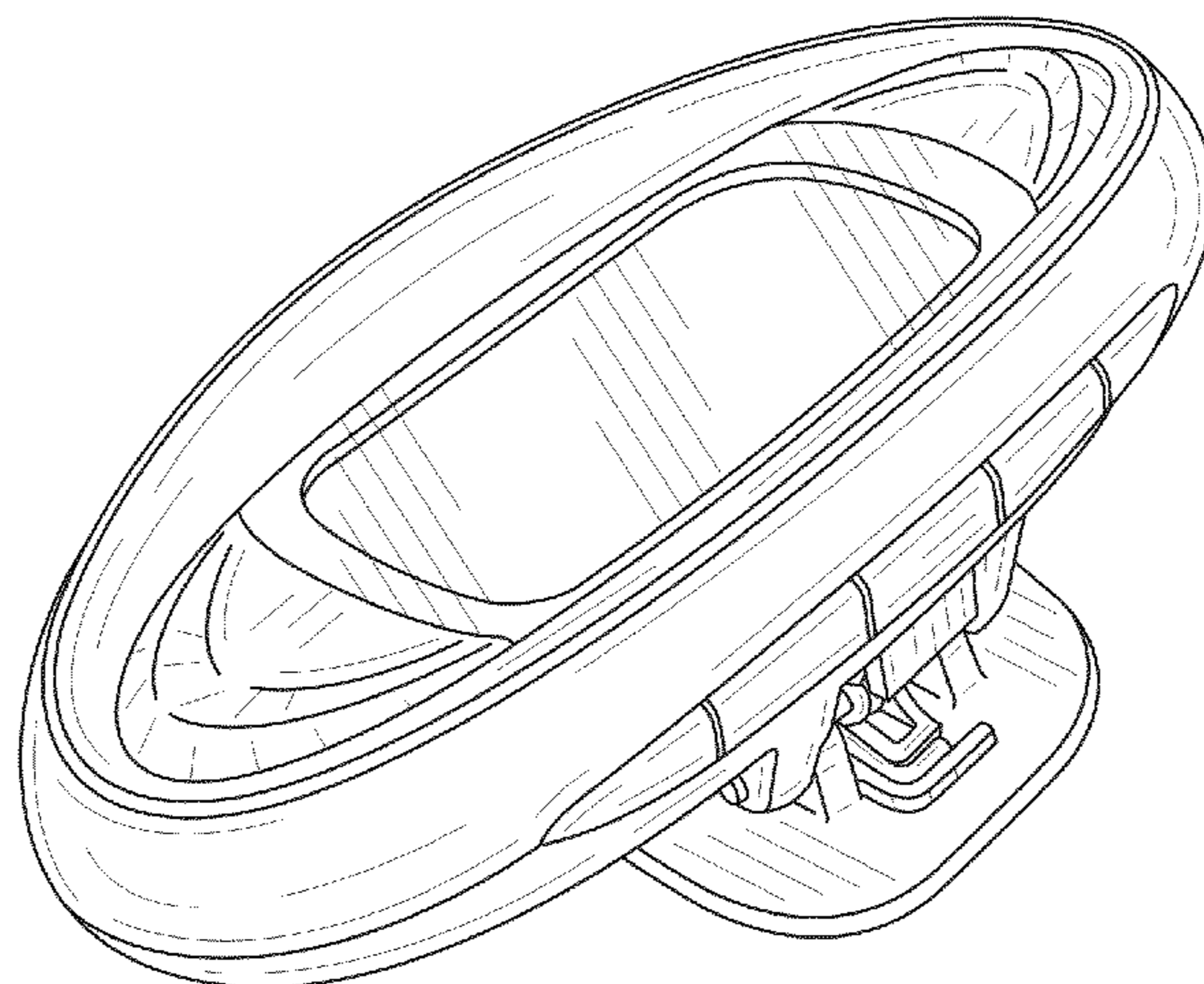
The ornamental design for a body fat pedometer, as shown and described.

USPC D10/65, 70, 78, 97, 98; 2/127, 170;
40/633, 665; 59/80; 63/15.7;
340/407.1, 665, 323 R; 368/41;
434/247, 258; 482/1, 2, 4, 8, 9, 44,
482/148, 901, 74, 909; 600/485, 500, 503,
600/437, 443, 453, 459, 465, 479, 502, 595,
600/481, 483; 702/178, 155, 160, 176, 78,
702/79, 82, 91-95, 104, 116, 141, 150, 151,
702/154, 127, 131, 182, 183, 189; 235/105;
377/5, 24.2, 26; 73/514.33, 514.34,

DESCRIPTION

FIG. 1 is a perspective view of a body fat pedometer embodying my new design;
FIG. 2 is a front view thereof;
FIG. 3 is a rear view thereof;
FIG. 4 is a right side elevational view thereof;
FIG. 5 is a left side elevational view thereof;
FIG. 6 is a top plan view thereof; and,
FIG. 7 is a bottom plan view thereof.

1 Claim, 3 Drawing Sheets



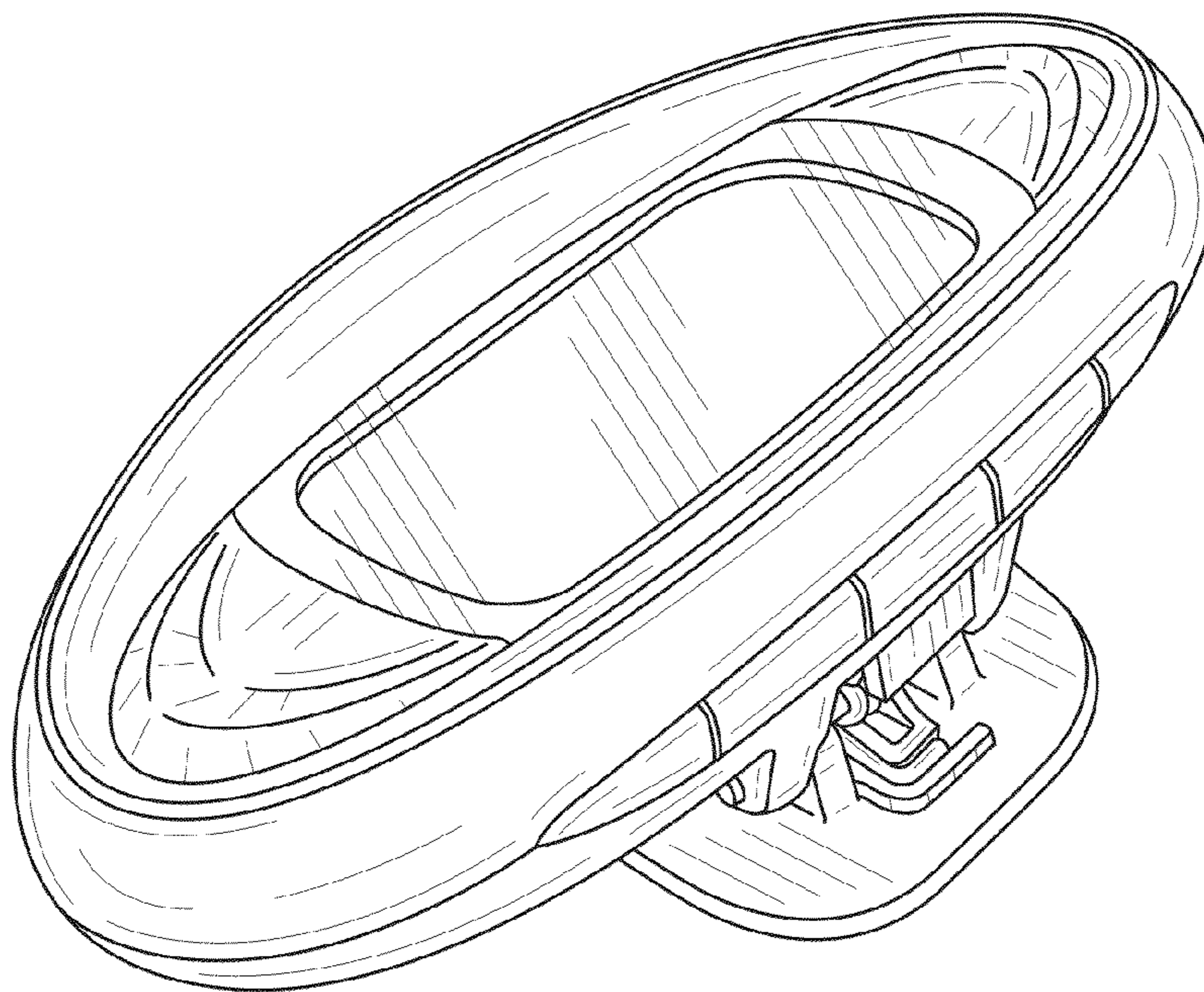


FIG. 1

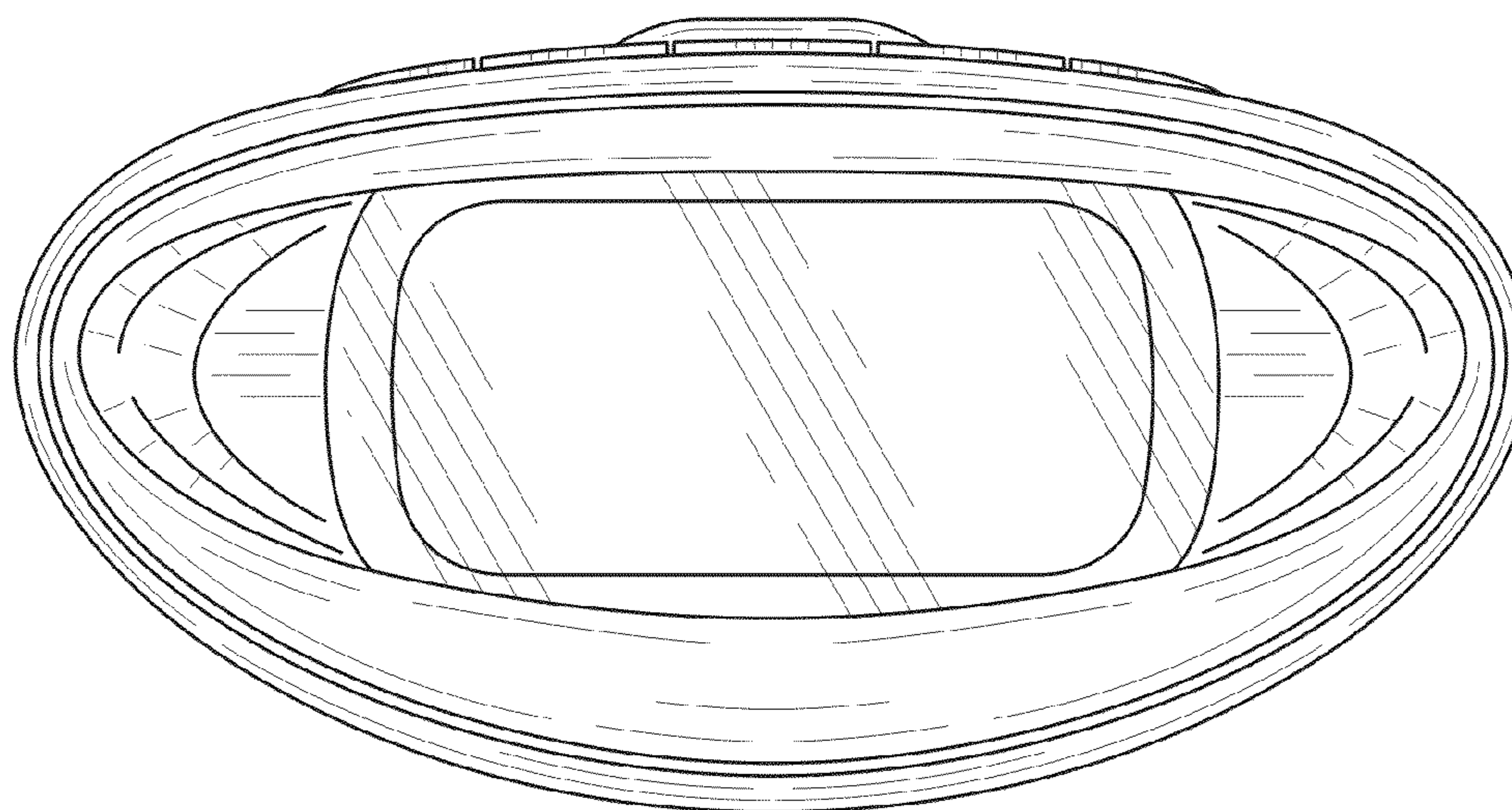


FIG. 2

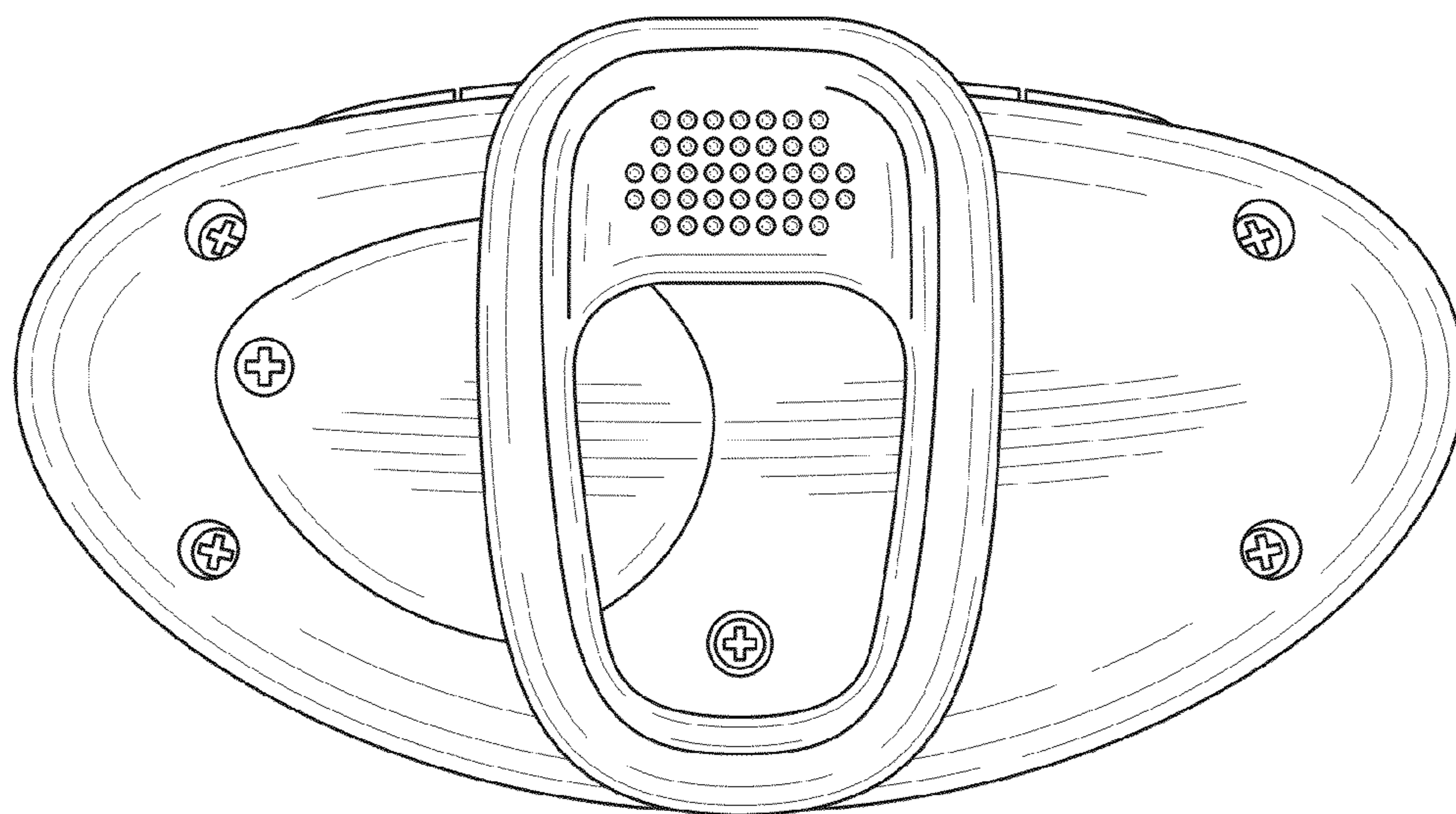


FIG. 3

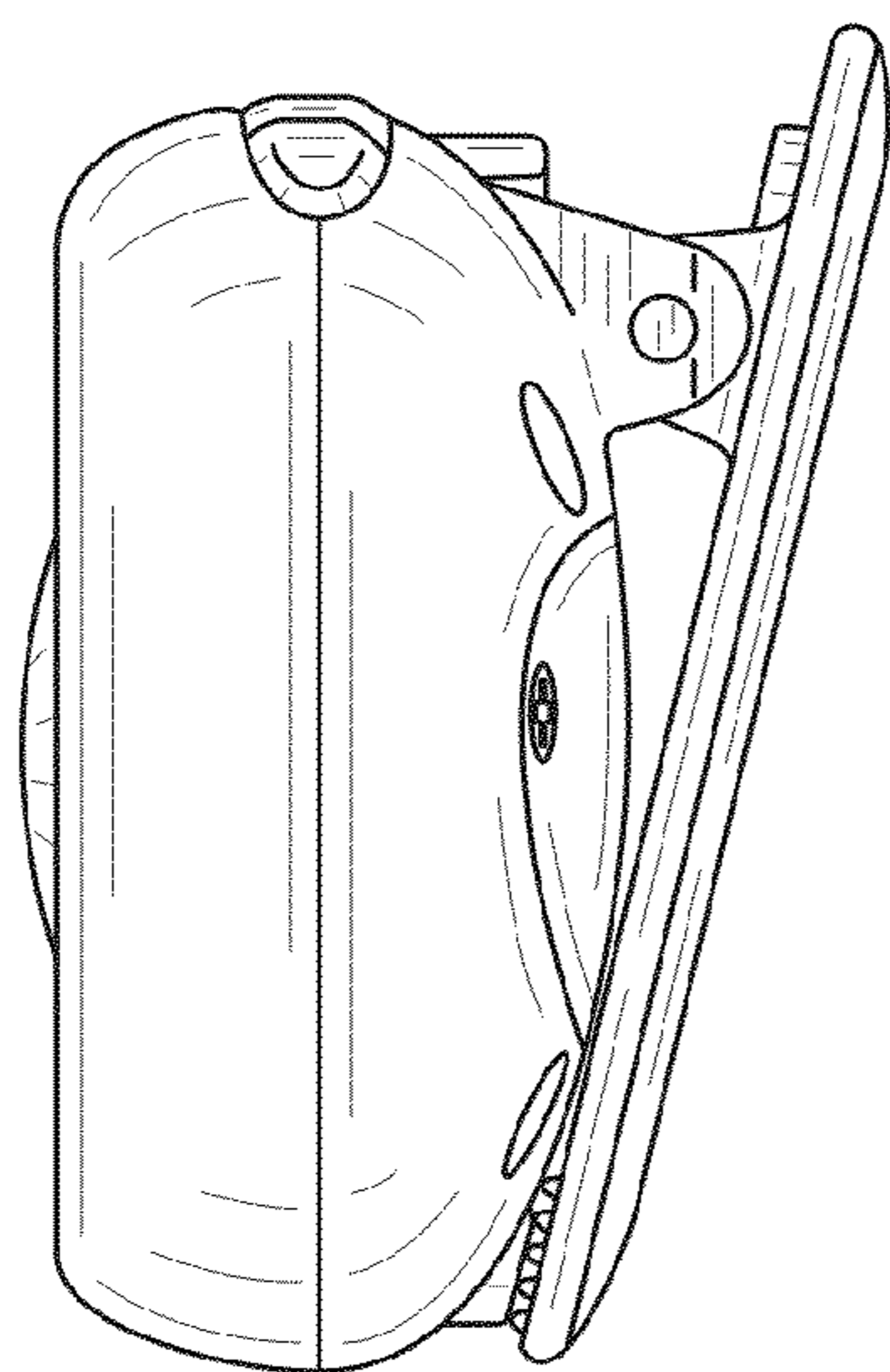


FIG. 4

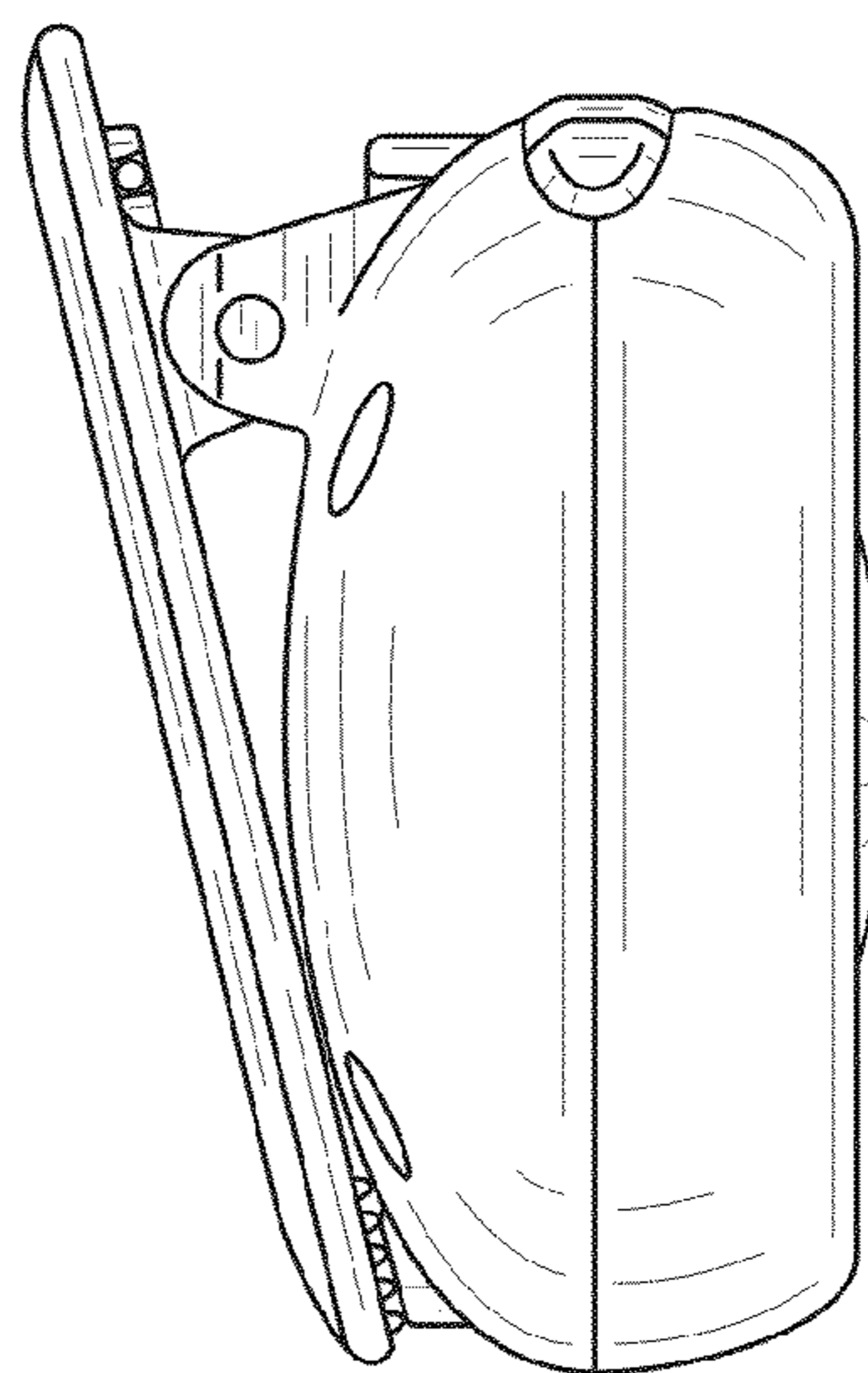


FIG. 5

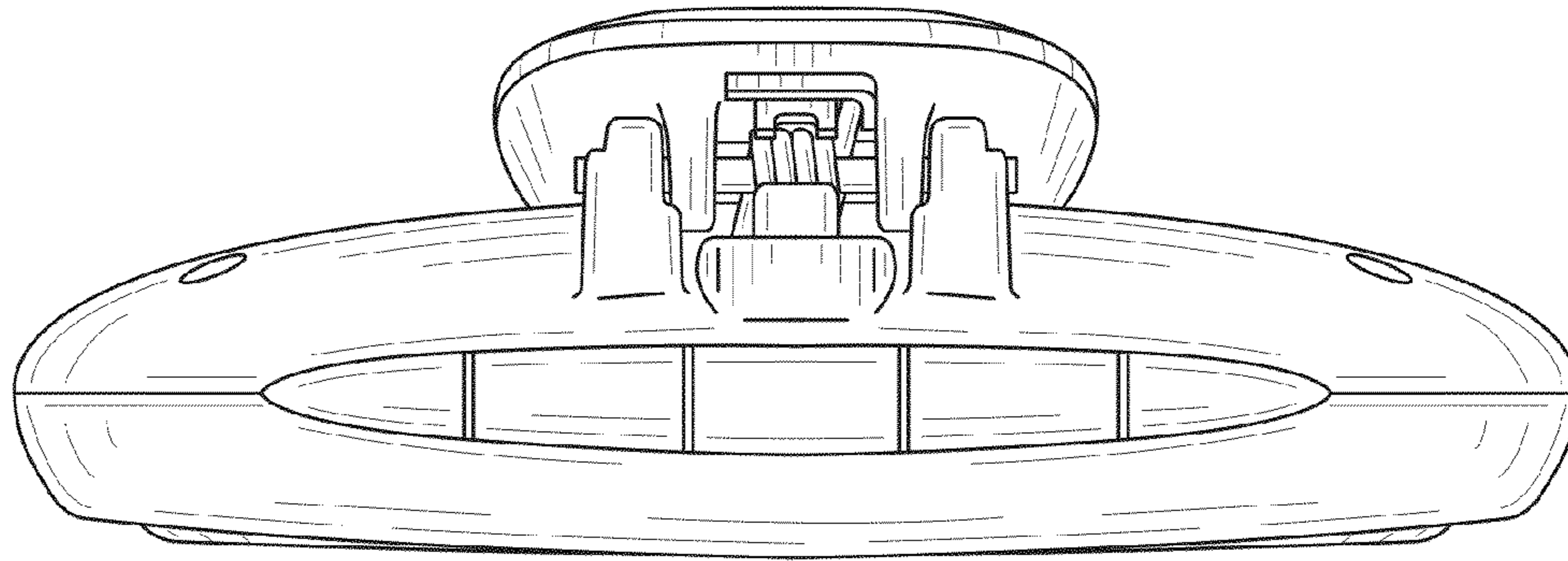


FIG. 6

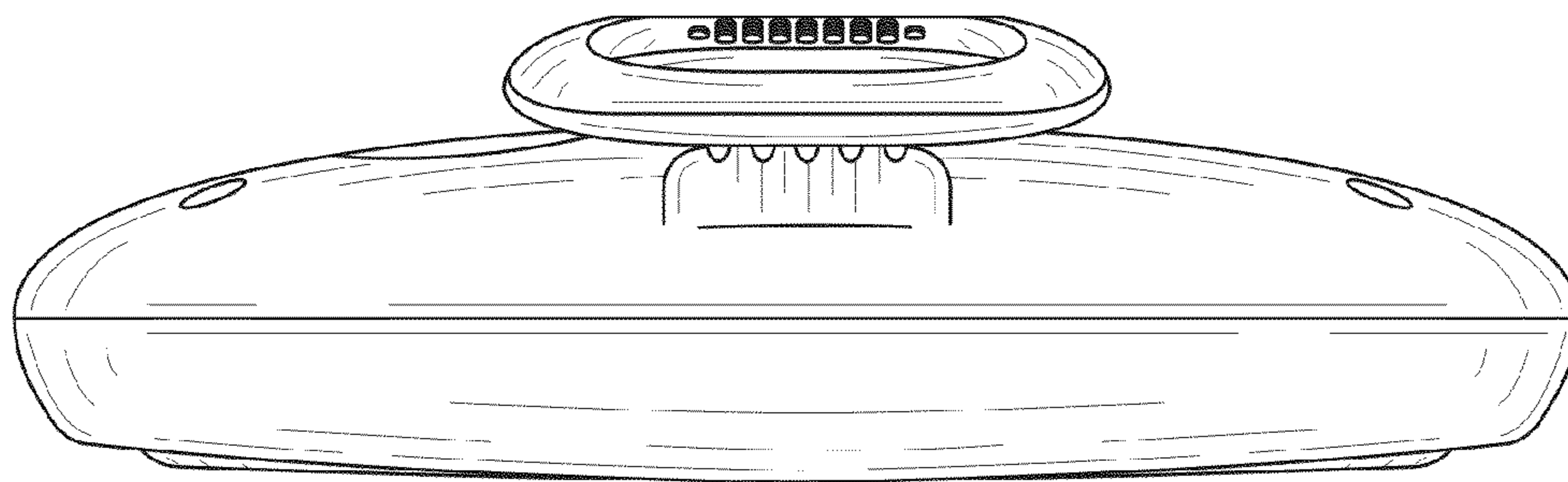


FIG. 7