



US00D716165S

(12) **United States Design Patent**  
**Au Yeung**

(10) **Patent No.:** **US D716,165 S**  
(45) **Date of Patent:** **\*\* Oct. 28, 2014**

(54) **PEDOMETER**

73/510, 513, 527, 530; 324/522; 345/165,  
345/156, 905; 342/27, 28, 52-58, 419, 450,  
342/457, 458; 250/DIG. 1

(71) Applicant: **Ariel Premium Supply, Inc.**, St. Louis,  
MO (US)

See application file for complete search history.

(72) Inventor: **Kwok Keung Au Yeung**, New Territories  
(HK)

(56)

**References Cited**

U.S. PATENT DOCUMENTS

(73) Assignee: **Ariel Premium Supply, Inc.**, St. Louis,  
MO (US)

D525,889	S	*	8/2006	Oas	.....	D10/70
D528,445	S	*	9/2006	Au Yeung	.....	D10/70
D573,490	S	*	7/2008	Au Yeung	.....	D10/70
D578,418	S	*	10/2008	Au Yeung	.....	D10/70
D595,166	S	*	6/2009	Lhuillery et al.	.....	D10/70
D595,168	S	*	6/2009	Au Yeung	.....	D10/70
D635,871	S	*	4/2011	Au Yeung	.....	D10/70
D635,872	S	*	4/2011	Au Yeung	.....	D10/70
D657,702	S	*	4/2012	Au Yeung	.....	D10/70
D677,590	S	*	3/2013	Au Yeung	.....	D10/70
D677,592	S	*	3/2013	Au Yeung	.....	D10/70
D677,891	S	*	3/2013	Janus	.....	D3/289

(\*\*) Term: **14 Years**

(21) Appl. No.: **29/472,451**

(22) Filed: **Nov. 12, 2013**

(30) **Foreign Application Priority Data**

Sep. 10, 2013 (HK) ..... 1301554

(51) **LOC (10) CL.** ..... **10-04**

(52) **U.S. CL.**  
USPC ..... **D10/98; D10/70**

(58) **Field of Classification Search**  
CPC ..... A41D 1/002; A44C 5/0015; A44C 5/102;  
A44C 5/14; A44C 5/02; A61B 19/44; A61B  
2019/446; A63B 71/06; A63B 26/00; A63B  
24/0075; A63B 2071/0663; G09F 3/005;  
G06F 1/163; G06F 3/038; G06F 3/03547  
USPC ..... D10/65, 70, 78, 97, 98; 2/127, 170;  
40/633, 665; 59/80; 63/15.7;  
340/407.1, 665, 323 R; 368/41;  
434/247, 258; 482/1, 2, 4, 8, 9, 44,  
482/148, 901, 74, 909; 600/485, 500, 503,  
600/437, 443, 453, 459, 465, 479, 502, 595,  
600/481, 483; 702/178, 155, 160, 176, 78,  
702/79, 82, 91-95, 104, 116, 141, 150, 151,  
702/154, 127, 131, 182, 183, 189; 235/105;  
377/5, 24.2, 26; 73/514.33, 514.34,

\* cited by examiner

*Primary Examiner* — Antoine D Davis

(74) *Attorney, Agent, or Firm* — Intellectual Property Law  
Group LLP

(57)

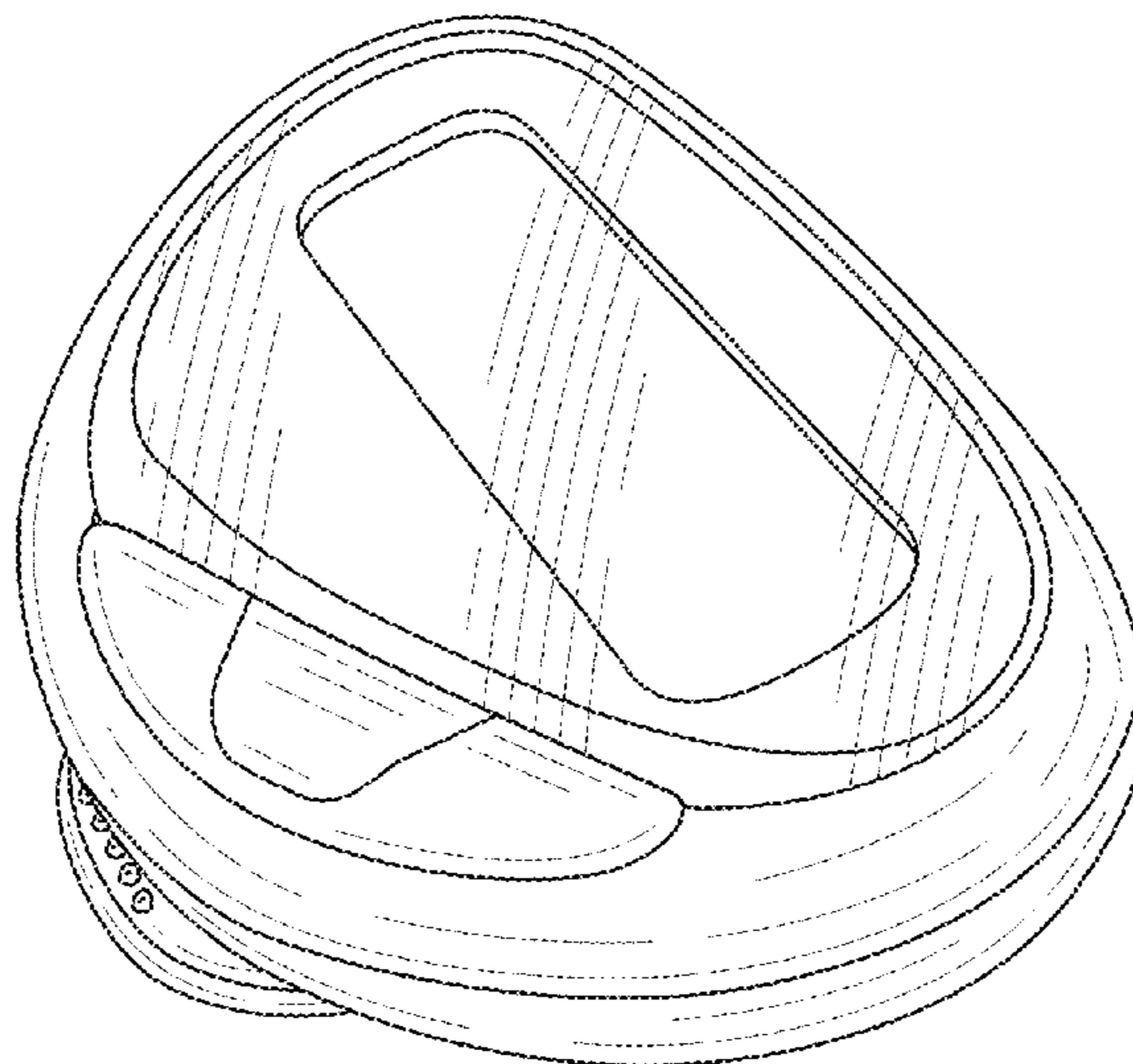
**CLAIM**

The ornamental design for a pedometer, as shown and  
described.

**DESCRIPTION**

FIG. 1 is a perspective view of a pedometer embodying my  
new design;  
FIG. 2 is a front view thereof;  
FIG. 3 is a rear view thereof;  
FIG. 4 is a right side elevational view thereof;  
FIG. 5 is a left side elevational view thereof;  
FIG. 6 is a top plan view thereof; and,  
FIG. 7 is a bottom plan view thereof.

**1 Claim, 3 Drawing Sheets**



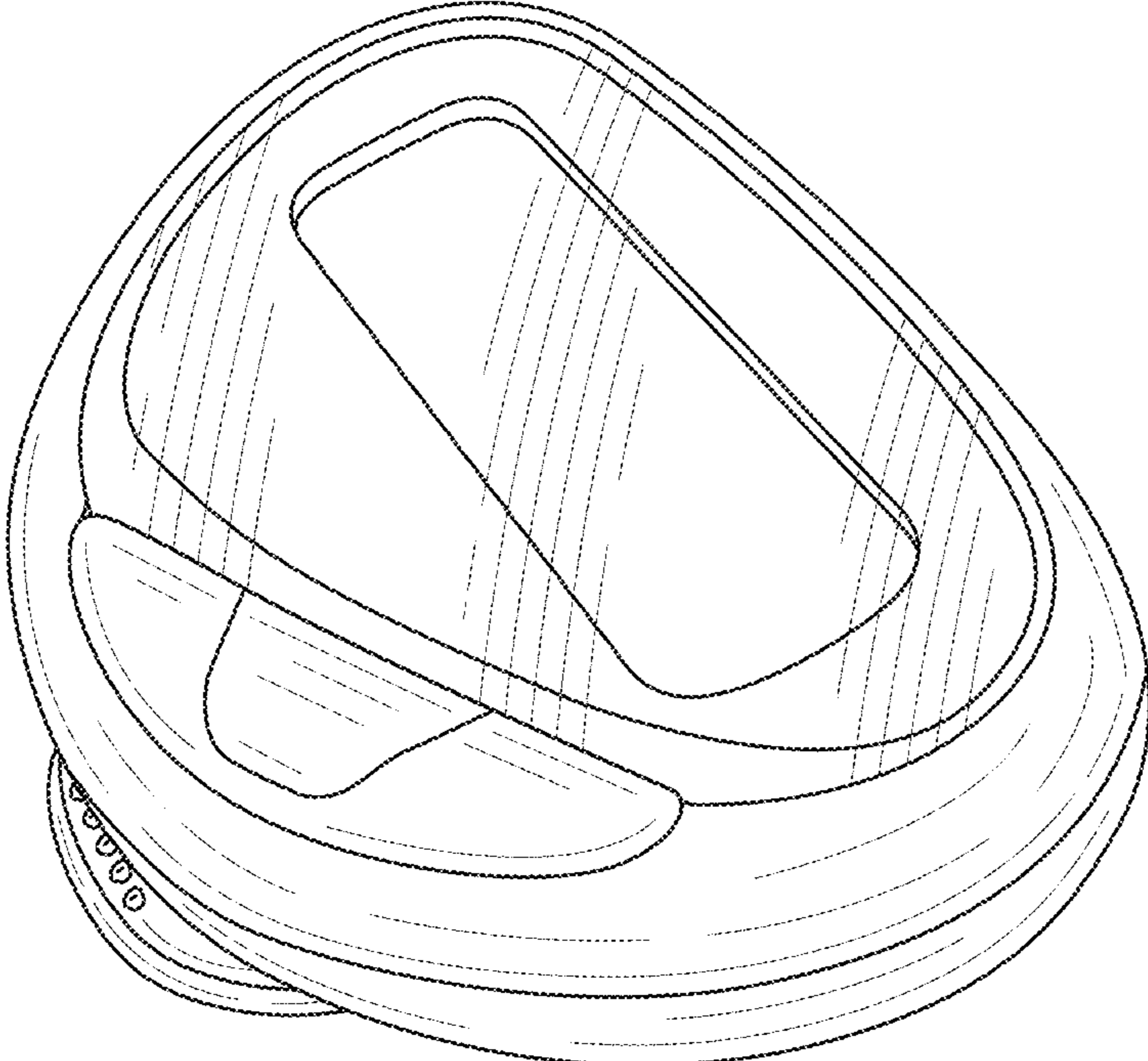


FIG. 1

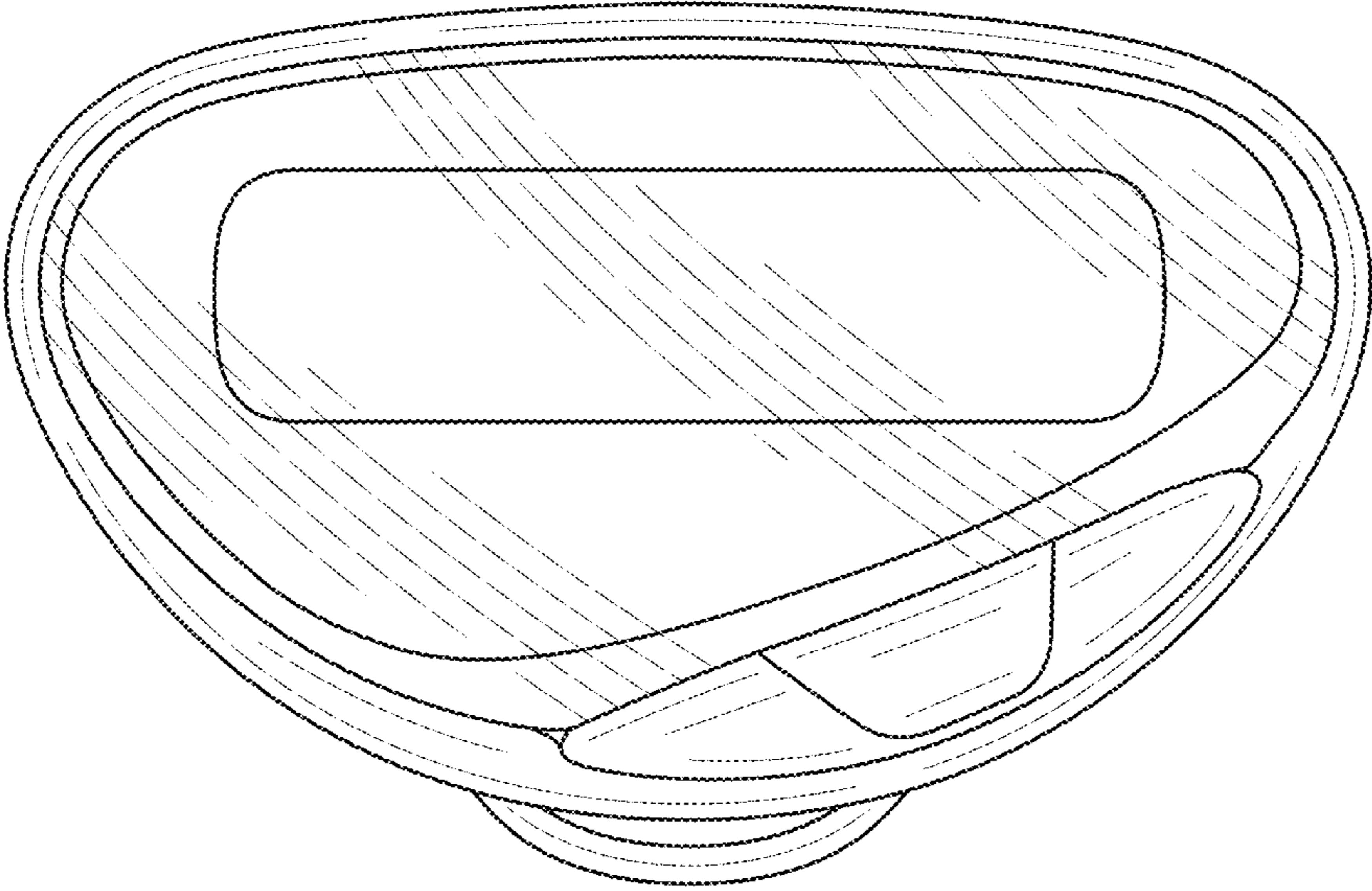


FIG. 2

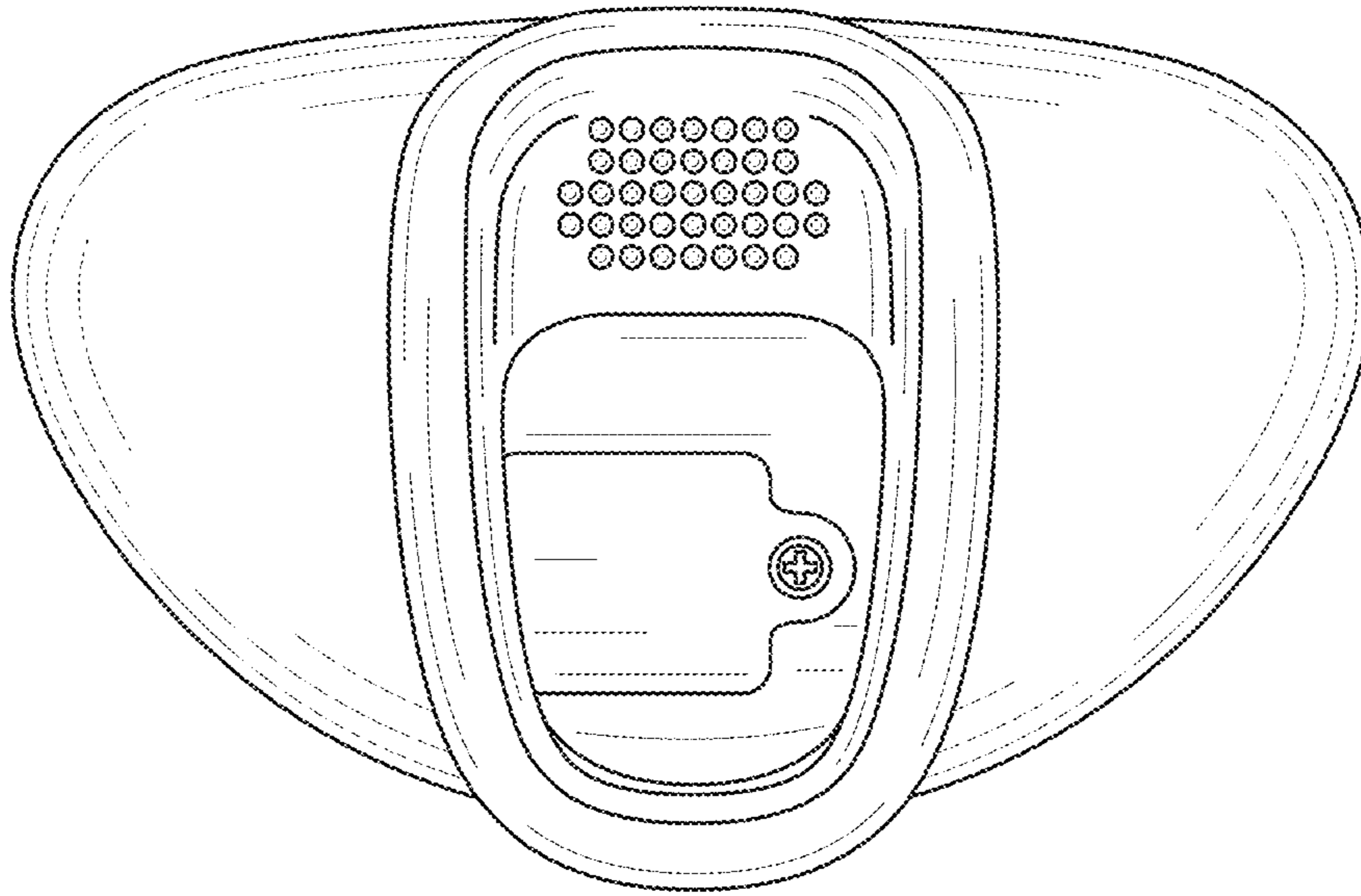


FIG. 3

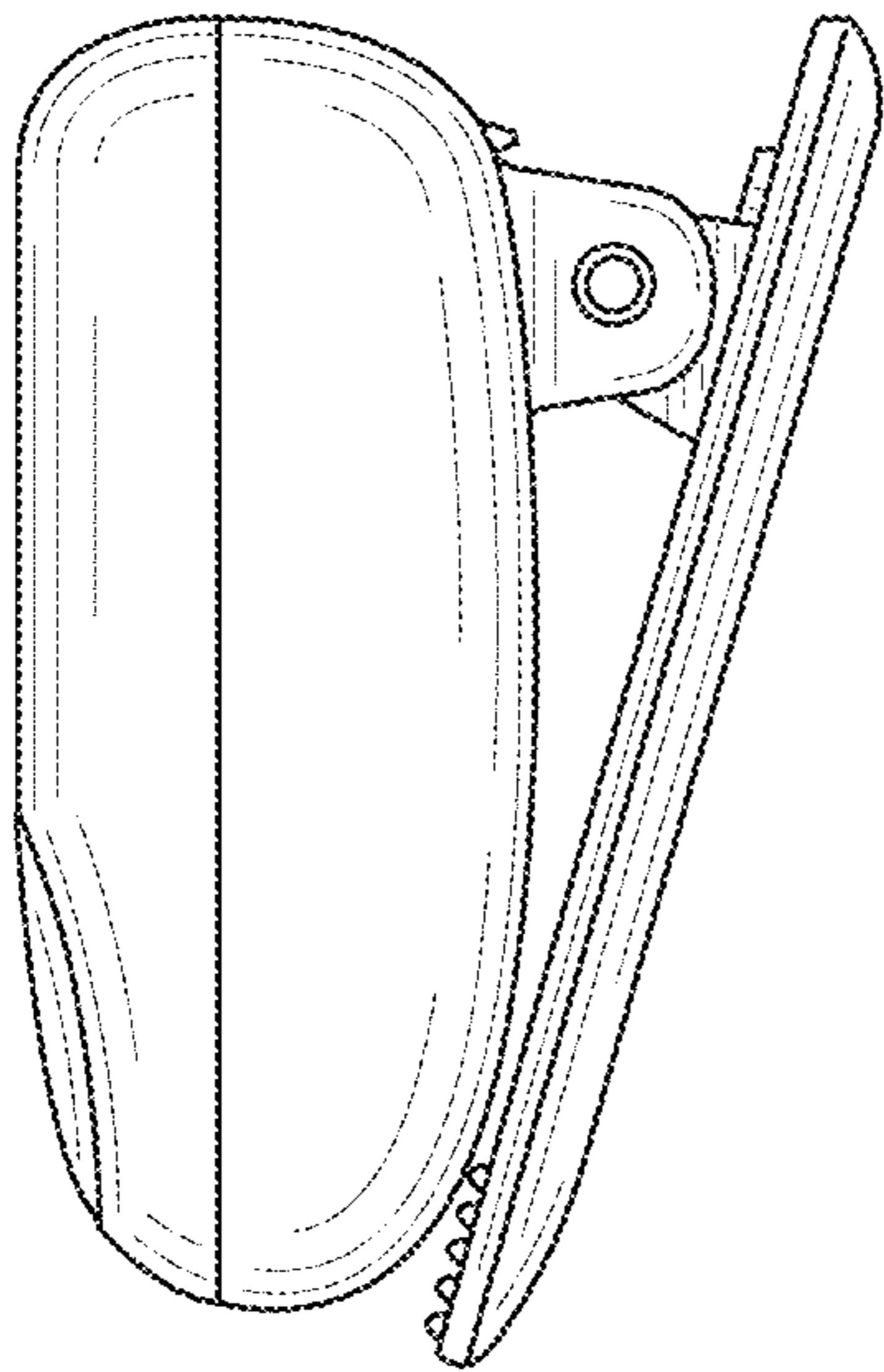


FIG. 4

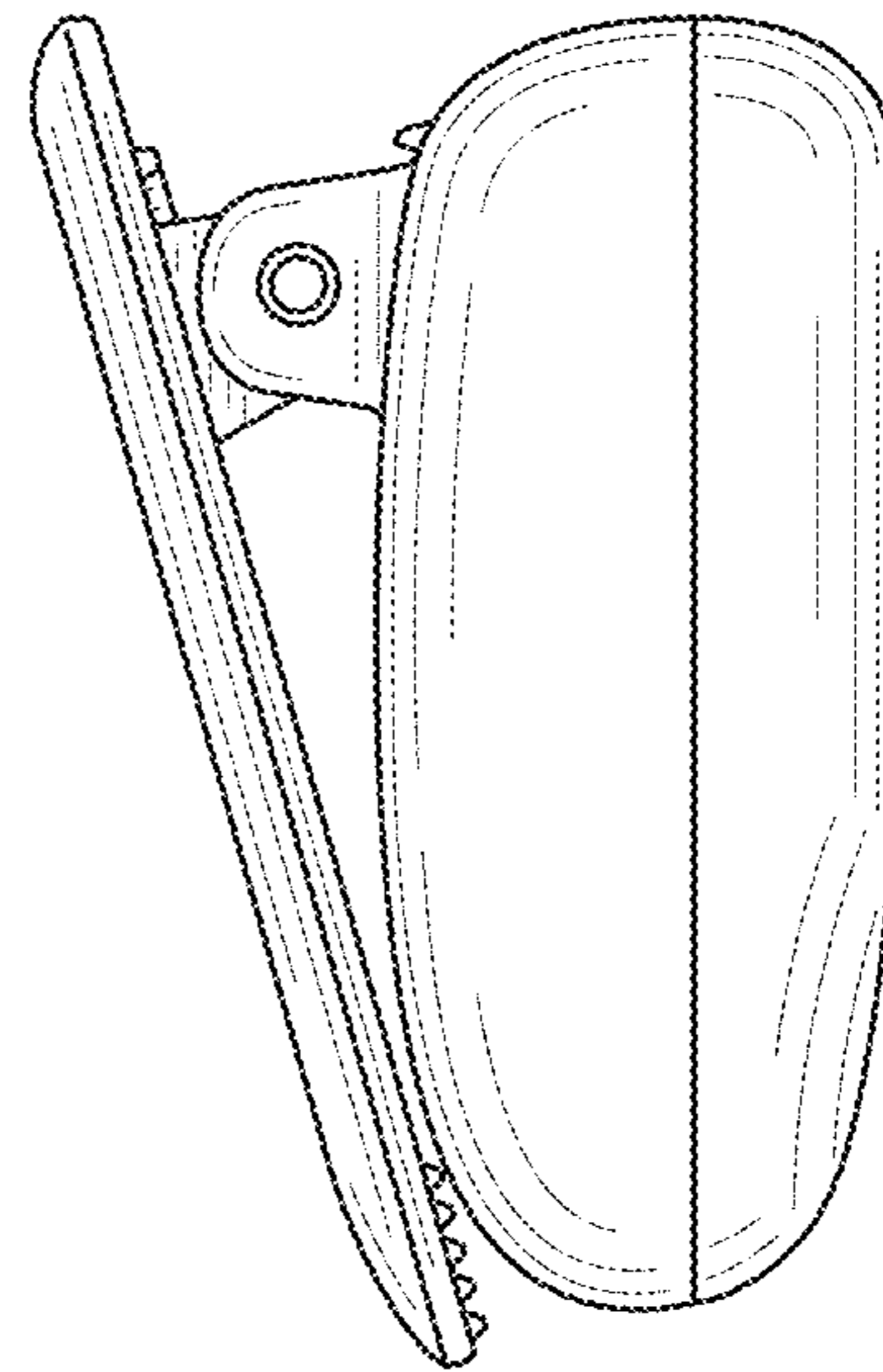


FIG. 5

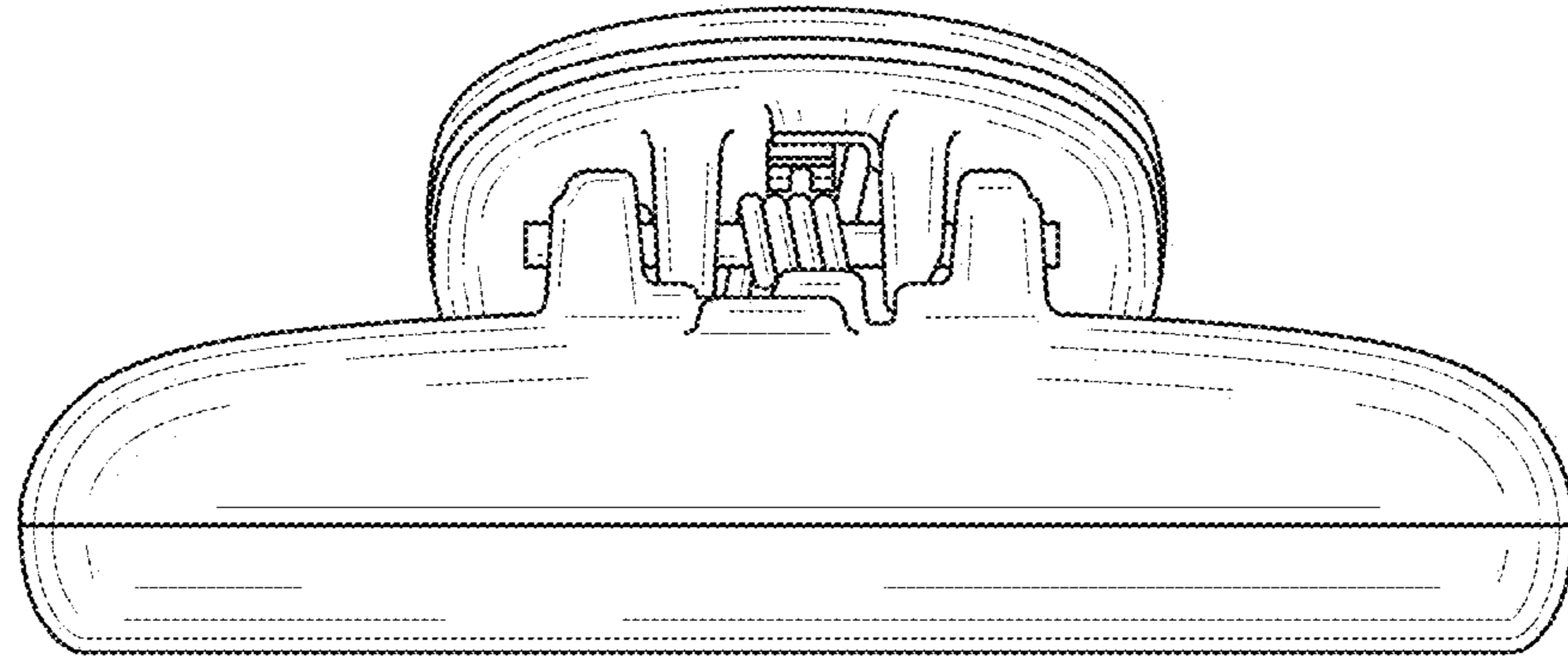


FIG. 6

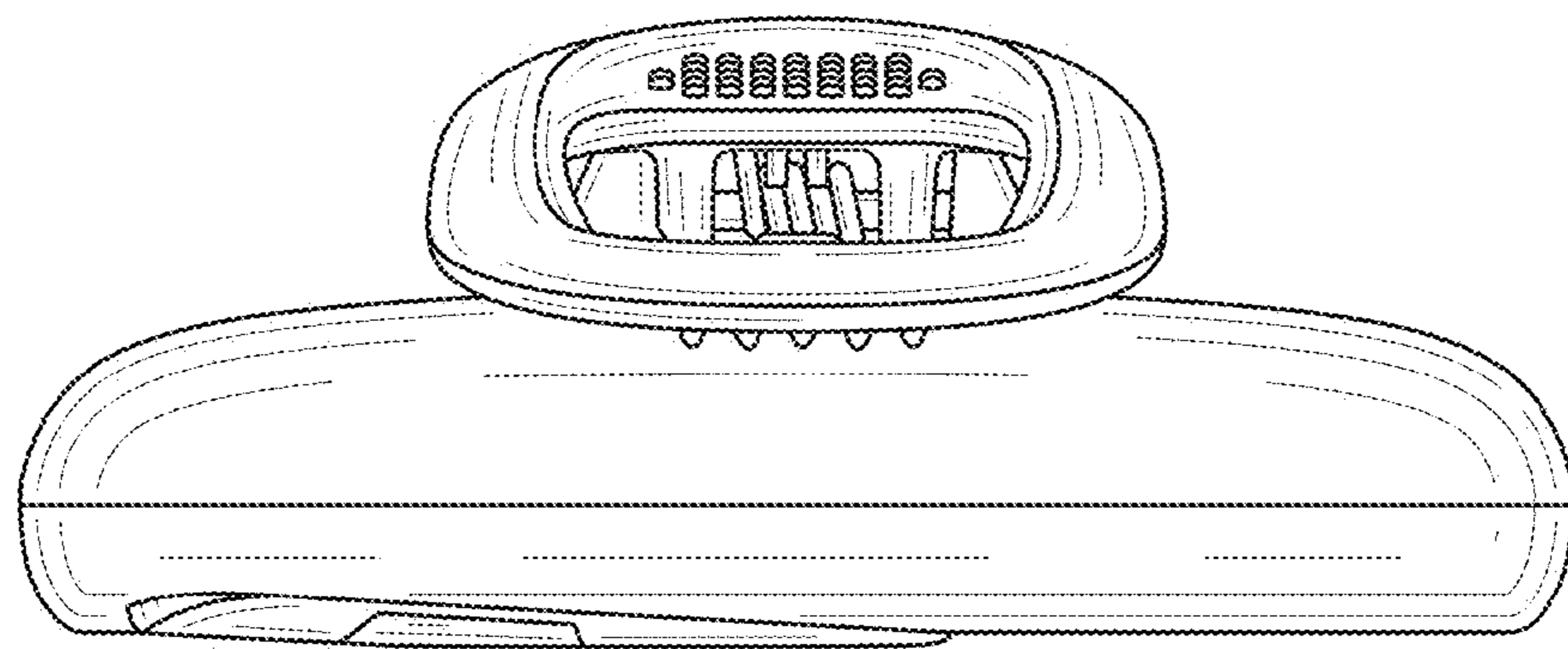


FIG. 7