



US00D716162S

(12) **United States Design Patent**
Kura et al.

(10) **Patent No.:** **US D716,162 S**
(45) **Date of Patent:** **** Oct. 28, 2014**

(54) **DETECTOR**

(71) Applicant: **Fuji Electric Co., Ltd.**, Kawasaki (JP)

(72) Inventors: **Nobukatsu Kura**, Tokyo (JP);
Tomoyuki Matsushita, Tokyo (JP)

(73) Assignee: **Fuji Electric Co., Ltd.**, Kawasaki (JP)

(**) Term: **14 Years**

(21) Appl. No.: **29/461,097**

(22) Filed: **Jul. 18, 2013**

(30) **Foreign Application Priority Data**

Apr. 19, 2013 (JP) 2013-008885

(51) **LOC (10) Cl.** **10-04**

(52) **U.S. Cl.**
USPC **D10/81; D10/96; D10/97**

(58) **Field of Classification Search**
CPC G01N 27/4077
USPC D10/81, 96, 97; 73/23.31, 31.05, 31.07,
73/23.2, 1.06, 1.03, 1.05, 1.07, 152.8,
73/31.03, 31.02, 431; 250/339.13, 341.2,
250/341.5; 280/30, 47.35; 340/521, 693.6

See application file for complete search history.

(56) **References Cited**

U.S. PATENT DOCUMENTS

6,550,313 B1 * 4/2003 Flosbach 73/40.7
7,530,255 B2 * 5/2009 Frank et al. 73/1.03
7,909,273 B2 * 3/2011 Andrews et al. 241/30
8,056,910 B2 * 11/2011 Deavila 280/47.35

* cited by examiner

Primary Examiner — Antoine D Davis

(74) *Attorney, Agent, or Firm* — Oliff PLC

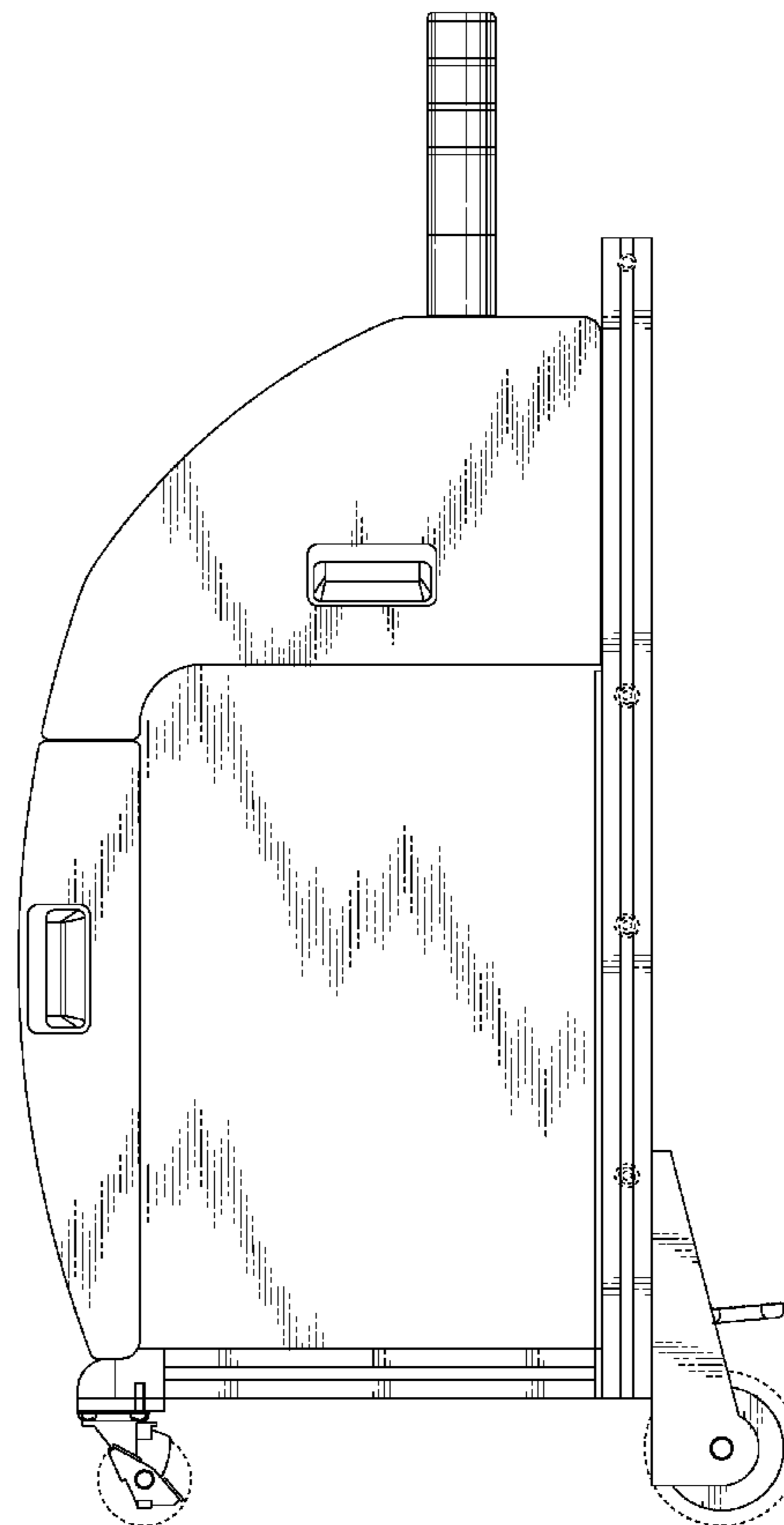
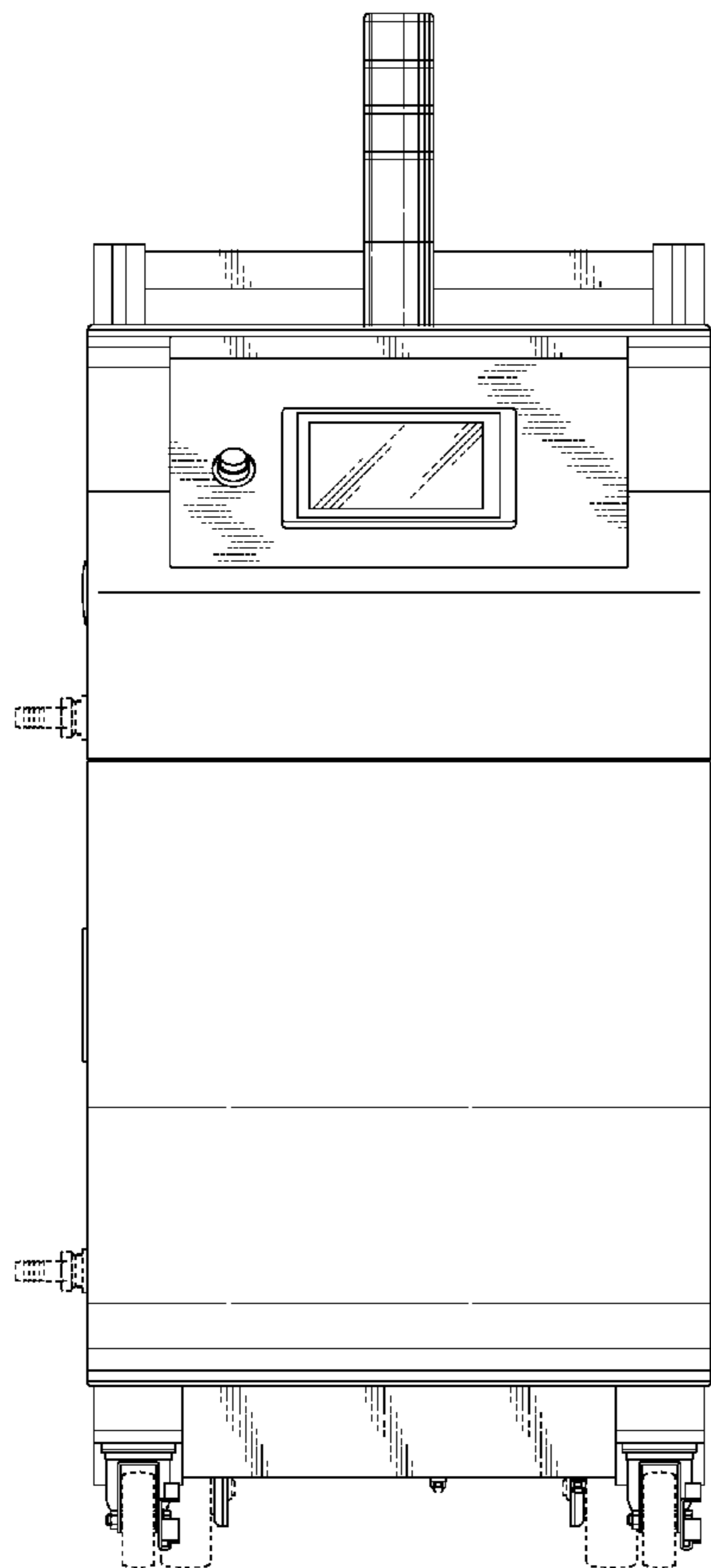
(57) **CLAIM**

The ornamental design for a detector, as shown and described.

DESCRIPTION

FIG. 1 is a front view of a detector;
FIG. 2 is a rear view thereof;
FIG. 3 is a right-side view thereof;
FIG. 4 is a left-side view thereof;
FIG. 5 is a top plan view thereof; and,
FIG. 6 is a bottom view thereof.
The broken lines depict environmental subject matter only
and form no part of the claimed design.

1 Claim, 6 Drawing Sheets



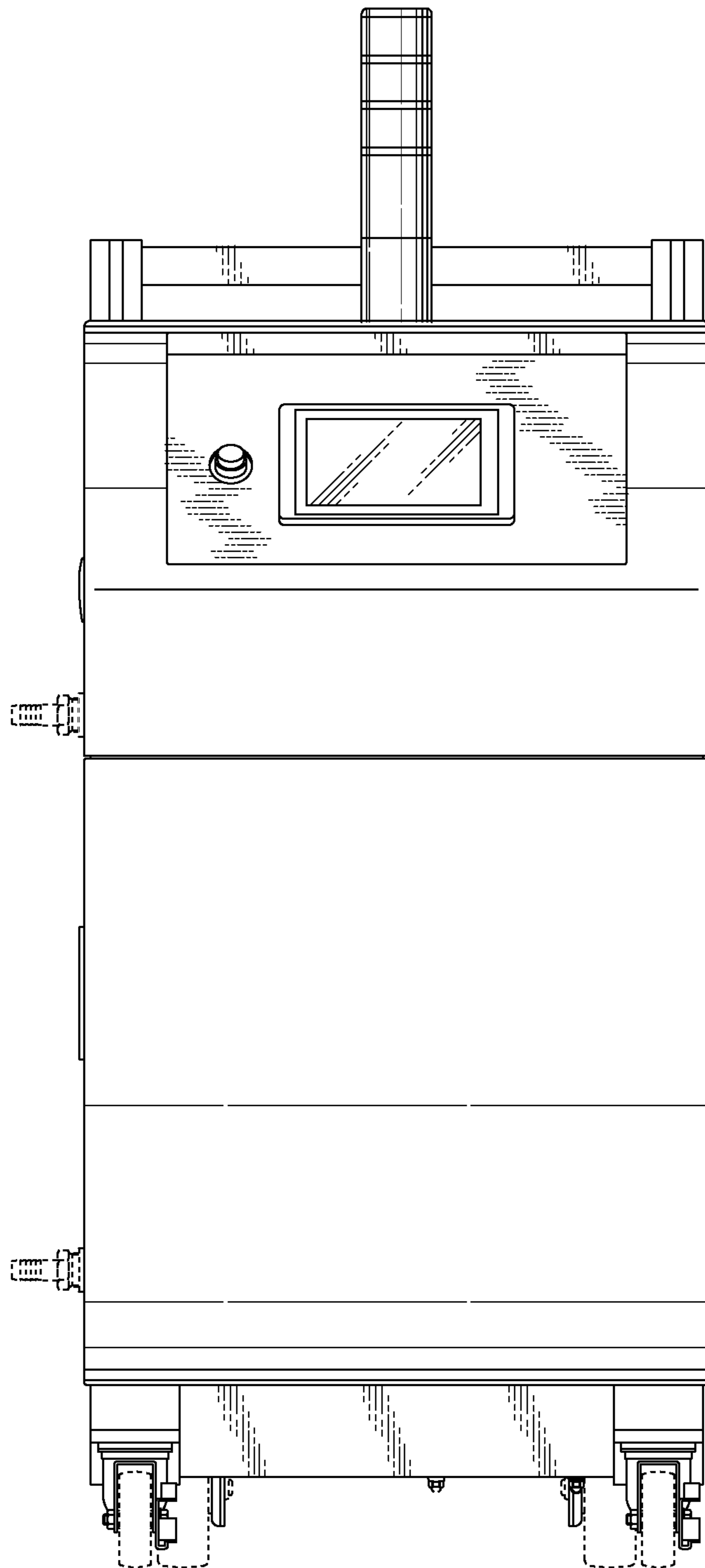


FIG.1

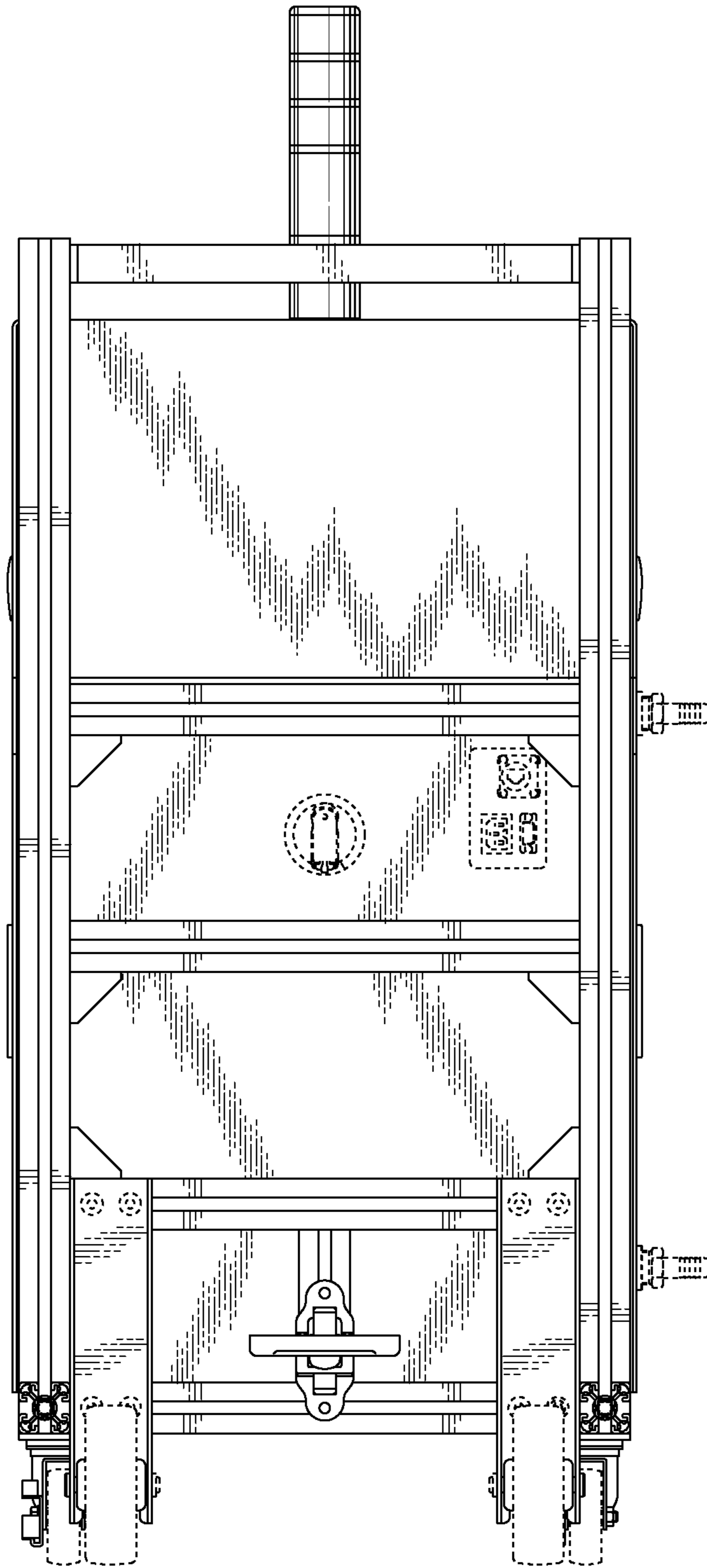


FIG.2

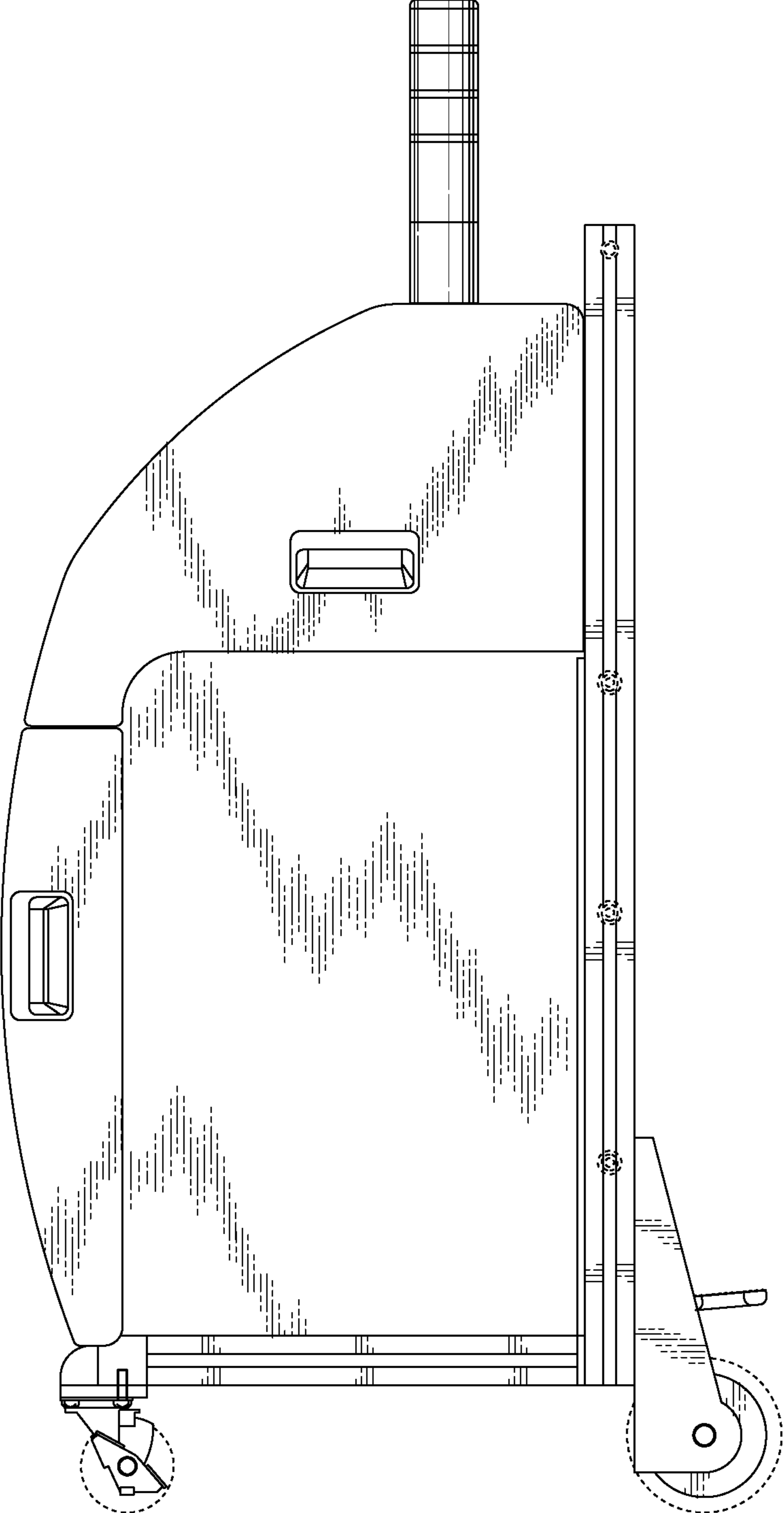


FIG.3

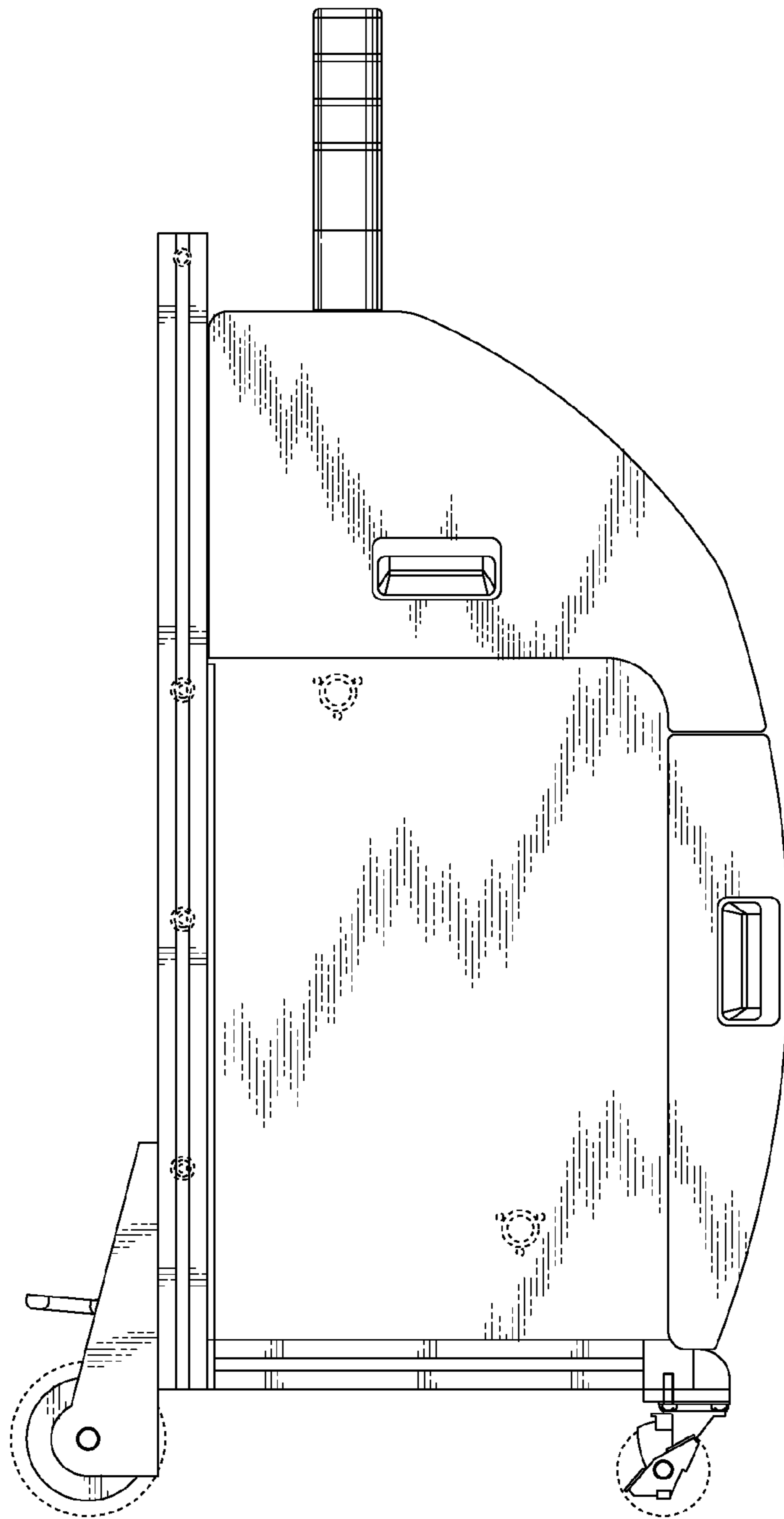


FIG.4

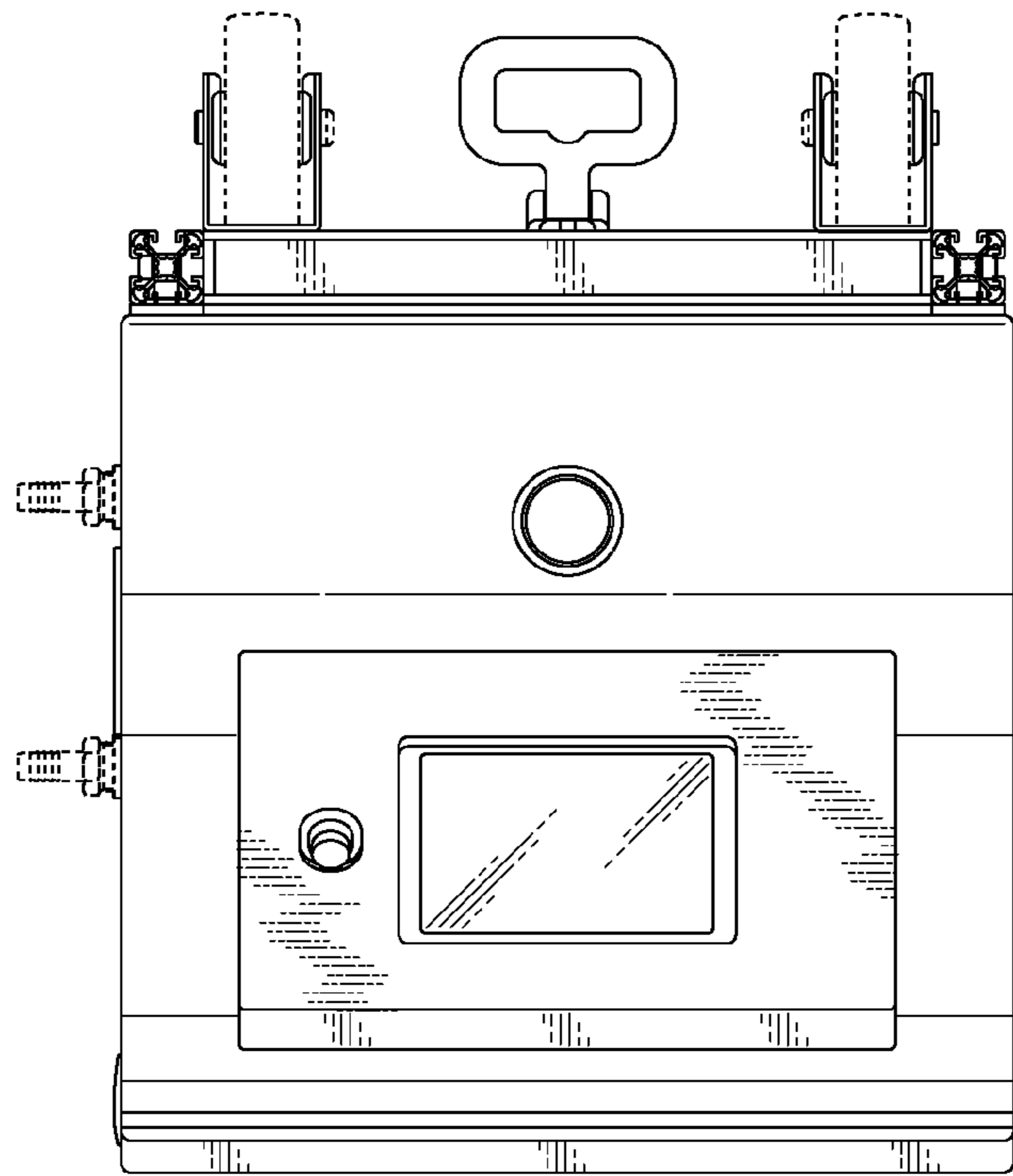


FIG.5

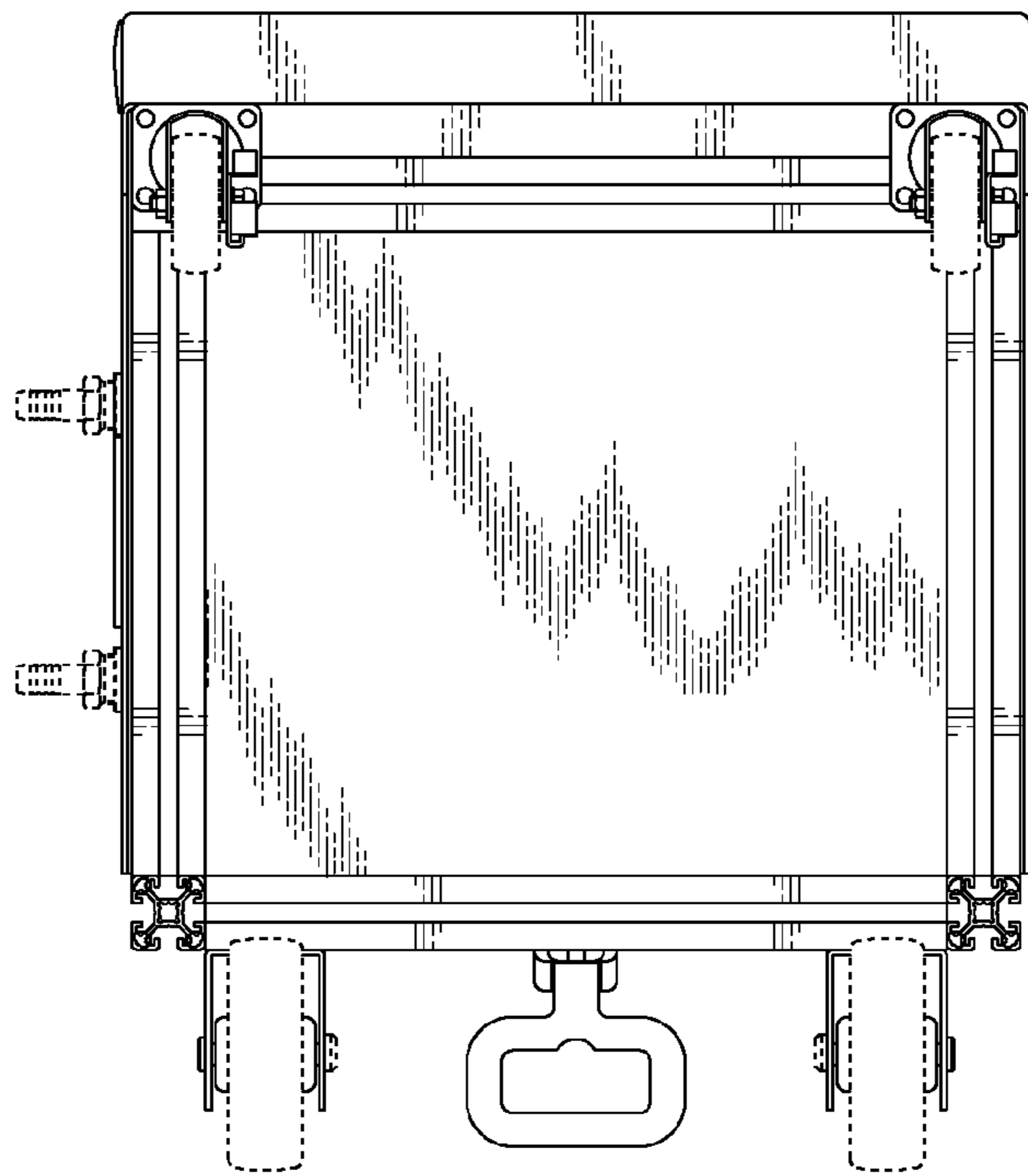


FIG.6