



US00D716153S

(12) **United States Design Patent**
Bodmer et al.

(10) **Patent No.:** **US D716,153 S**
(45) **Date of Patent:** **** *Oct. 28, 2014**

(54) **EGG CARTON**

(71) Applicant: **udo.bodmer for solutionB**, Hausach
(DE)

(72) Inventors: **Udo Bodmer**, Hausach (DE); **Christoph
Möller**, Lucerne (CH); **Lukas
Vonarburg**, Lucerne (CH)

(73) Assignee: **udo.bodmer for solutionB**, Hausach
(DE)

(*) Notice: This patent is subject to a terminal dis-
claimer.

(**) Term: **14 Years**

(21) Appl. No.: **29/456,024**

(22) Filed: **May 28, 2013**

Related U.S. Application Data

(63) Continuation-in-part of application No. 29/387,571,
filed on Mar. 15, 2011, now Pat. No. Des. 685,273.

(30) **Foreign Application Priority Data**

Sep. 15, 2010 (WO) DM/074 845

(51) **LOC (10) Cl.** **09-03**

(52) **U.S. Cl.**
USPC **D9/757; D9/762**

(58) **Field of Classification Search**

USPC D9/762, 757, 737, 761, 420, 425, 426,
D9/456; D7/611; 220/508; 206/521, 521.1,
206/521.3, 521.4, 521.6, 521.8, 521.9, 564;
229/406

See application file for complete search history.

(56) **References Cited**

U.S. PATENT DOCUMENTS

2,013,606	A *	9/1935	Hale	206/521.5
2,591,471	A *	4/1952	Schwertfeger	206/521.1
2,634,039	A *	4/1953	Schwertfeger	206/521.1
3,191,844	A *	6/1965	Comstock	206/521.1
3,310,217	A *	3/1967	Trimble	206/521.5
3,469,763	A *	9/1969	Voorhis	206/521.1

(Continued)

Primary Examiner — Mark Goodwin

(74) *Attorney, Agent, or Firm* — Ladas & Parry LLP

(57) **CLAIM**

The ornamental design for an egg carton, as shown and
described.

DESCRIPTION

FIG. 1 is a perspective view from front, top and left side of a
first embodiment of the egg carton embodying my new design
in which there are ten egg receiving cavities;

FIG. 2 is a front elevational view thereof, the rear elevational
view appearing the same;

FIG. 3 is a top plan view thereof;

FIG. 4 is a right side elevational view thereof, the left side
elevational view appearing the same;

FIG. 5 is a perspective view from the bottom thereof;

FIG. 6 is a perspective view of the egg carton in the open
position;

FIG. 7 is a top plan view of the egg carton in the open position;

FIG. 8 is a perspective view from front, top and left side of a
second embodiment of the egg carton in which there are
twelve egg receiving cavities rather than ten;

FIG. 9 is a front elevational view thereof, the rear elevational
view appearing the same;

FIG. 10 is a top plan view thereof;

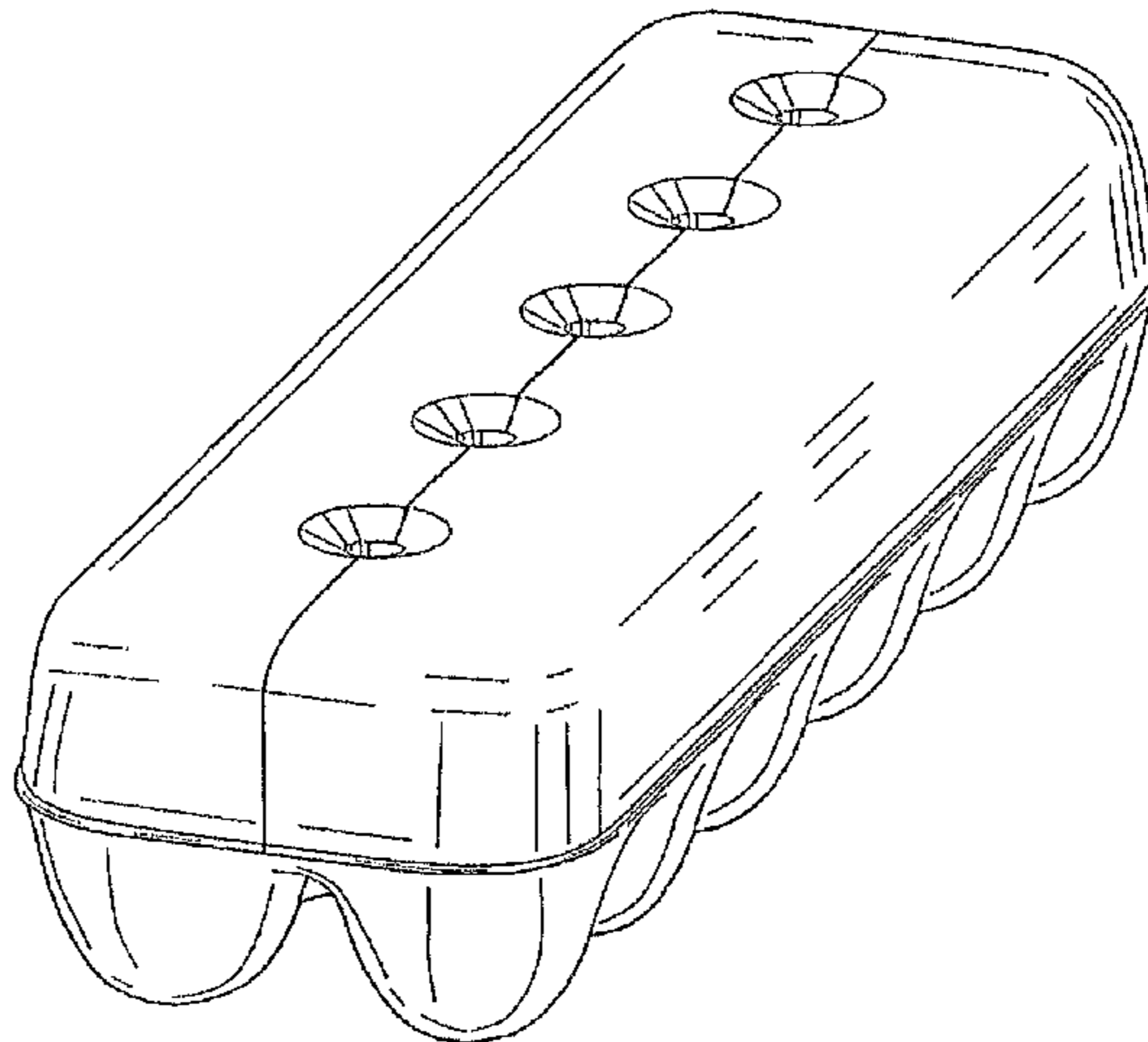
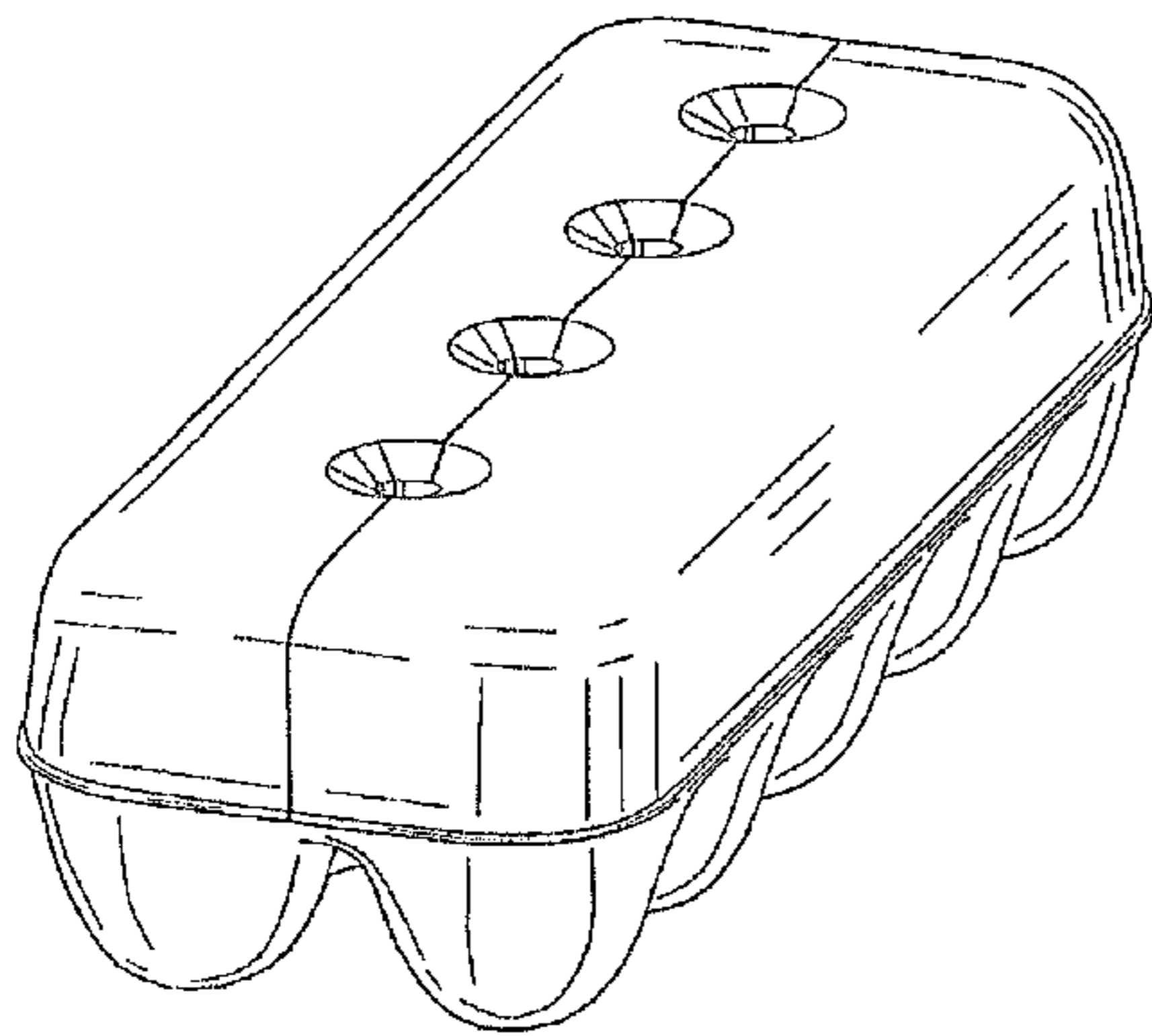
FIG. 11 is a right side elevational view thereof, the left side
elevational view appearing the same;

FIG. 12 is a perspective view from the bottom thereof;

FIG. 13 is a perspective view of the egg carton of the second
embodiment in the open position; and,

FIG. 14 is a top plan view of the egg carton of the second
embodiment in the open position.

1 Claim, 10 Drawing Sheets



(56)

References Cited

U.S. PATENT DOCUMENTS

3,580,480 A * 5/1971 French 206/521.1
 D243,507 S * 3/1977 Petersen D9/757
 D244,258 S * 5/1977 Petersen D9/757
 D244,582 S * 6/1977 Petersen D9/757
 D262,355 S * 12/1981 Oakley D9/757
 D279,649 S * 7/1985 DeMay D9/715
 D282,147 S * 1/1986 Mangla D9/757
 D291,533 S * 8/1987 Mangla D9/757
 D307,387 S * 4/1990 Payne et al. D9/757
 D385,780 S * 11/1997 Krupa et al. D9/757
 D409,483 S * 5/1999 Herbruck D9/762
 D412,277 S * 7/1999 Herbruck D9/762
 D412,841 S * 8/1999 Herbruck D9/762

D416,482 S * 11/1999 McCann D9/757
 D418,405 S * 1/2000 Herbruck D9/762
 D453,901 S * 2/2002 Shepperson D9/748
 D466,802 S * 12/2002 Davkovski D9/757
 D469,690 S * 2/2003 Pau D9/761
 D484,796 S * 1/2004 Buckley D9/757
 D491,463 S * 6/2004 Zelina et al. D9/757
 D506,932 S * 7/2005 Ramirez D9/737
 D514,954 S * 2/2006 Kim D9/757
 D520,377 S * 5/2006 Beese et al. D9/762
 D587,109 S * 2/2009 Lyon et al. D9/761
 D592,076 S * 5/2009 Sipe et al. D9/756
 D592,077 S * 5/2009 Sipe et al. D9/756
 D606,421 S * 12/2009 Krummenacher D9/757
 7,686,181 B2 * 3/2010 St-Onge 220/508
 D626,014 S * 10/2010 Fosse et al. D9/757

* cited by examiner

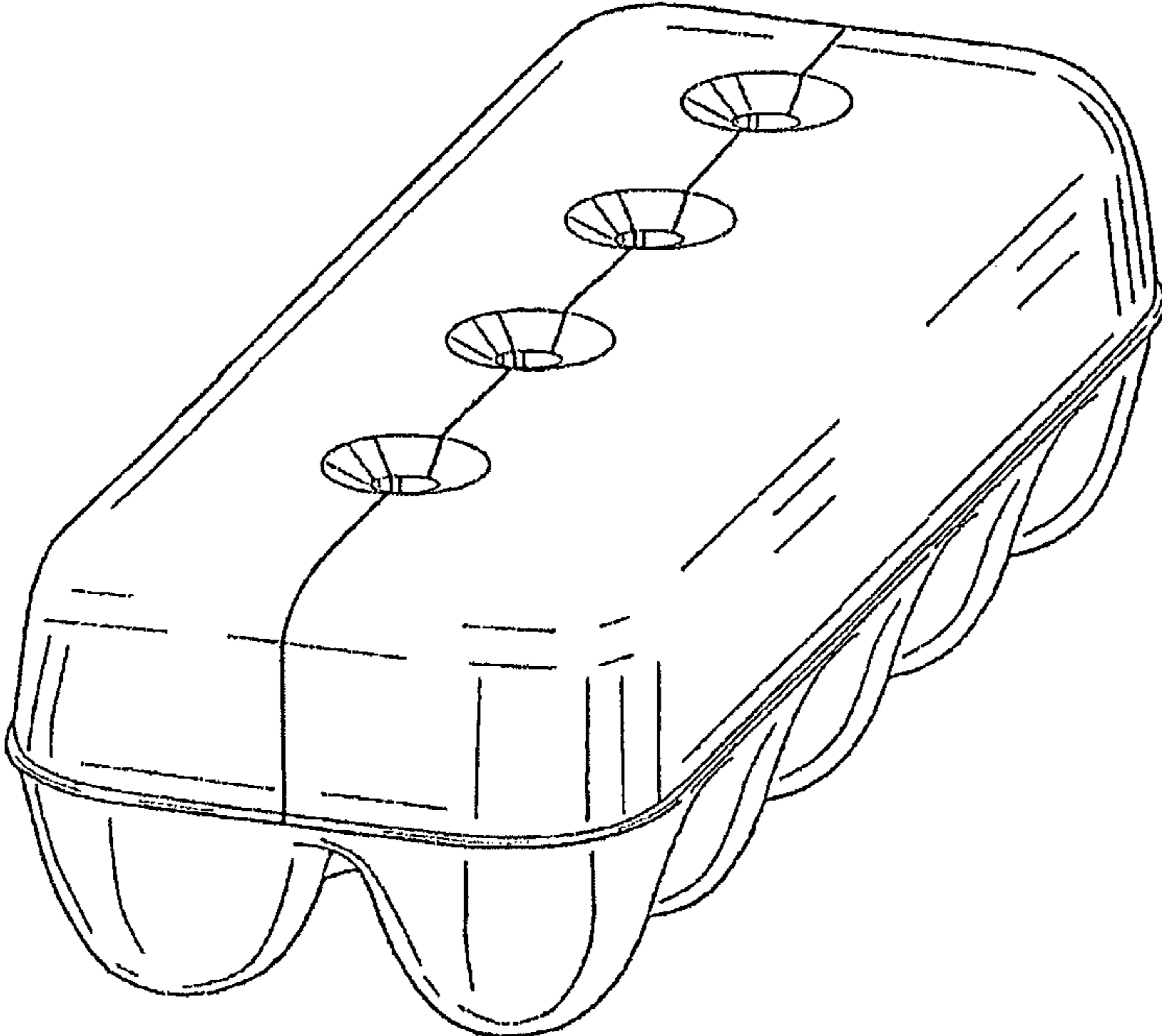


FIG. 1

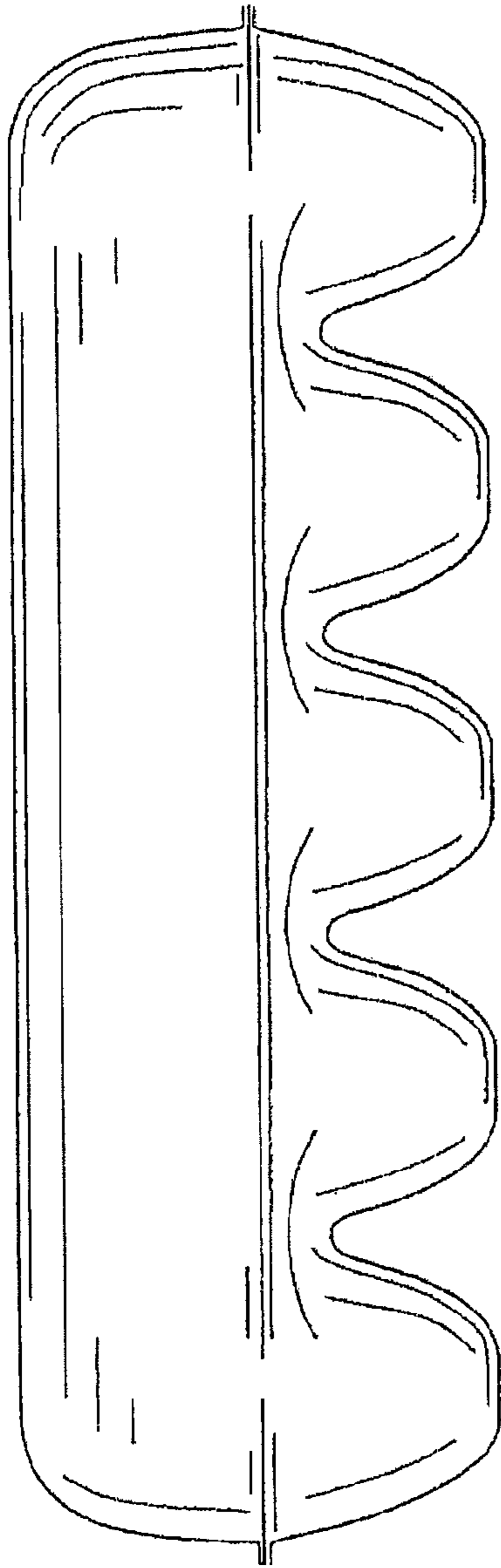


FIG. 2

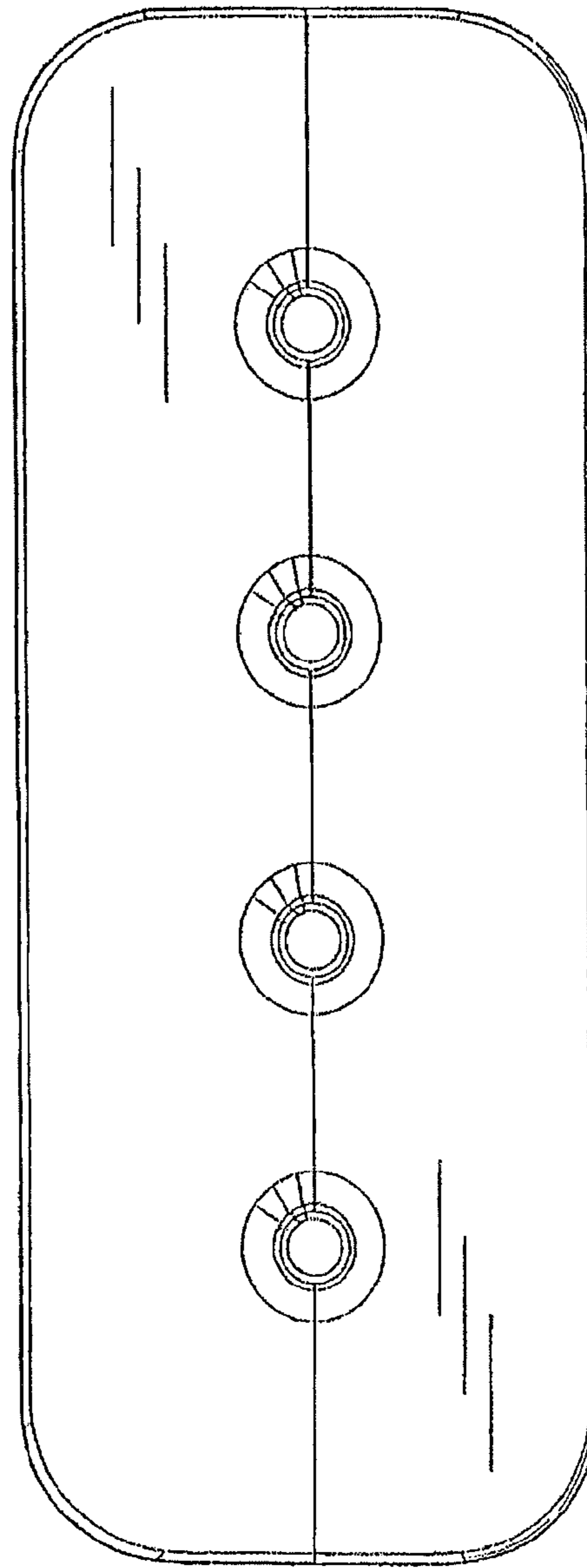


FIG. 3

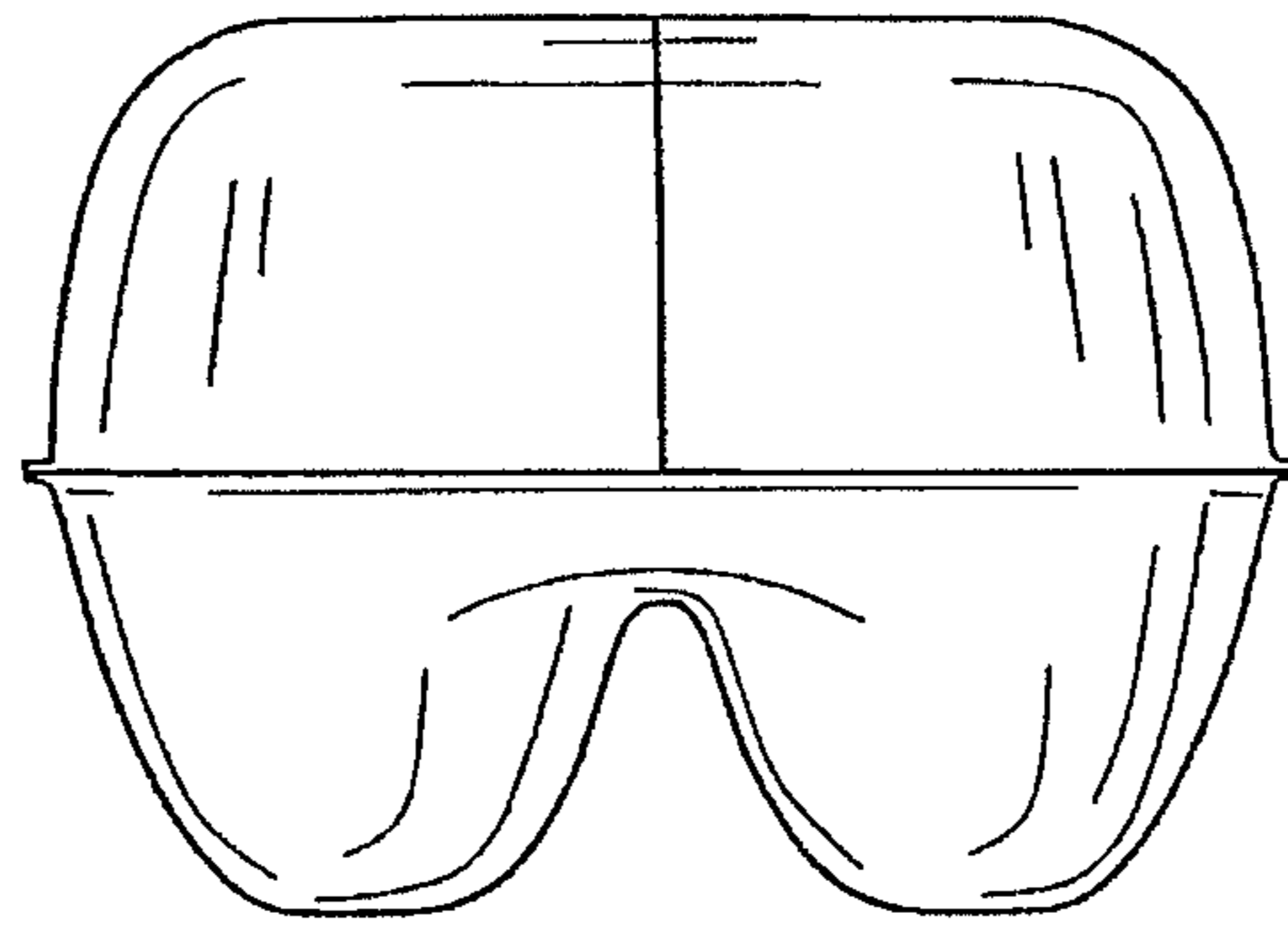


FIG. 4

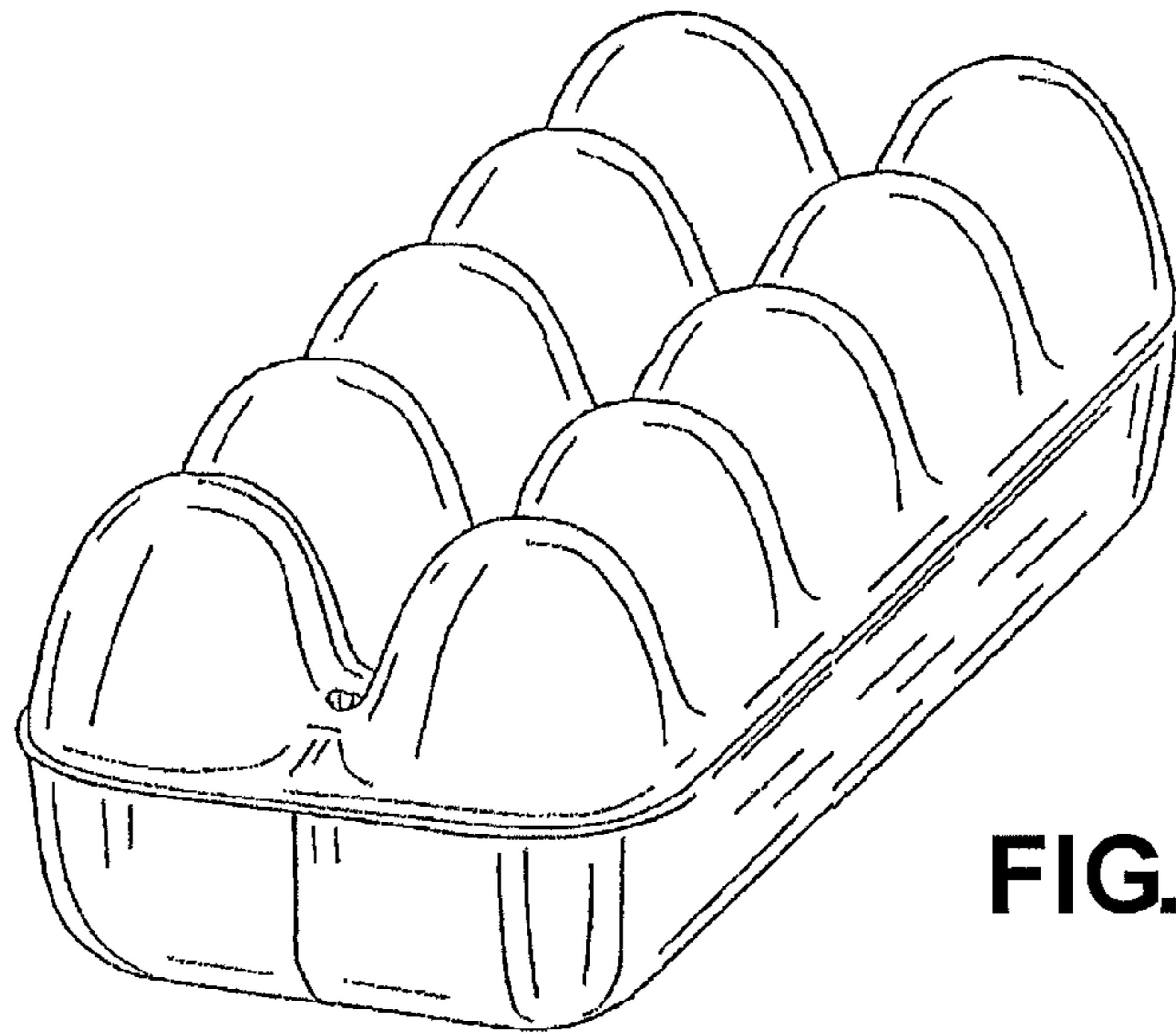


FIG. 5

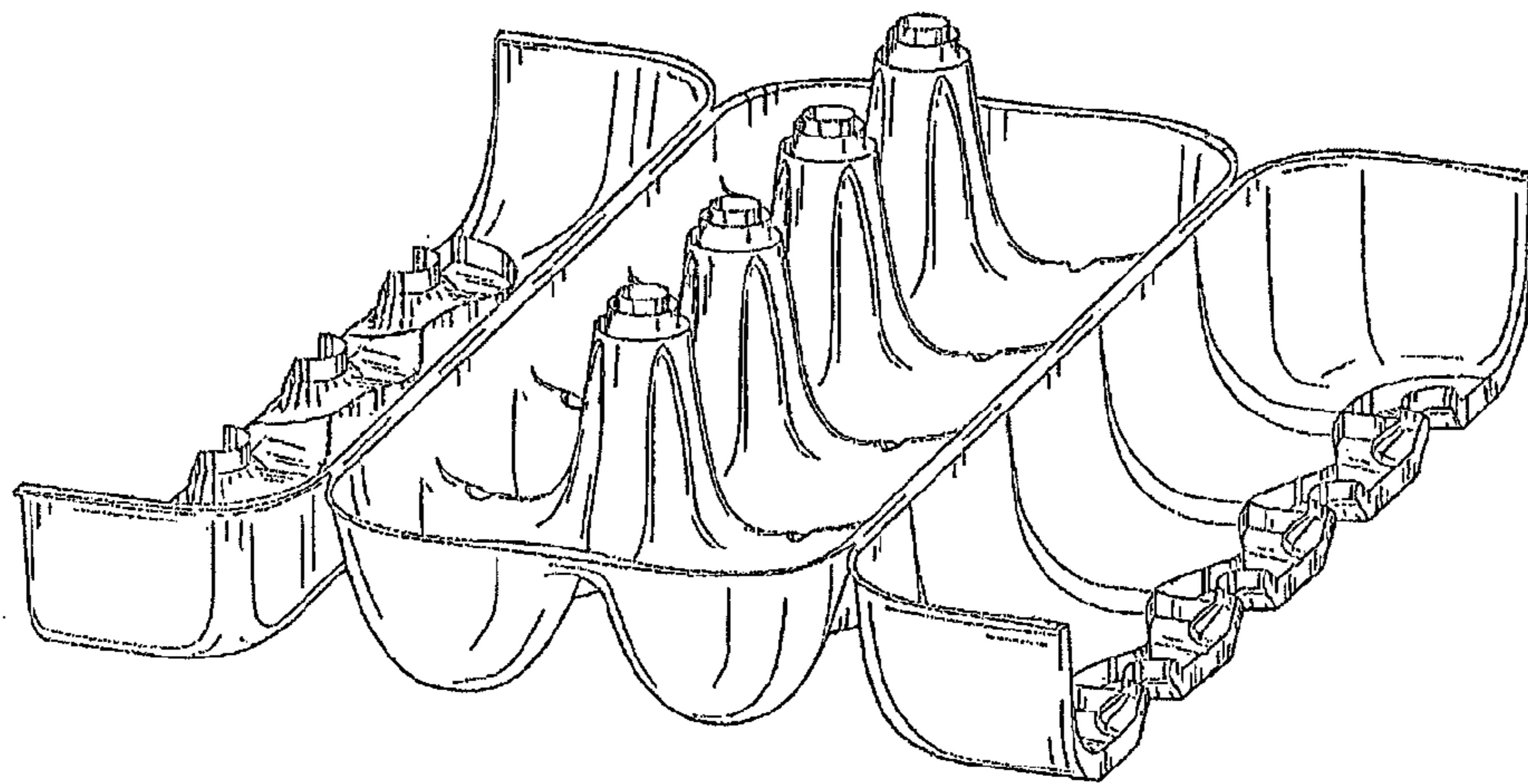


FIG. 6

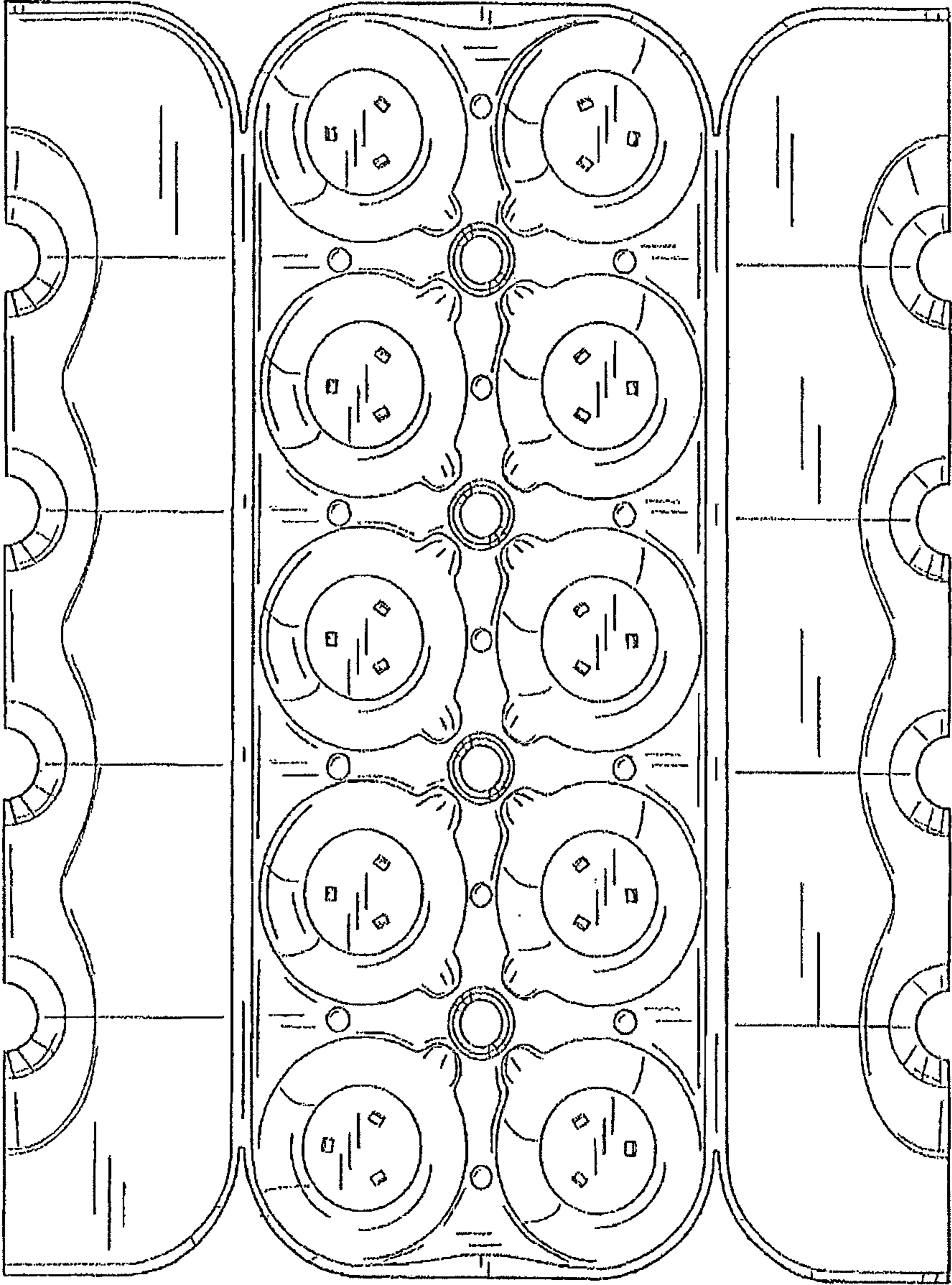


FIG. 7

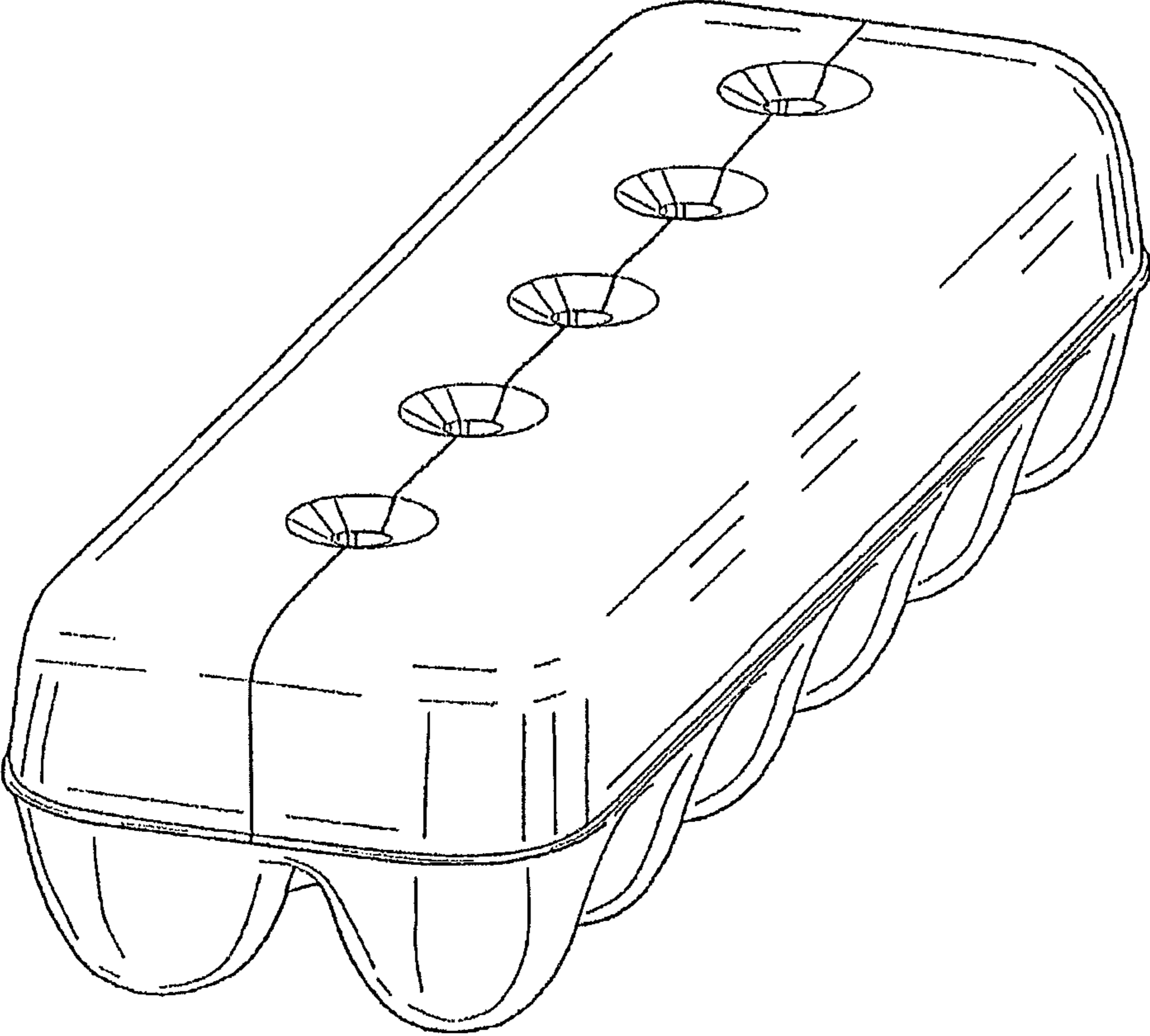


FIG. 8

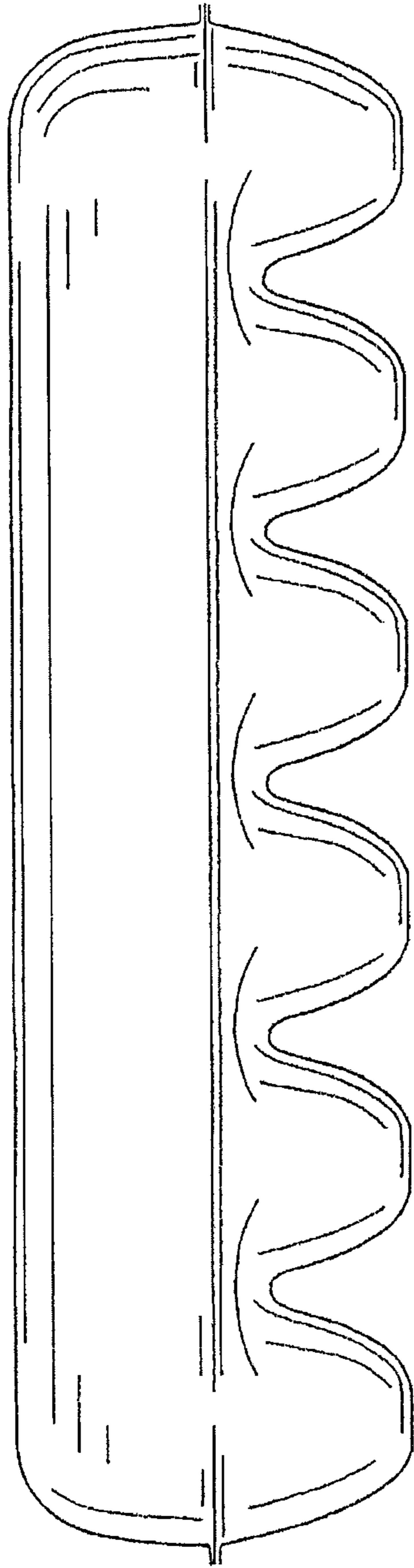


FIG. 9

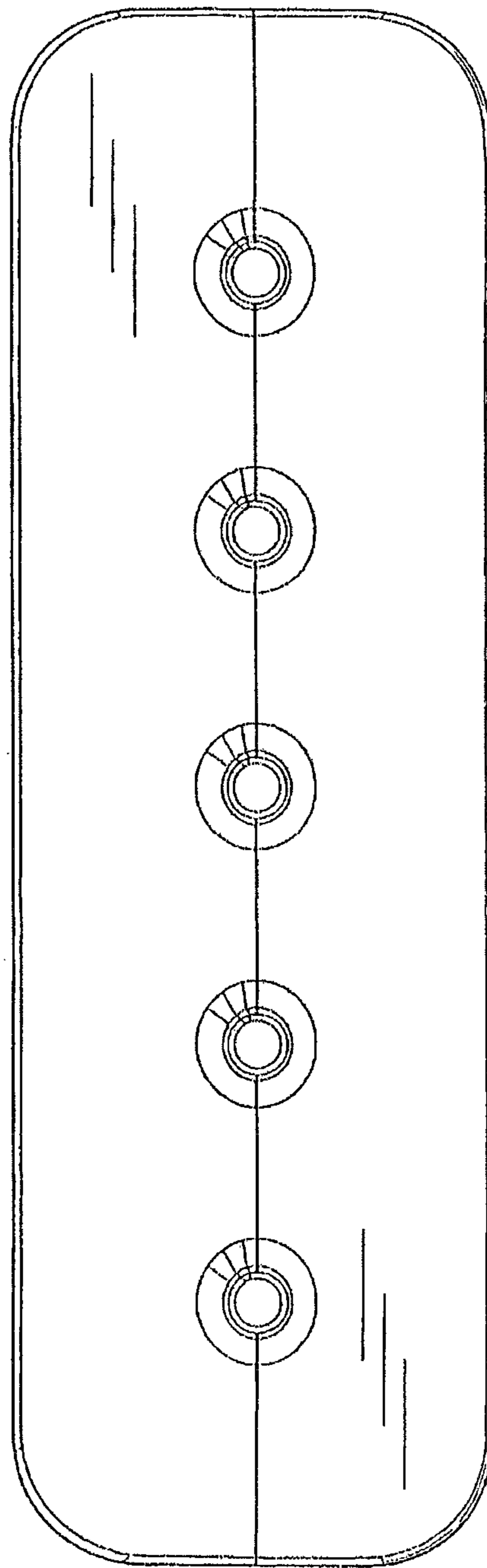


FIG. 10

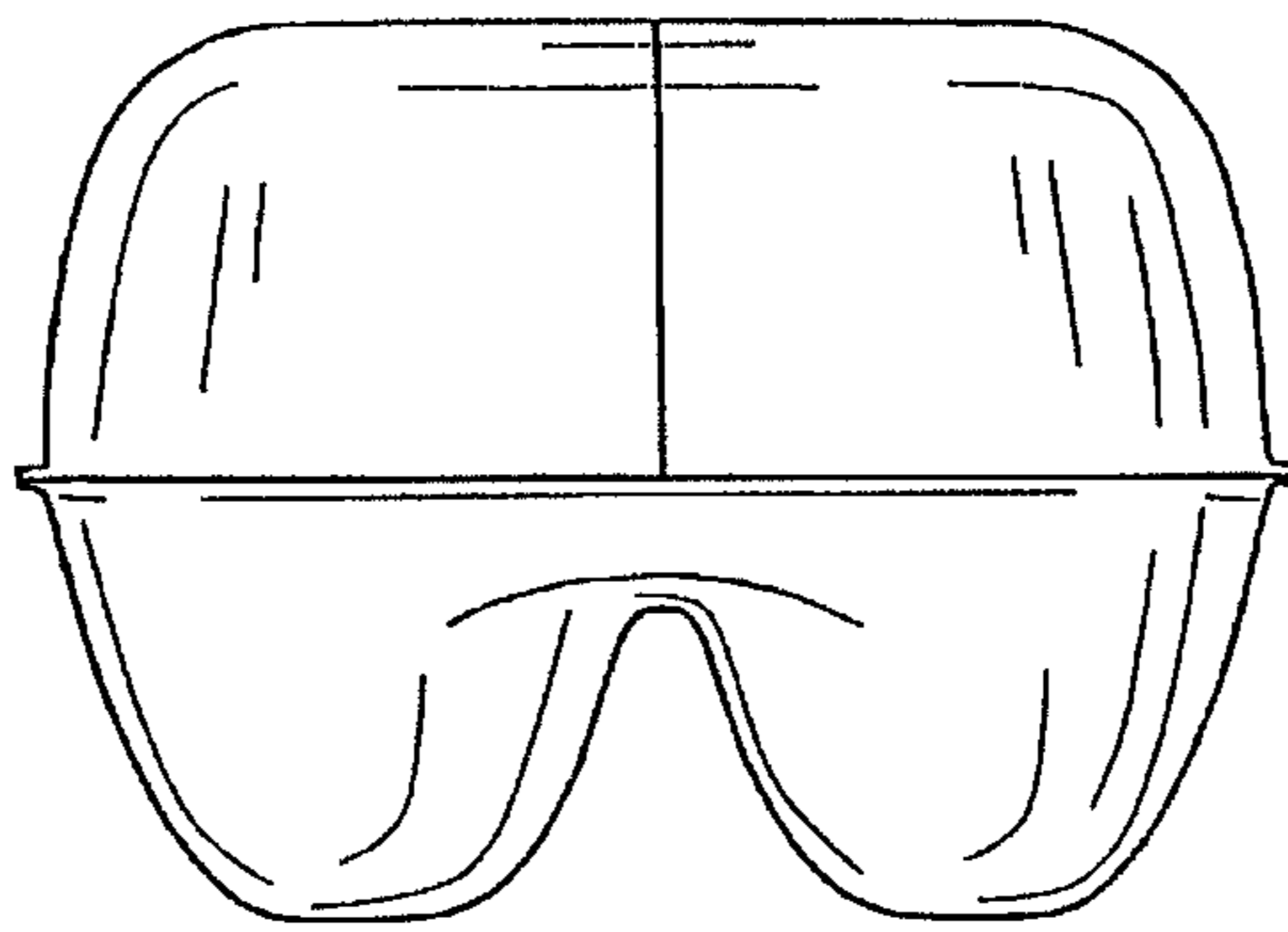


FIG. 11

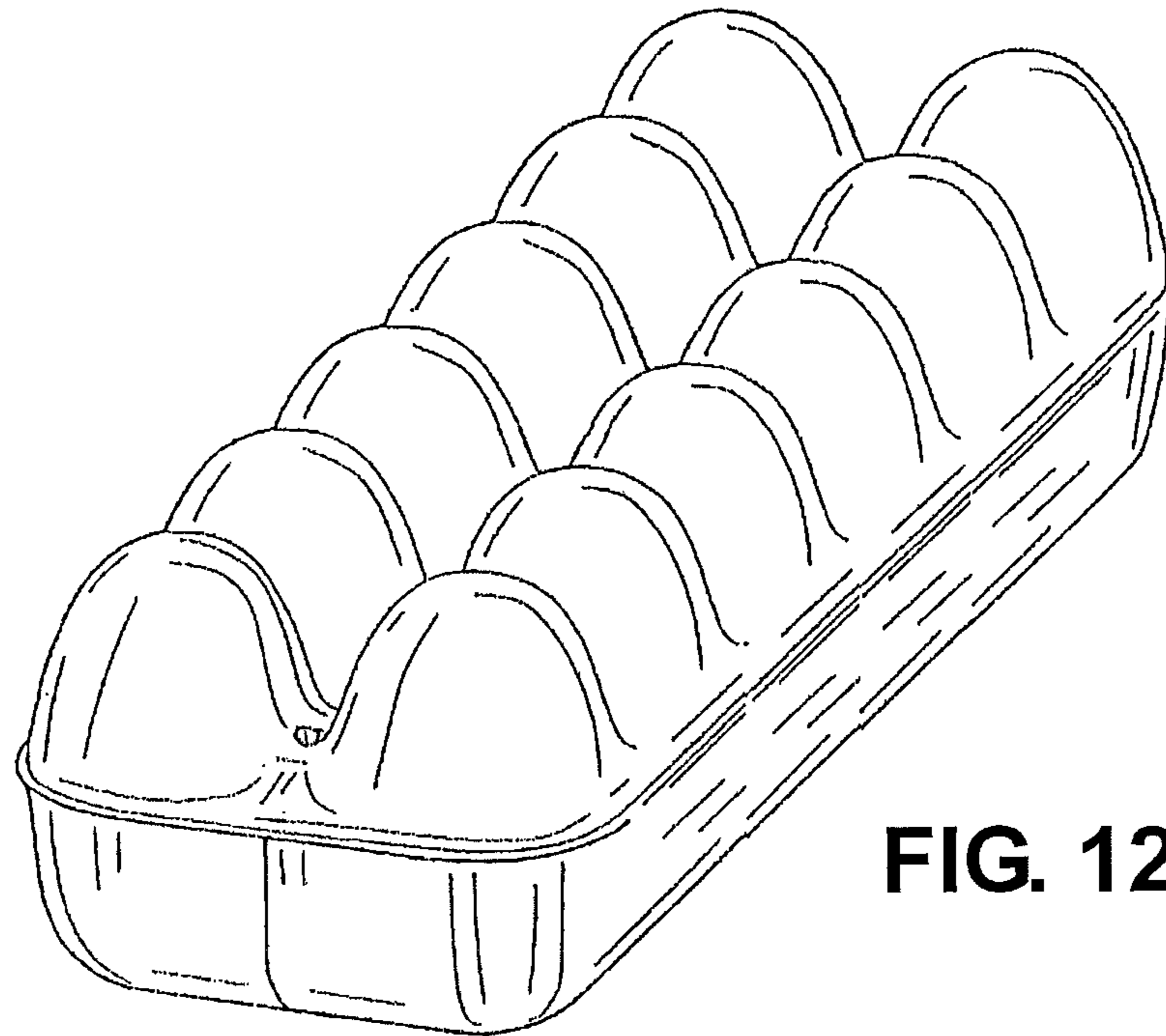


FIG. 12

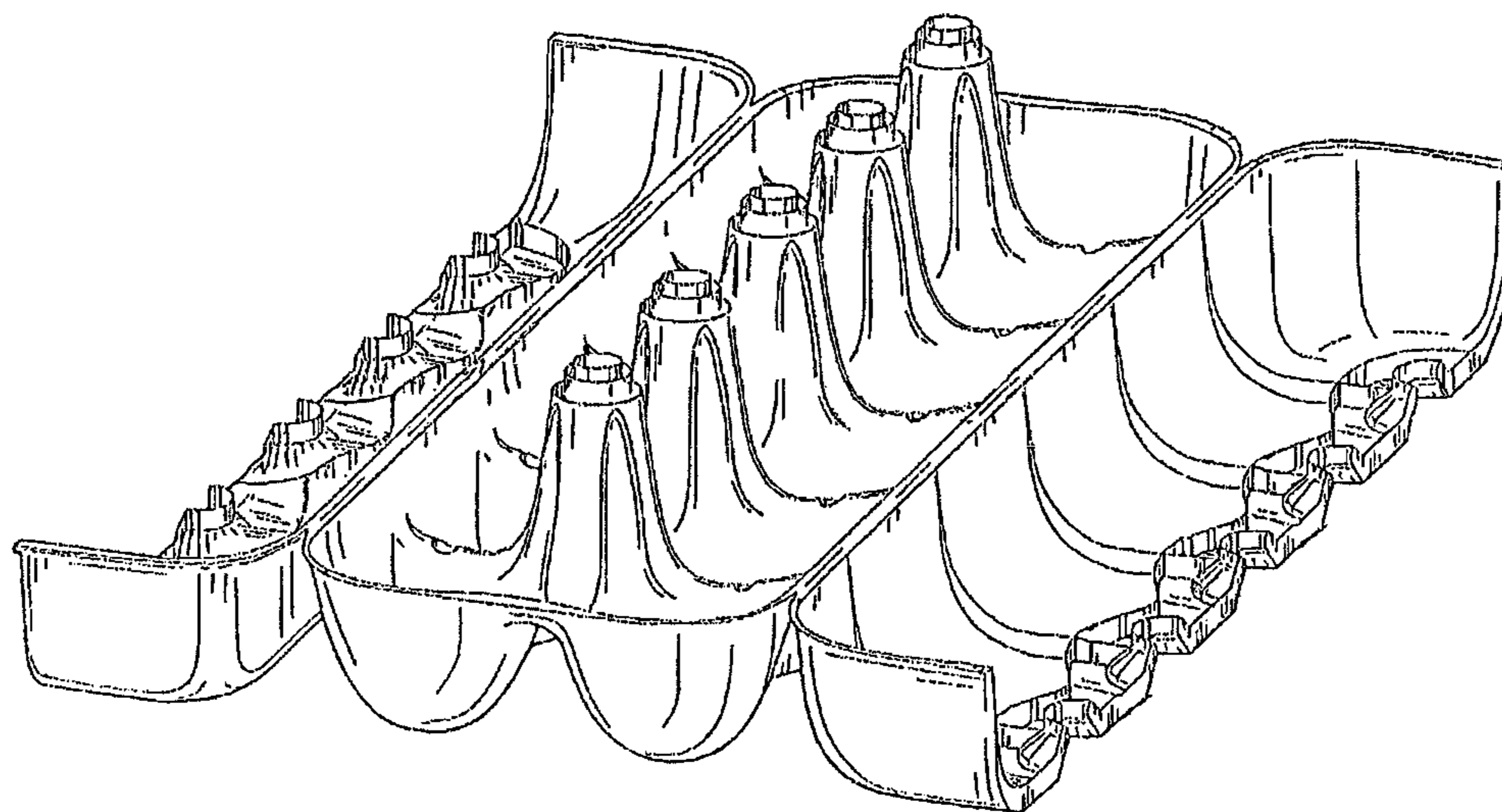


FIG. 13

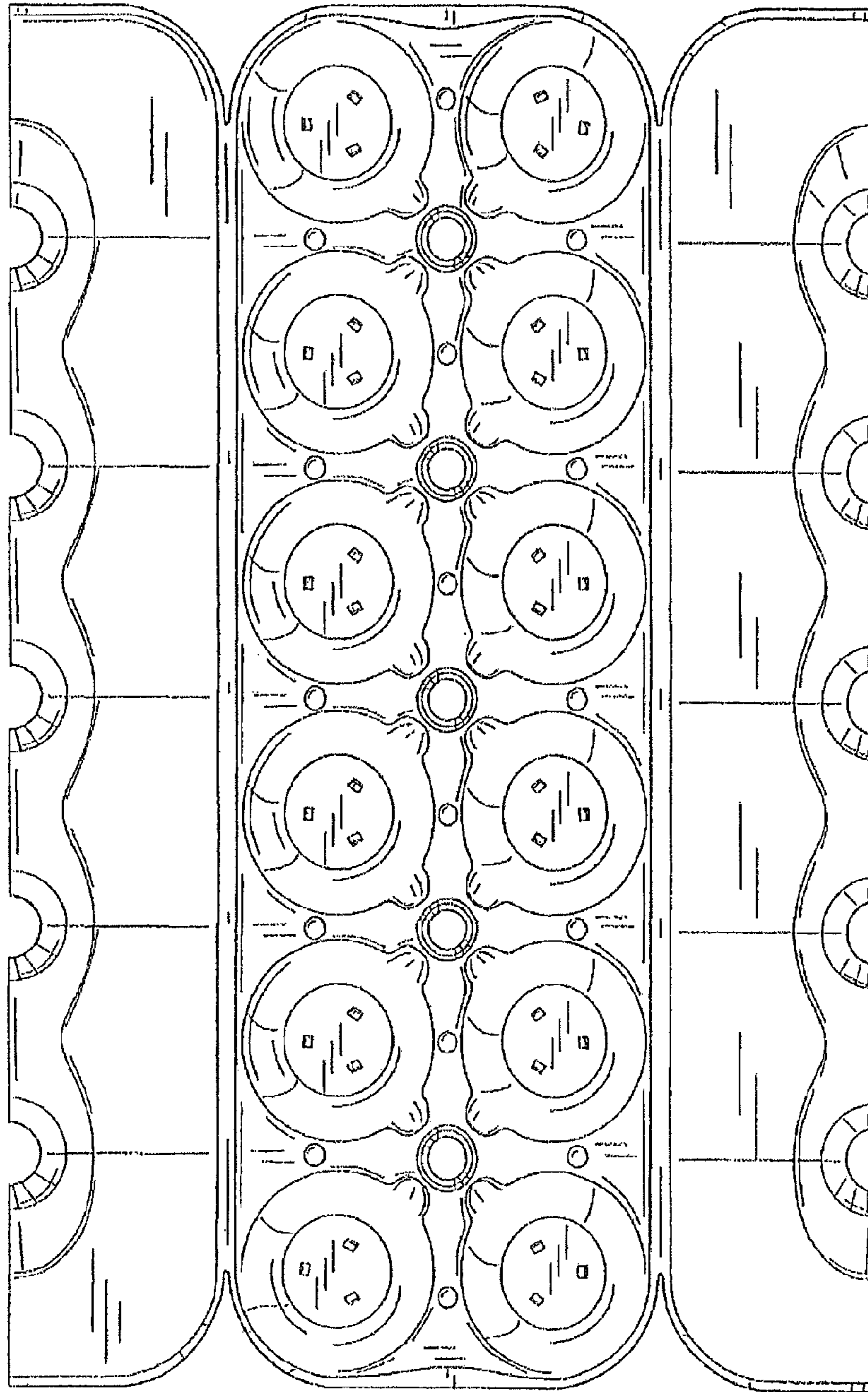


FIG. 14