



US00D716152S

(12) **United States Design Patent**  
**Weiss**

(10) **Patent No.:** **US D716,152 S**  
(45) **Date of Patent:** **\*\* Oct. 28, 2014**

(54) **STACKABLE SLIDER BEVERAGE CONTAINER**

(71) Applicant: **Tom Weiss**, Ladera Ranch, CA (US)

(72) Inventor: **Tom Weiss**, Ladera Ranch, CA (US)

(\*\*) Term: **14 Years**

(21) Appl. No.: **29/457,668**

(22) Filed: **Jun. 12, 2013**

(51) **LOC (10) Cl.** ..... **09-01**

(52) **U.S. Cl.**  
USPC ..... **D9/743**; D9/566; D9/745; D7/509;  
D7/515; D7/510

(58) **Field of Classification Search**  
USPC ..... D7/509-511; D9/570, 564, 566, 573,  
D9/743, 745; 220/703, 592.16, 592.17;  
222/143; D21/500  
See application file for complete search history.

(56) **References Cited**

**U.S. PATENT DOCUMENTS**

D81,679	S	*	7/1930	Webber	.....	D9/566
D163,454	S	*	5/1951	Fuerst	.....	D9/566
D212,350	S	*	10/1968	Kelly	.....	D9/527
3,955,715	A	*	5/1976	Topor	.....	222/143
D333,978	S	*	3/1993	Zutler	.....	D9/743
D383,981	S	*	9/1997	Maccauley et al.	.....	D9/520
D426,164	S	*	6/2000	Gans et al.	.....	D9/541
D542,666	S	*	5/2007	Trude	.....	D9/551
D591,605	S	*	5/2009	Ungrady	.....	D9/559
D607,738	S	*	1/2010	Kuzma et al.	.....	D9/542
D617,196	S	*	6/2010	Weggelaar	.....	D9/522

\* cited by examiner

*Primary Examiner* — Marianne Pandozzi

(74) *Attorney, Agent, or Firm* — David G. Duckworth; Russo & Duckworth, LLP

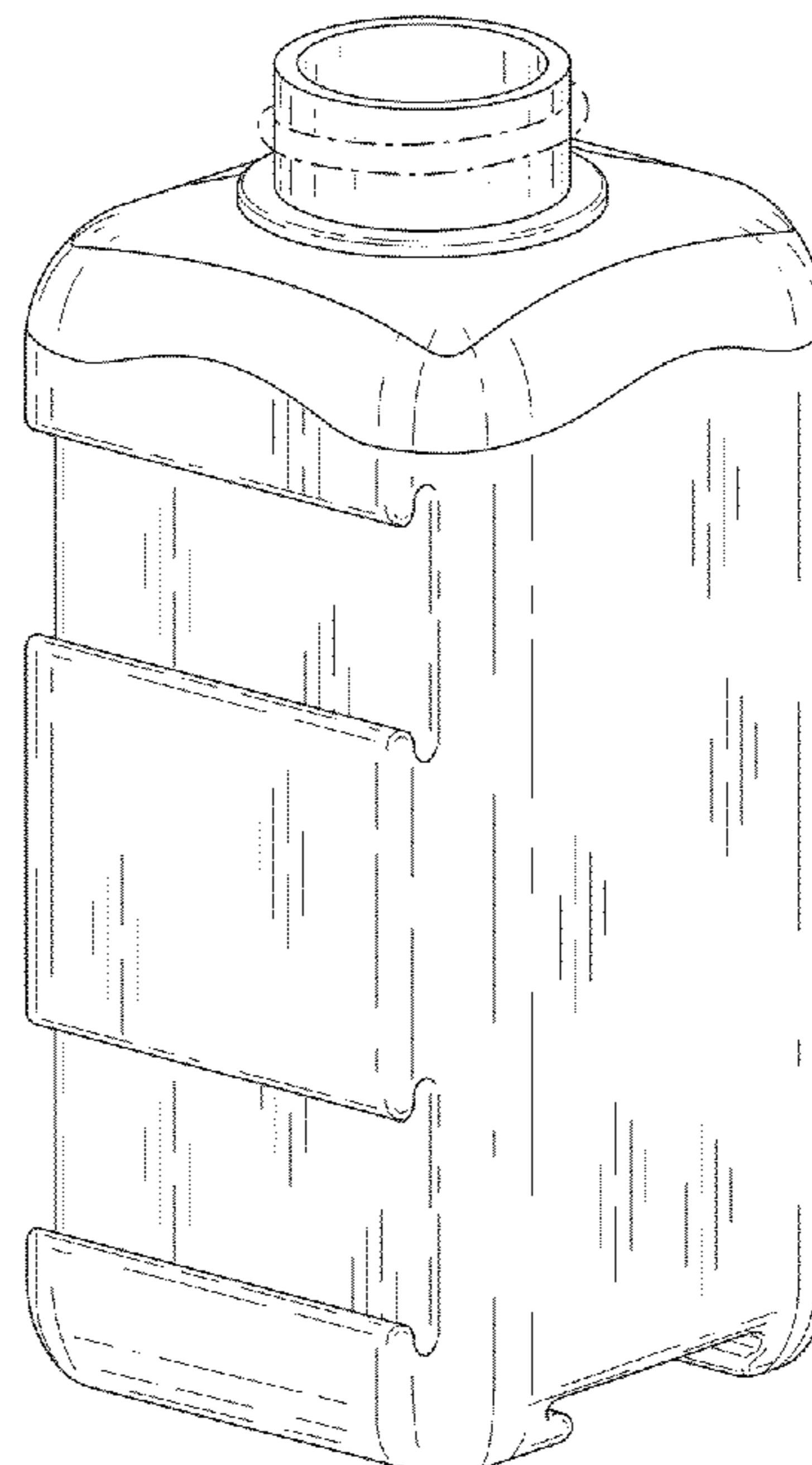
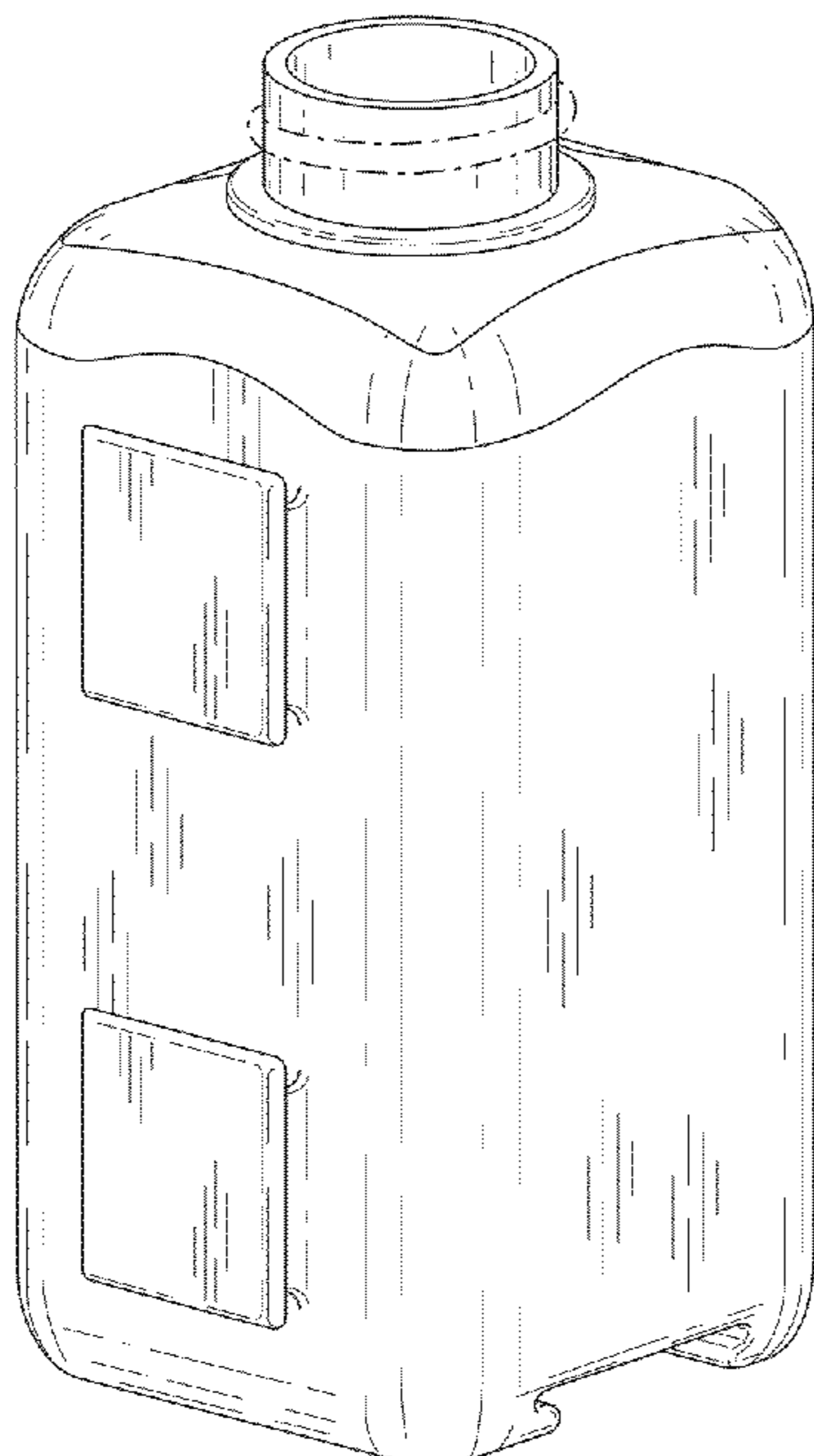
(57) **CLAIM**

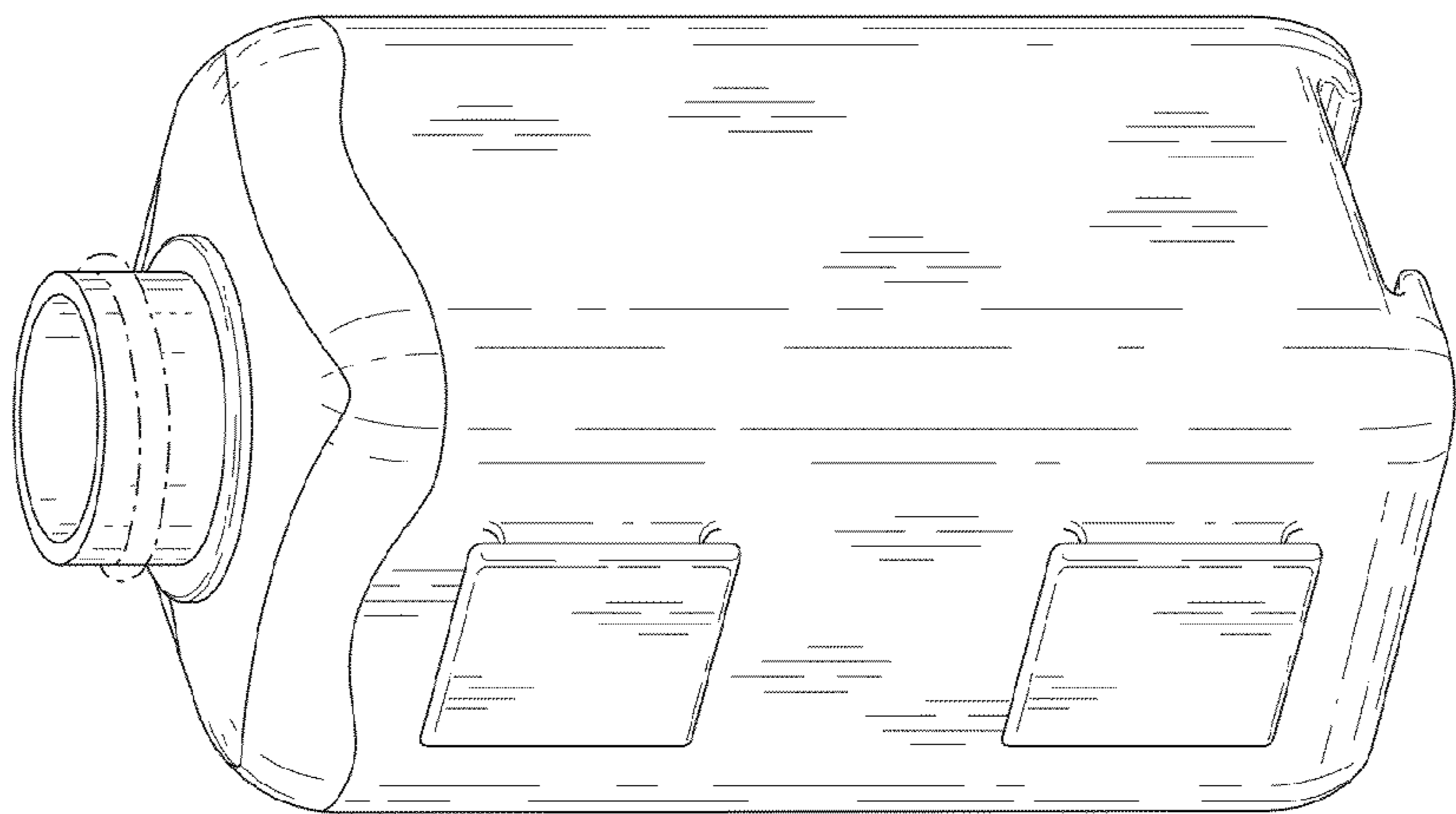
The ornamental design for a stackable slider beverage container, as shown and described.

**DESCRIPTION**

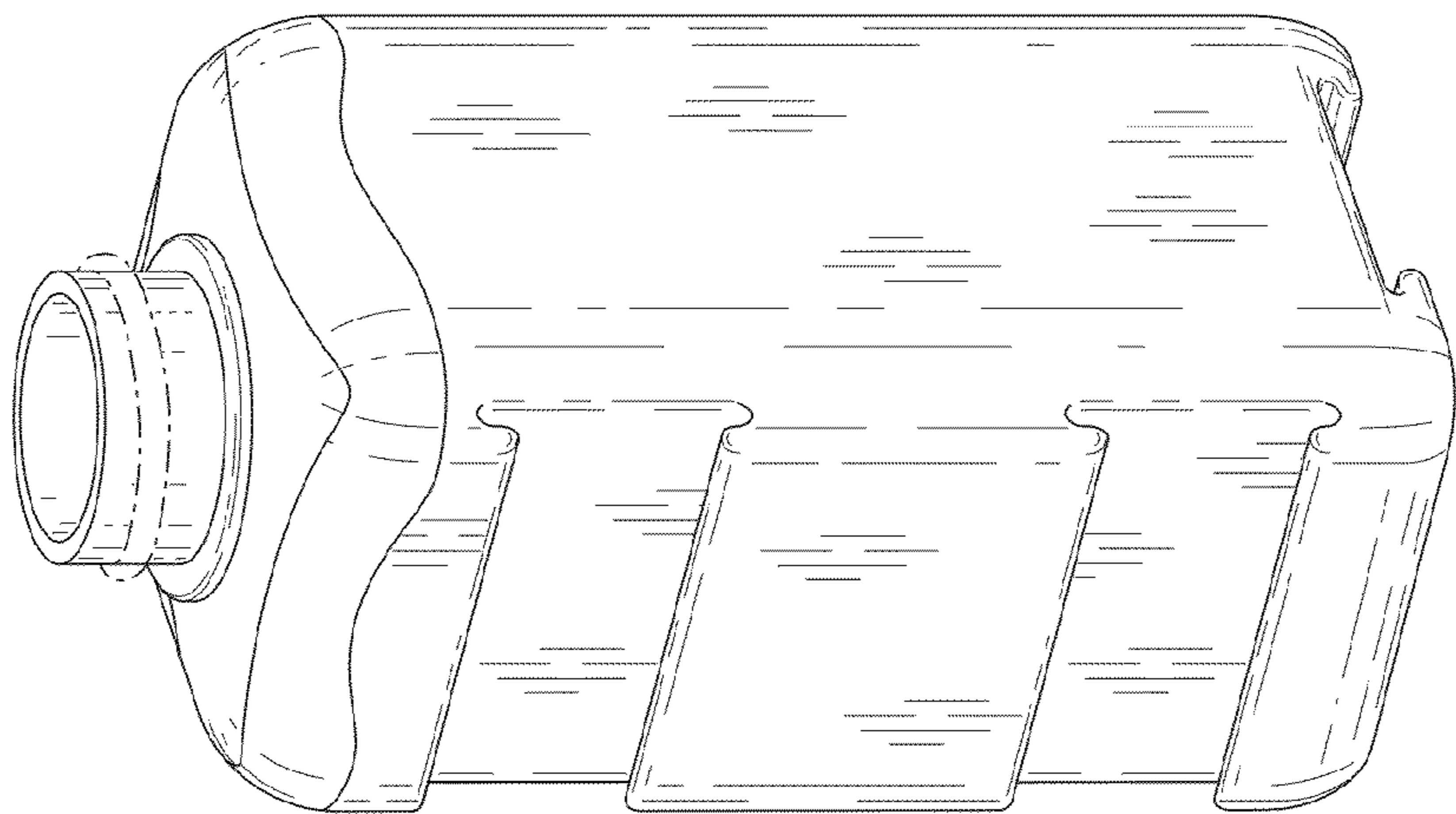
FIG. 1 is a top, right, front perspective view of the stackable slider beverage container of my design; FIG. 2 is a top, rear, left perspective view thereof; FIG. 3 is a bottom, left, front perspective view thereof; FIG. 4 is a front elevation view thereof; FIG. 5 is a rear elevation view thereof; FIG. 6 is a left elevation view thereof; FIG. 7 is a right elevation view thereof; FIG. 8 is a bottom plan view thereof; FIG. 9 is a top plan view thereof; FIG. 10 is an environmental top, rear, left perspective view of the stackable beverage container in a stacked condition; FIG. 11 is a an environmental top, right perspective view of the stackable beverage container in a stacked condition; FIG. 12 is an environmental perspective view of the stackable beverage container in a stacked condition; FIG. 13 is an environmental perspective view of the stackable beverage container in a stacked condition; and, FIG. 14 is an environmental perspective view of the stackable beverage container in a stacked condition. The broken lines shown represent unclaimed subject matter and form no part of the claimed design.

**1 Claim, 7 Drawing Sheets**

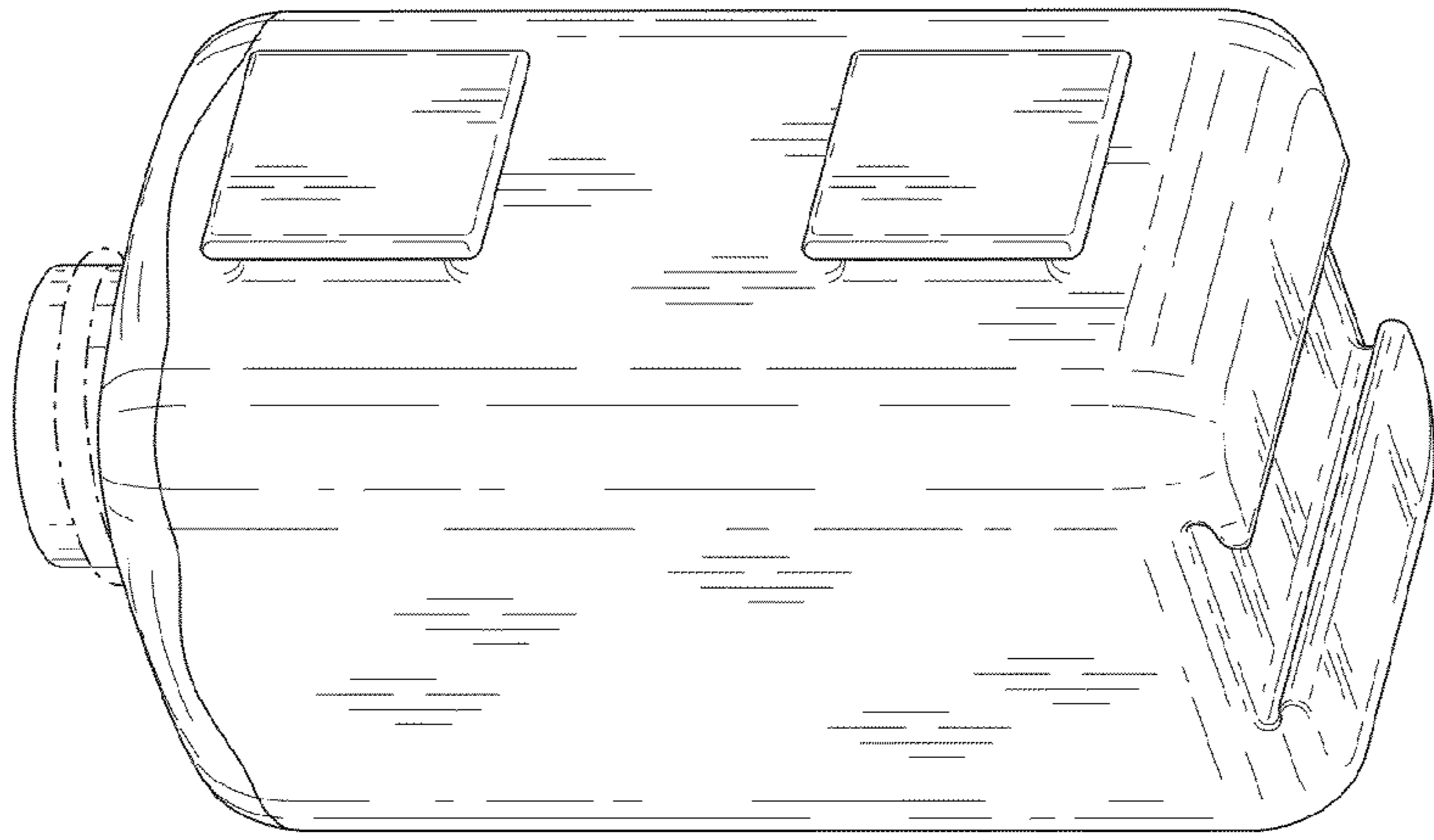




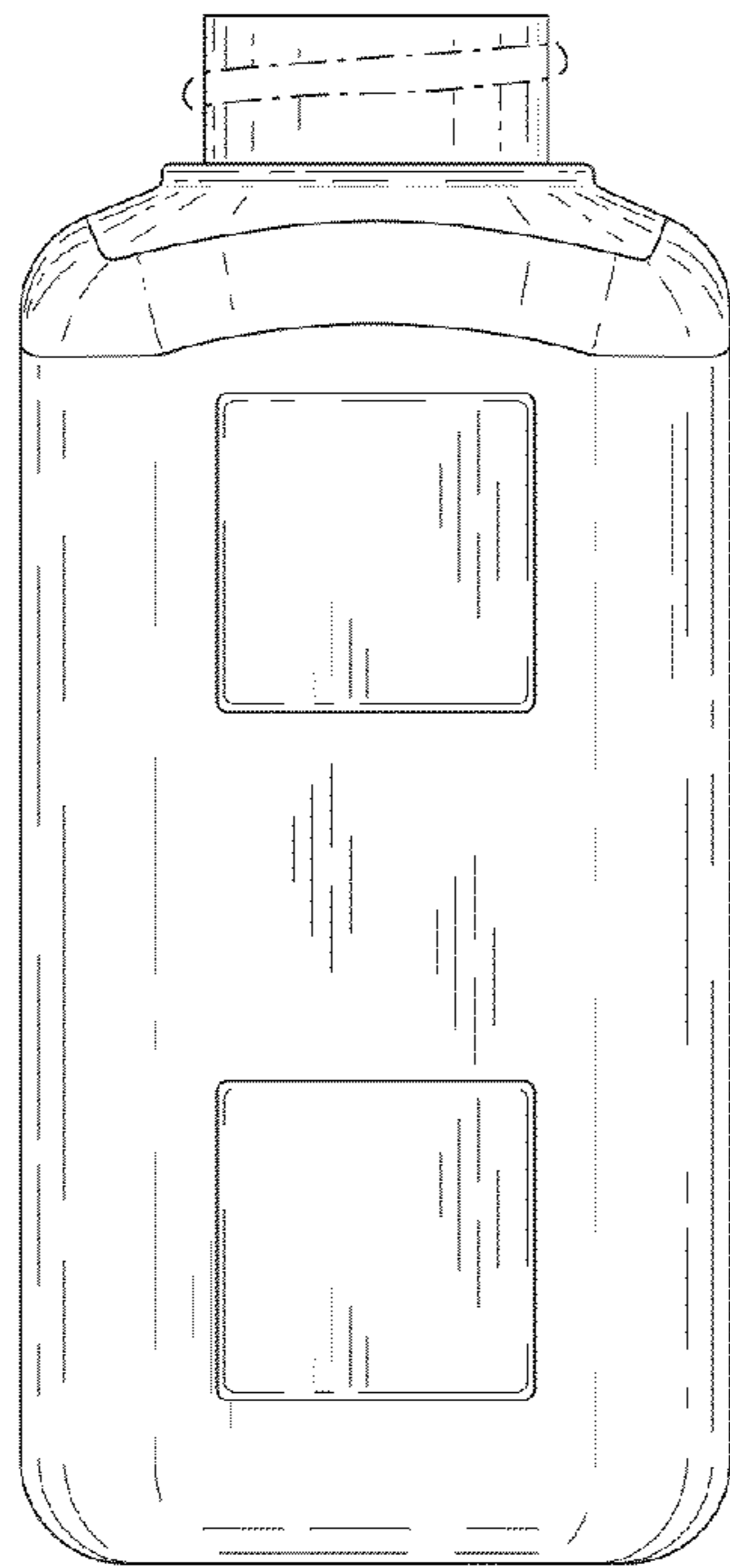
*Fig. 1*



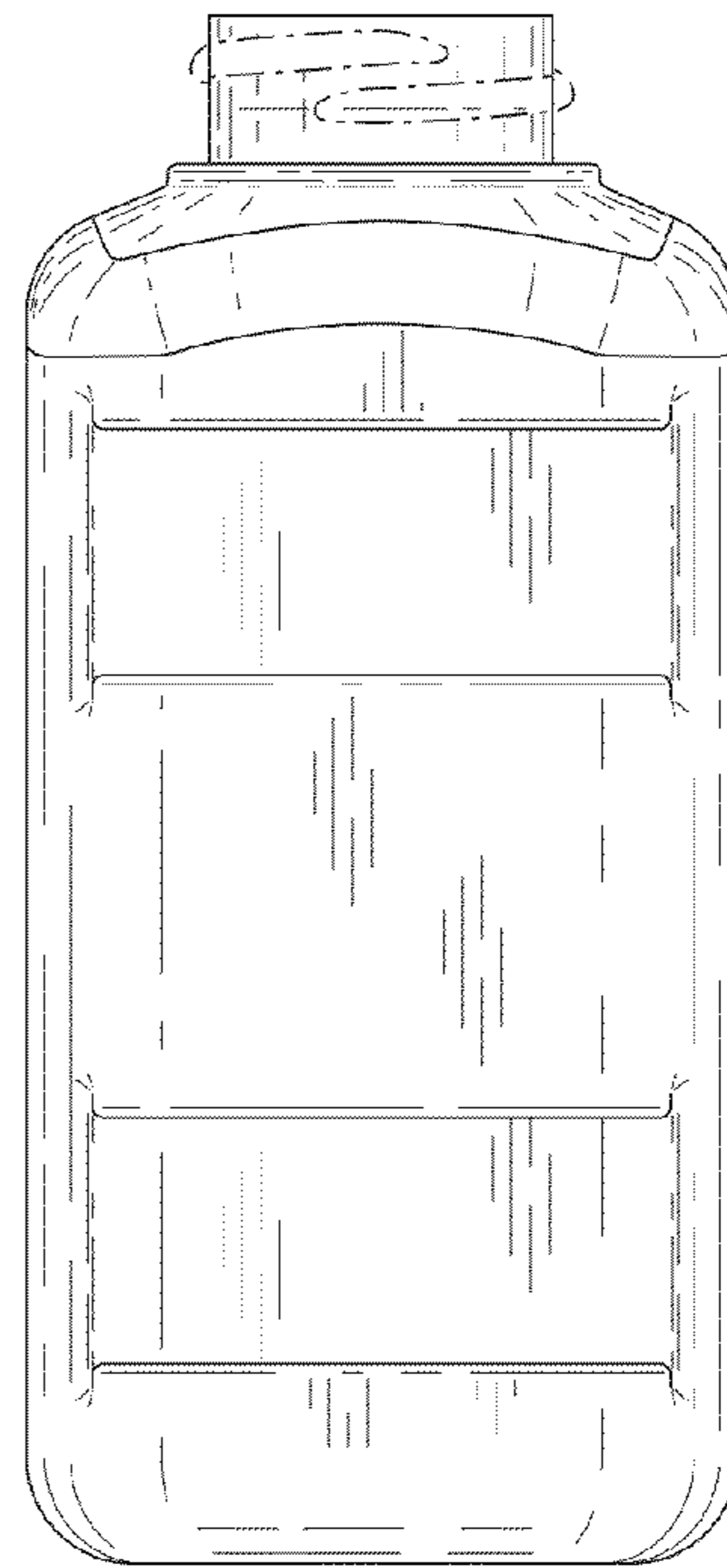
*Fig. 2*



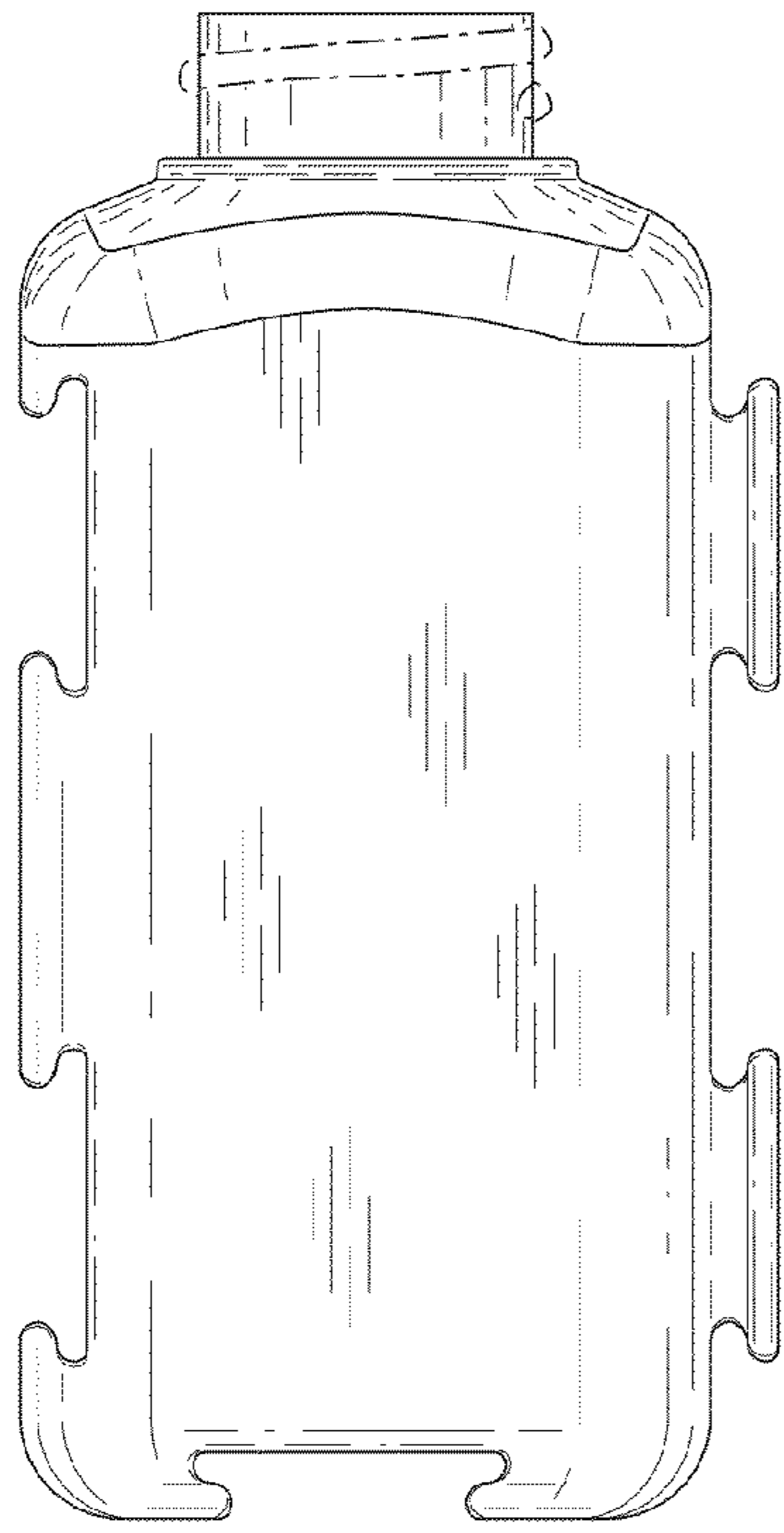
*Fig. 3*



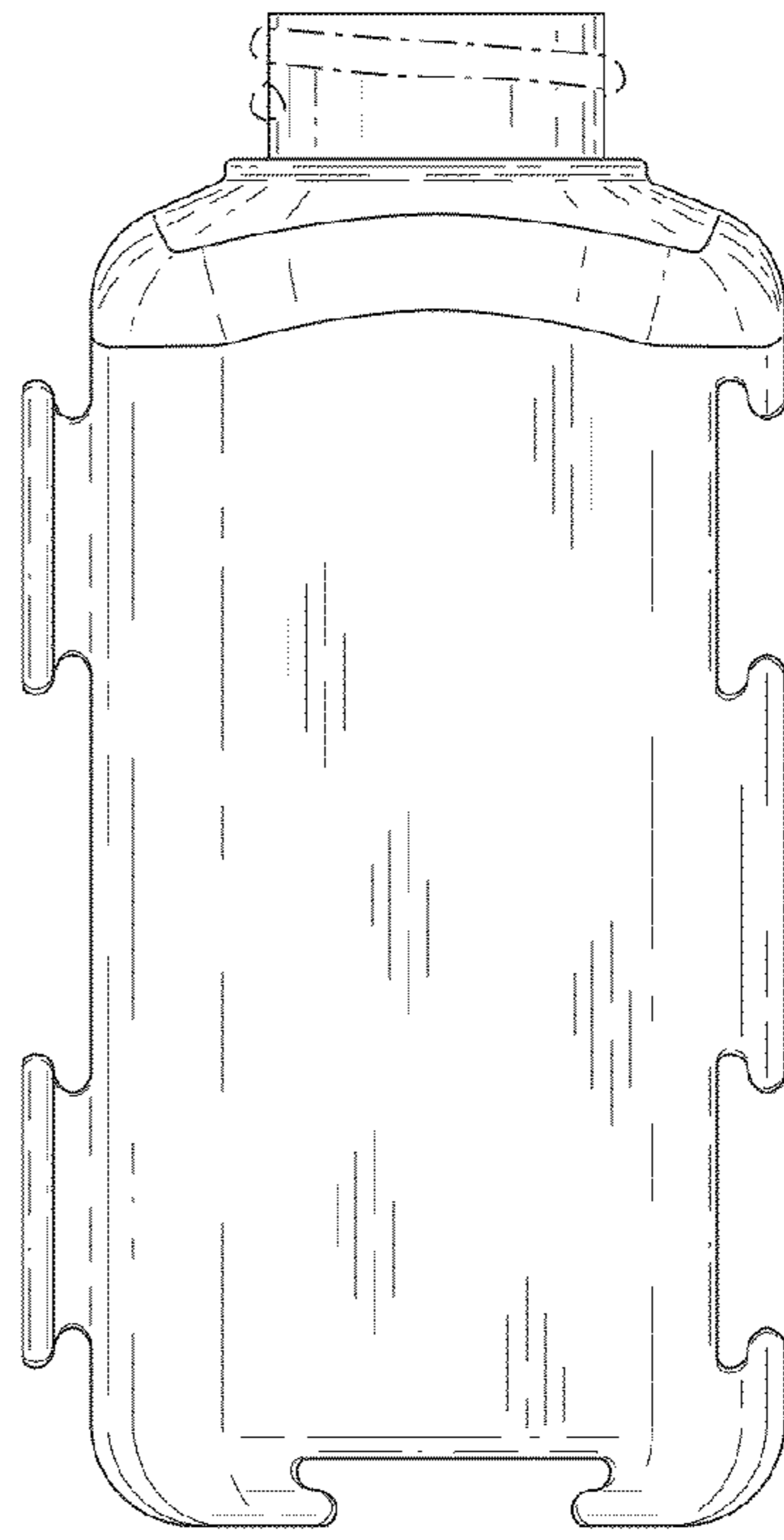
*Fig. 4*



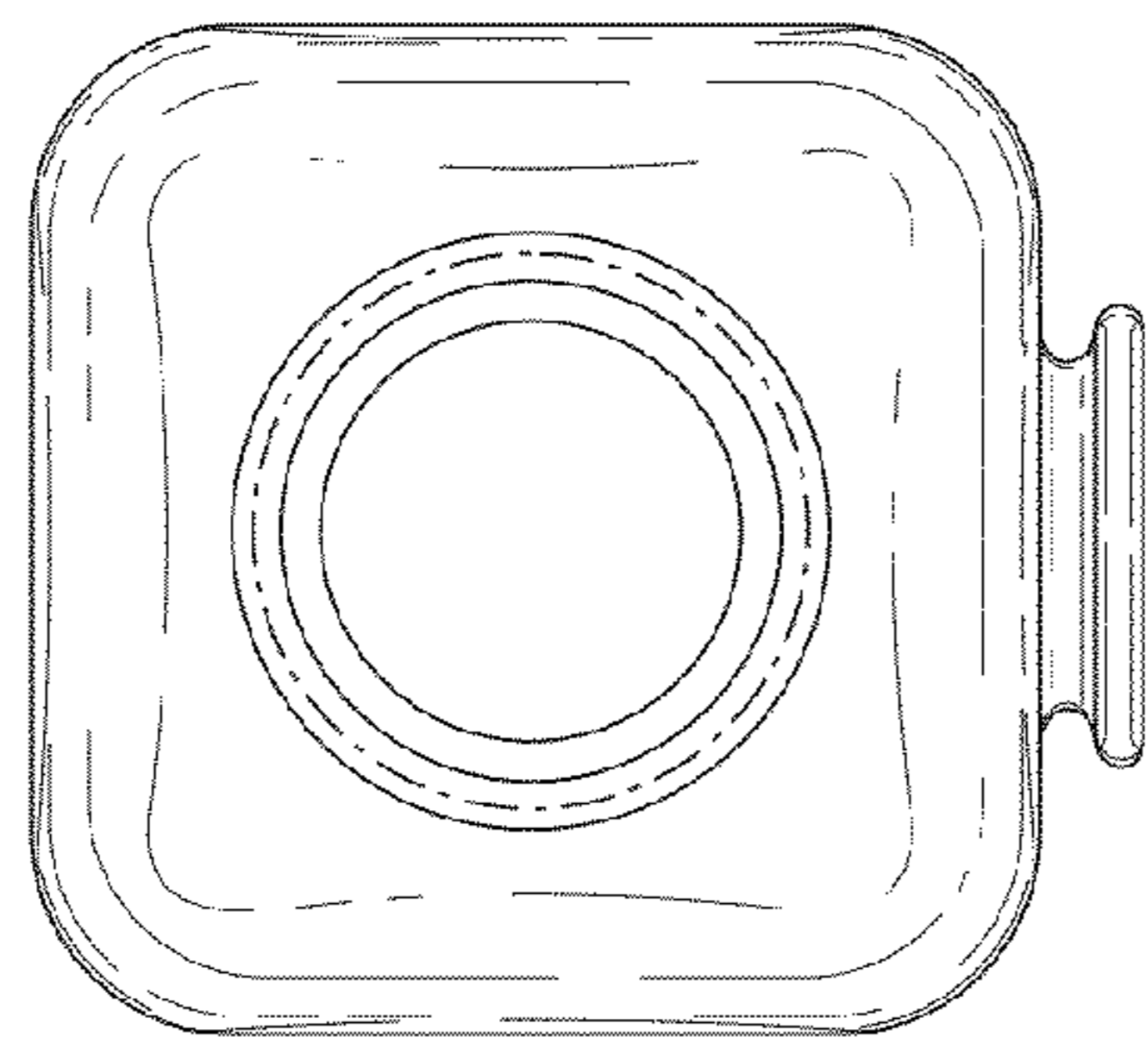
*Fig. 5*



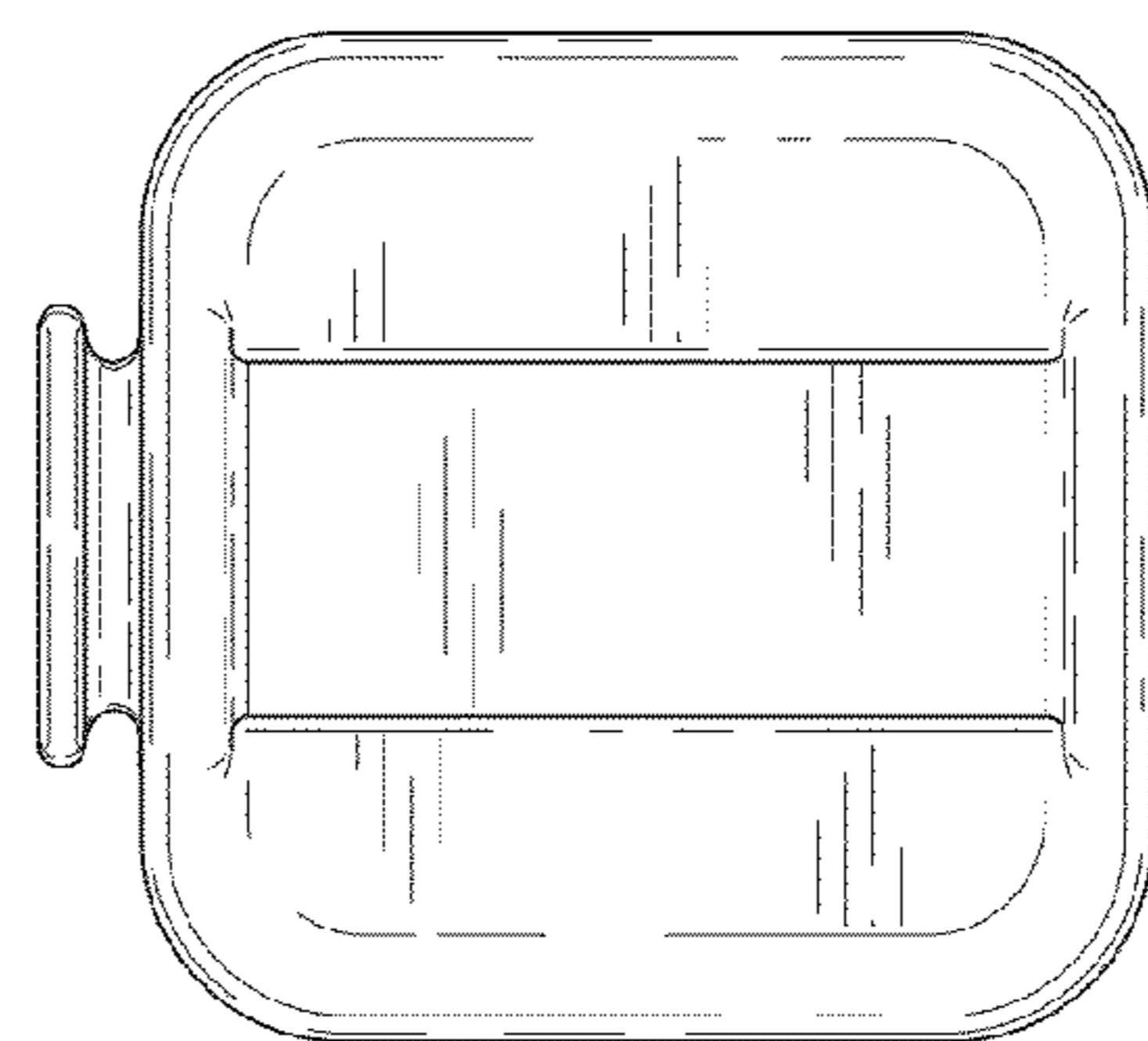
*Fig. 6*



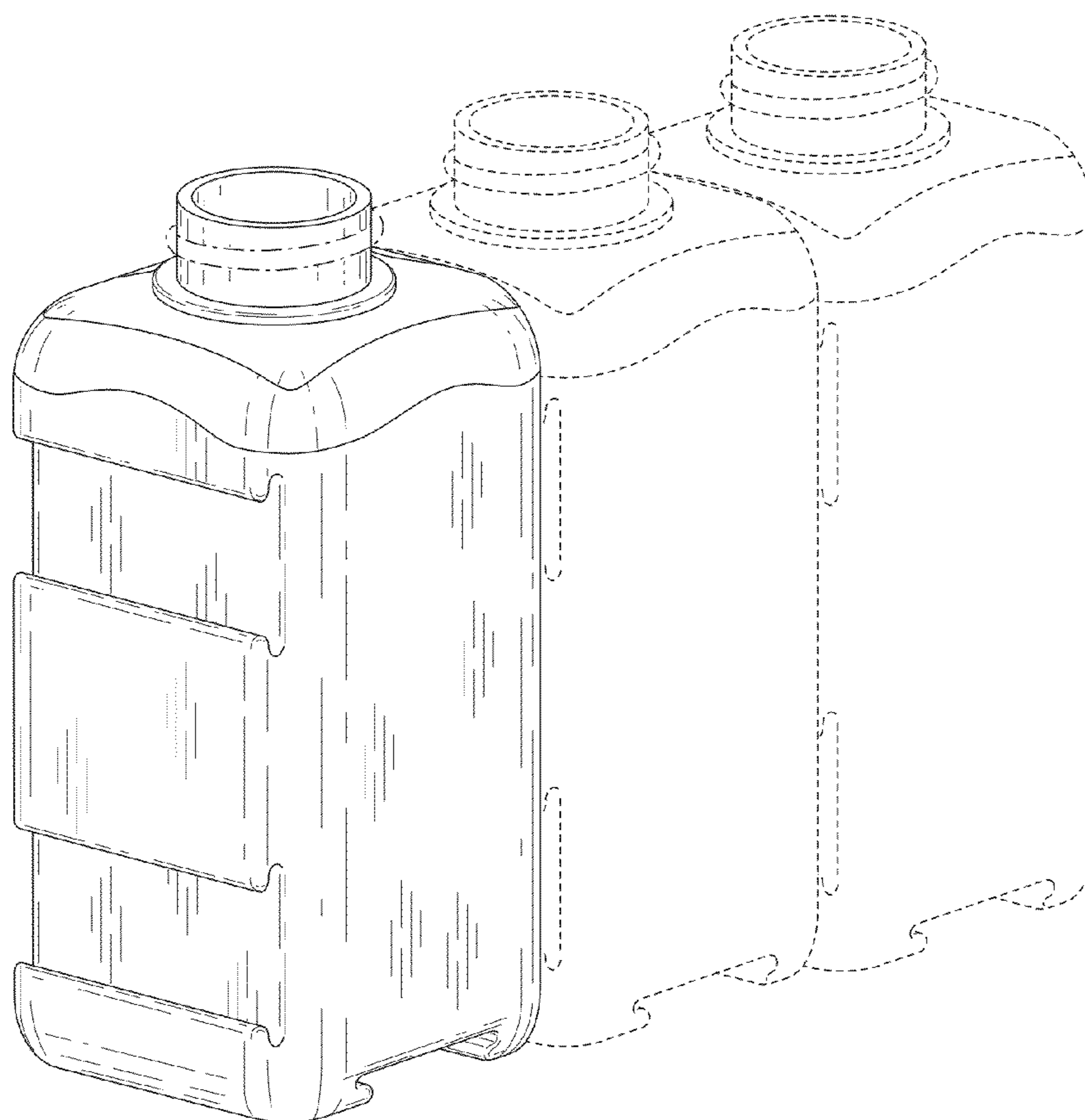
*Fig. 7*



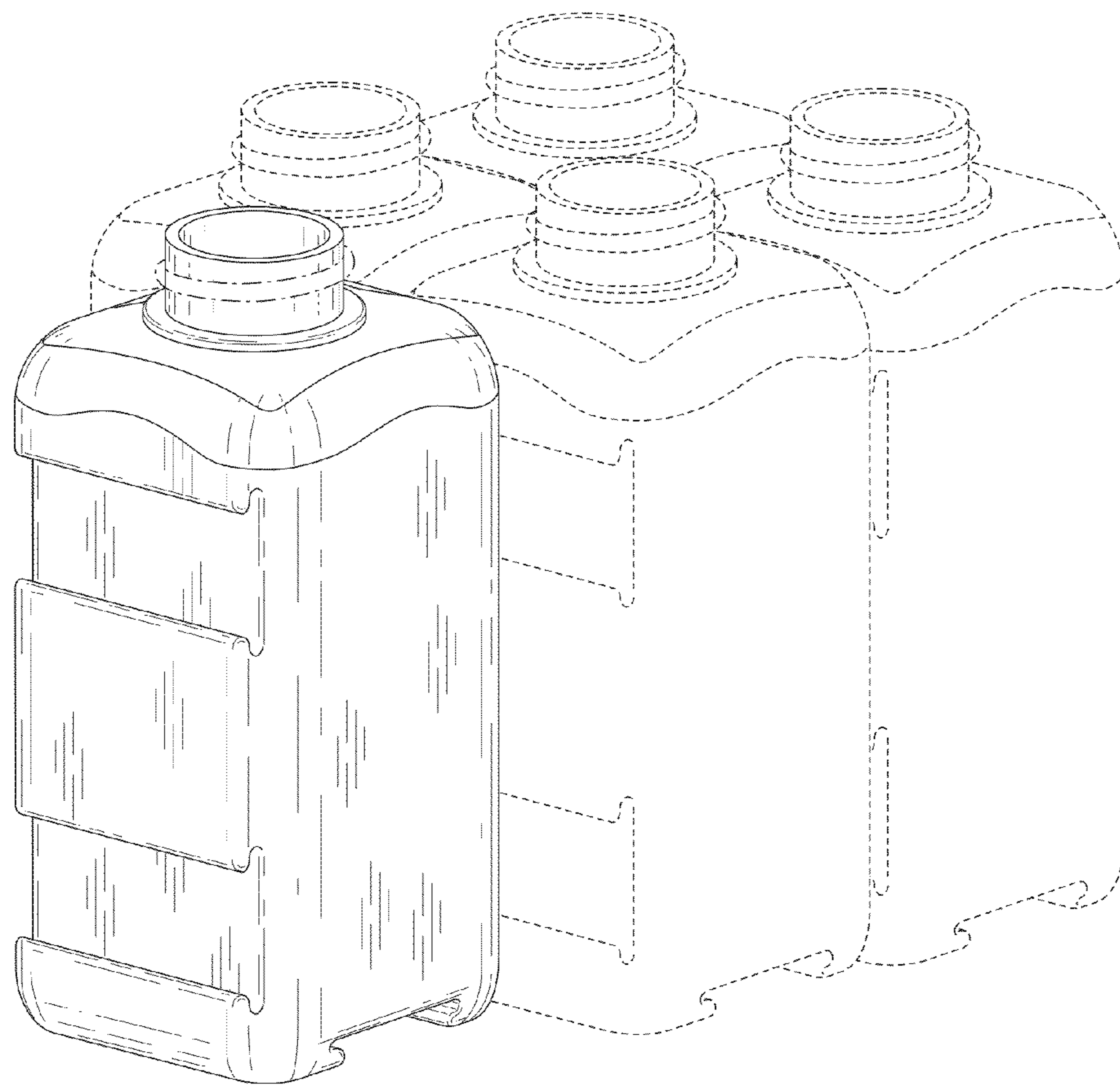
*Fig. 8*



*Fig. 9*



*Fig. 10*



*Fig. 11*

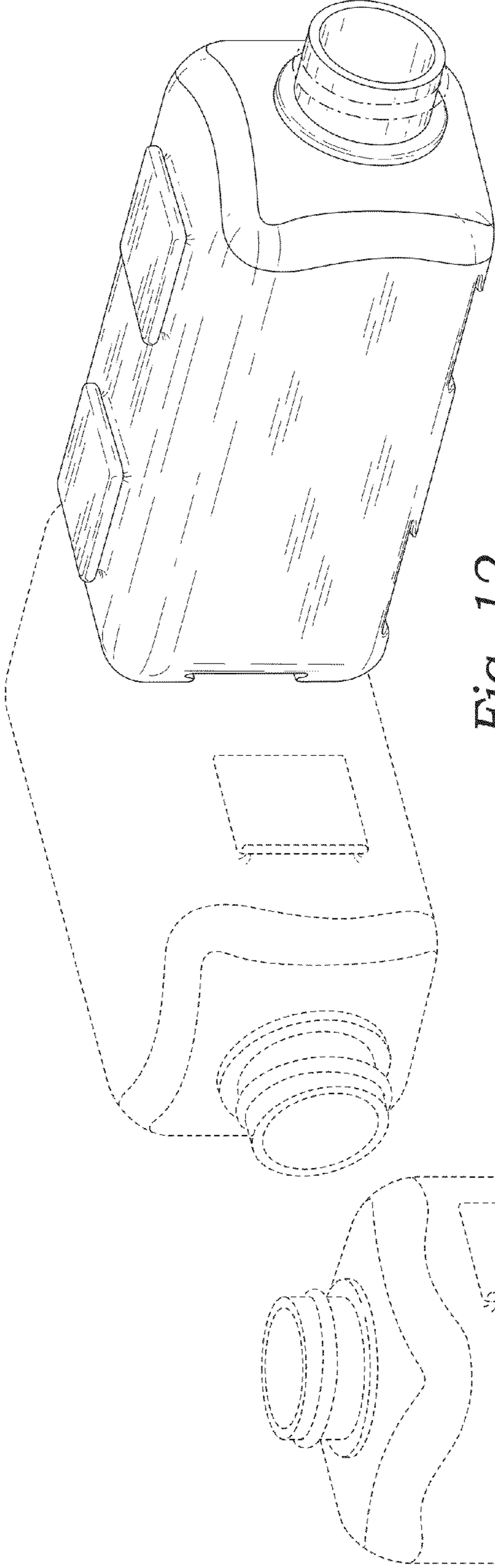


Fig. 12

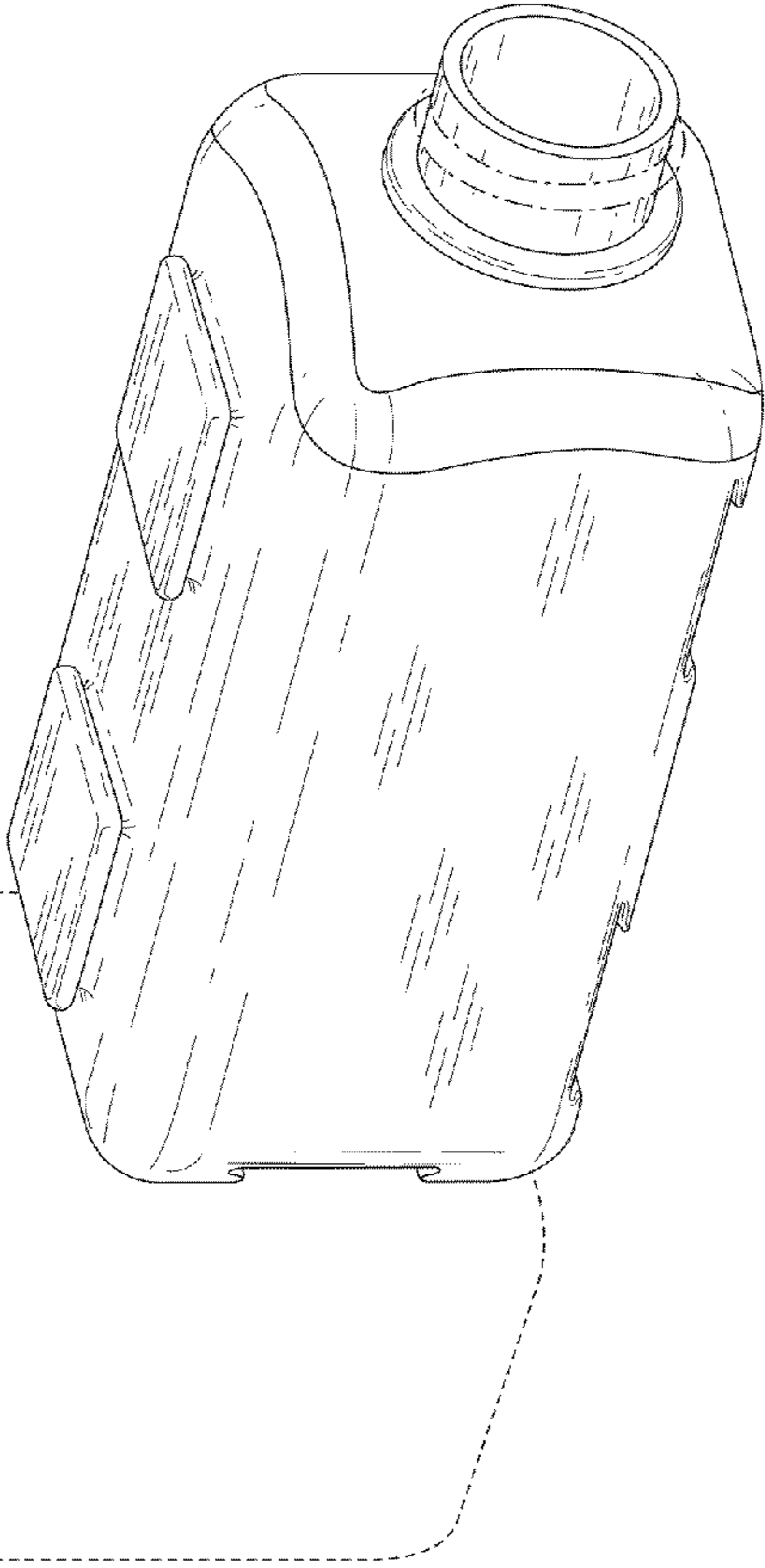


Fig. 13

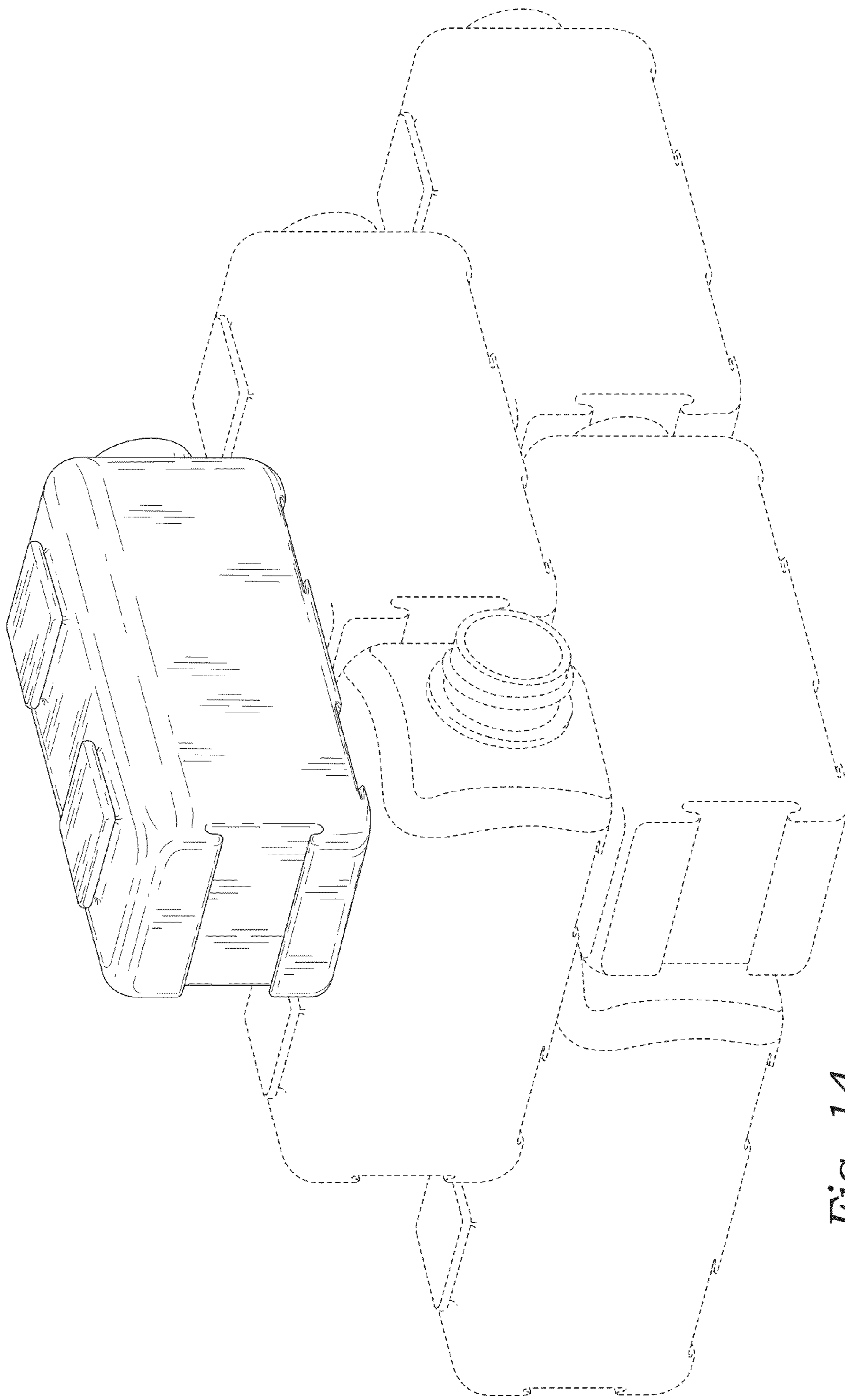


Fig. 14