



US00D716145S

(12) **United States Design Patent**
Paredes et al.

(10) **Patent No.:** **US D716,145 S**
(45) **Date of Patent:** **** Oct. 28, 2014**

(54) **CONTAINER FINISH**

- (71) Applicant: **Owens-Brockway Glass Container Inc.**, Perrysburg, OH (US)
- (72) Inventors: **Raul M. Paredes**, Perrysburg, OH (US); **Edward A. Grant**, Northwood, OH (US); **Donald P. Delagrance**, Lambertville, OH (US)
- (73) Assignee: **Owens-Brockway Glass Container Inc.**, Perrysburg, OH (US)
- (**) Term: **14 Years**
- (21) Appl. No.: **29/475,866**
- (22) Filed: **Dec. 7, 2013**

Related U.S. Application Data

- (63) Continuation of application No. 29/418,028, filed on Apr. 11, 2012, now abandoned.

- (51) **LOC (10) Cl.** **09-01**
- (52) **U.S. Cl.**
USPC **D9/516**

(58) **Field of Classification Search**

CPC B65D 1/00; B65D 1/02; B65D 1/0223; B65D 1/023; B65D 1/0246; B65D 1/40; B65D 23/00; B65D 23/04; B65D 25/00; B65D 25/40; B65D 25/42
USPC D9/434-435, 447, 500, 502-505, 516, D9/537, 539, 549-550, 558, 575; D3/203.2; D24/115, 224; 206/540, 206/828; 215/40-46, 47; 221/303; 222/540, 222/572, 574-575, 567
See application file for complete search history.

(56) **References Cited**

U.S. PATENT DOCUMENTS

1,108,023 A 8/1914 Texter
1,814,659 A 7/1931 Barroll

(Continued)

FOREIGN PATENT DOCUMENTS

WO 2004065249 8/2004

OTHER PUBLICATIONS

U.S. Appl. No. 13/875,006, filed May 1, 2013, Brian J. Brozell, et al.

(Continued)

Primary Examiner — Ian Simmons

Assistant Examiner — Dana L Meyrow

(74) *Attorney, Agent, or Firm* — Reising Ethington PC

(57) **CLAIM**

We claim the ornamental design for a container finish, as shown and described.

DESCRIPTION

FIG. 1 is a perspective view of a container finish in accordance with our new design.

FIG. 2 is a front elevational view of the container finish in FIG. 1.

FIG. 3 is a side elevational view of the container finish in FIGS. 1 and 2 taken from the left in FIG. 2.

FIG. 4 is a side elevational view of the container finish in FIGS. 1-3 taken from the right in FIG. 2.

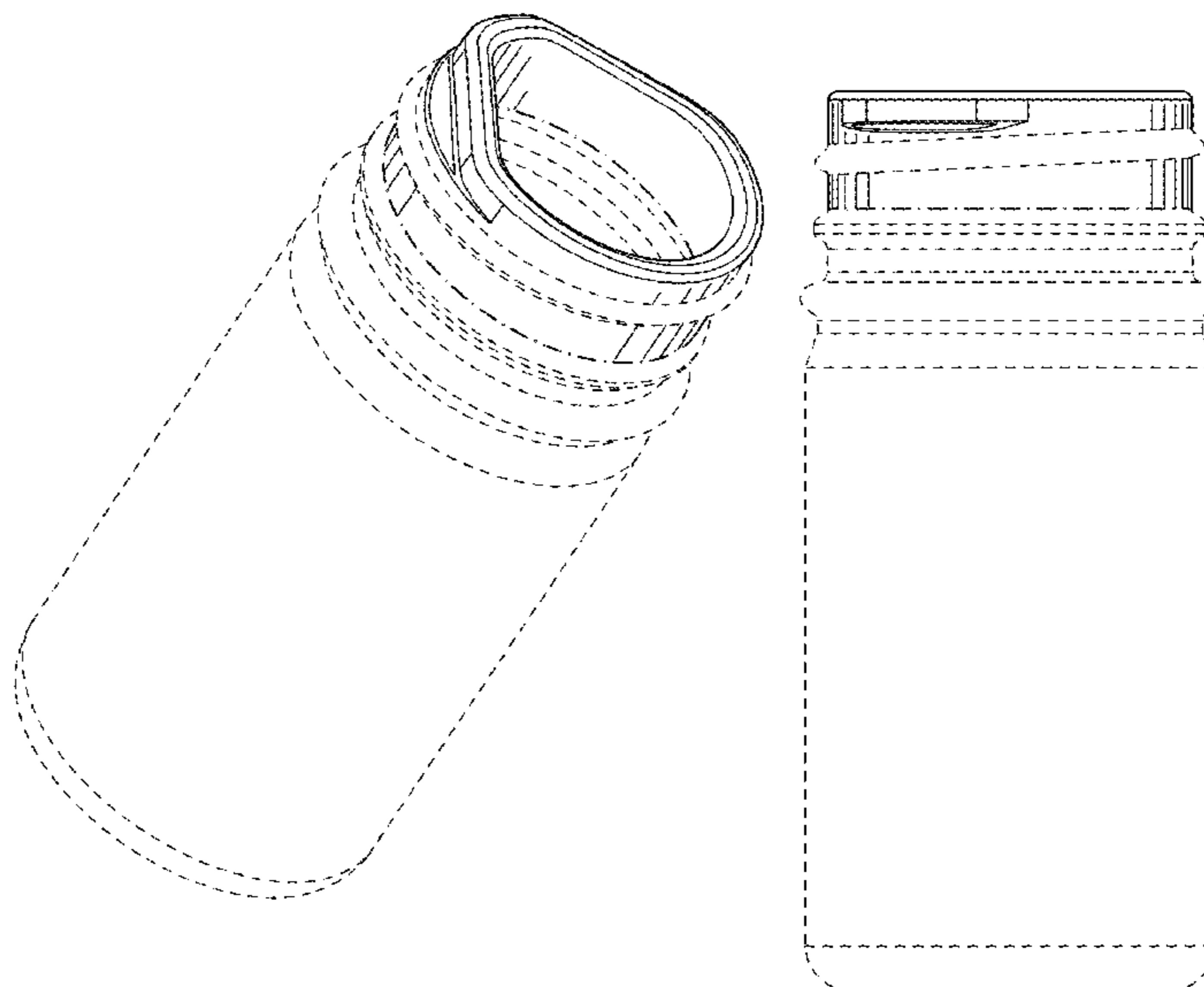
FIG. 5 is a rear elevational view of the container finish in FIG. 2; and,

FIG. 6 is a top plan view of the container finish in FIG. 2.

The evenly-dashed broken lines in the drawings showing the body of the container and the finish threads illustrate the portions of the design that form no part of the claim.

Dash-dot-dash broken lines shown in the drawings represent boundaries of the claimed design and are not part of the claimed design.

1 Claim, 3 Drawing Sheets



(56)

References Cited

U.S. PATENT DOCUMENTS

2,035,877 A 3/1936 Geerlings
 2,039,345 A 5/1936 Ravenscroft
 2,059,910 A 11/1936 Ravenscroft
 2,075,776 A 3/1937 Barnby
 RE20,427 E 6/1937 Geerlings
 2,135,330 A 11/1938 Desser
 2,428,588 A 10/1947 Schroeder et al.
 2,688,823 A 9/1954 Weber
 3,022,916 A 2/1962 Spooner
 3,235,111 A 2/1966 Whitton, Jr. et al.
 3,247,994 A 4/1966 Fuglsang-Madsen et al.
 3,285,452 A 11/1966 Moloney et al.
 D207,051 S * 2/1967 Bainbridge D9/447
 3,400,846 A 9/1968 Kelly
 3,537,498 A 11/1970 St. Amand
 3,700,146 A 10/1972 Cousins et al.
 3,738,524 A 6/1973 Richie
 3,885,696 A 5/1975 Eberhardt
 D262,193 S * 12/1981 Fowkes D9/447
 4,674,644 A 6/1987 Jacobs
 4,732,289 A 3/1988 Granat et al.
 5,012,960 A * 5/1991 Arnold 222/570
 D341,318 S * 11/1993 Brown D9/447
 5,372,284 A 12/1994 Mock
 5,947,309 A 9/1999 Anderson
 5,964,383 A 10/1999 Cargile
 6,059,153 A 5/2000 Olsen et al.

6,085,949 A 7/2000 Zimny et al.
 6,213,338 B1 4/2001 Cogdill
 6,609,638 B1 8/2003 Lott
 6,695,162 B1 2/2004 Boukobza et al.
 D494,868 S 8/2004 Walsh et al.
 6,814,248 B2 11/2004 Beck et al.
 D510,266 S * 10/2005 Walsh et al. D9/447
 6,983,862 B2 * 1/2006 Nottingham et al. 222/109
 D515,419 S 2/2006 Manke
 6,994,233 B2 2/2006 Dygert et al.
 7,770,745 B2 8/2010 Weissmann et al.
 D696,954 S * 1/2014 Carro D9/516
 D697,799 S * 1/2014 Sanders D9/447
 2002/0195471 A1 12/2002 Nottingham et al.
 2007/0210123 A1 9/2007 Penny et al.
 2007/0235477 A1 10/2007 Penny et al.
 2007/0241141 A1 10/2007 Maki et al.
 2008/0230573 A1 9/2008 Enahoro
 2010/0163515 A1 7/2010 Nemoto
 2010/0181278 A1 7/2010 Martin
 2013/0105432 A1 5/2013 Paredes et al.
 2014/0166606 A1 * 6/2014 Brozell et al. 215/44

OTHER PUBLICATIONS

International Search Report and Written Opinion, International Application No. PCT/US2012/053075, International Filing Date—Aug. 30, 2012, Mailing Date—Nov. 26, 2012, 12 pages.

* cited by examiner

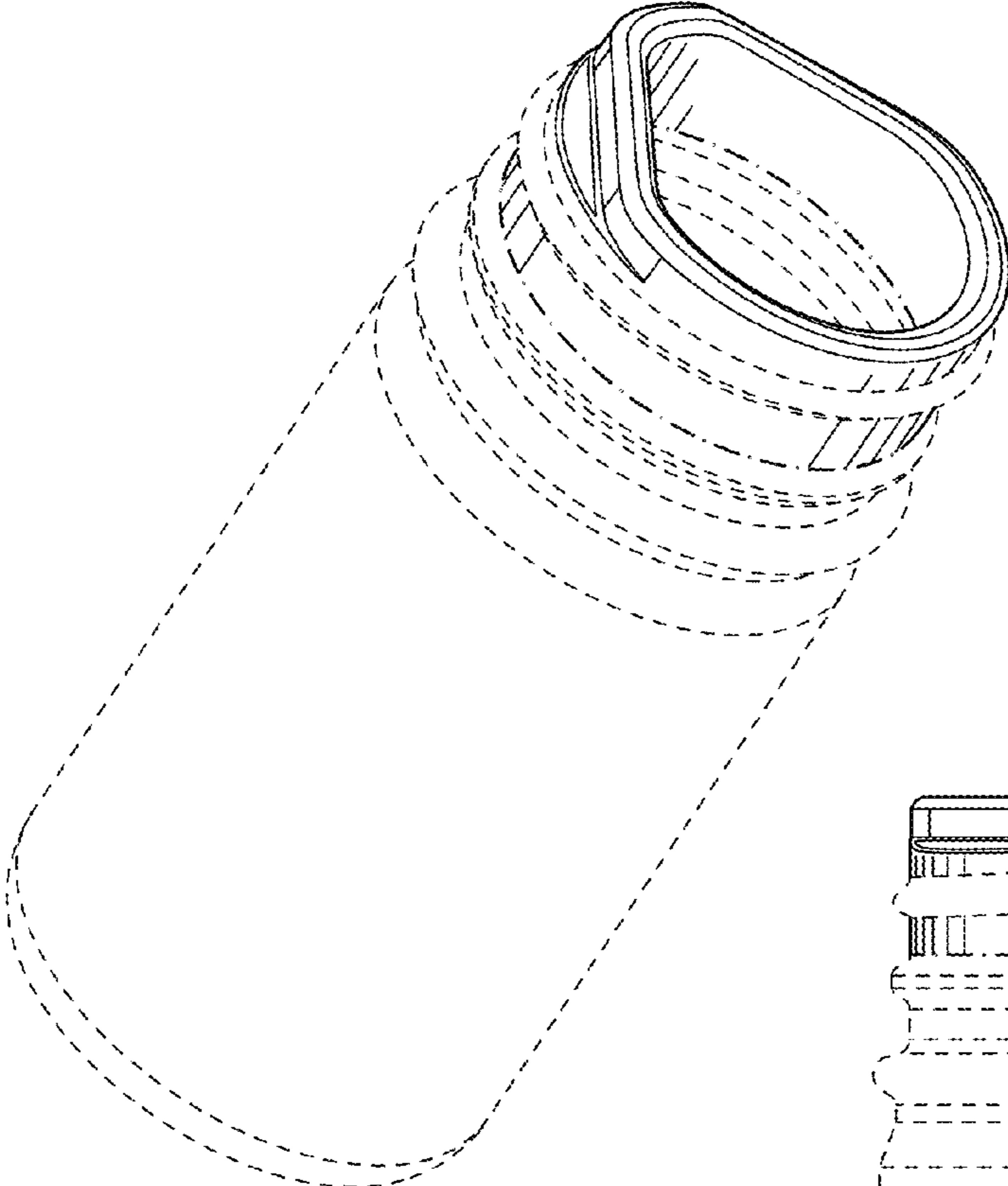


FIG. 1

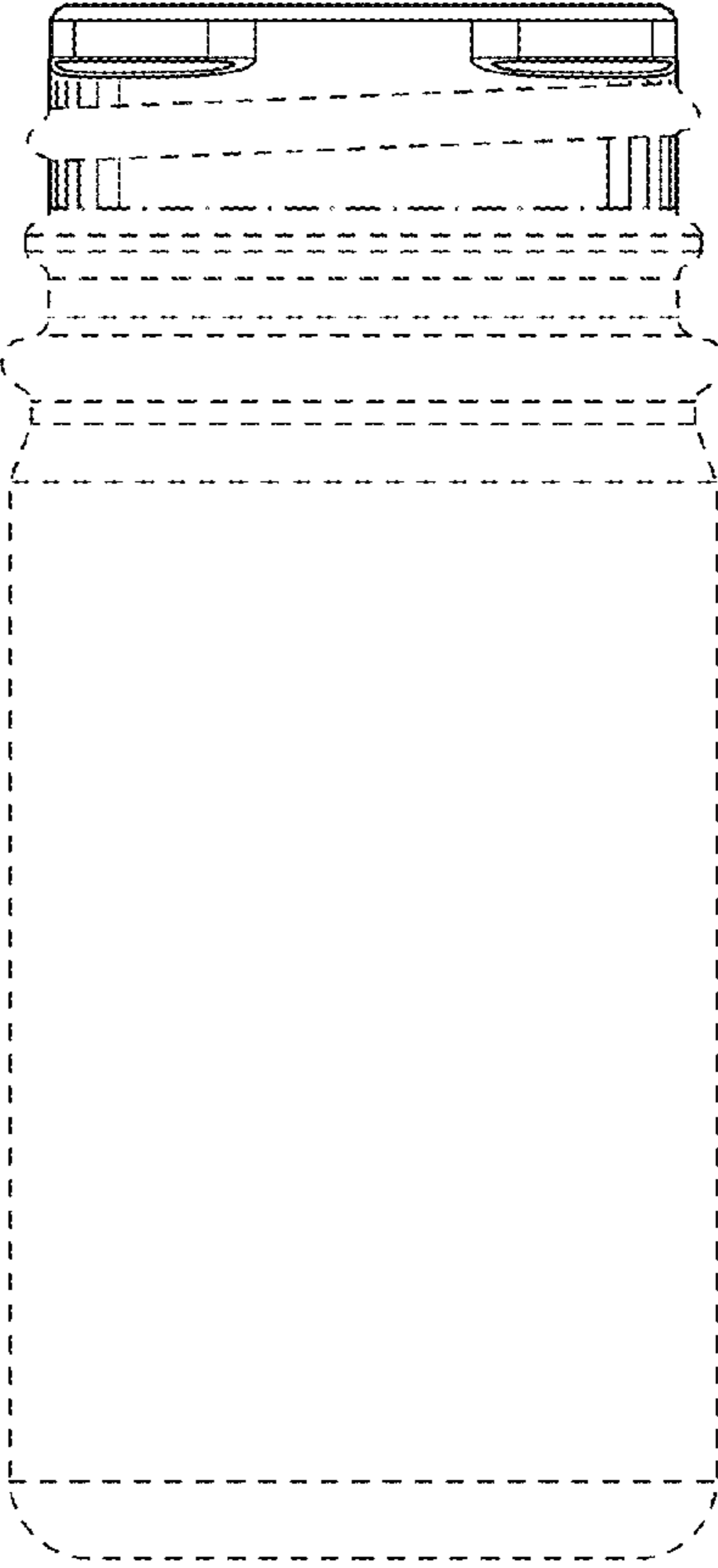


FIG. 2

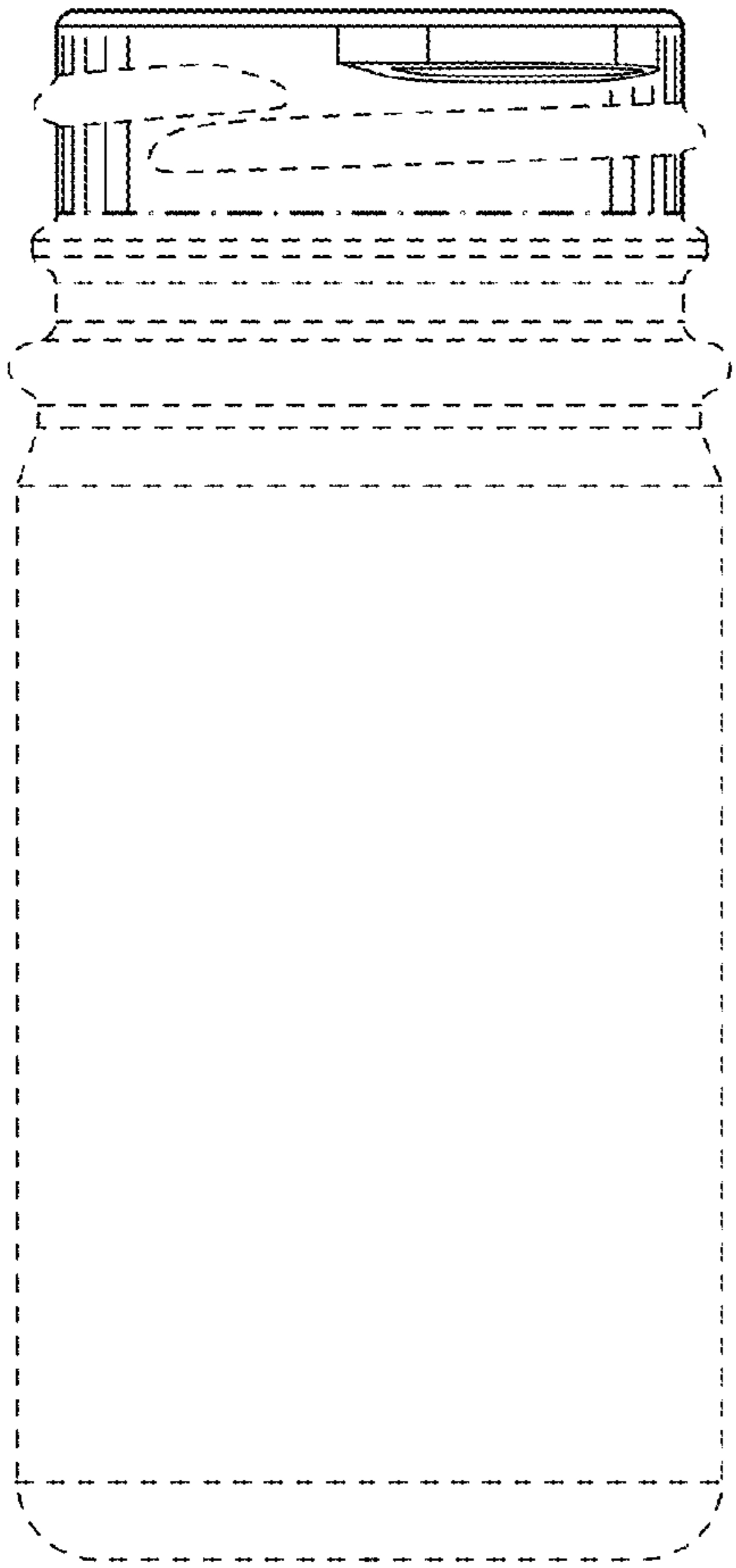


FIG. 3

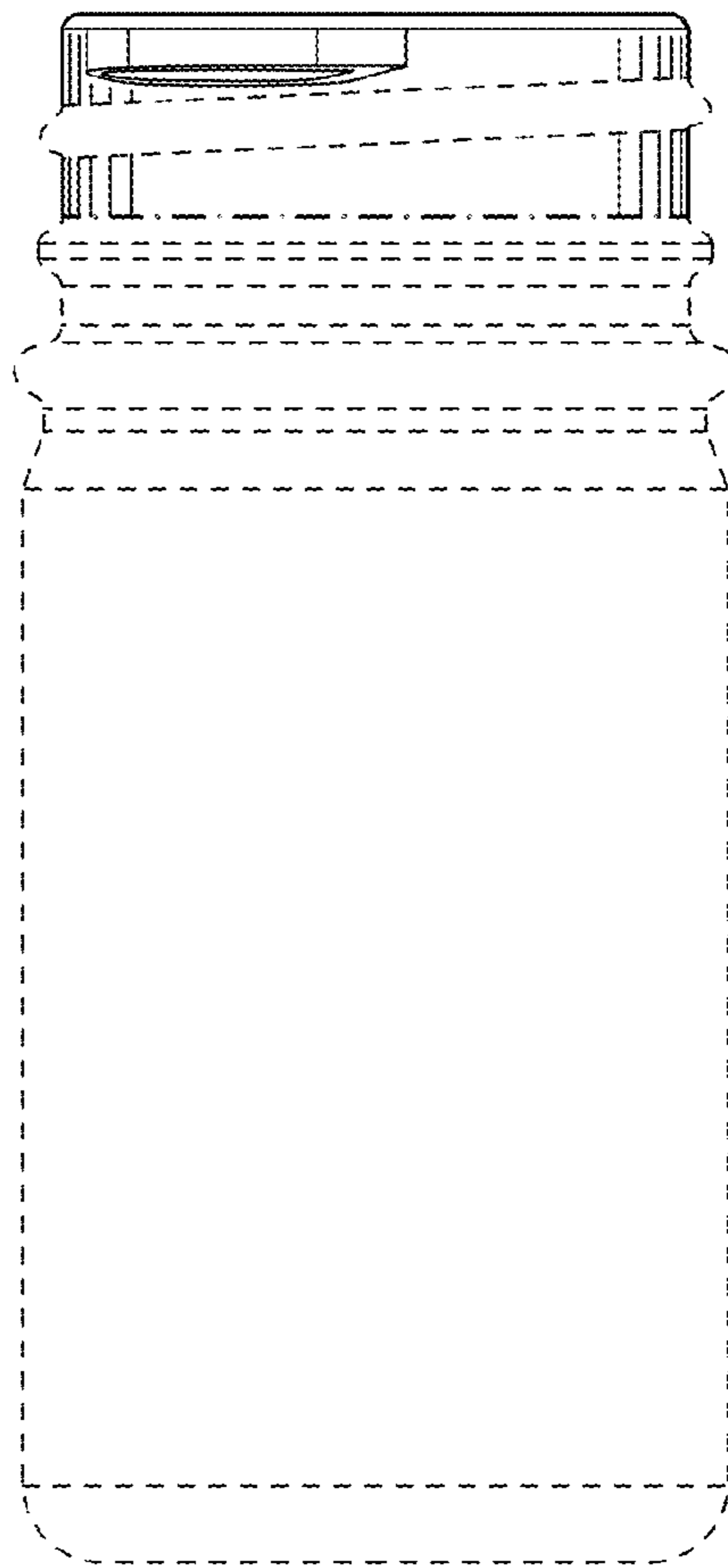


FIG. 4

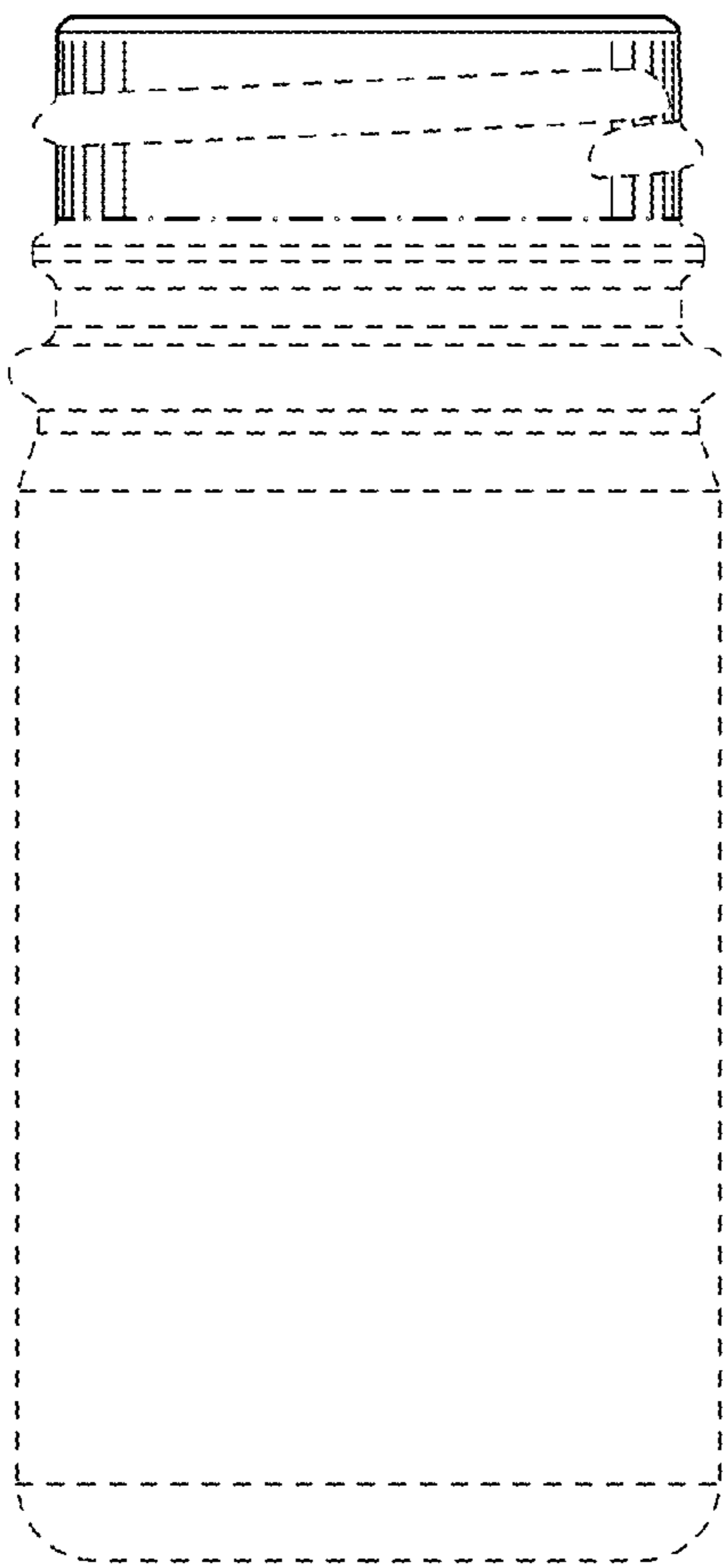


FIG. 5

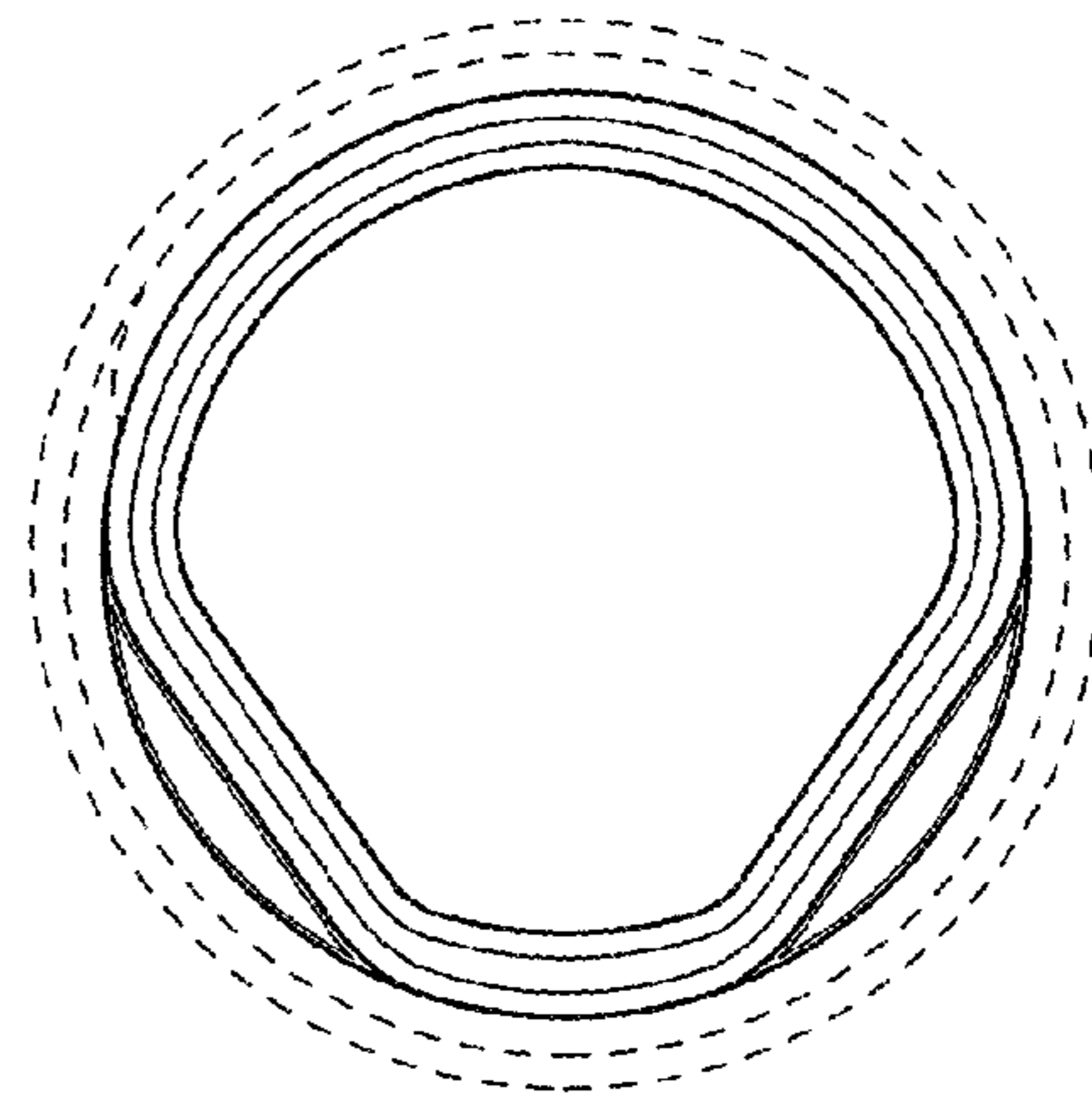


FIG. 6