



US00D716143S

(12) **United States Design Patent**
Schulz et al.

(10) **Patent No.:** **US D716,143 S**
(45) **Date of Patent:** **** Oct. 28, 2014**

(54) **END CAP FOR A CONTAINER**
(75) Inventors: **Mark F. Schulz**, Lake Elmo, MN (US);
Scott D. Gullicks, Woodbury, MN (US)
(73) Assignee: **3M Innovative Properties Company**,
St. Paul, MN (US)

D526,900 S * 8/2006 Shieh et al. D9/445
2003/0085228 A1 5/2003 Oakes
2004/0035817 A1 2/2004 Lagler
2008/0144426 A1 6/2008 Janssen
2010/0133273 A1 6/2010 Thurman

(**) Term: **14 Years**

FOREIGN PATENT DOCUMENTS

CA 1075647 4/1980
WO WO 2009/11771 10/2009

(21) Appl. No.: **29/407,016**

* cited by examiner

(22) Filed: **Nov. 22, 2011**

Primary Examiner — Robert M Spear

(51) **LOC (10) CL.** **09-07**

(74) *Attorney, Agent, or Firm* — Philip P. Soo

(52) **U.S. Cl.**
USPC **D9/454**

(58) **Field of Classification Search**
USPC D9/452, 435, 434
See application file for complete search history.

(57) **CLAIM**

The ornamental design for an end cap for a container, as shown and described.

(56) **References Cited**

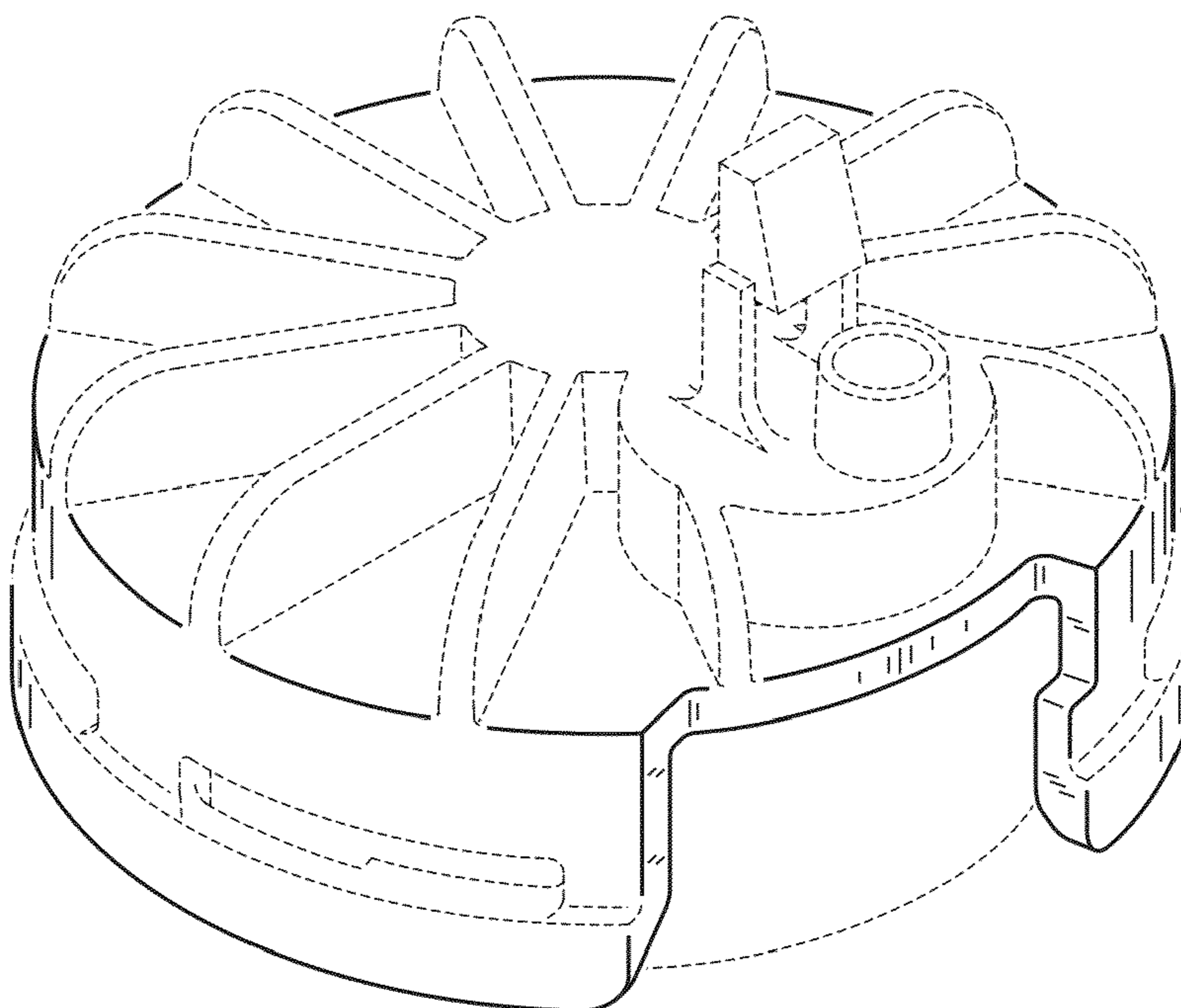
DESCRIPTION

U.S. PATENT DOCUMENTS

732,655 A * 6/1903 Saunders 215/276
2,826,339 A 3/1958 Maillard
D204,822 S * 5/1966 Barker D23/206
4,691,834 A 9/1987 Bullock, III
4,801,046 A 1/1989 Miczka
5,027,981 A 7/1991 Magister
5,501,368 A 3/1996 Brandhorst
D418,413 S * 1/2000 Stern D9/434
6,273,307 B1 8/2001 Gross
6,375,022 B1 4/2002 Zurcher
6,394,643 B1 5/2002 Bublewitz
D480,639 S * 10/2003 Ciavarella et al. D9/434
D507,742 S * 7/2005 Haggard D9/434

FIG. 1 is a perspective view of a new design for an end cap for a container;
FIG. 2 is a front side elevational view thereof;
FIG. 3 is a right side elevational view thereof;
FIG. 4 is a rear side elevational view thereof;
FIG. 5 is a left side elevational view thereof;
FIG. 6 is a top plan view thereof; and,
FIG. 7 is a bottom plan view thereof.
The portions of the end cap for a container shown in broken lines form no part of the claimed design.

1 Claim, 3 Drawing Sheets



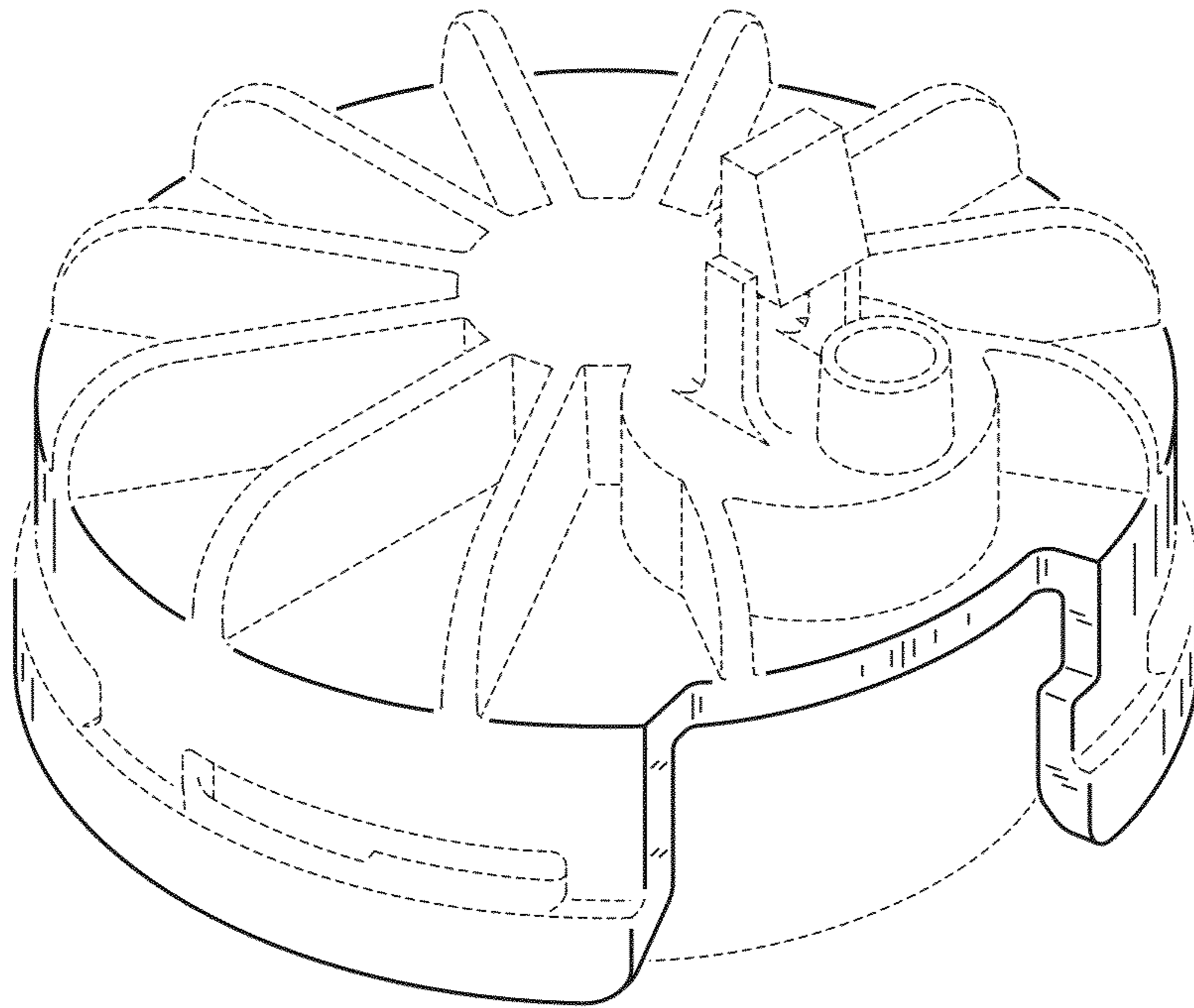


FIG. 1

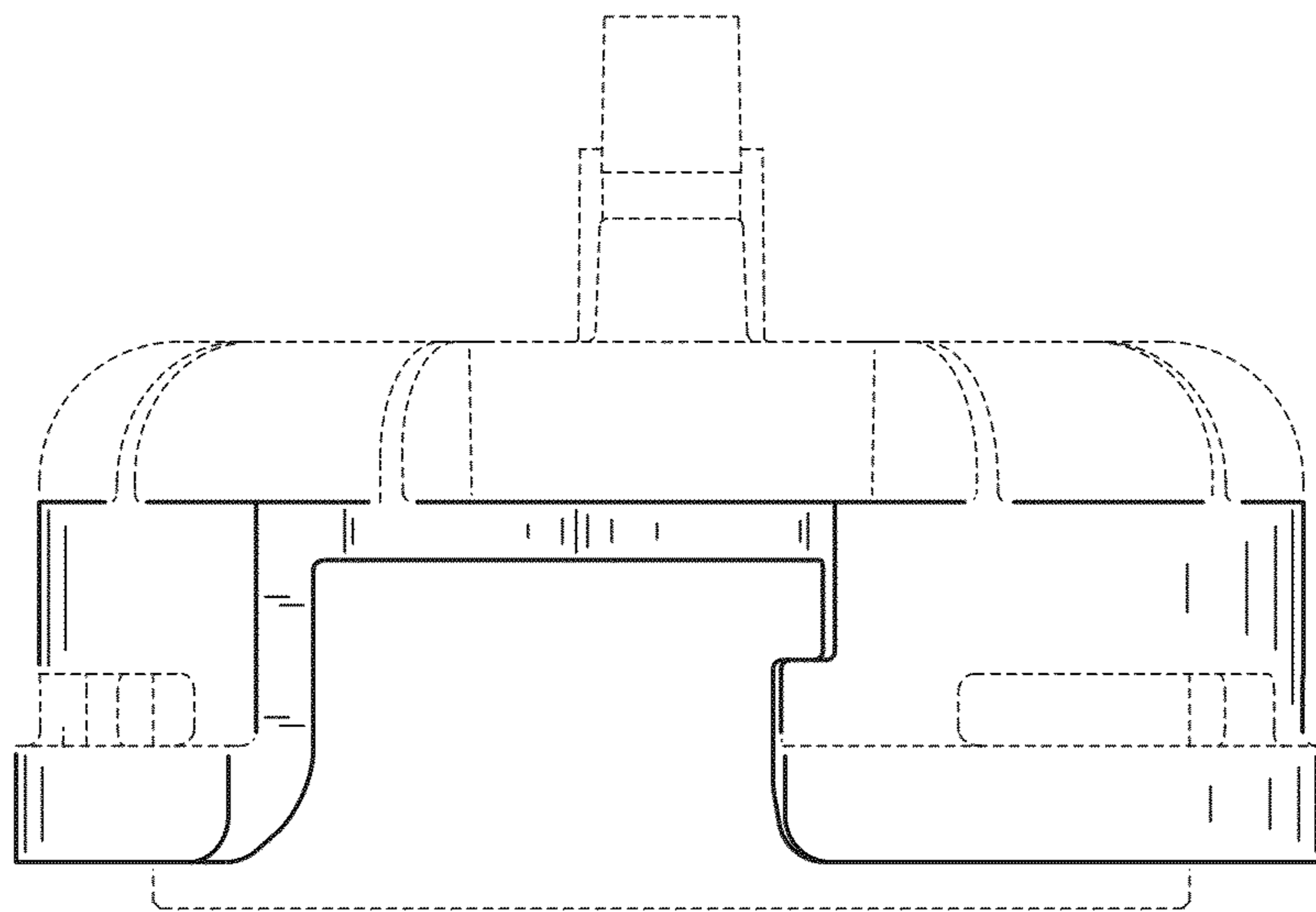


FIG. 2

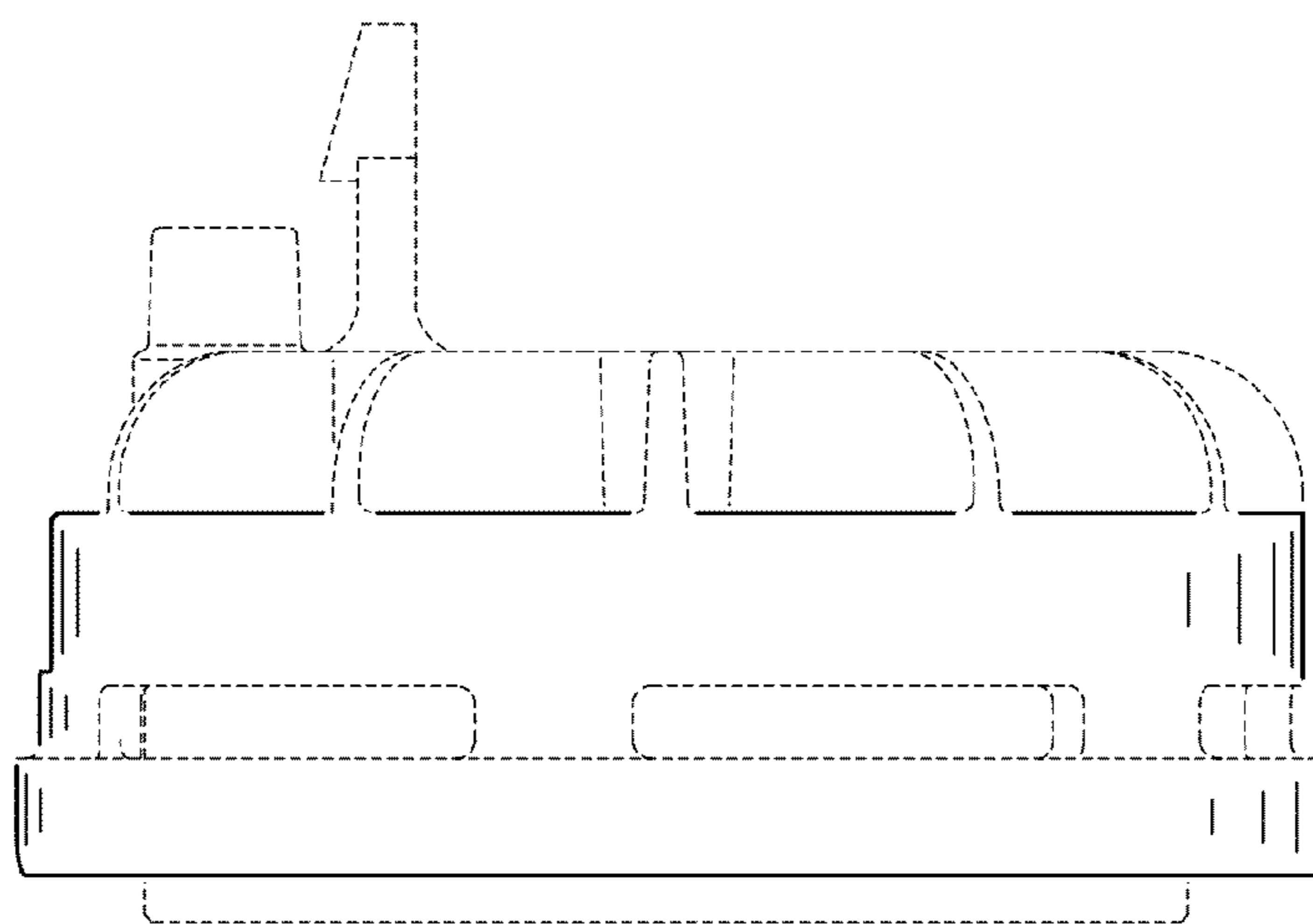


FIG. 3

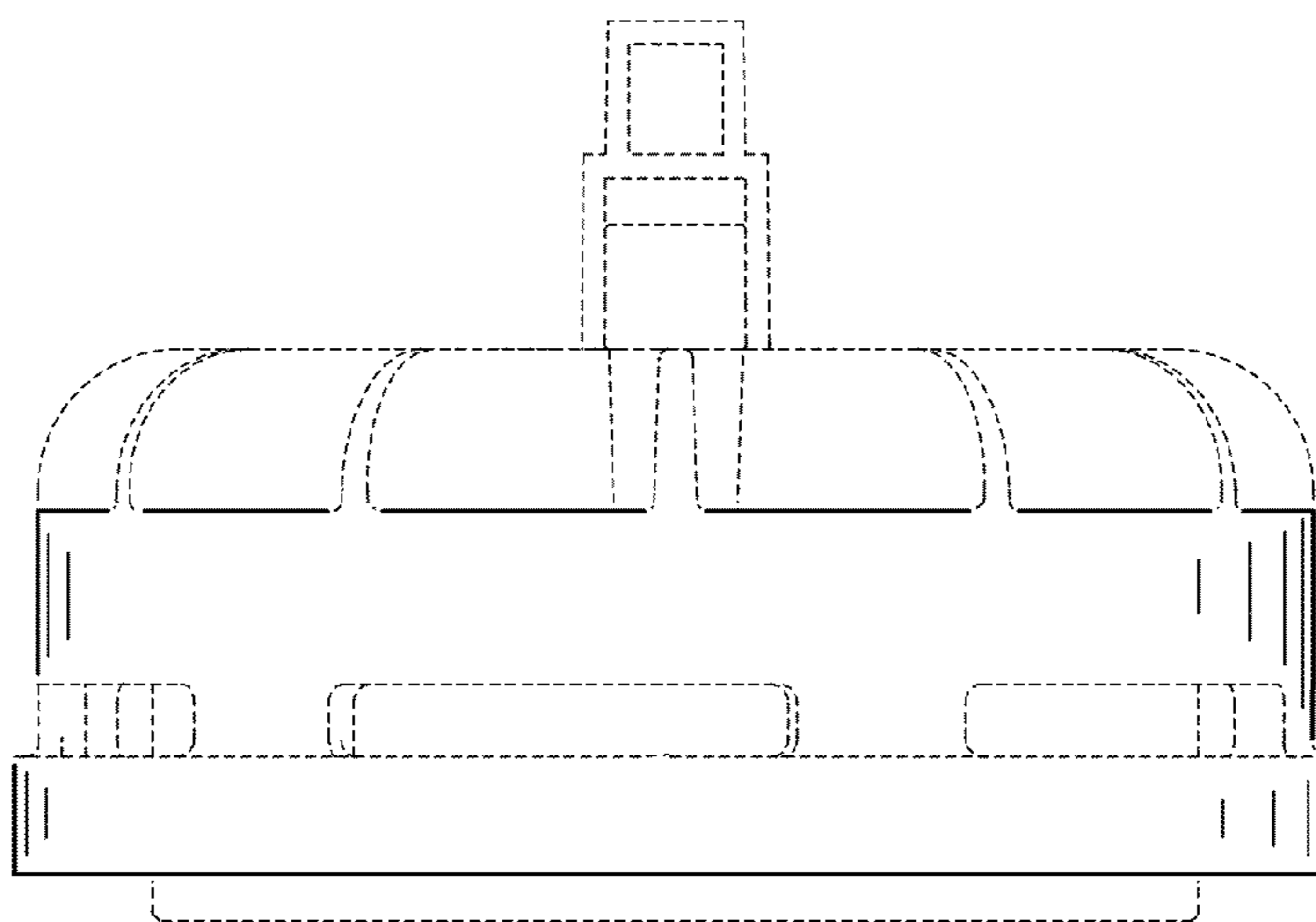


FIG. 4

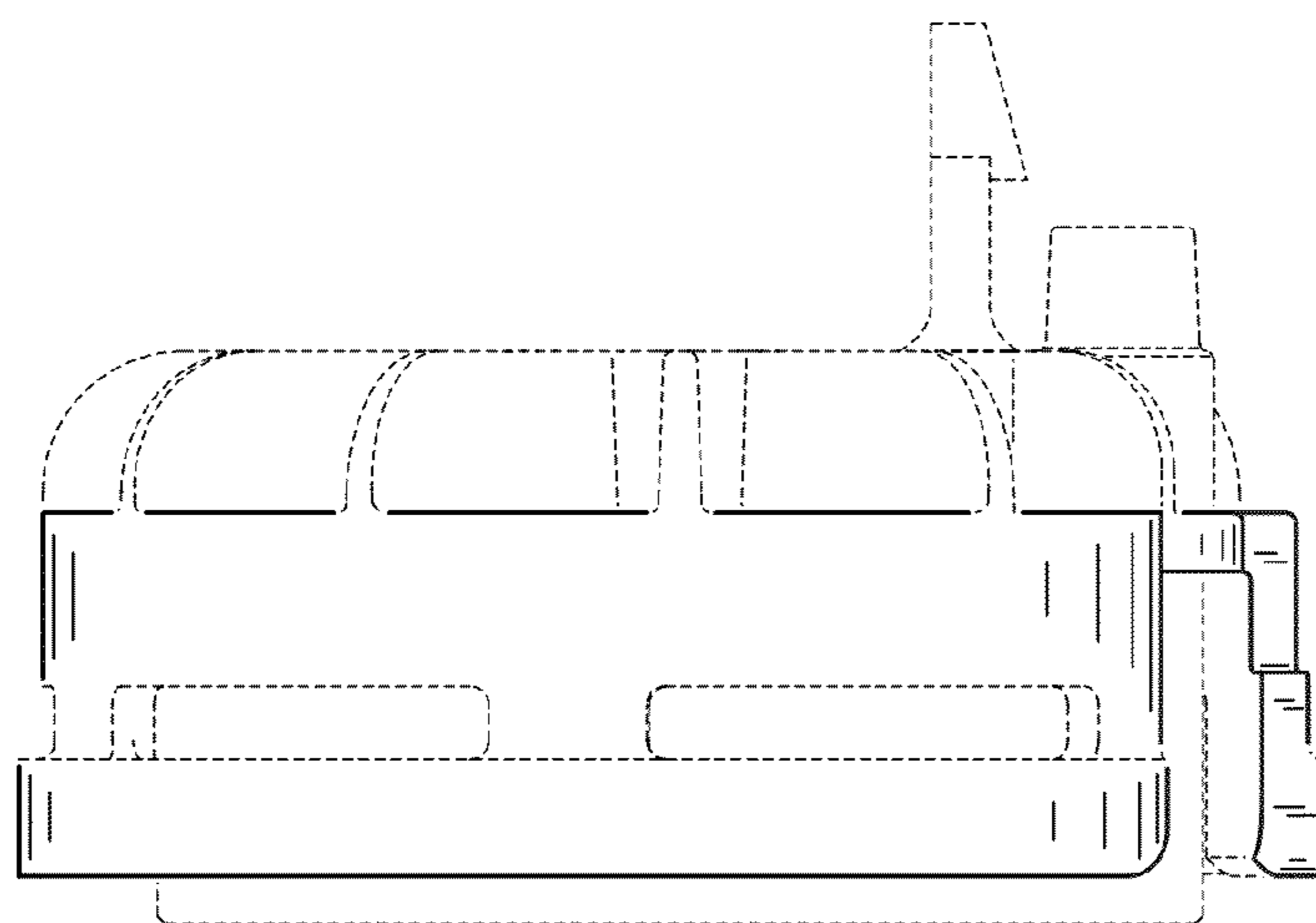


FIG. 5

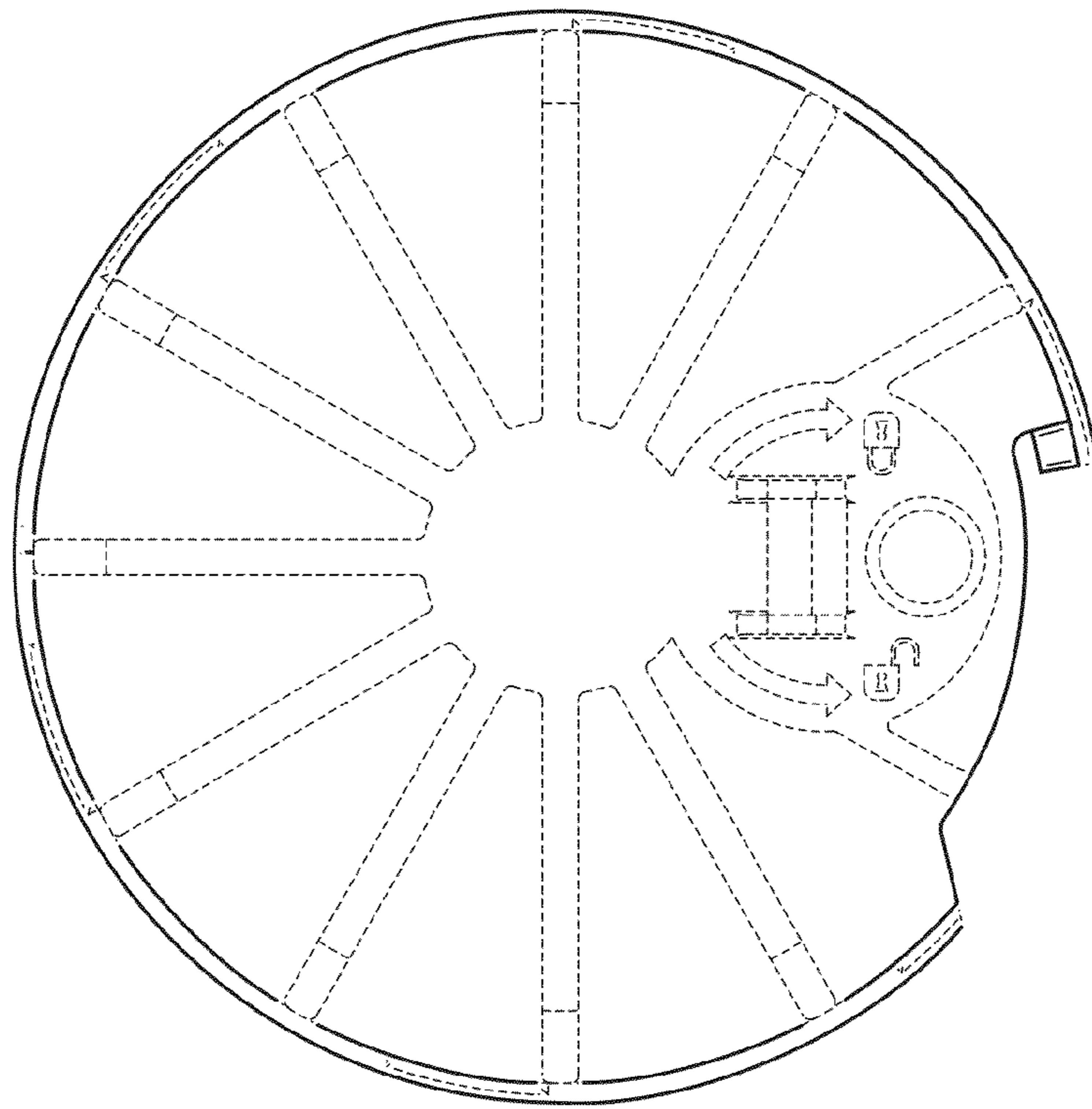


FIG. 6

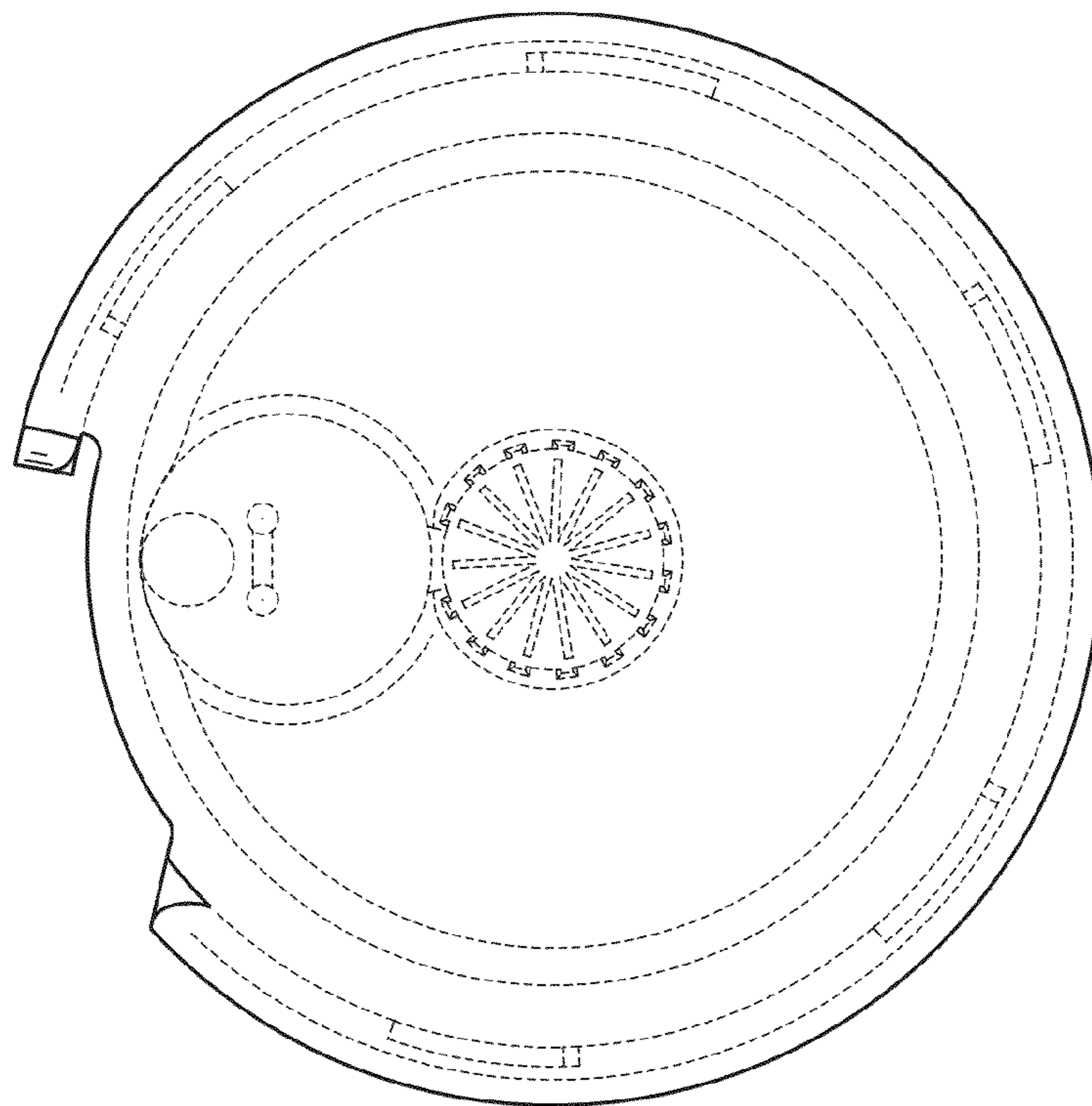


FIG. 7