



US00D716140S

(12) **United States Design Patent**
Kim et al.

(10) **Patent No.:** **US D716,140 S**
(45) **Date of Patent:** **** Oct. 28, 2014**

(54) **PACKAGING**

(75) Inventors: **Tong-Kuk Thomas Kim**, Collierville, TN (US); **William Stephen Arnold**, New Hope, PA (US)

(73) Assignee: **MSD Consumer Care, Inc.**, Memphis, TN (US)

(**) Term: **14 Years**

(21) Appl. No.: **29/432,310**

(22) Filed: **Sep. 14, 2012**

(51) **LOC (10) Cl.** **09-03**

(52) **U.S. Cl.**
USPC **D9/430**

(58) **Field of Classification Search**

CPC B29L 2031/7162; B29L 2031/7164;
B29L 2031/7166; B65D 1/22; B65D 1/34;
B65D 43/162; B65D 81/02; B65D 81/3813;
B65D 5/00; B65D 5/001; B65D 5/0025;
B65D 5/005; B65D 5/067-5/069; B65D 5/64;
B65D 5/72; B65D 21/00
USPC D9/415-419, 420-425, 428, 429-435,
D9/708, 719, 734; D3/203.2, 272, 273,
D3/294, 302-304; D7/538-542, 601, 602,
D7/629; 220/780-806, 574-575;
206/521.1, 541, 564; 229/100-101.3,
229/106, 108-112, 124, 125, 162.1, 165,
229/172, 182.1, 183, 185, 200, 210, 221,
229/406, 407

See application file for complete search history.

(56) **References Cited**

U.S. PATENT DOCUMENTS

D182,383 S * 3/1958 Samsing D9/414
D194,246 S * 12/1962 Engelmann D9/420
D394,385 S * 5/1998 Laughlin D9/431

(Continued)

Primary Examiner — Susan Bennett Hattan

Assistant Examiner — Vy Koenig

(74) *Attorney, Agent, or Firm* — Dianne Pecoraro; Catherine D. Fitch

(57) **CLAIM**

The ornamental design for a packaging, as shown and described.

DESCRIPTION

A portion of the disclosure of this patent document contains material which may be protected by copyright. The copyright owner has no objection to the facsimile reproduction by any one of the patent document or the patent disclosure, as it appears in the Patent and Trademark Office patent file or records, but reserves all other copyright rights whatsoever.

FIG. 1 is a perspective view of a first embodiment of a packaging;

FIG. 2 is a top plan view thereof;

FIG. 3 is a bottom plan view thereof;

FIG. 4 is a right side elevational view thereof;

FIG. 5 is a left side elevational view thereof;

FIG. 6 is a front elevational view thereof; and,

FIG. 7 is a rear elevational view thereof;

FIG. 8 is a perspective view of a second embodiment of a packaging;

FIG. 9 is a top plan view thereof;

FIG. 10 is a bottom plan view thereof;

FIG. 11 is a right side elevational view thereof;

FIG. 12 is a left side elevational view thereof;

FIG. 13 is a front elevational view thereof; and,

FIG. 14 is a rear elevational view thereof;

FIG. 15 is a perspective view of a third embodiment of a packaging;

FIG. 16 is a top plan view thereof;

FIG. 17 is a bottom plan view thereof;

FIG. 18 is a right side elevational view thereof;

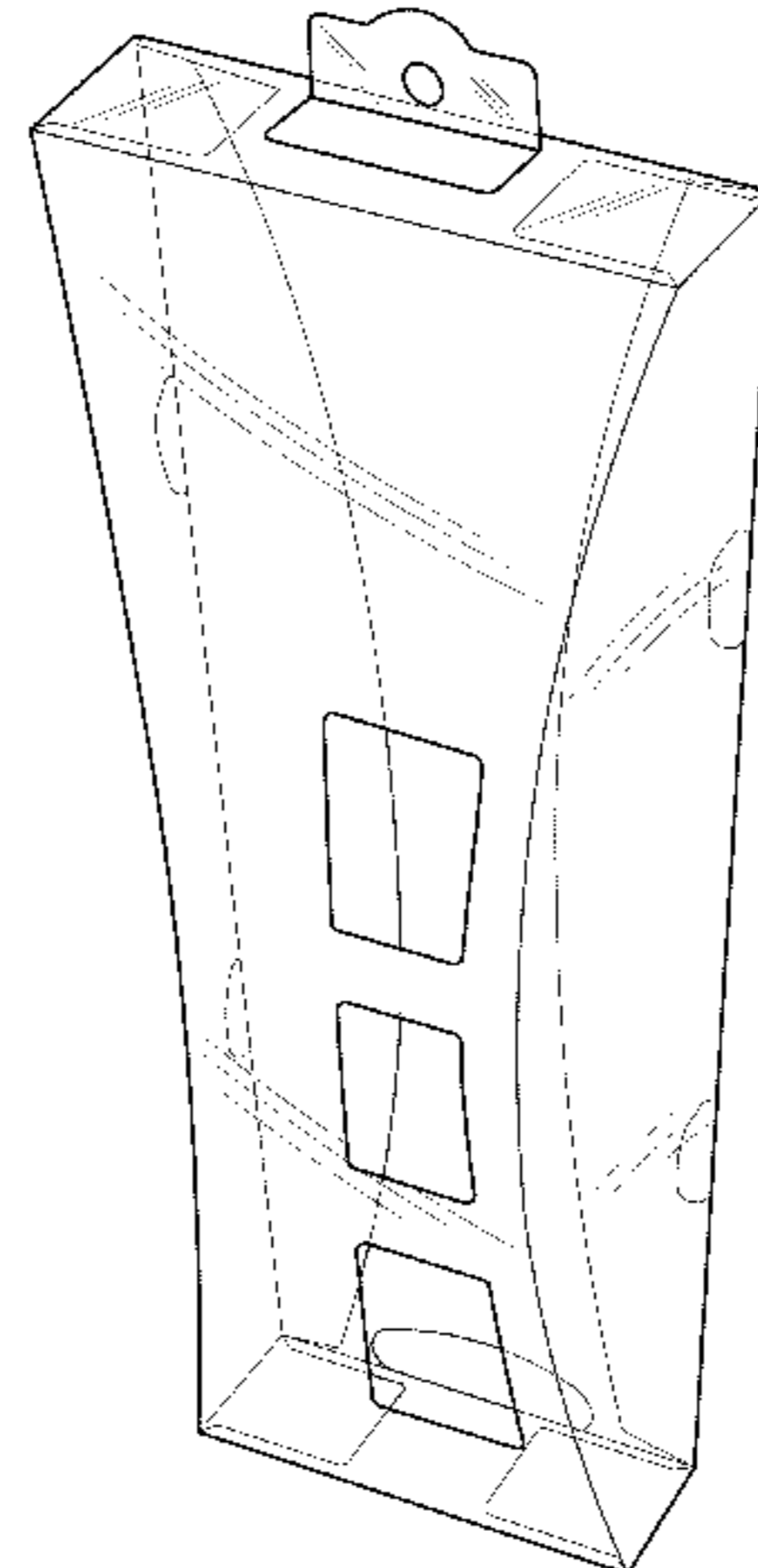
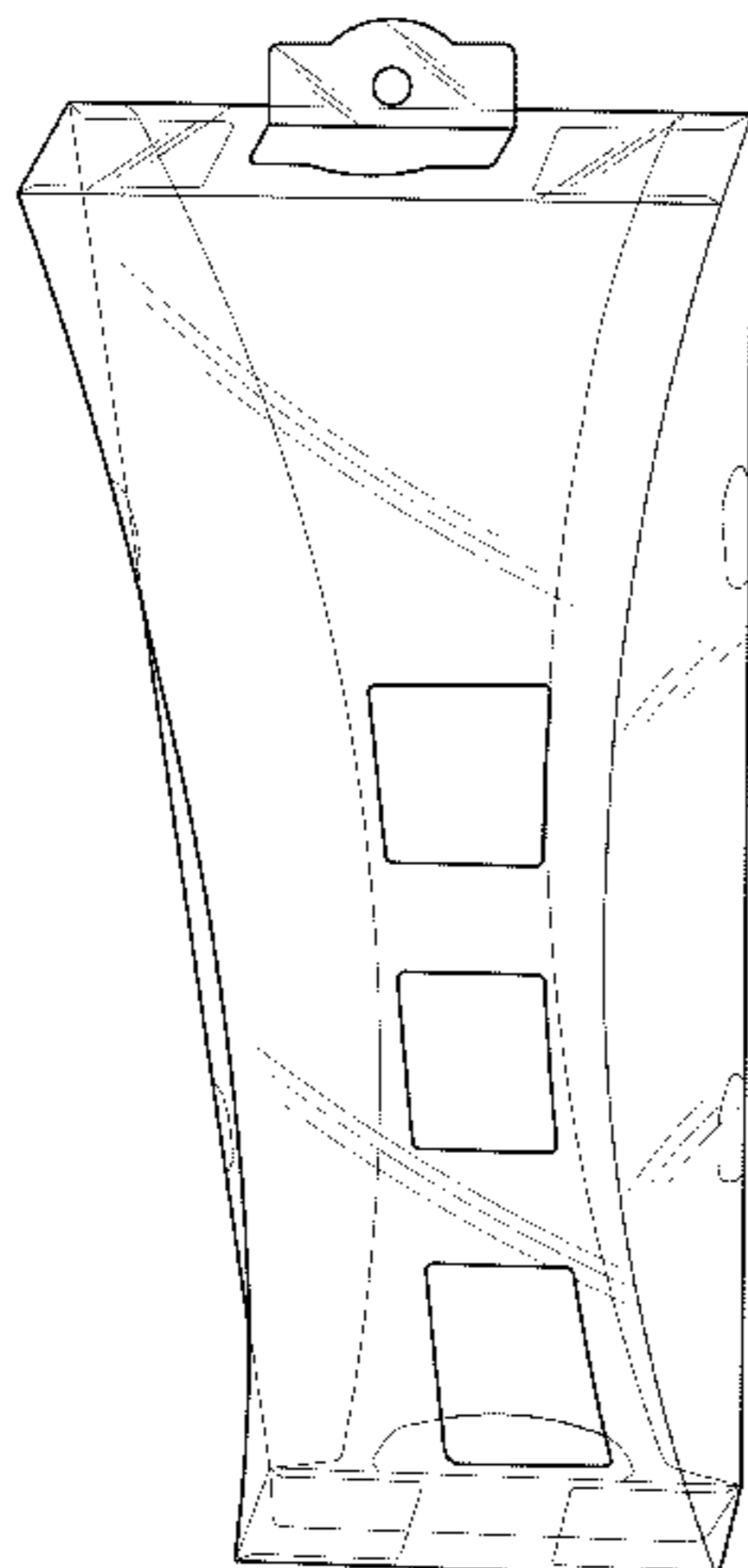
FIG. 19 is a left side elevational view thereof;

FIG. 20 is a front elevational view thereof; and,

FIG. 21 is a rear elevational view thereof.

The broken lines shown in the drawings depict environmental features that form no part of the claimed design.

1 Claim, 18 Drawing Sheets



US D716,140 S

Page 2

(56)

References Cited

U.S. PATENT DOCUMENTS

D460,355 S * 7/2002 Lenz et al. D9/431
D468,638 S * 1/2003 Nogami et al. D9/430
D519,832 S * 5/2006 Demathieu et al. D9/430

D548,591 S * 8/2007 Learn et al. D9/432
D576,031 S * 9/2008 Bone et al. D9/418
D598,745 S * 8/2009 Bohache et al. D9/430
D625,993 S * 10/2010 Tyson et al. D9/420
D697,789 S * 1/2014 Gerdes et al. D9/417

* cited by examiner

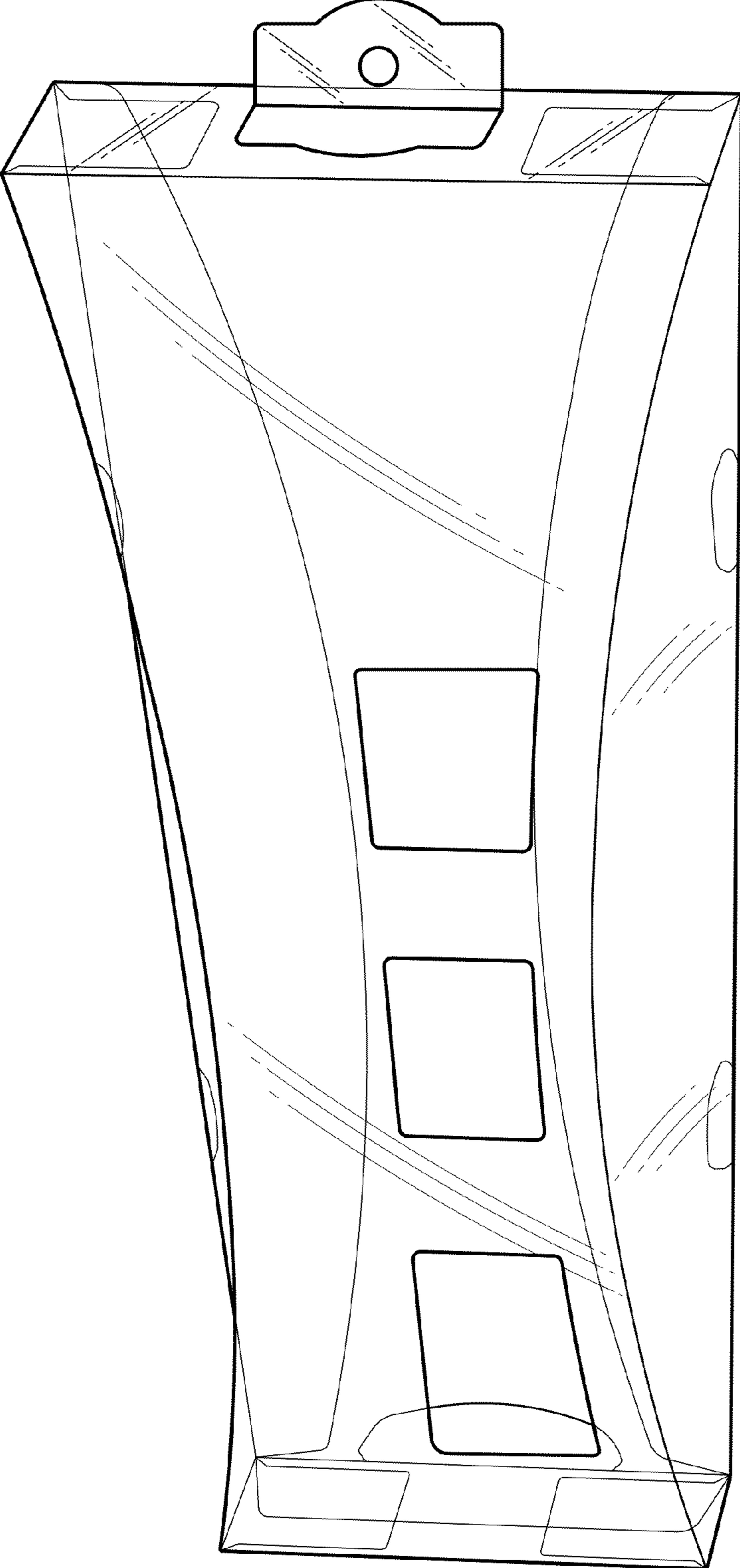


FIG. 1

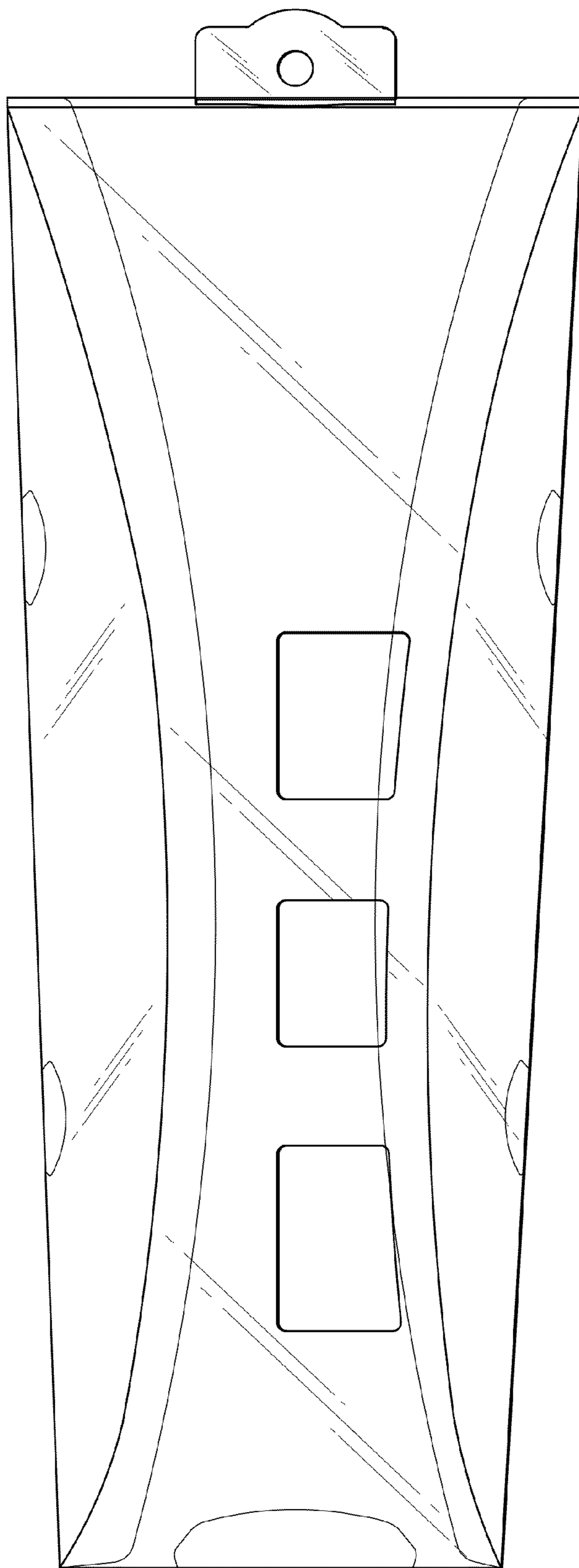


FIG. 2

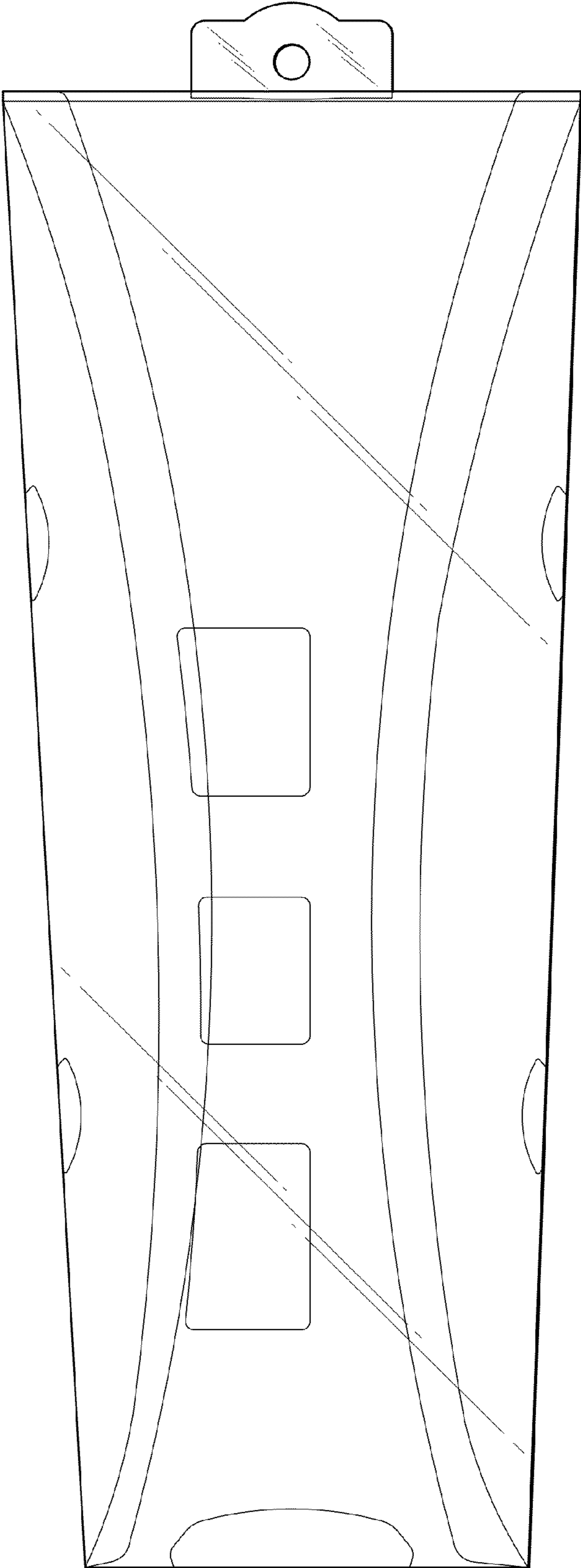


FIG. 3

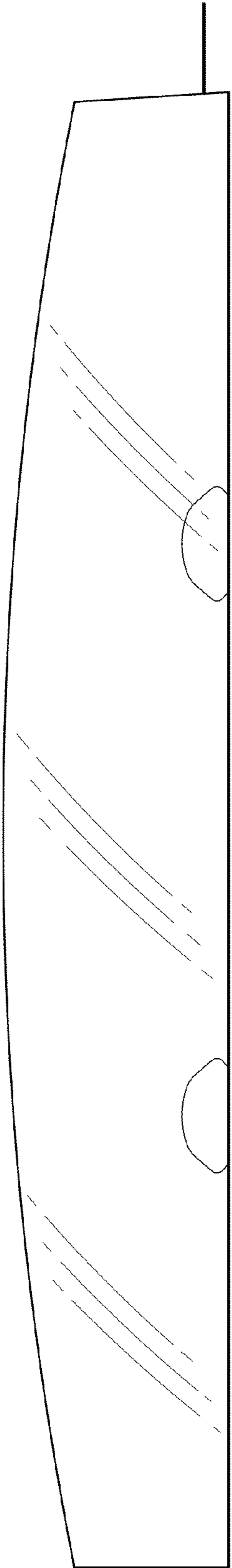


FIG. 4

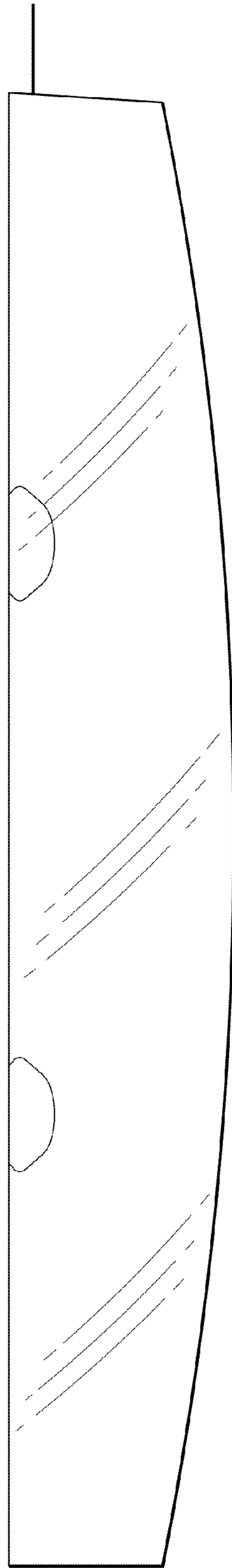


FIG. 5

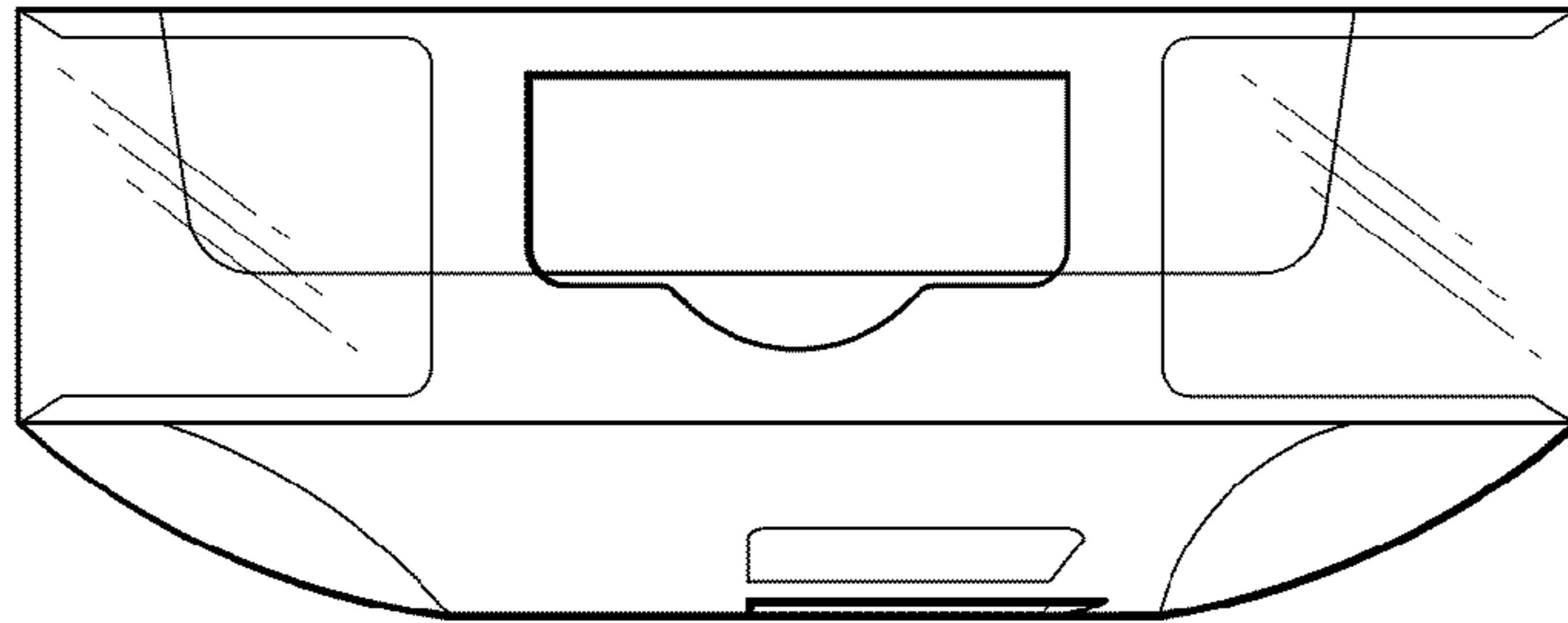


FIG. 6

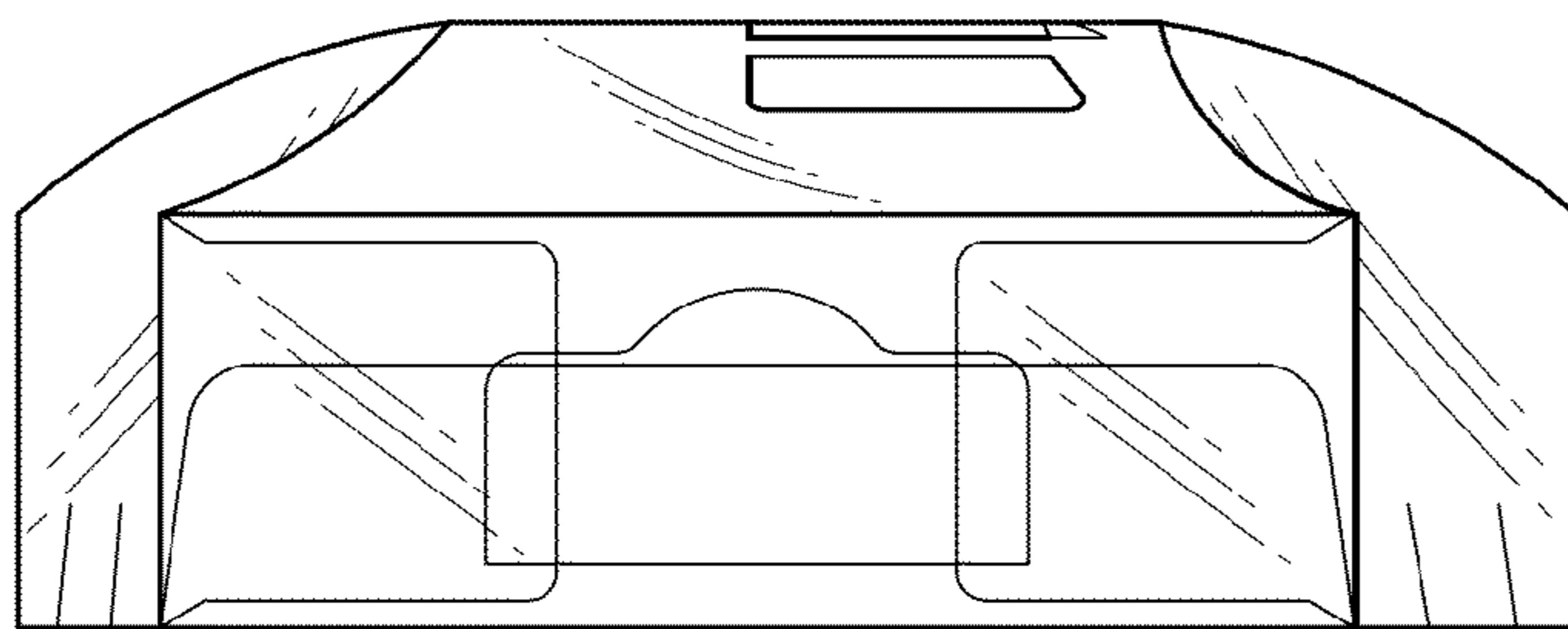


FIG. 7

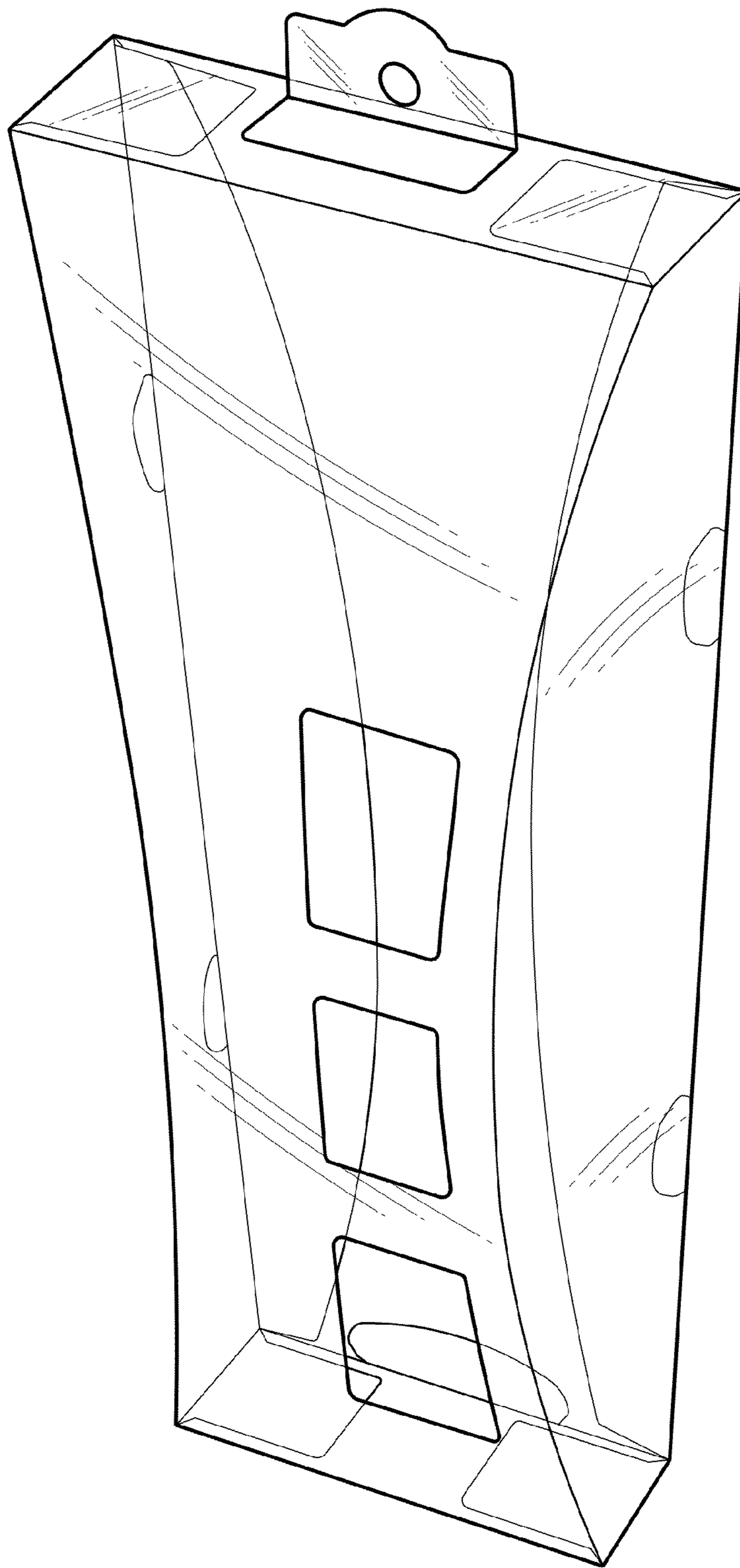


FIG. 8

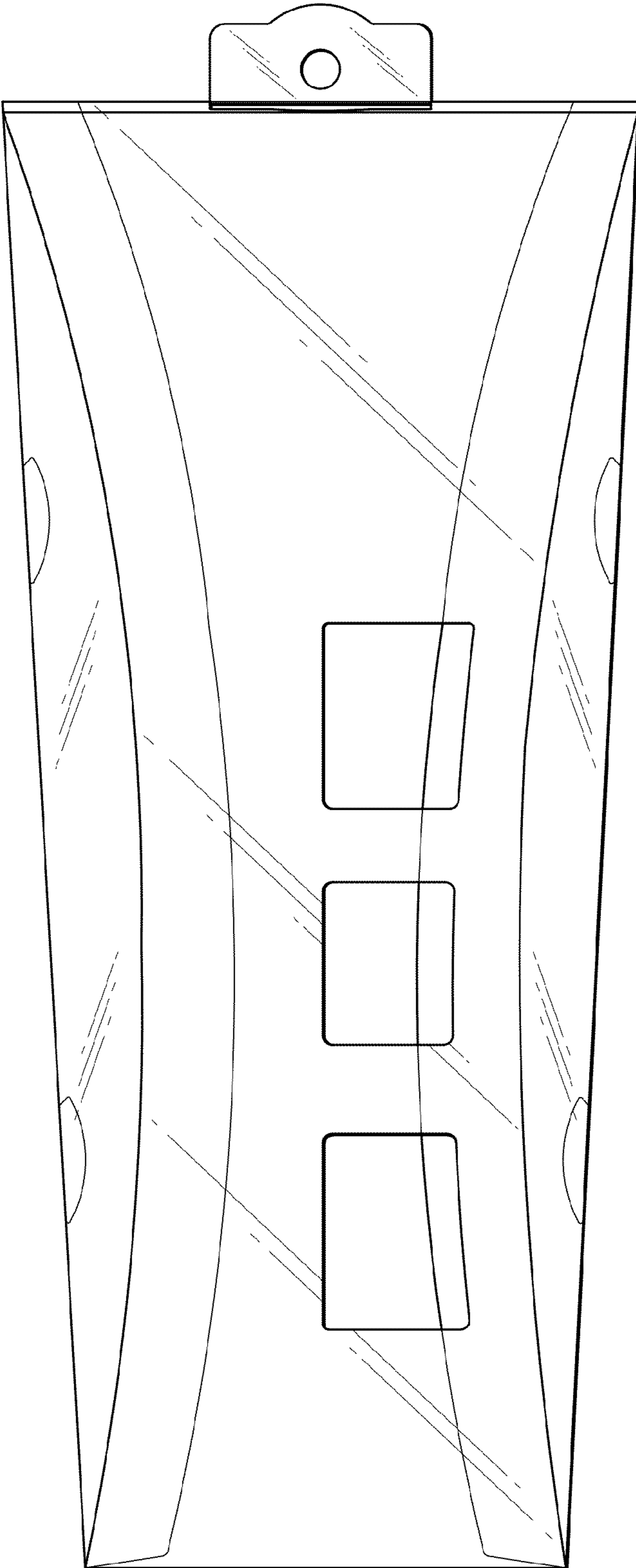


FIG. 9

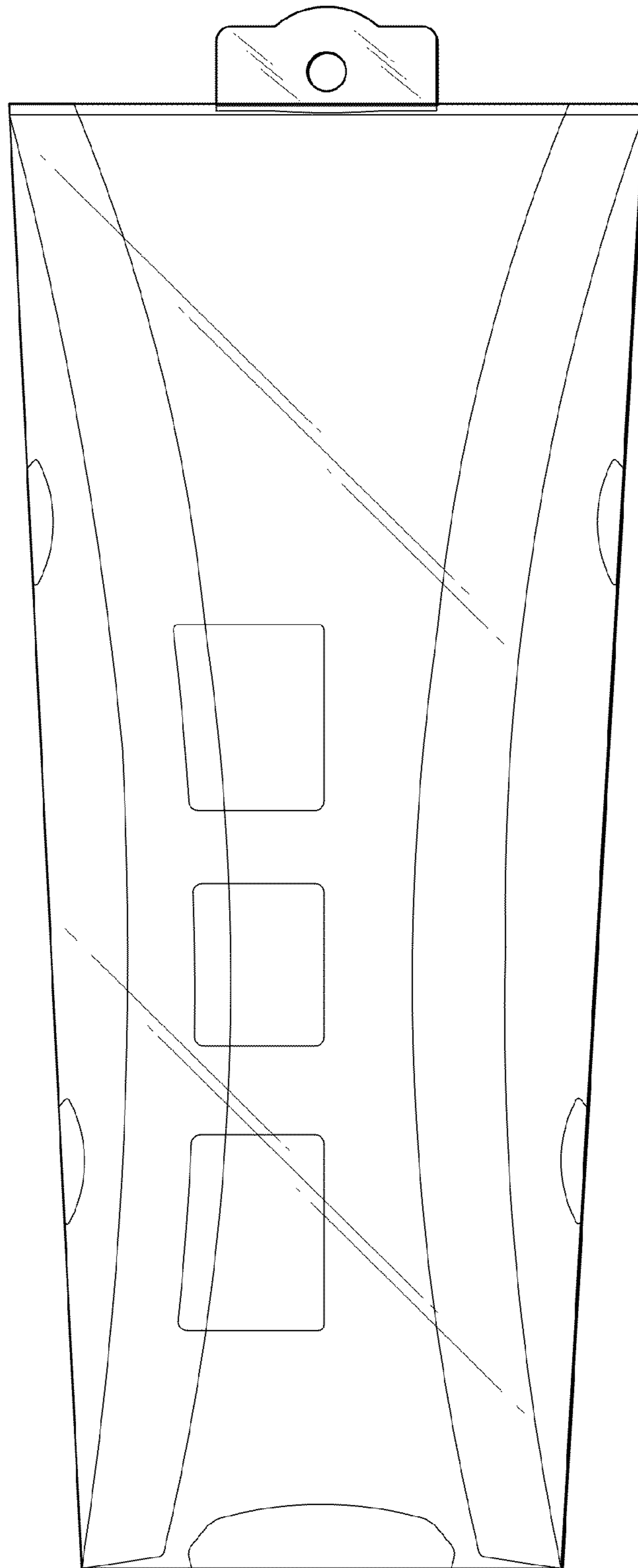


FIG. 10

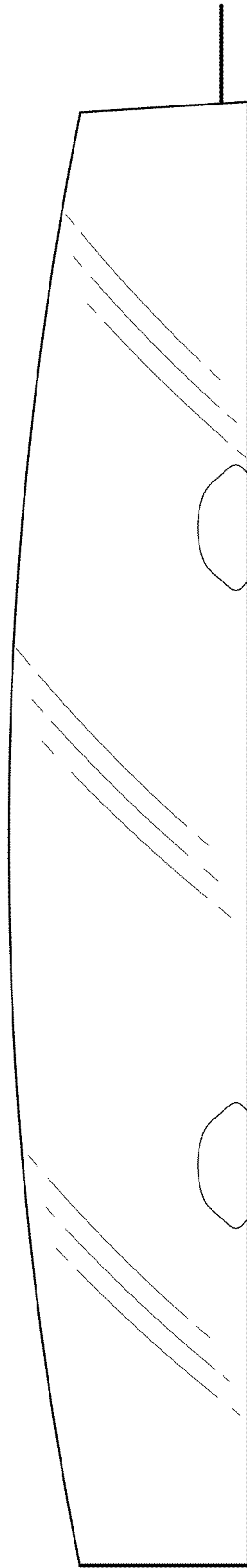


FIG. 11

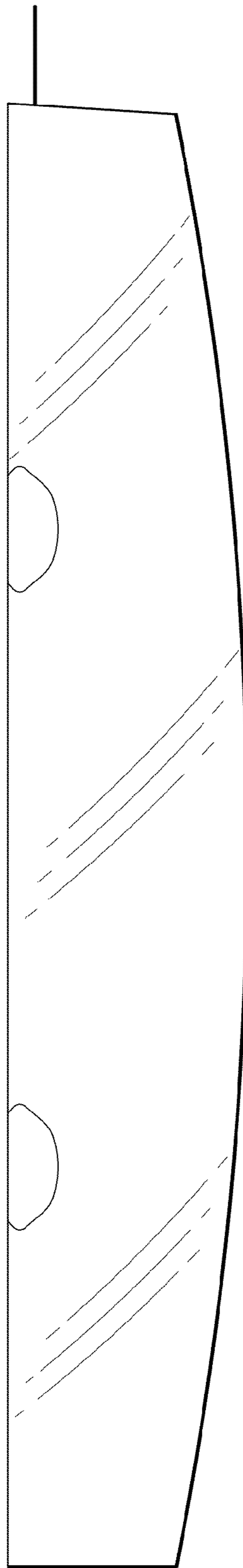


FIG. 12

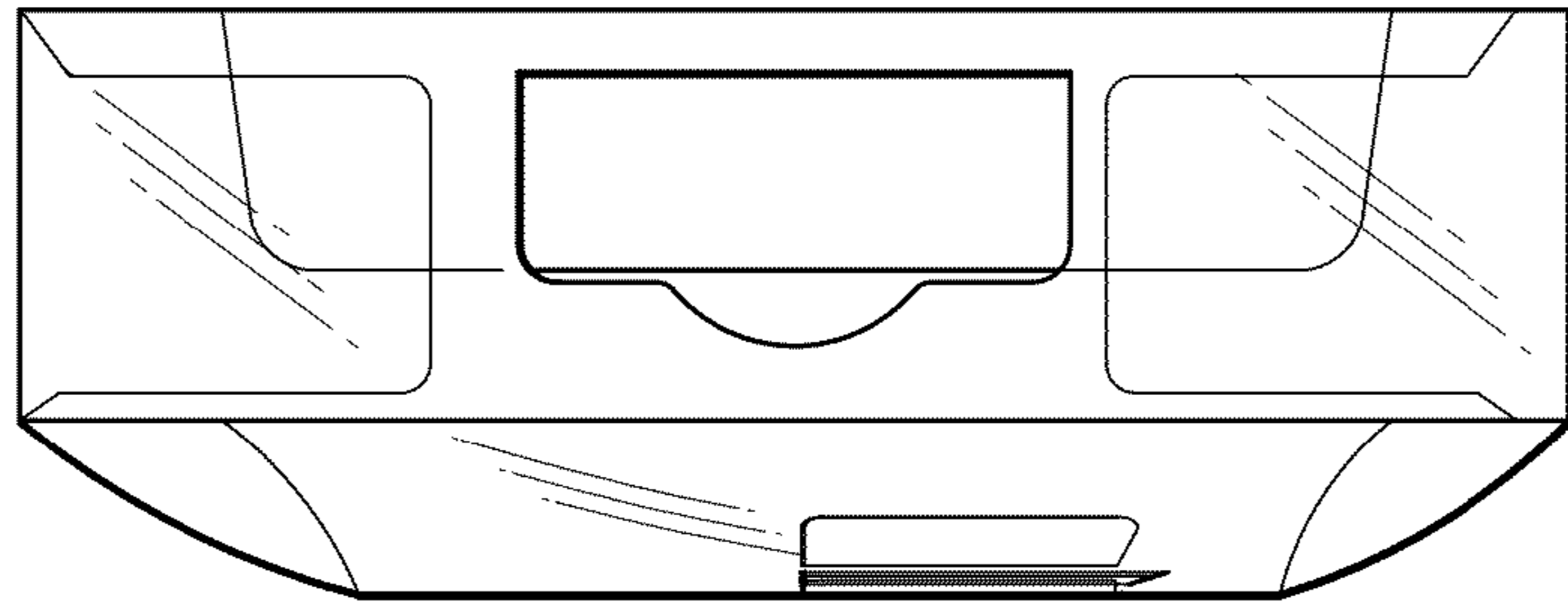


FIG. 13

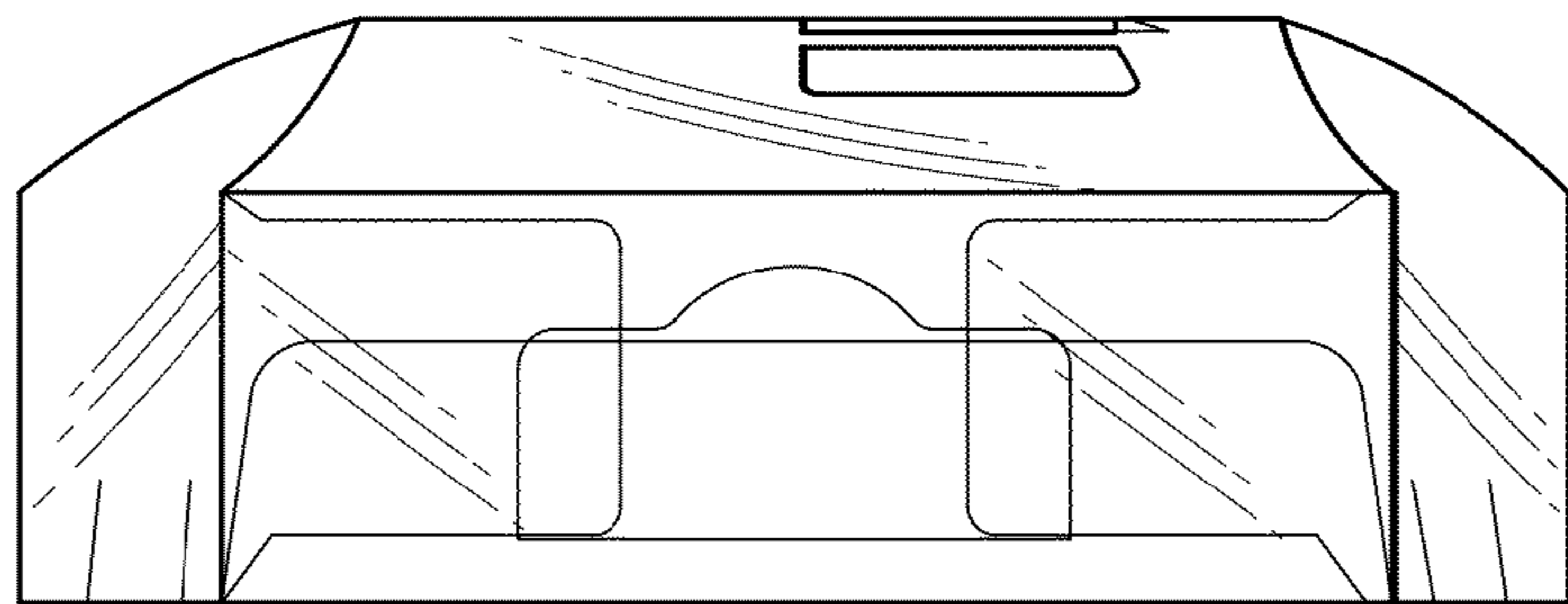


FIG. 14

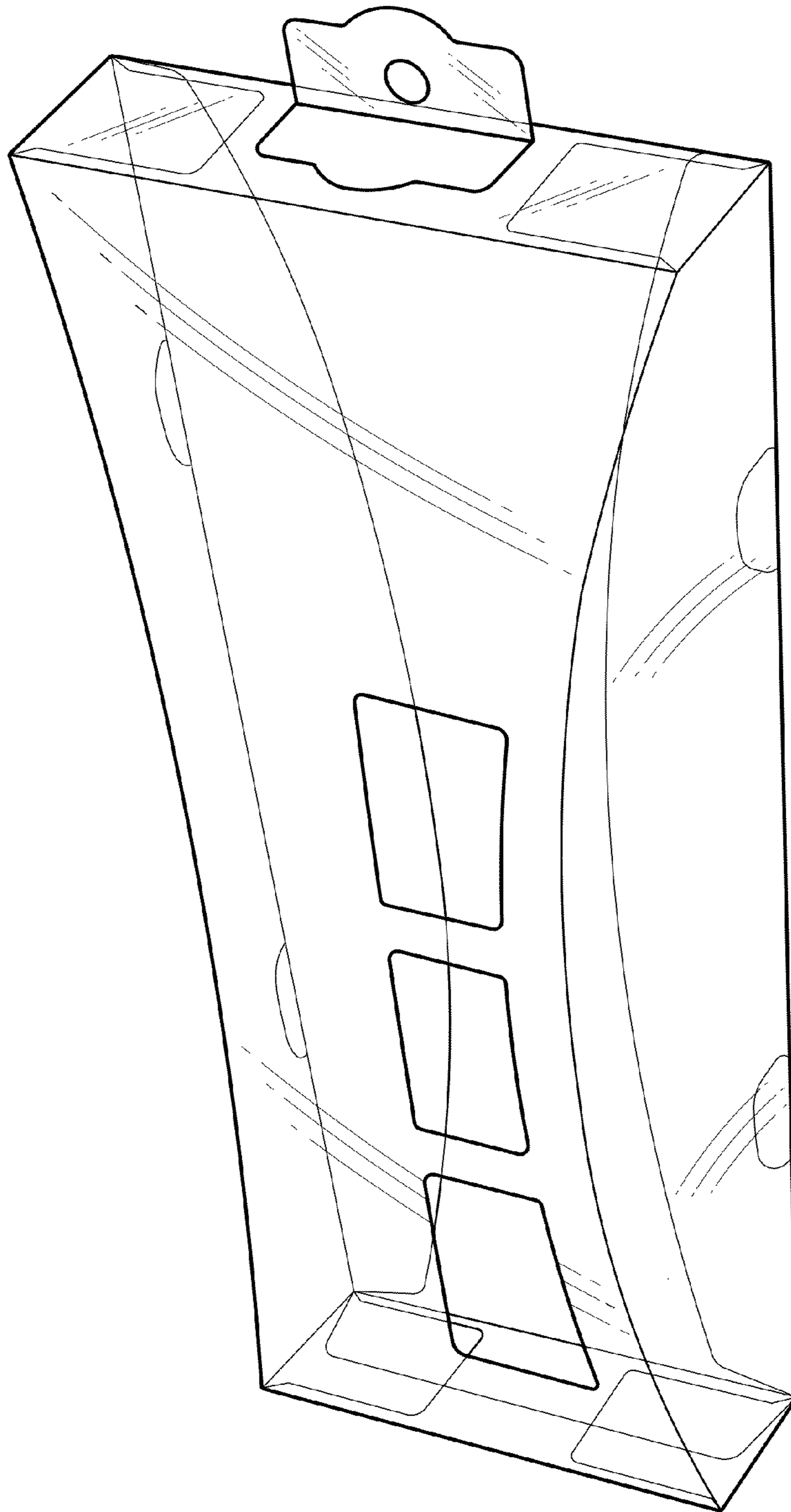


FIG. 15

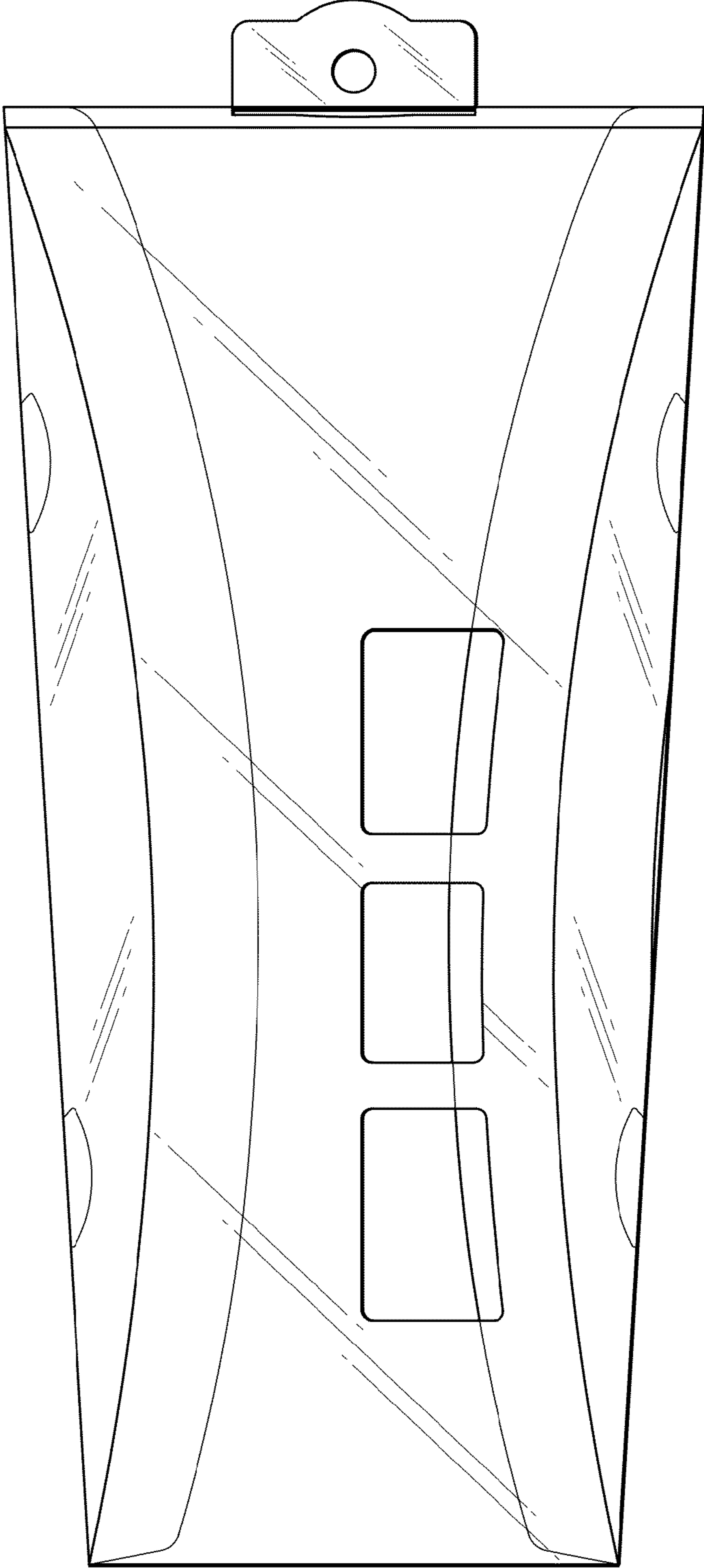


FIG. 16

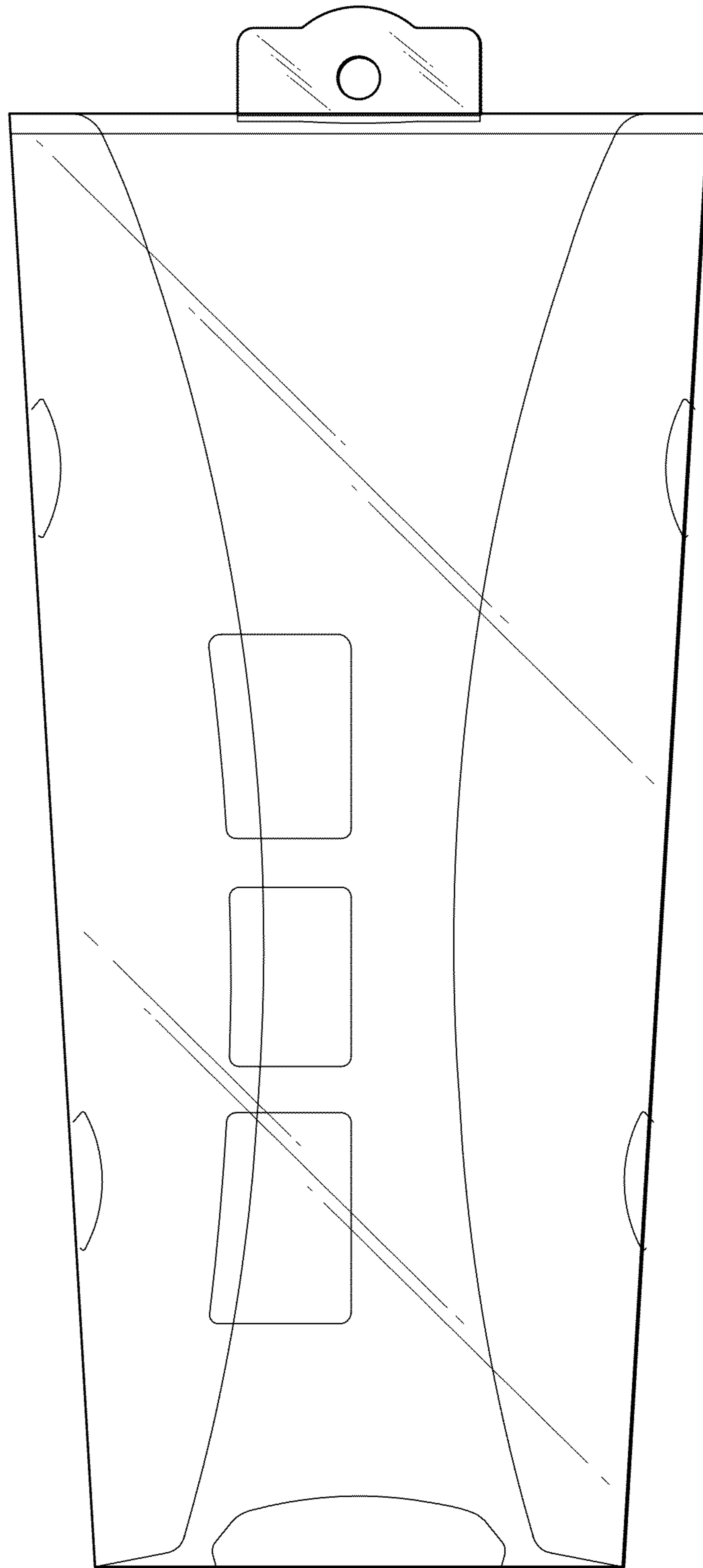


FIG. 17

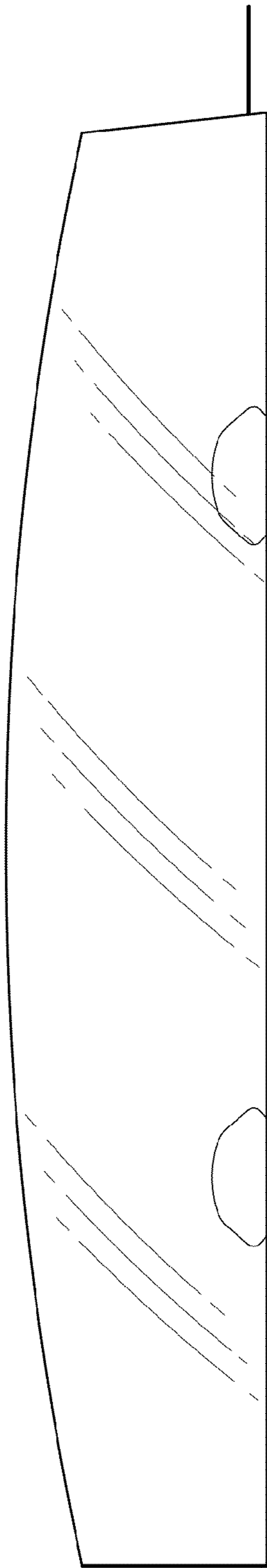


FIG. 18

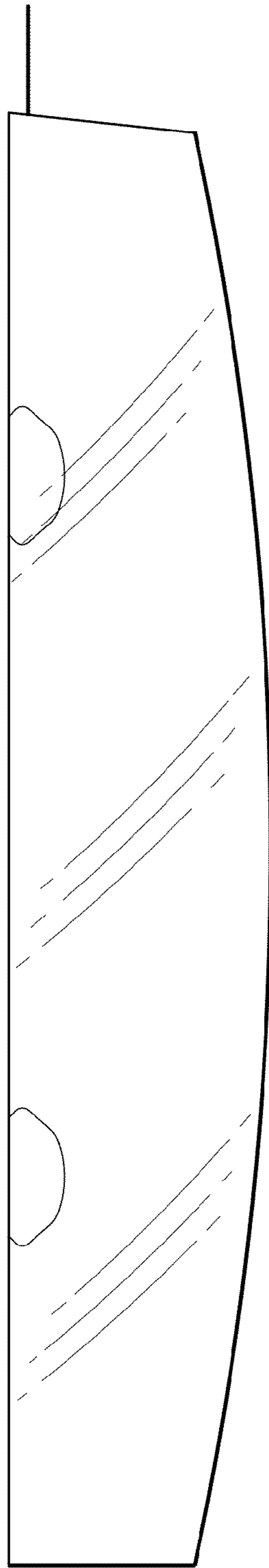


FIG. 19

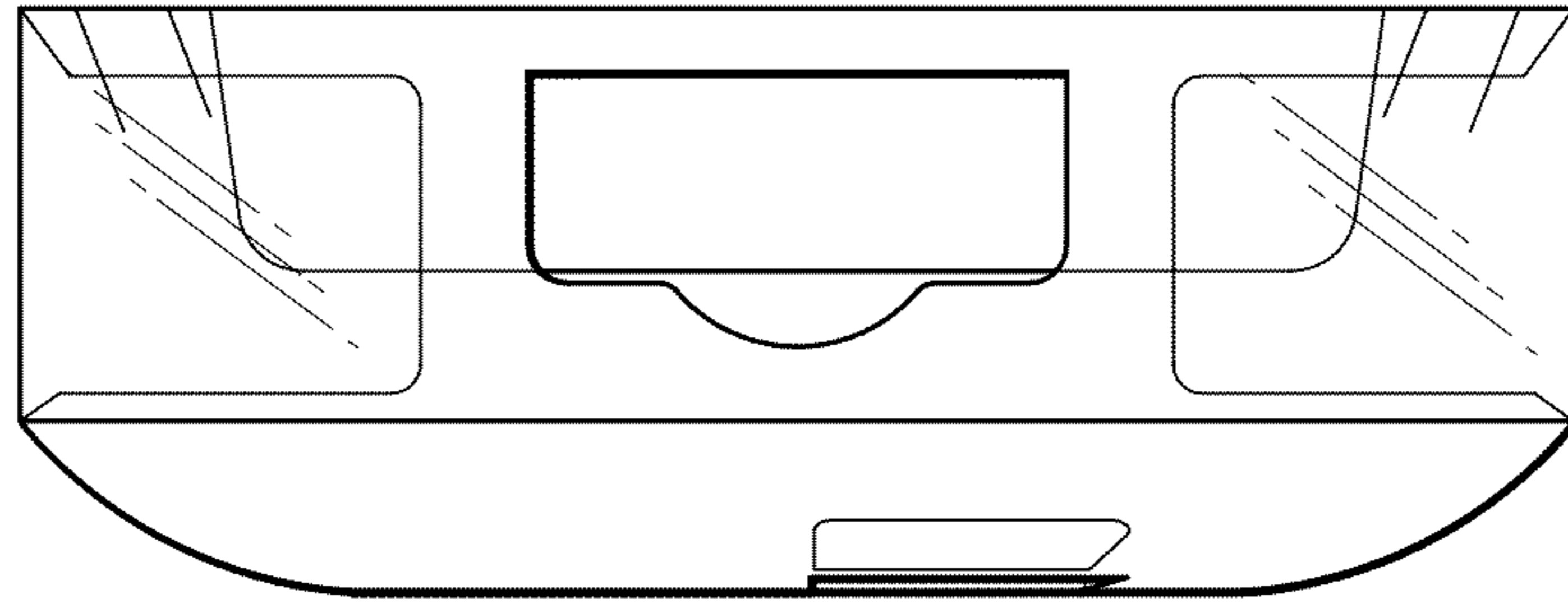


FIG. 20

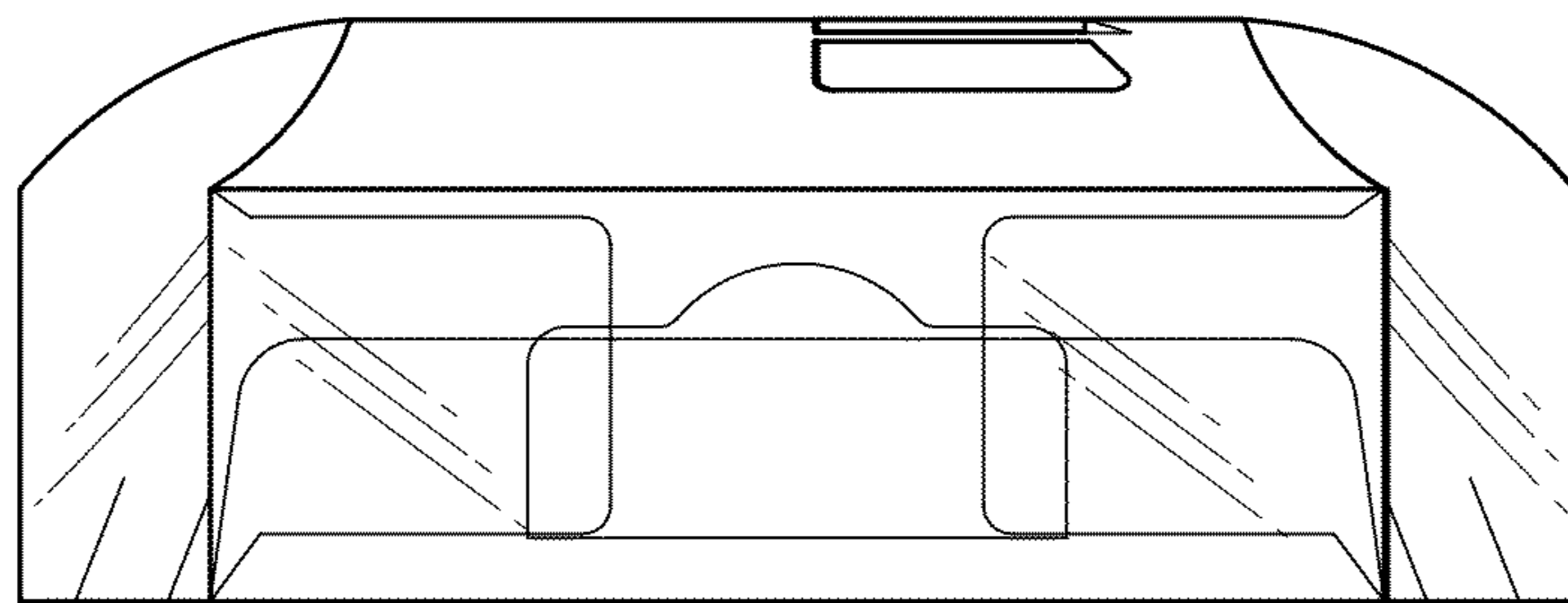


FIG. 21