



US00D716137S

(12) **United States Design Patent**
Szymanski

(10) **Patent No.:** **US D716,137 S**
(45) **Date of Patent:** **** Oct. 28, 2014**

(54) **CLIP DEVICE**

(71) Applicant: **Aaron Szymanski**, Thomaston, CT (US)

(72) Inventor: **Aaron Szymanski**, Thomaston, CT (US)

(73) Assignee: **IdeaVillage Products, Corp.**, Wayne, NJ (US)

(**) Term: **14 Years**

(21) Appl. No.: **29/474,024**

(22) Filed: **May 5, 2014**

(51) **LOC (10) Cl.** **08-08**

(52) **U.S. Cl.**
USPC **D8/395**

(58) **Field of Classification Search**
USPC D8/354, 356, 371, 394-396; D19/65,
D19/86; D24/128; 248/74.2, 215, 227.1, 49,
248/300, 301, 316.7, 51, 489; 24/570, 3.12;
D32/61; D11/78.1; D3/215
See application file for complete search history.

(56) **References Cited**

U.S. PATENT DOCUMENTS

| | | | | | | | |
|-----------|---|---|---------|-------------|-------|----------|---|
| 881,757 | A | * | 3/1908 | Winsor | | 24/10 | A |
| 1,372,959 | A | * | 3/1921 | Klenck | | 24/10 | A |
| D156,659 | S | * | 12/1949 | Reed | | D8/395 | |
| 2,566,837 | A | * | 9/1951 | Huelsmeyer | | 40/658 | |
| 4,619,020 | A | * | 10/1986 | Lecher, Sr. | | 24/10 | A |
| D352,963 | S | * | 11/1994 | Siler | | D19/83 | |
| D363,453 | S | * | 10/1995 | Herdt | | D11/78.1 | |
| D478,630 | S | * | 8/2003 | Riggins | | D19/83 | |
| D523,330 | S | * | 6/2006 | Mattesky | | D8/395 | |
| D531,891 | S | * | 11/2006 | Nawrocki | | D8/395 | |
| D536,735 | S | * | 2/2007 | Johnson | | D19/81 | |
| D537,329 | S | * | 2/2007 | Blanton | | D8/395 | |
| D538,147 | S | * | 3/2007 | James | | D8/395 | |
| D539,291 | S | * | 3/2007 | Li et al. | | D14/447 | |

| | | | | | | | |
|--------------|----|---|---------|-------------------|-------|----------|--|
| D555,896 | S | * | 11/2007 | Ward-Llewellyn | | D3/215 | |
| D561,574 | S | * | 2/2008 | Lown et al. | | D8/395 | |
| D579,807 | S | * | 11/2008 | Richardson | | D10/74 | |
| D581,311 | S | * | 11/2008 | Cornett | | D11/78.1 | |
| D597,827 | S | * | 8/2009 | Brassard | | D8/395 | |
| D613,796 | S | * | 4/2010 | Kim | | D19/86 | |
| D618,671 | S | * | 6/2010 | Hou | | D14/223 | |
| D619,451 | S | * | 7/2010 | Carlesso | | D8/395 | |
| D628,615 | S | * | 12/2010 | Siegel et al. | | D16/242 | |
| D631,737 | S | * | 2/2011 | Haas | | D8/395 | |
| D636,293 | S | * | 4/2011 | Dolce et al. | | D11/222 | |
| D644,504 | S | * | 9/2011 | Rieder | | D8/395 | |
| D670,903 | S | * | 11/2012 | Ormsbee | | D3/215 | |
| D674,274 | S | * | 1/2013 | Gasparino | | D8/395 | |
| D686,910 | S | * | 7/2013 | Towell, Jr. | | D8/395 | |
| D688,586 | S | * | 8/2013 | Diehl | | D11/78.1 | |
| D704,542 | S | * | 5/2014 | Sudell | | D8/395 | |
| D705,647 | S | * | 5/2014 | Frydlewski et al. | | D8/395 | |
| D708,284 | S | * | 7/2014 | Litwin | | D21/789 | |
| D710,741 | S | * | 8/2014 | Hirschorn | | D11/78.1 | |
| D711,284 | S | * | 8/2014 | Crumbley | | D11/215 | |
| 2010/0254123 | A1 | * | 10/2010 | Brown | | 362/191 | |

* cited by examiner

Primary Examiner — John Windmuller

(74) *Attorney, Agent, or Firm* — Dan DeLaRosa

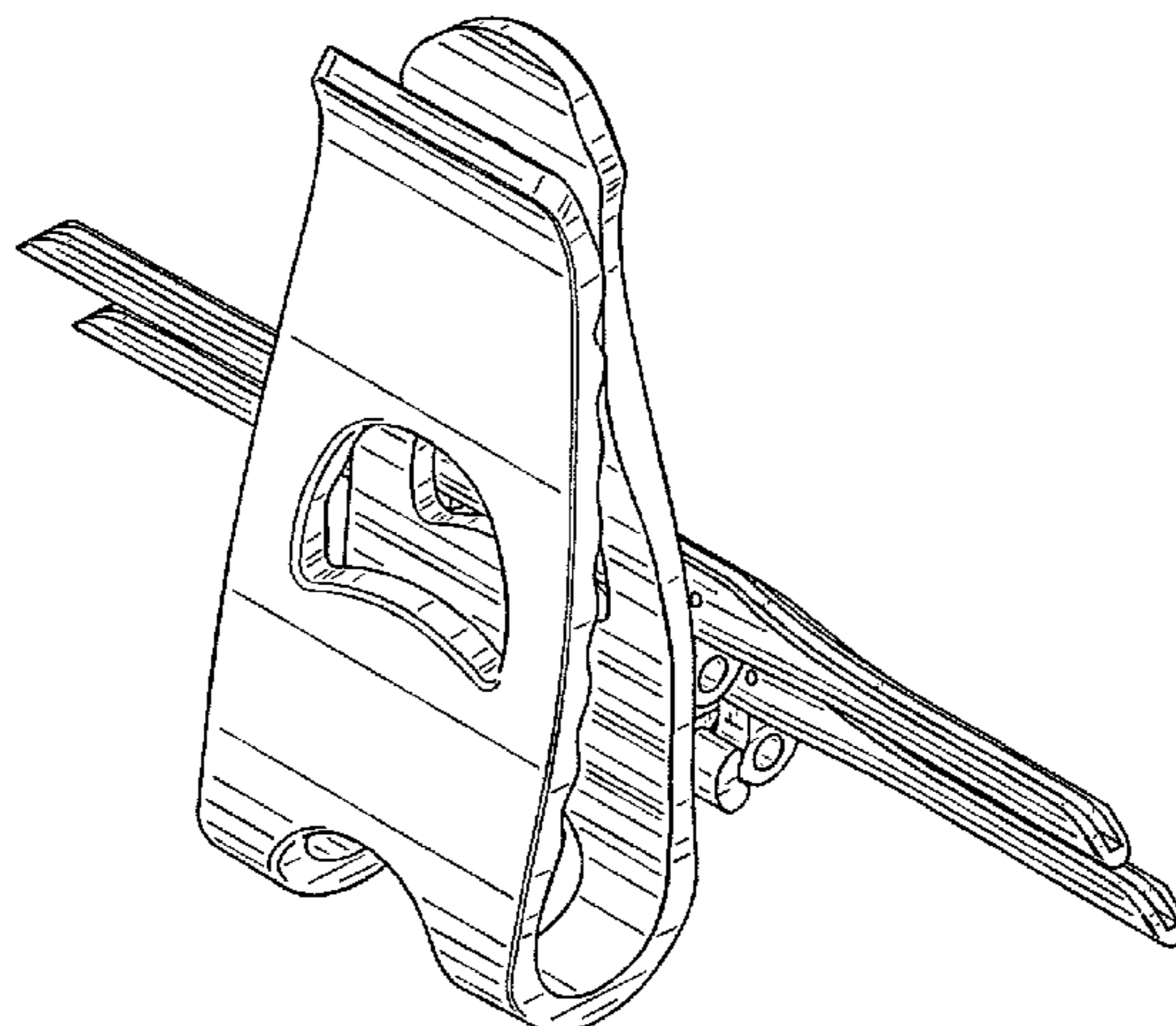
(57) **CLAIM**

The ornamental design for a clip device, as shown and described.

DESCRIPTION

FIG. 1 is a front perspective view of the clip device of the present invention showing my new design; FIG. 2 is a front side elevation view thereof; FIG. 3 is a back side elevation view thereof; FIG. 4 is a side elevation view thereof; FIG. 5 is another side elevation view thereof; FIG. 6 is a top plan view thereof; and, FIG. 7 is a bottom plan view thereof.

1 Claim, 6 Drawing Sheets



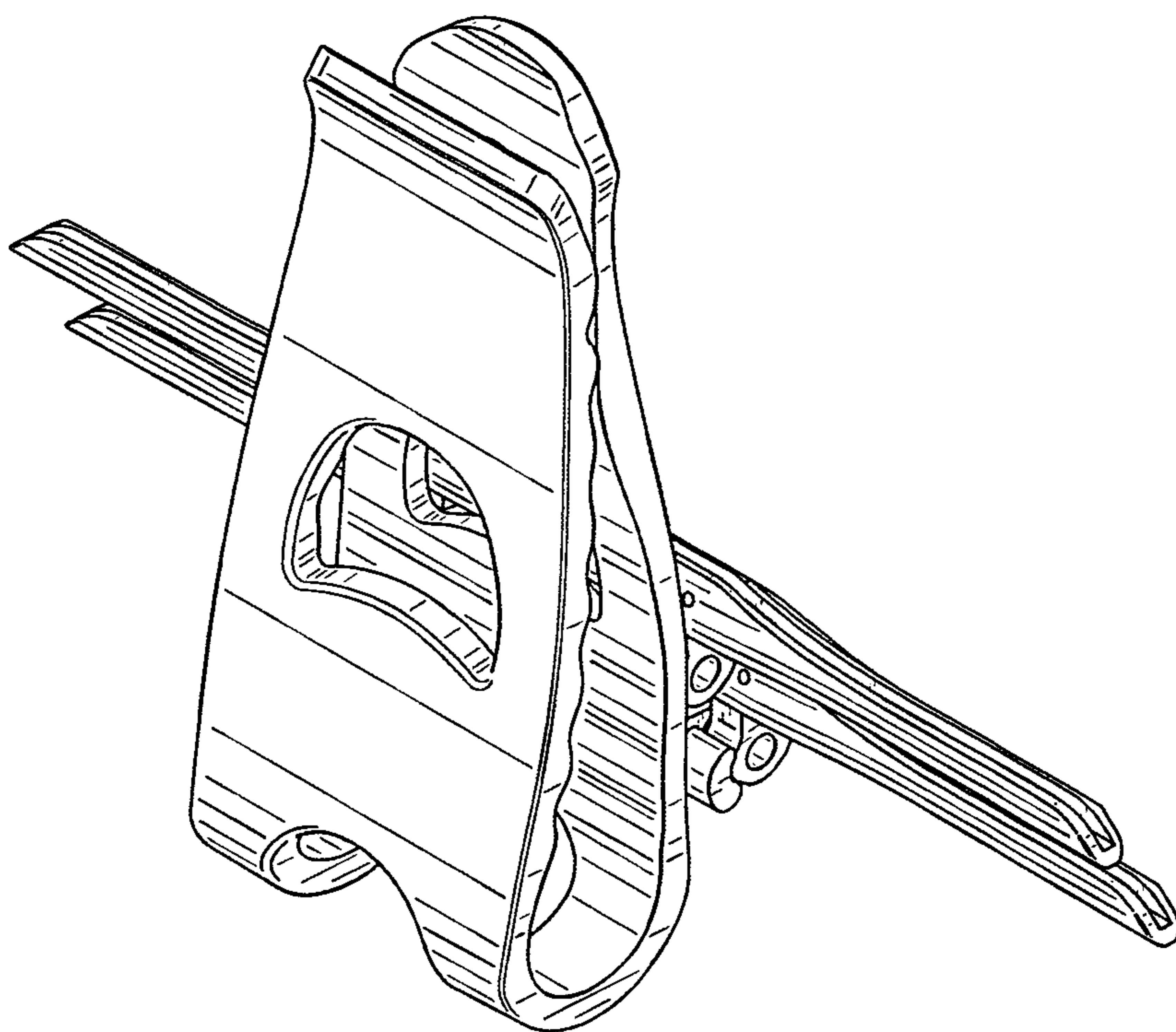


FIG. 1

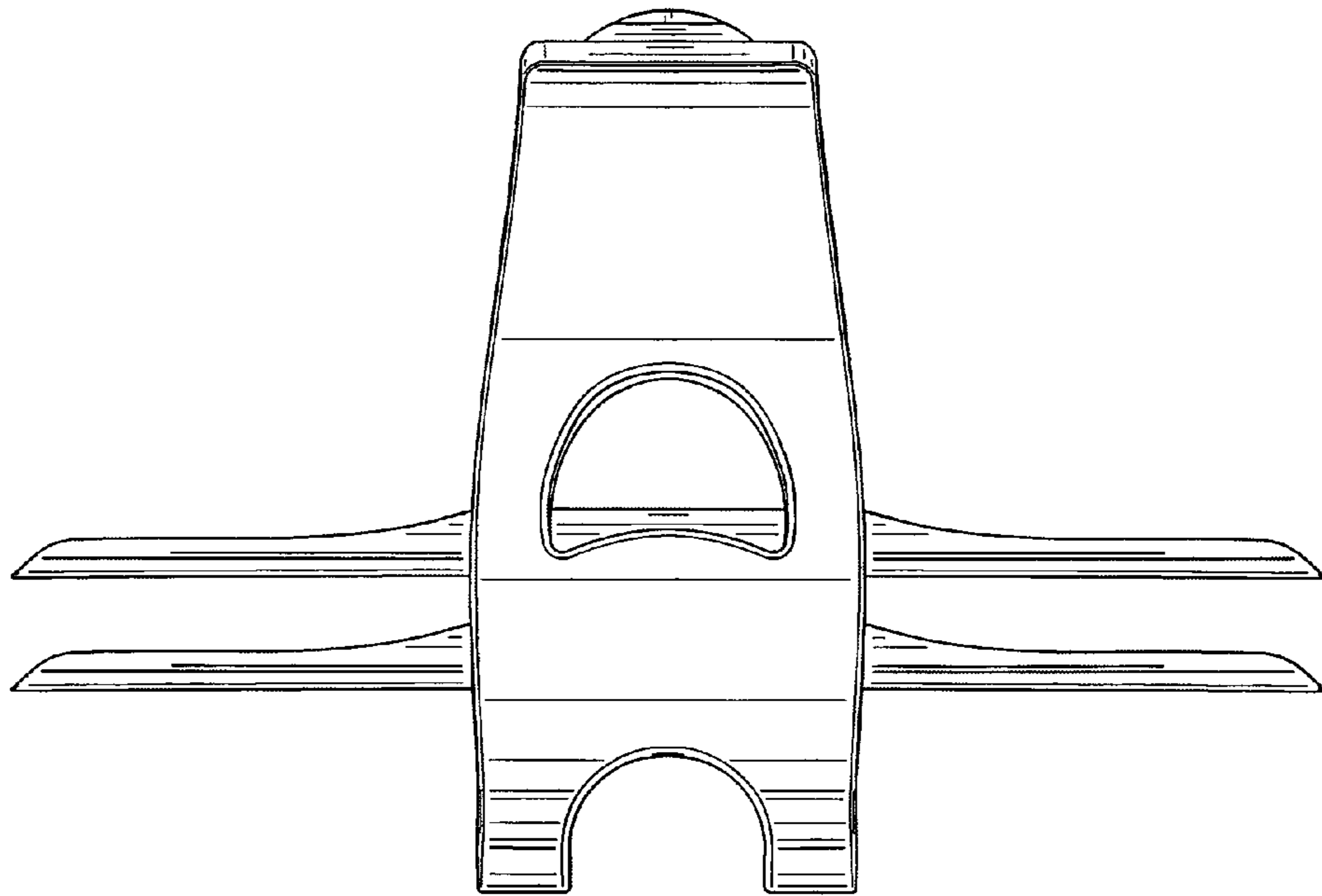


FIG. 2

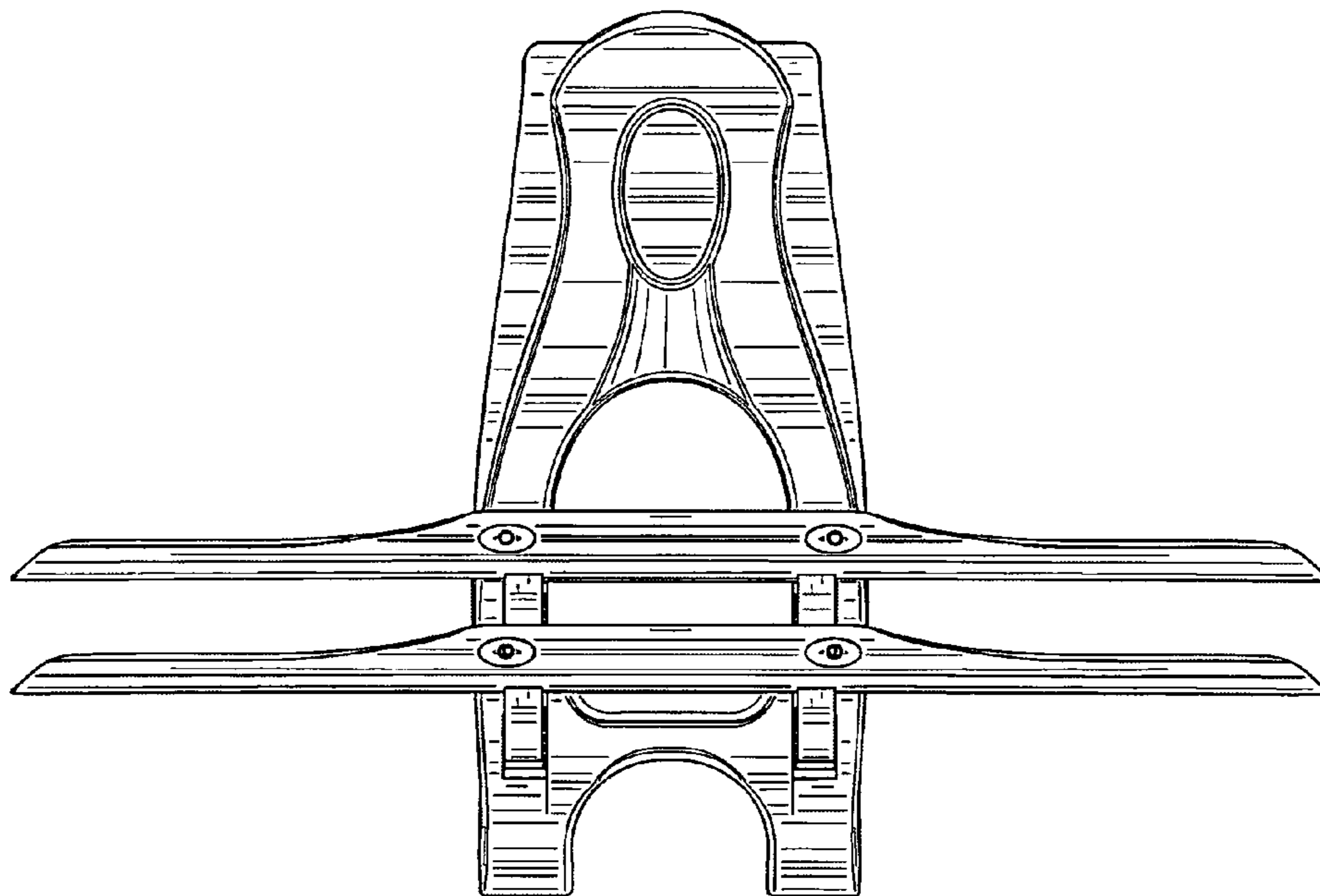


FIG. 3

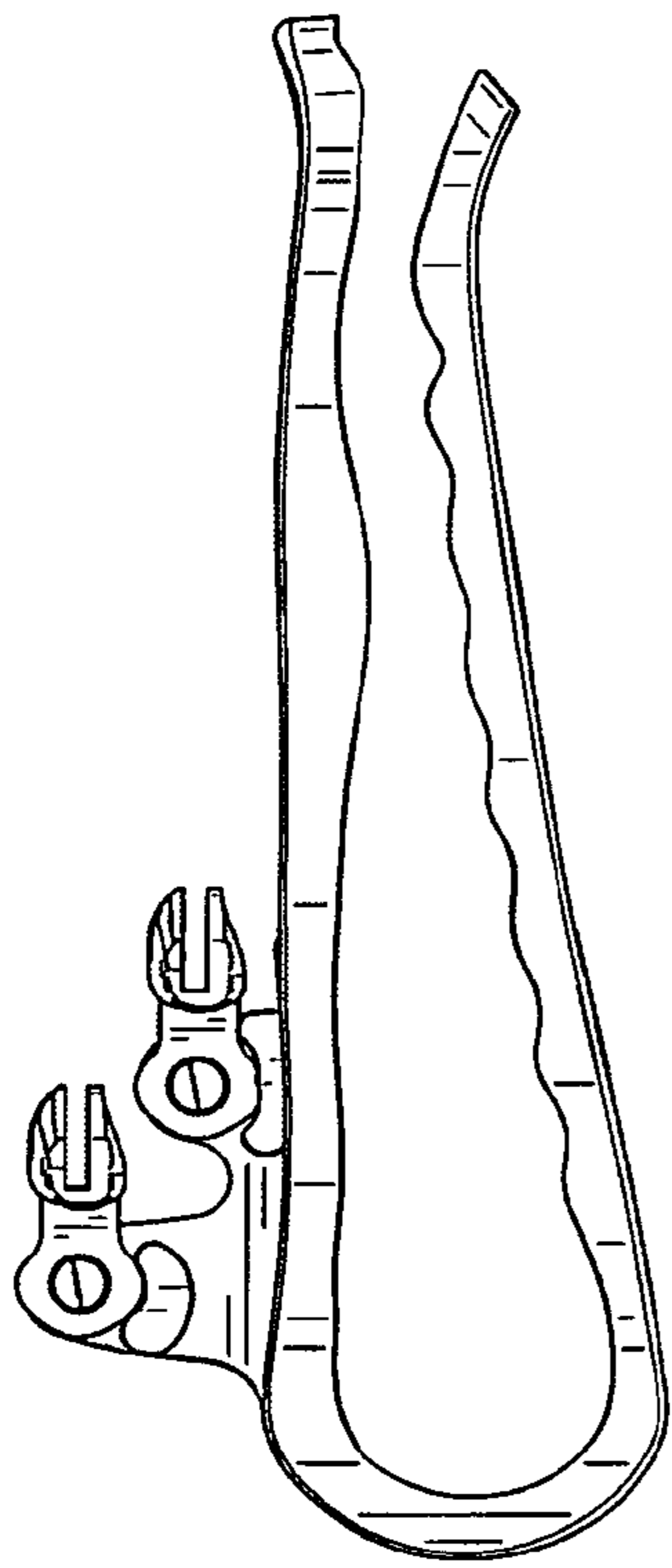


FIG. 4

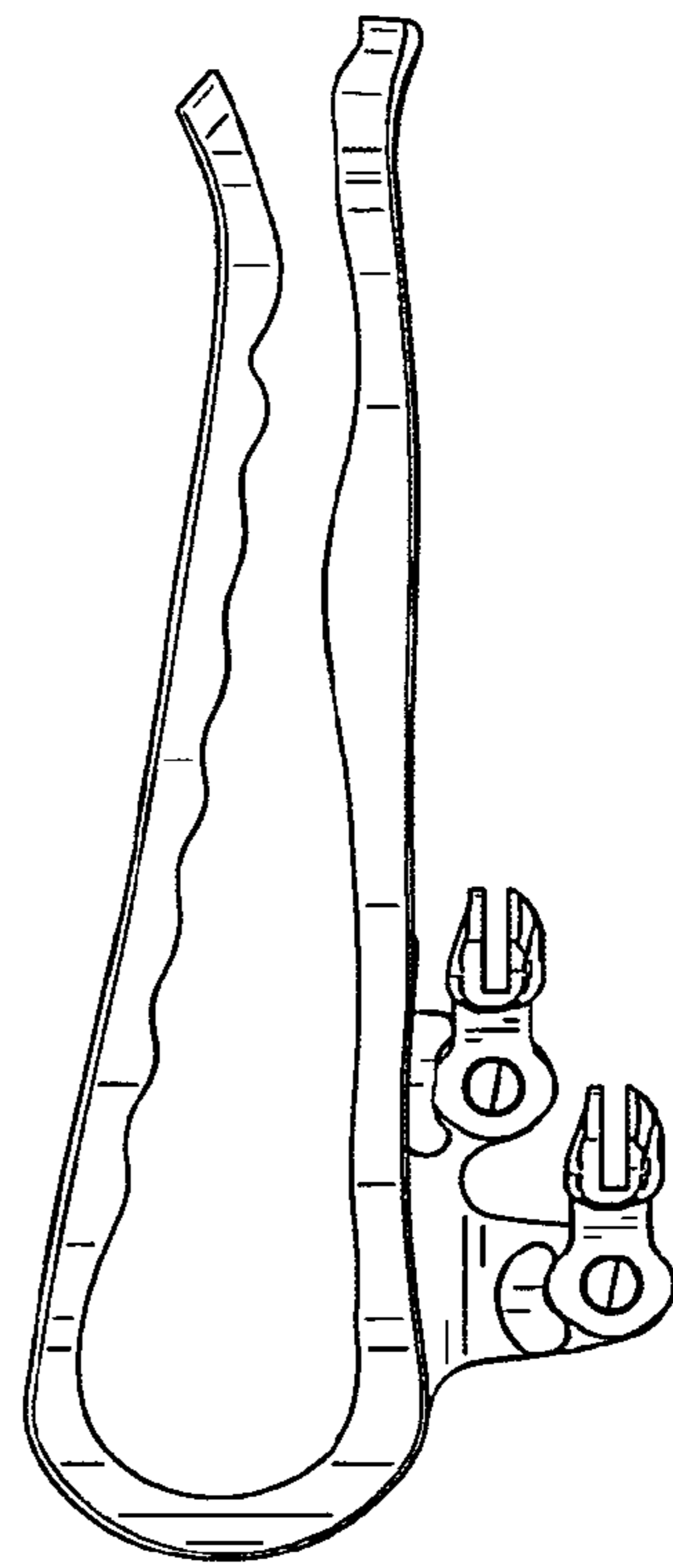


FIG. 5

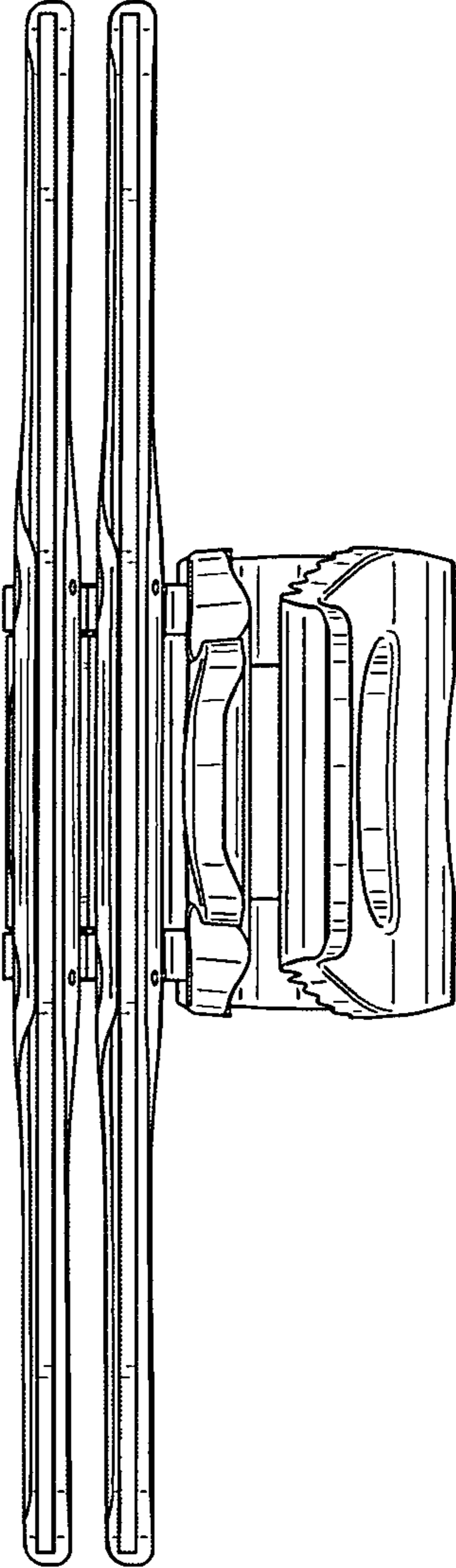


FIG. 6

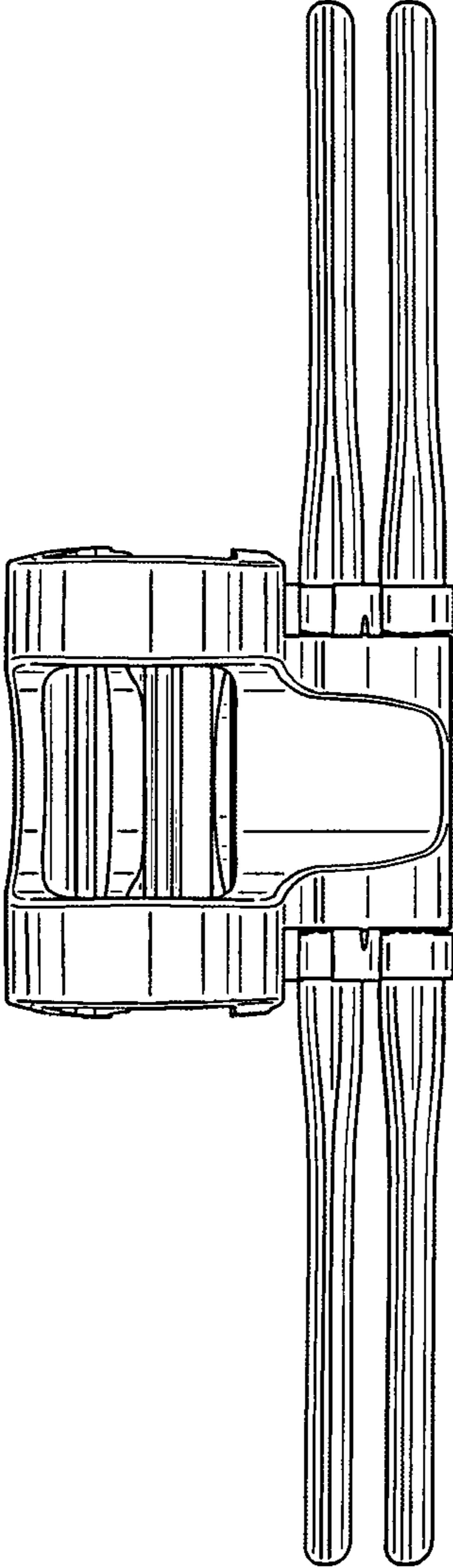


FIG. 7