



US00D716136S

(12) **United States Design Patent**
Roberts et al.

(10) **Patent No.:** **US D716,136 S**
(45) **Date of Patent:** **** Oct. 28, 2014**

(54) **CORNER CONNECTOR WITH DADO LOCK**

(71) Applicants: **Thomas A. Roberts**, Dandridge, TN
(US); **Shawn M. Parella**, Morristown,
TN (US)

(72) Inventors: **Thomas A. Roberts**, Dandridge, TN
(US); **Shawn M. Parella**, Morristown,
TN (US)

(**) Term: **14 Years**

(21) Appl. No.: **29/477,806**

(22) Filed: **Dec. 27, 2013**

(51) **LOC (10) Cl.** **08-01**

(52) **U.S. Cl.**
USPC **D8/382**

(58) **Field of Classification Search**
CPC E06B 3/9644; A47C 19/021; F16B 12/46;
F16B 12/04
USPC D8/382, 349; 5/400, 201, 200.1, 282.1;
403/231

See application file for complete search history.

(56) **References Cited**

U.S. PATENT DOCUMENTS

4,128,284	A	*	12/1978	King	312/348.2
4,319,370	A		3/1982	Robinson		
4,391,008	A		7/1983	Yamaoka et al.		
D277,156	S	*	1/1985	Hardy	D6/510
D278,489	S		4/1985	Ragland		
D289,572	S		4/1987	Wanta		
4,729,136	A		3/1988	Santo		
4,734,946	A		4/1988	Saputo		
5,099,529	A		3/1992	Anderson		
5,469,589	A		11/1995	Steed et al.		
5,564,140	A		10/1996	Shoenhair et al.		
D384,537	S		10/1997	Quintile		
5,709,500	A		1/1998	Mizelle et al.		
5,758,372	A		6/1998	Lopez		
5,884,385	A		3/1999	Quintile		
D422,201	S		4/2000	Jarnagin et al.		

D427,894	S	7/2000	Benz et al.
D428,804	S	8/2000	Benz et al.
6,125,488	A	10/2000	Vogland et al.
D435,788	S	1/2001	Bunning
6,286,161	B1	9/2001	McCall
D484,780	S	1/2004	Barile
6,978,498	B2	12/2005	Gavela Vazquez
D599,199	S	9/2009	Roberts et al.
7,703,155	B1	4/2010	Roberts et al.
D616,291	S	5/2010	Roberts et al.
7,900,300	B1	3/2011	Roberts et al.
D653,939	S	2/2012	Roberts
8,122,537	B1	2/2012	Roberts
8,584,277	B1	11/2013	Roberts
2003/0028963	A1	2/2003	McCraw et al.

(Continued)

FOREIGN PATENT DOCUMENTS

JP	08009776	1/1996
JP	2001061601	3/2001

Primary Examiner — Sheryl Lane

(74) *Attorney, Agent, or Firm* — Shaddock Law Group, PC

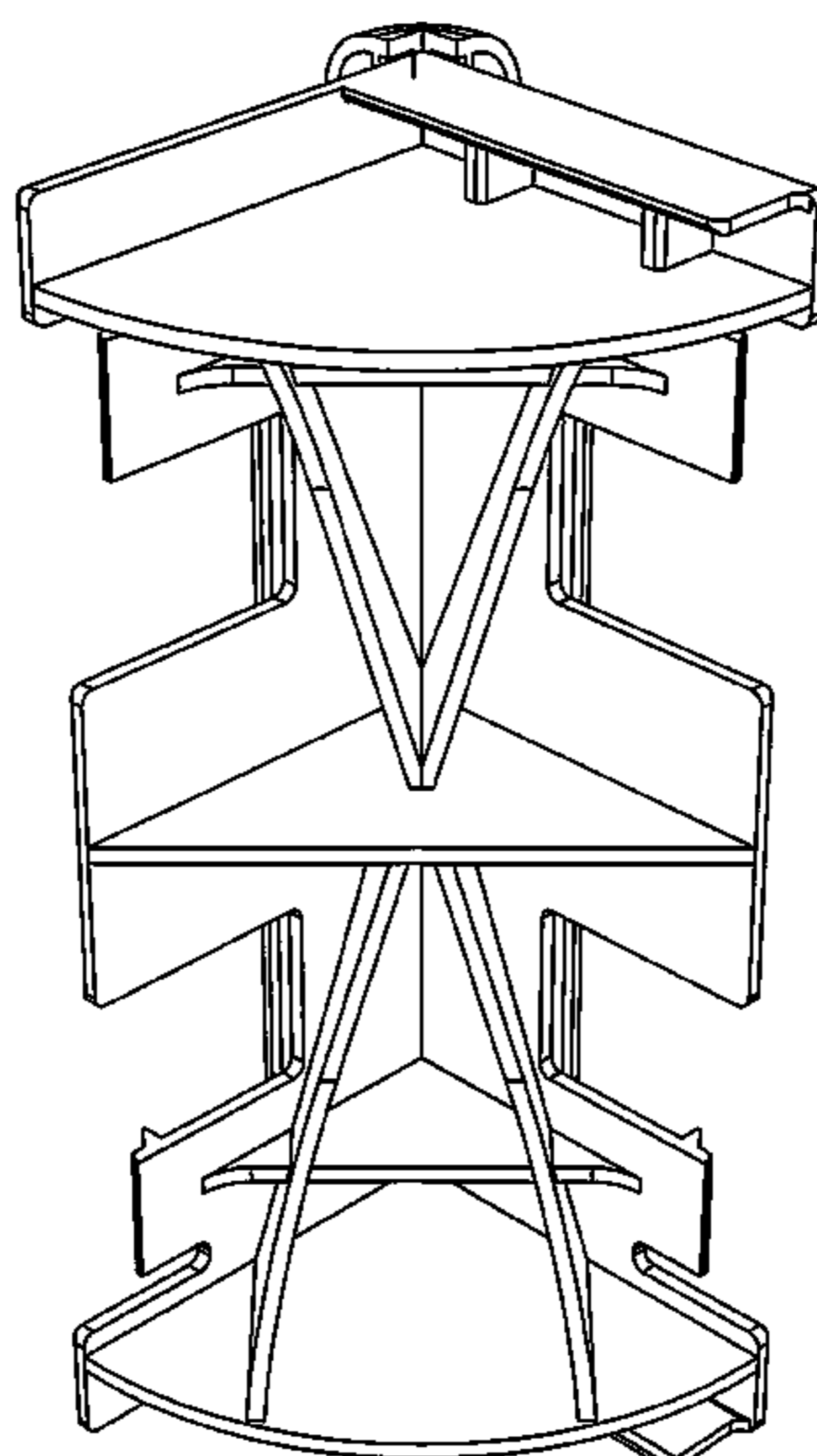
(57) **CLAIM**

The ornamental design for a corner connector with dado lock, substantially as shown and described.

DESCRIPTION

FIG. 1 is a top isometric perspective view of a corner connector for a structure, showing my new design;
FIG. 2 is a top perspective view thereof;
FIG. 3 is a left side view thereof;
FIG. 4 is a right side view thereof;
FIG. 5 is a left side rotational view thereof;
FIG. 6 is a right side rotational view thereof;
FIG. 7 is a front view thereof;
FIG. 8 is a rear view thereof;
FIG. 9 is a top view thereof;
FIG. 10 is a bottom view thereof; and,
FIG. 11 is a bottom isometric view thereof.

1 Claim, 8 Drawing Sheets



(56)

References Cited

U.S. PATENT DOCUMENTS

2005/0028274 A1 2/2005 Hooper
2005/0039258 A1 2/2005 Gavela Vazquez
2005/0039259 A1 2/2005 Gladney

2005/0235417 A1 10/2005 Koughan et al.
2007/0220680 A1 9/2007 Miller et al.
2008/0235868 A1 10/2008 Snitzer et al.

* cited by examiner

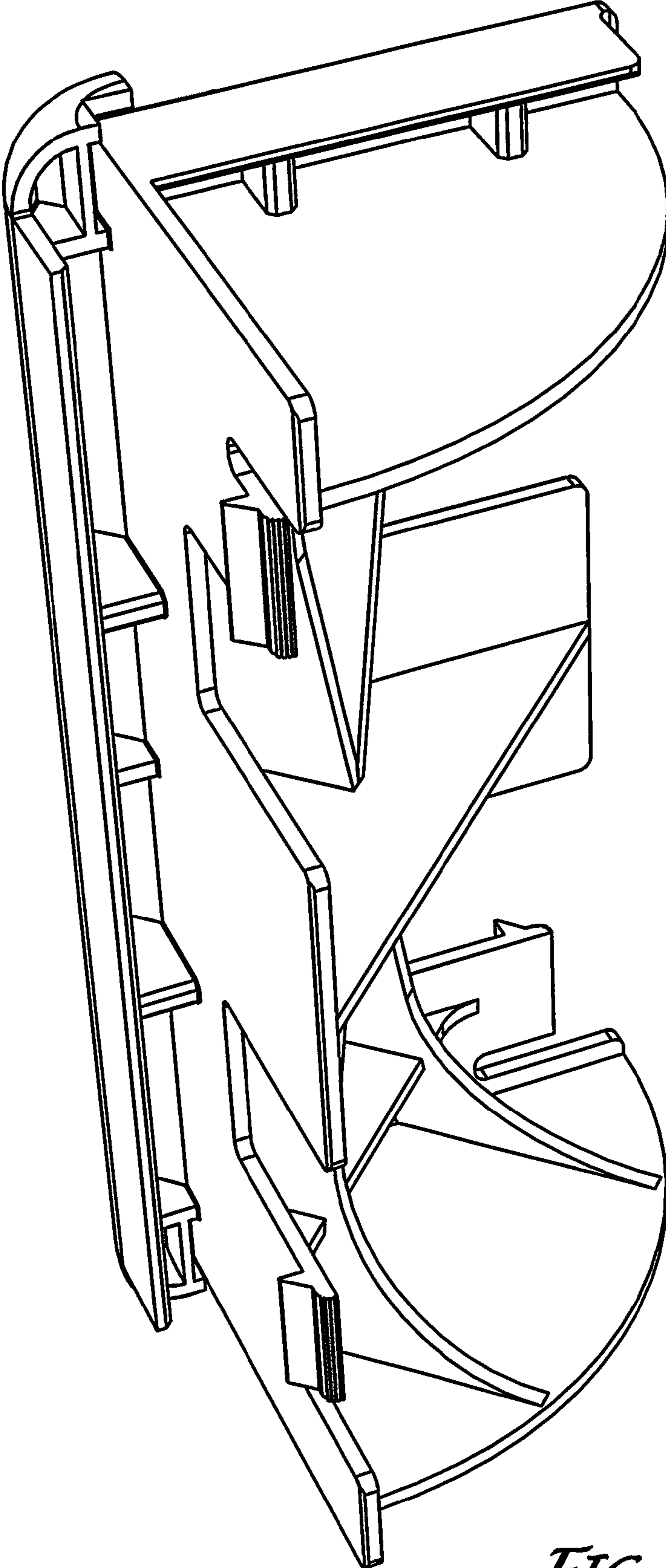


FIG. 1

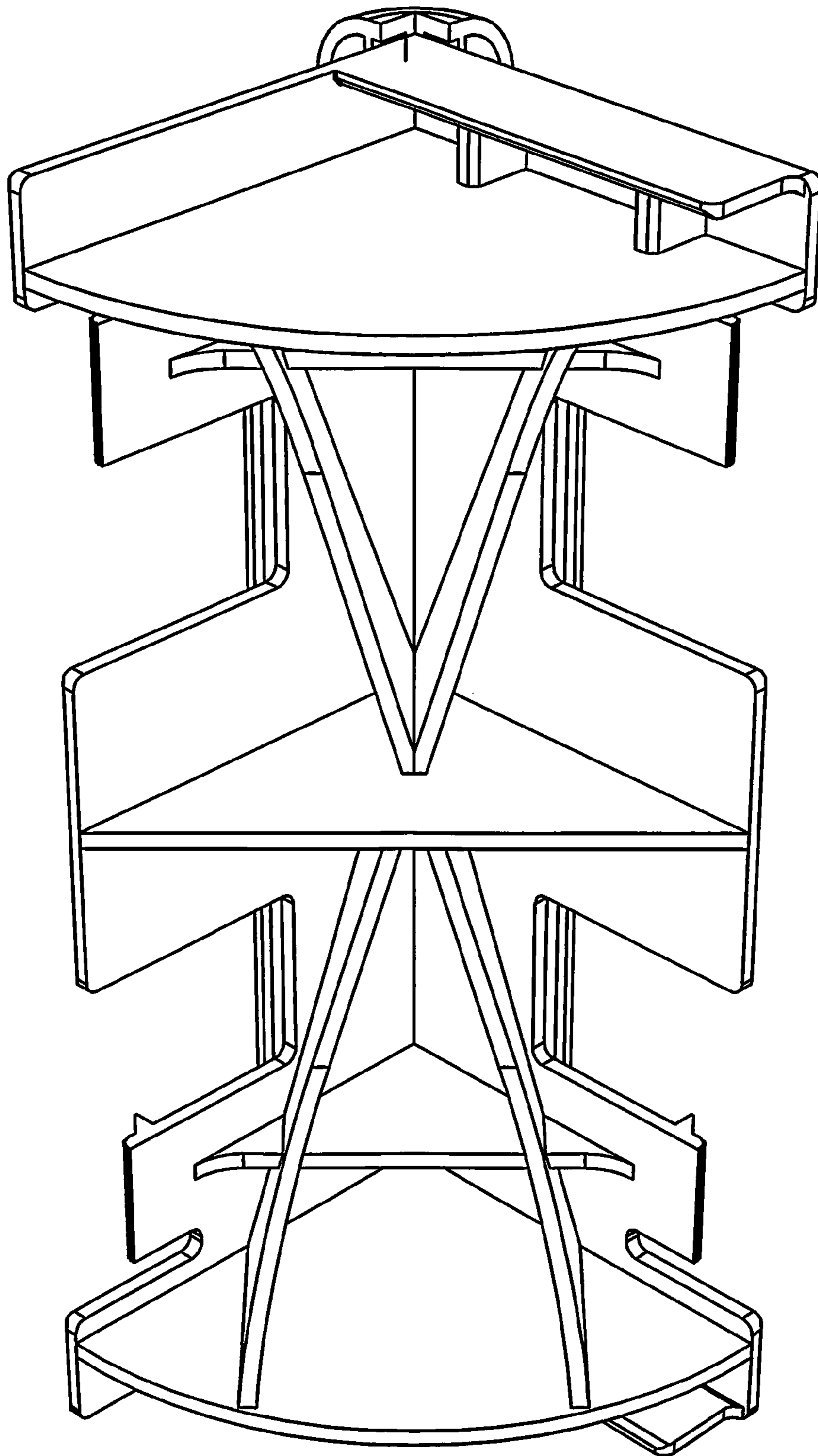


FIG. 2

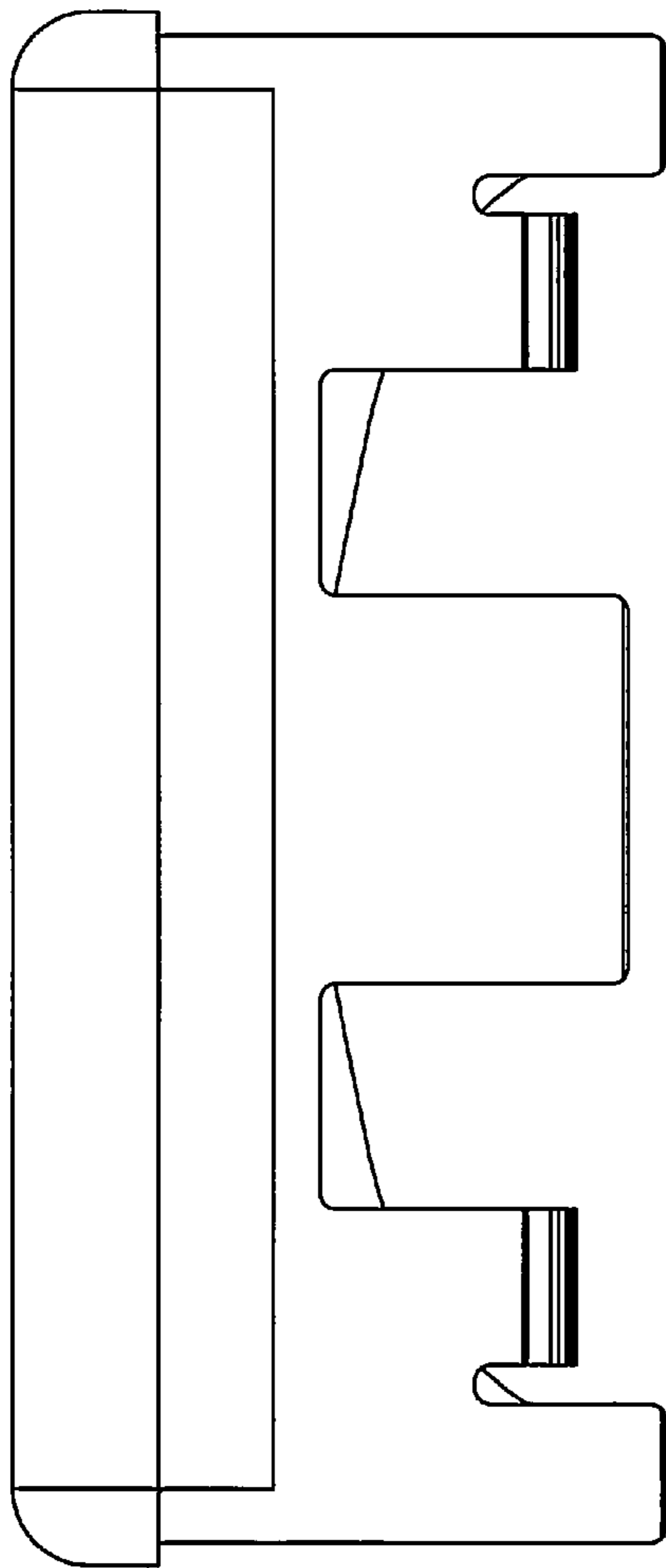


FIG. 3

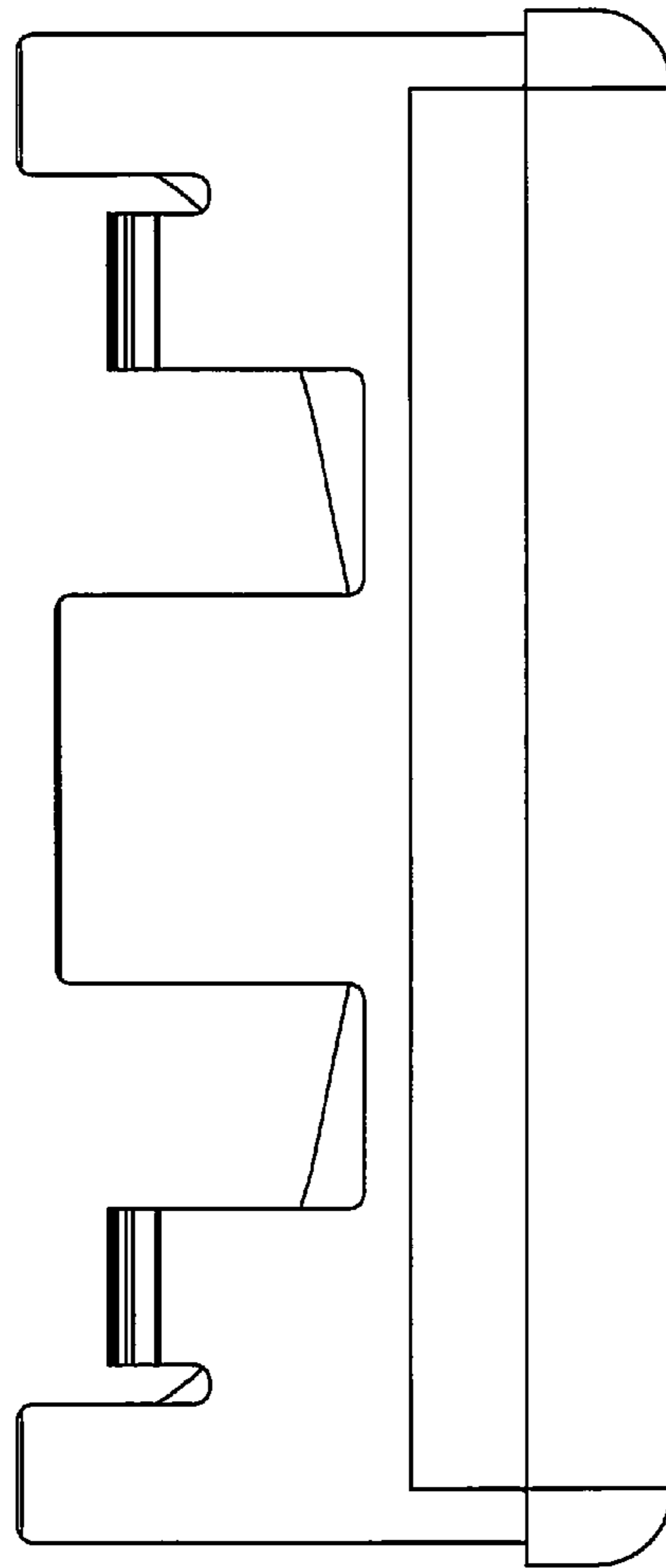


FIG. 4

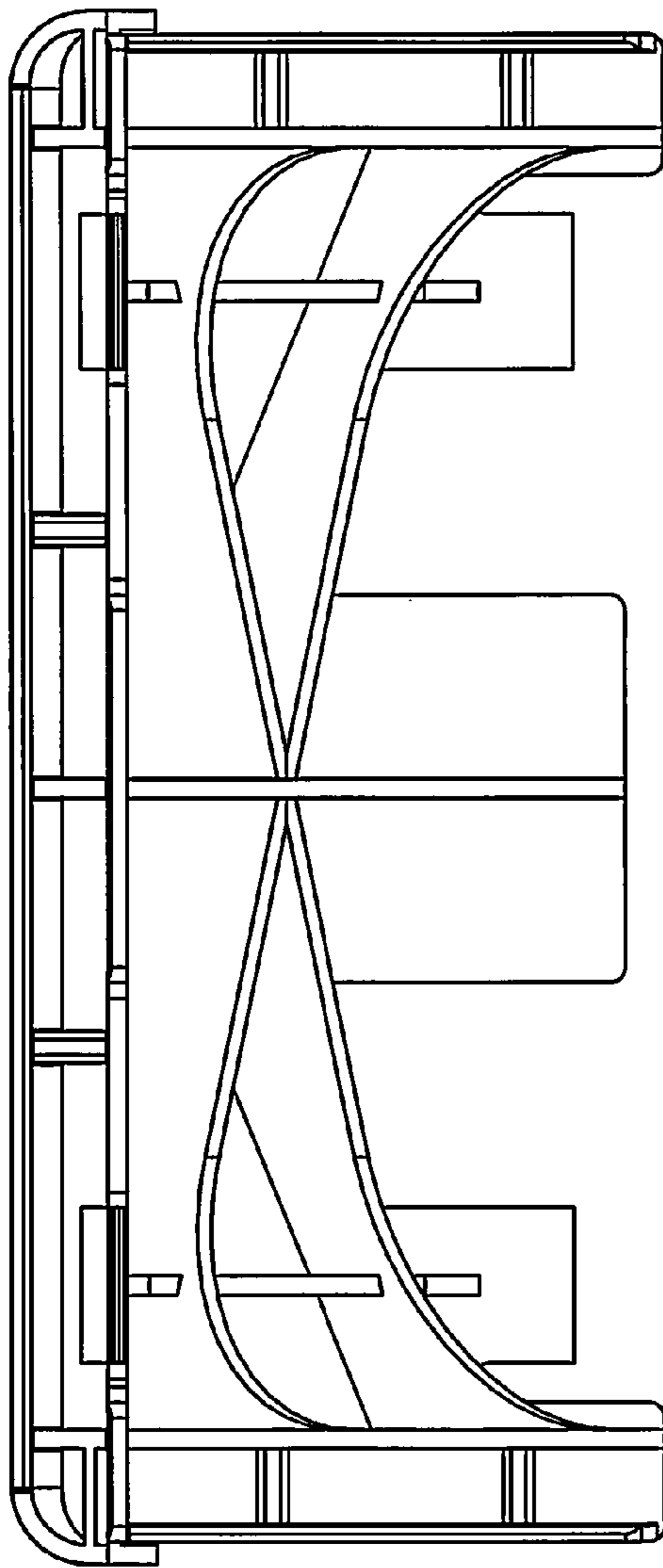


FIG. 5

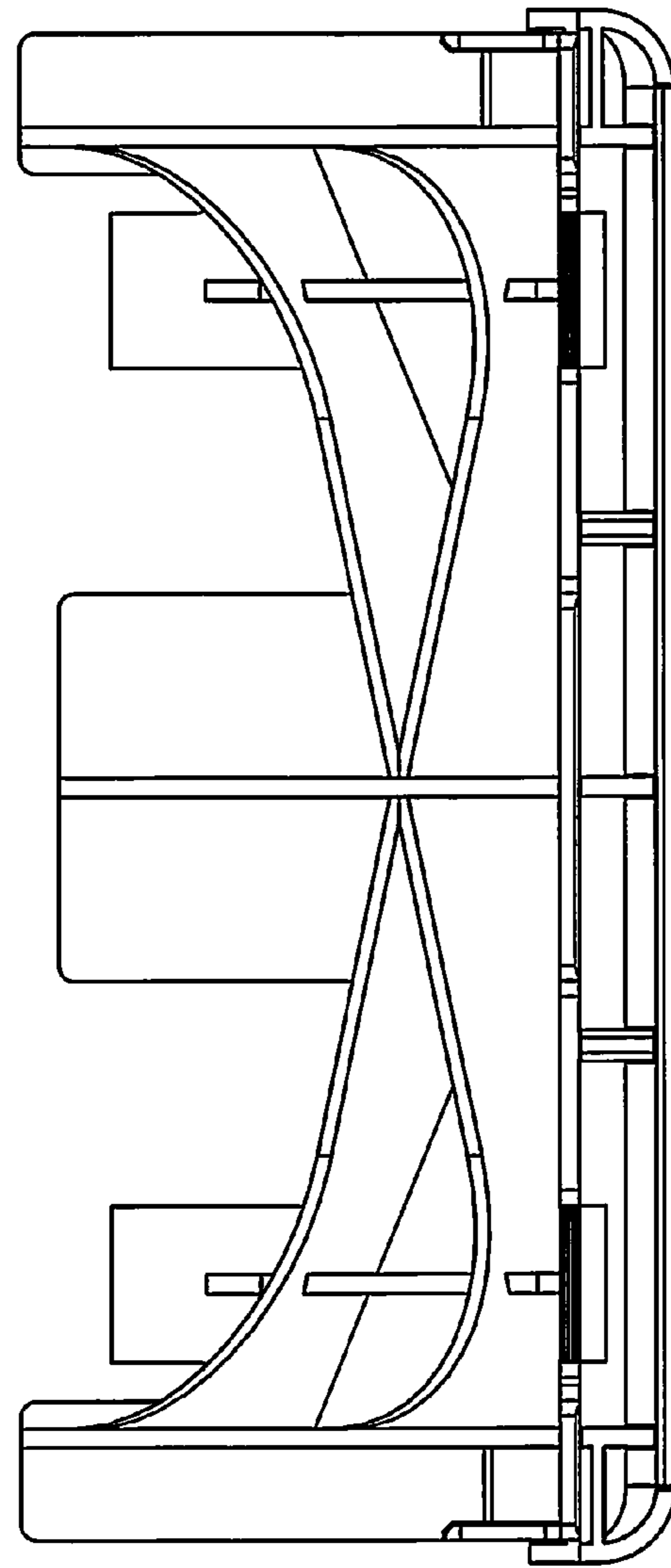


FIG. 6

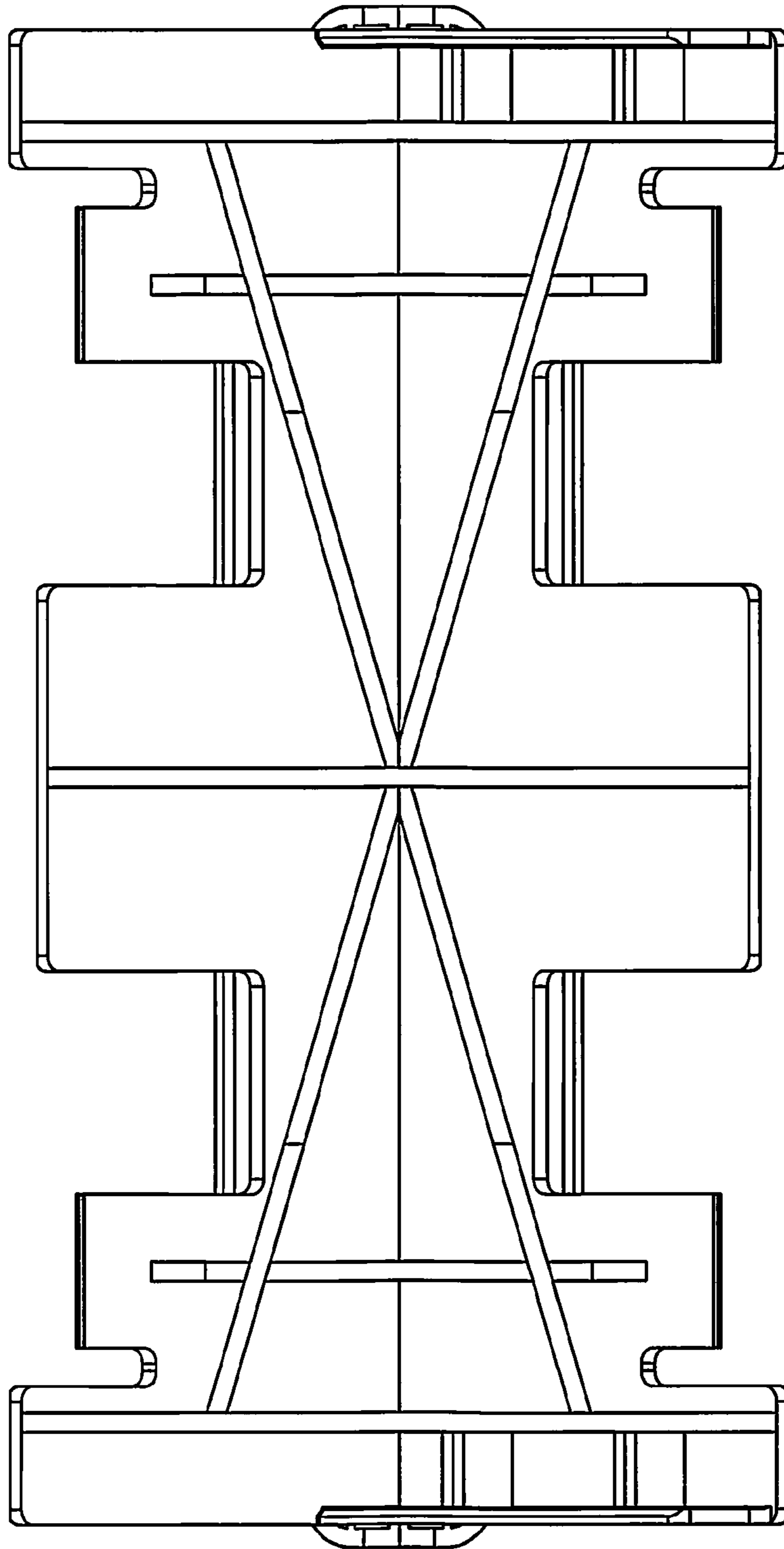


FIG. 7

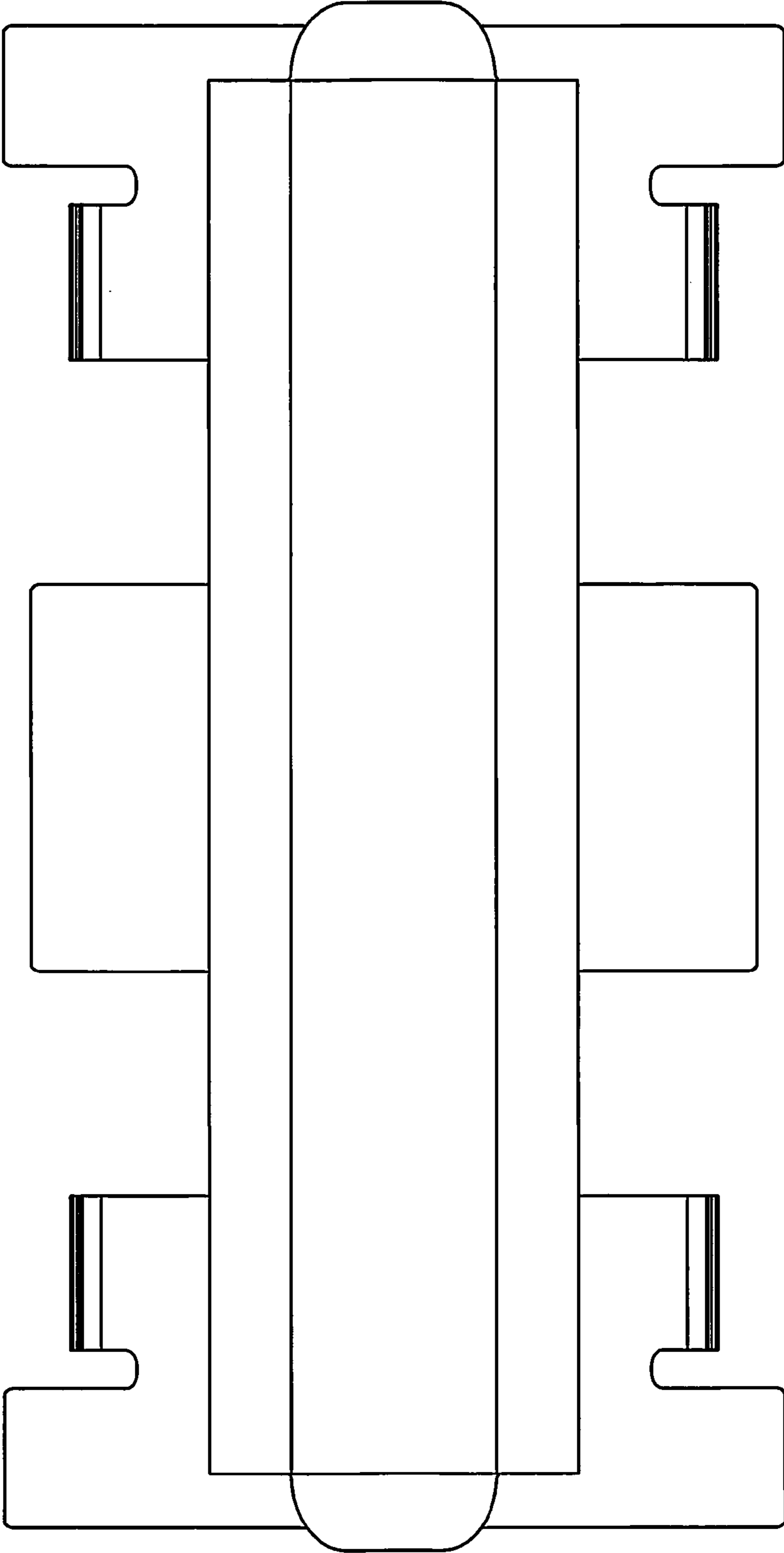


FIG. 8

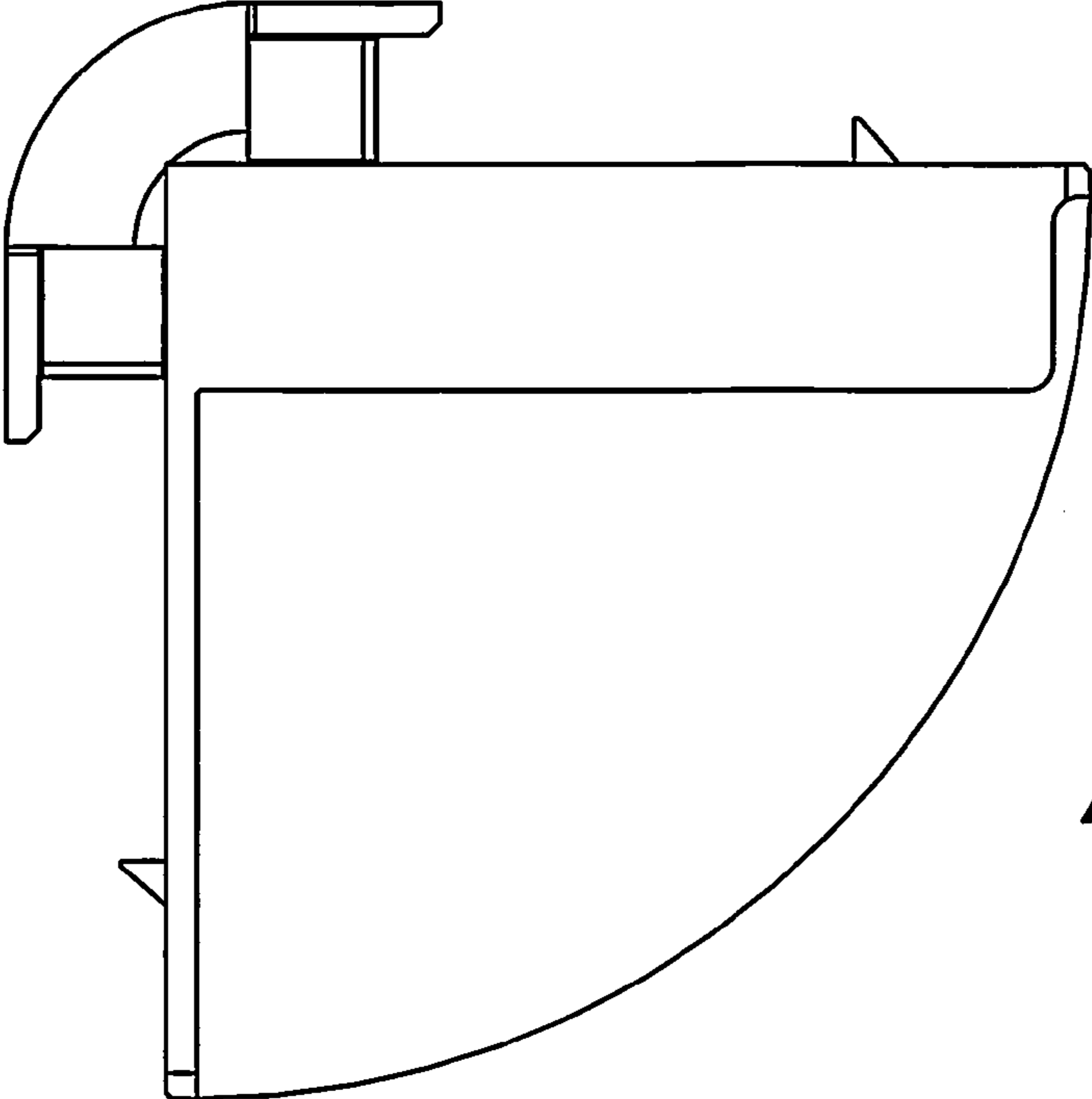
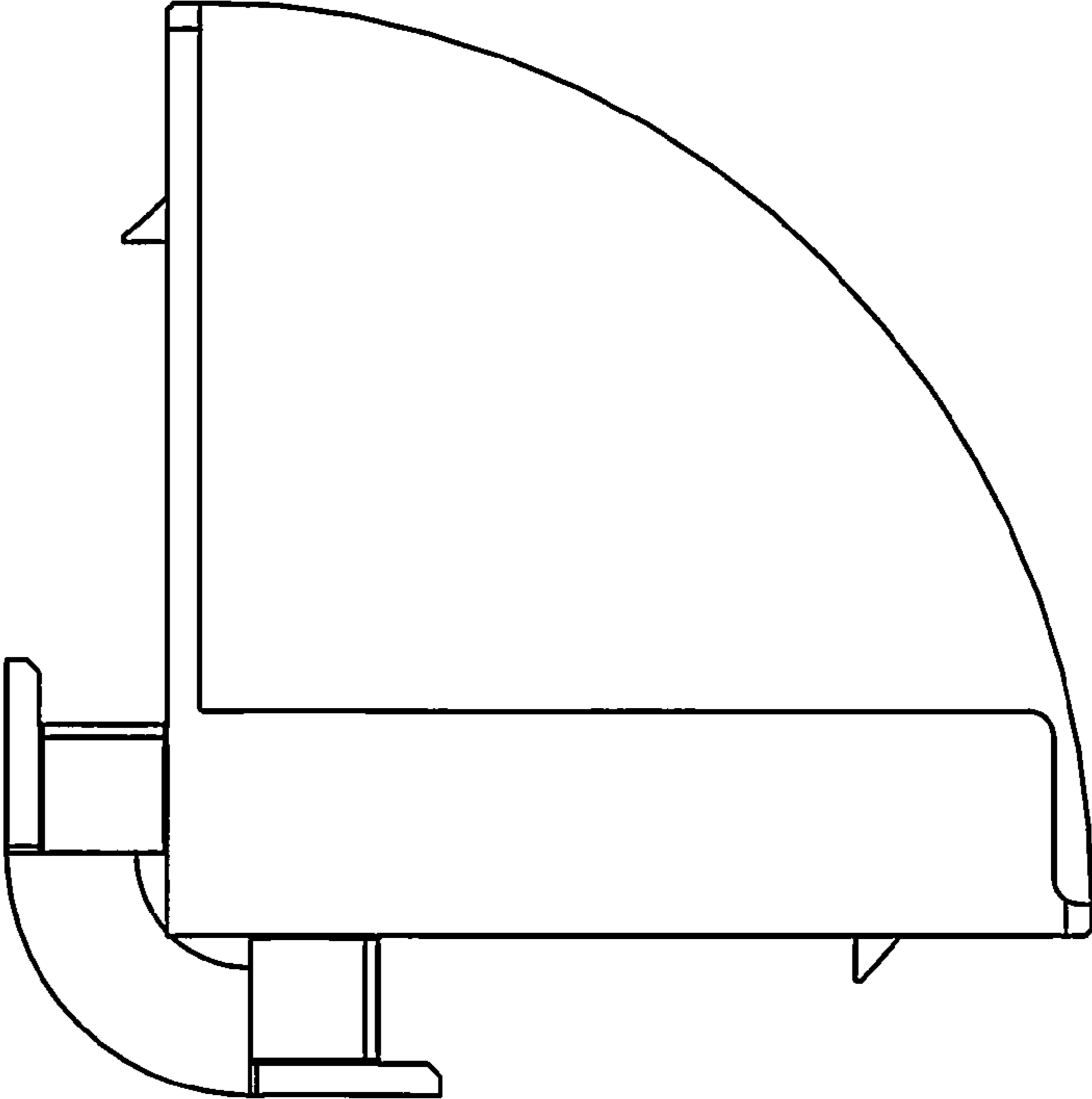


FIG. 9

FIG. 10



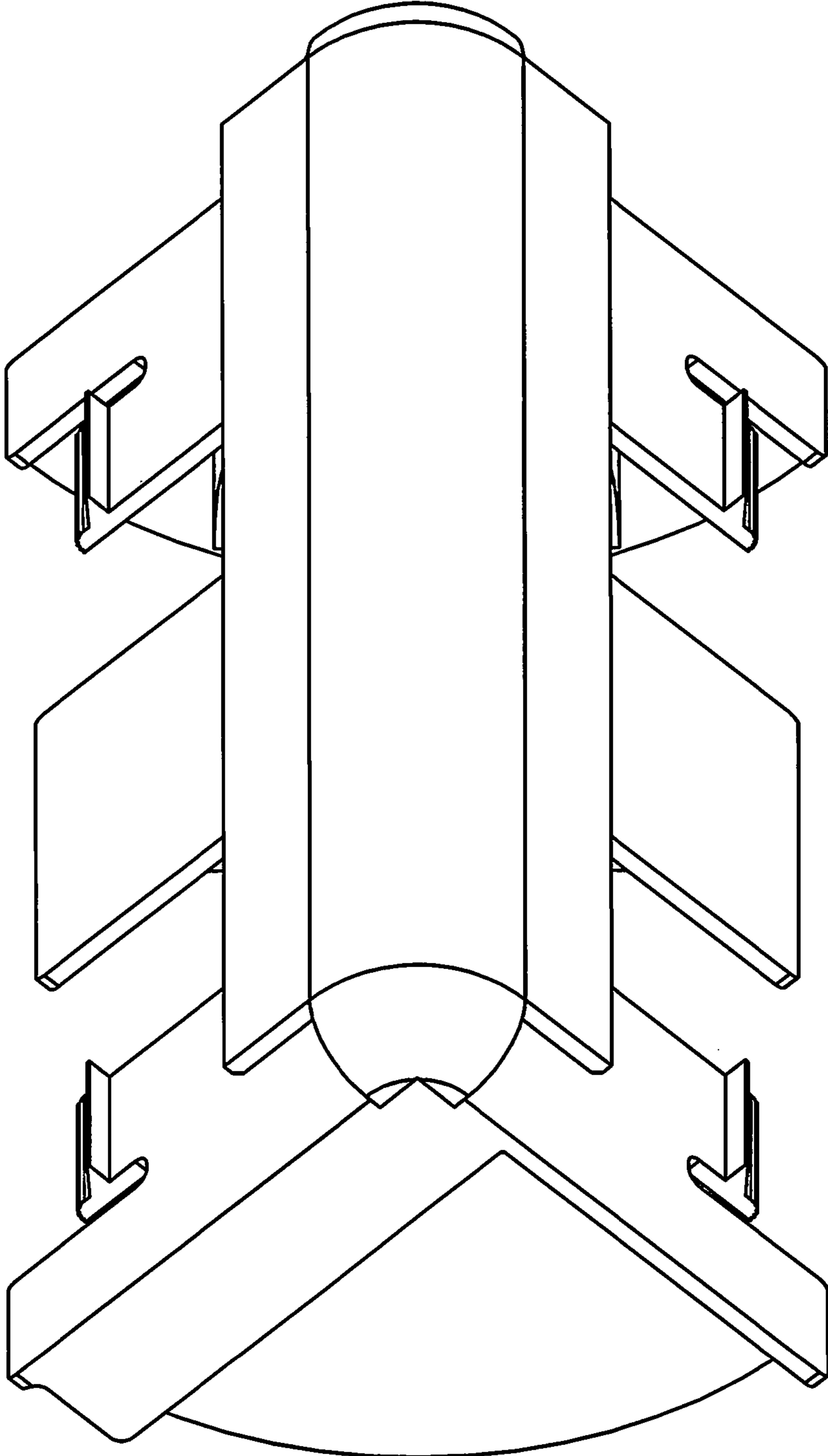


FIG. 11