

US00D716135S

(12) **United States Design Patent**
Morano et al.

(10) **Patent No.:** **US D716,135 S**

(45) **Date of Patent:** **** Oct. 28, 2014**

(54) **RAIL FENCE MULTI-HANGER BRACKET**

(71) Applicants: **Luciano Morano**, Staten Island, NY
(US); **Ivana Morano**, Staten Island, NY
(US)

(72) Inventors: **Luciano Morano**, Staten Island, NY
(US); **Ivana Morano**, Staten Island, NY
(US)

(**) Term: **14 Years**

(21) Appl. No.: **29/470,238**

(22) Filed: **Oct. 18, 2013**

(51) **LOC (10) Cl.** **08-05**

(52) **U.S. Cl.**
USPC **D8/372**

(58) **Field of Classification Search**
CPC A47G 25/0635; A47G 25/0607; A47G
25/06; A47K 10/12
USPC D6/315, 320, 323, 512, 553, 570;
D8/71, 349, 366, 367, 371, 372, 373;
248/682, 690, 692, 200, 207, 211
See application file for complete search history.

(56) **References Cited**

U.S. PATENT DOCUMENTS

D159,261 S * 7/1950 Fiechter D6/323
D216,900 S * 3/1970 Miller D6/320
D224,499 S * 8/1972 Robertson D8/381

D228,737 S * 10/1973 Mathews D8/356
D297,412 S * 8/1988 Allen D8/373
D323,286 S * 1/1992 Roetting D8/372
D336,842 S * 6/1993 Hampshire D8/372
5,487,517 A 1/1996 Smith
5,823,360 A 10/1998 Gorosave
D431,912 S * 10/2000 Bailey D6/323
D573,449 S * 7/2008 Goodman et al. D8/371
D617,998 S * 6/2010 Goodman et al. D6/323
7,845,604 B2 12/2010 Connor, Jr.
D684,408 S * 6/2013 Coraluzzo et al. D6/570

* cited by examiner

Primary Examiner — Deanna L Pratt

Assistant Examiner — Ieisha Price

(74) *Attorney, Agent, or Firm* — Crossley Patent Law;
Micah C. Gunn

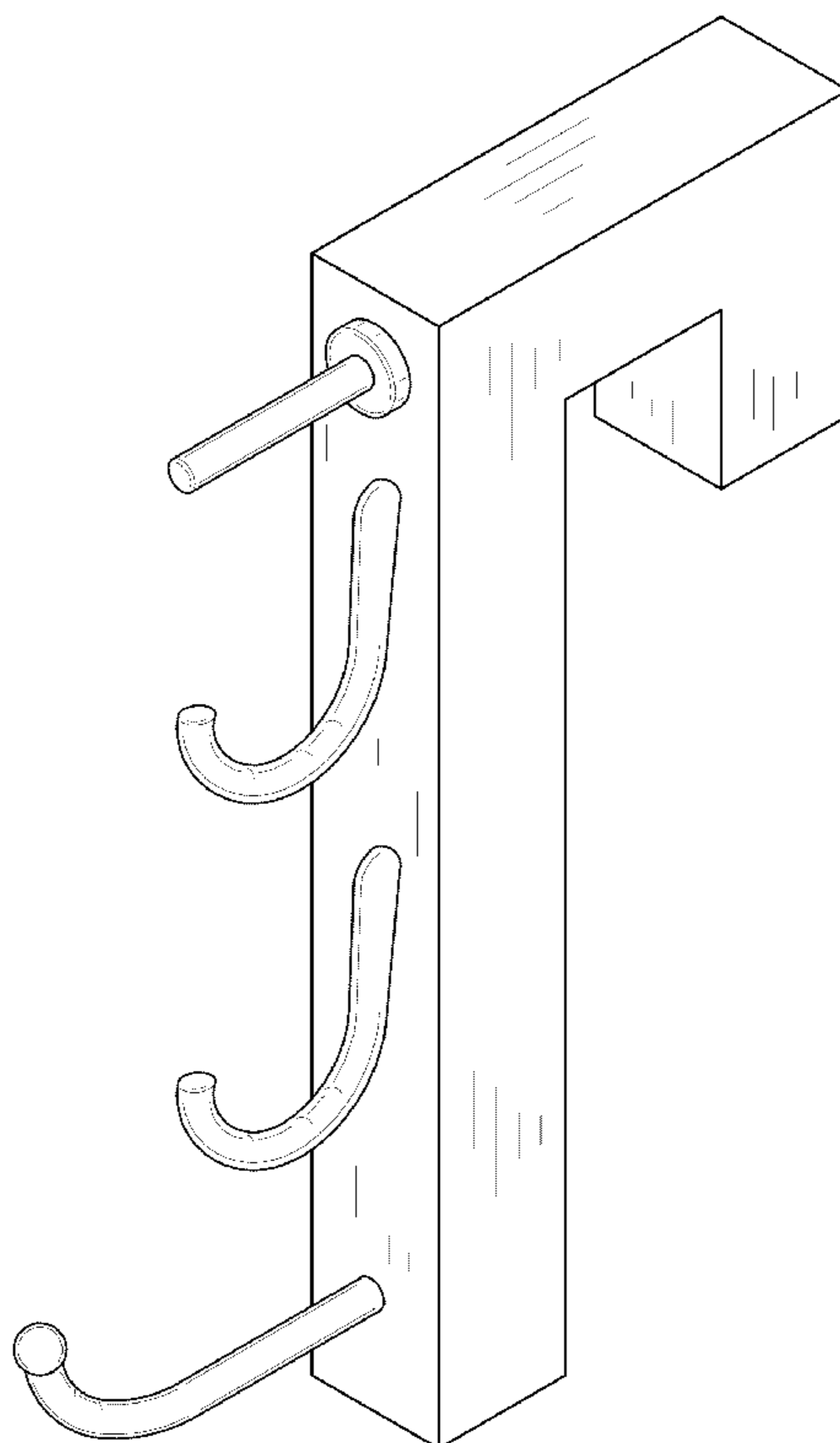
(57) **CLAIM**

The ornamental design for a rail fence multi-hanger bracket,
as shown and described.

DESCRIPTION

FIG. 1 is a right elevation view of a rail fence multi-hanger
bracket showing our new design, the opposite side being a
mirror image of the shown;
FIG. 2 is a front elevation view thereof;
FIG. 3 is a rear elevation view thereof;
FIG. 4 is a top plan view thereof;
FIG. 5 is a bottom plan view thereof; and,
FIG. 6 is an isometric view thereof.

1 Claim, 4 Drawing Sheets



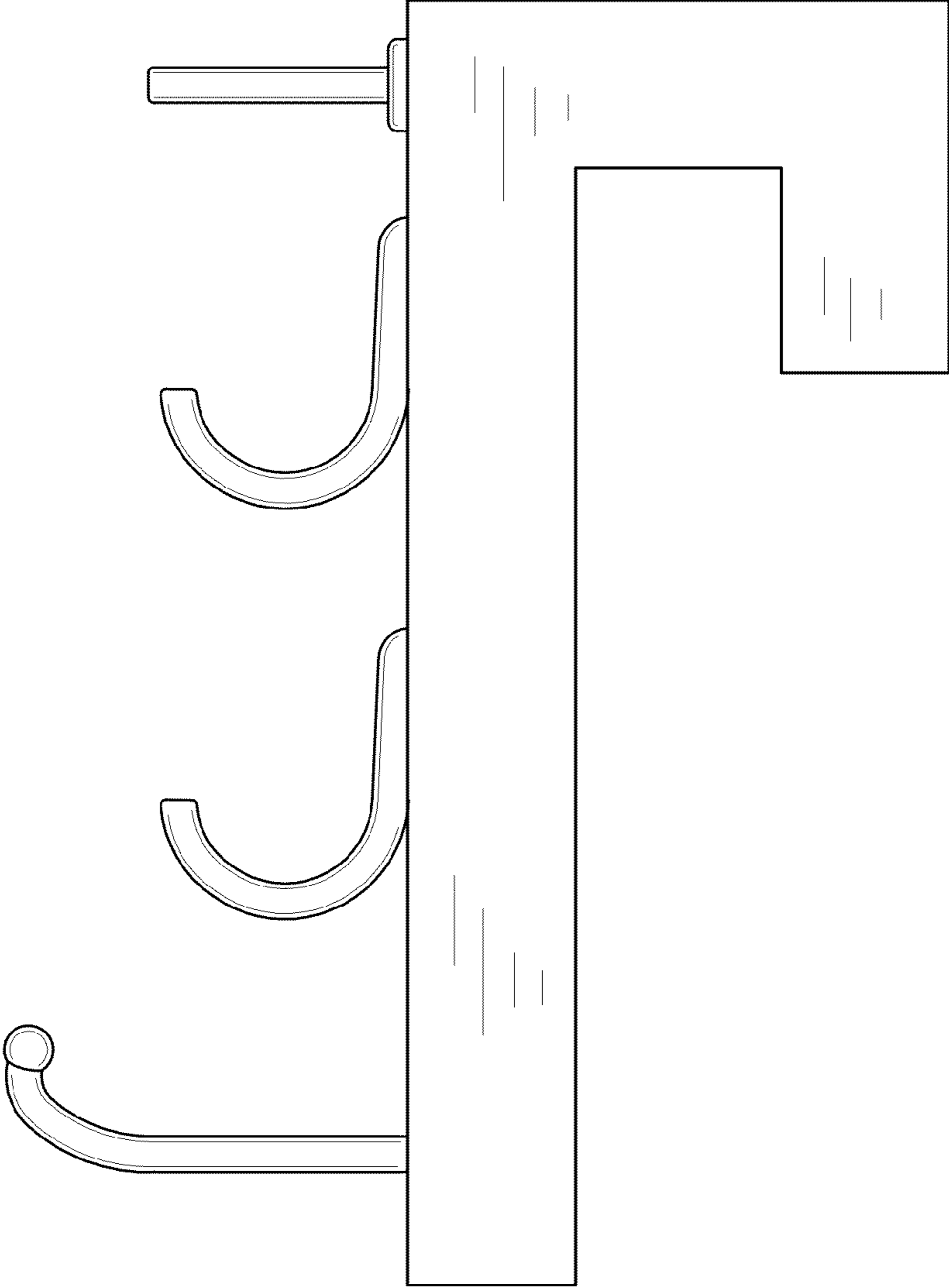


FIG. 1

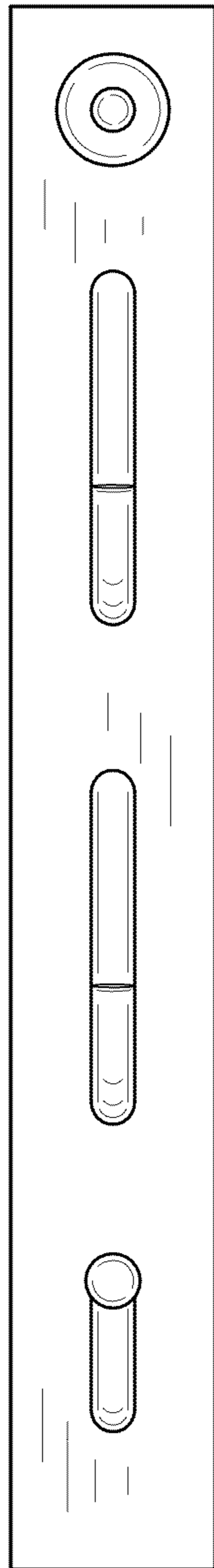


FIG. 2

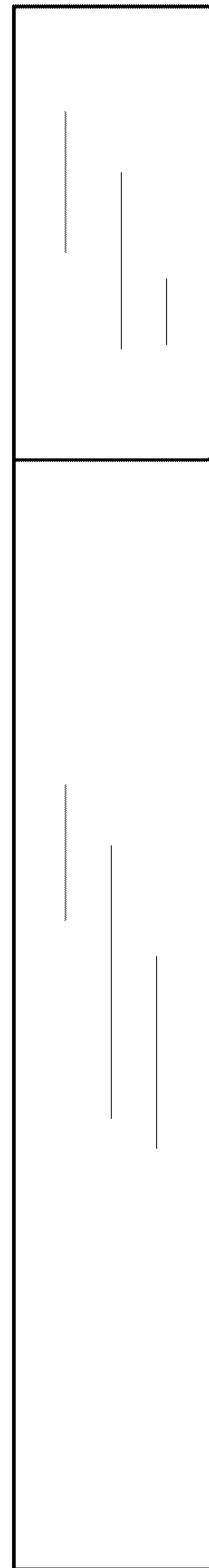


FIG. 3

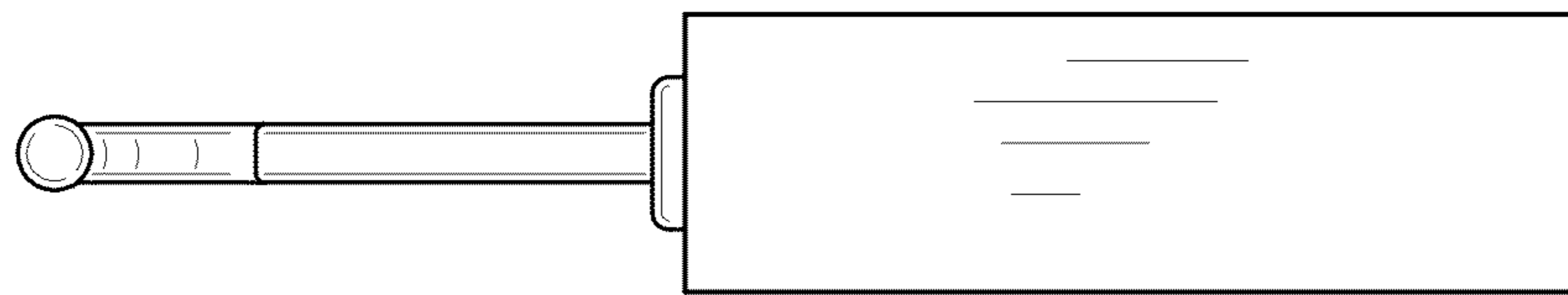


FIG. 4

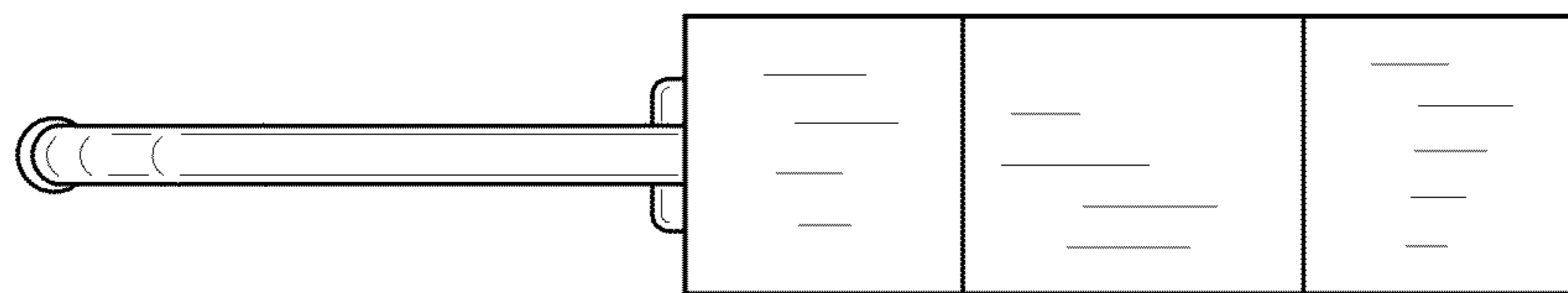


FIG. 5

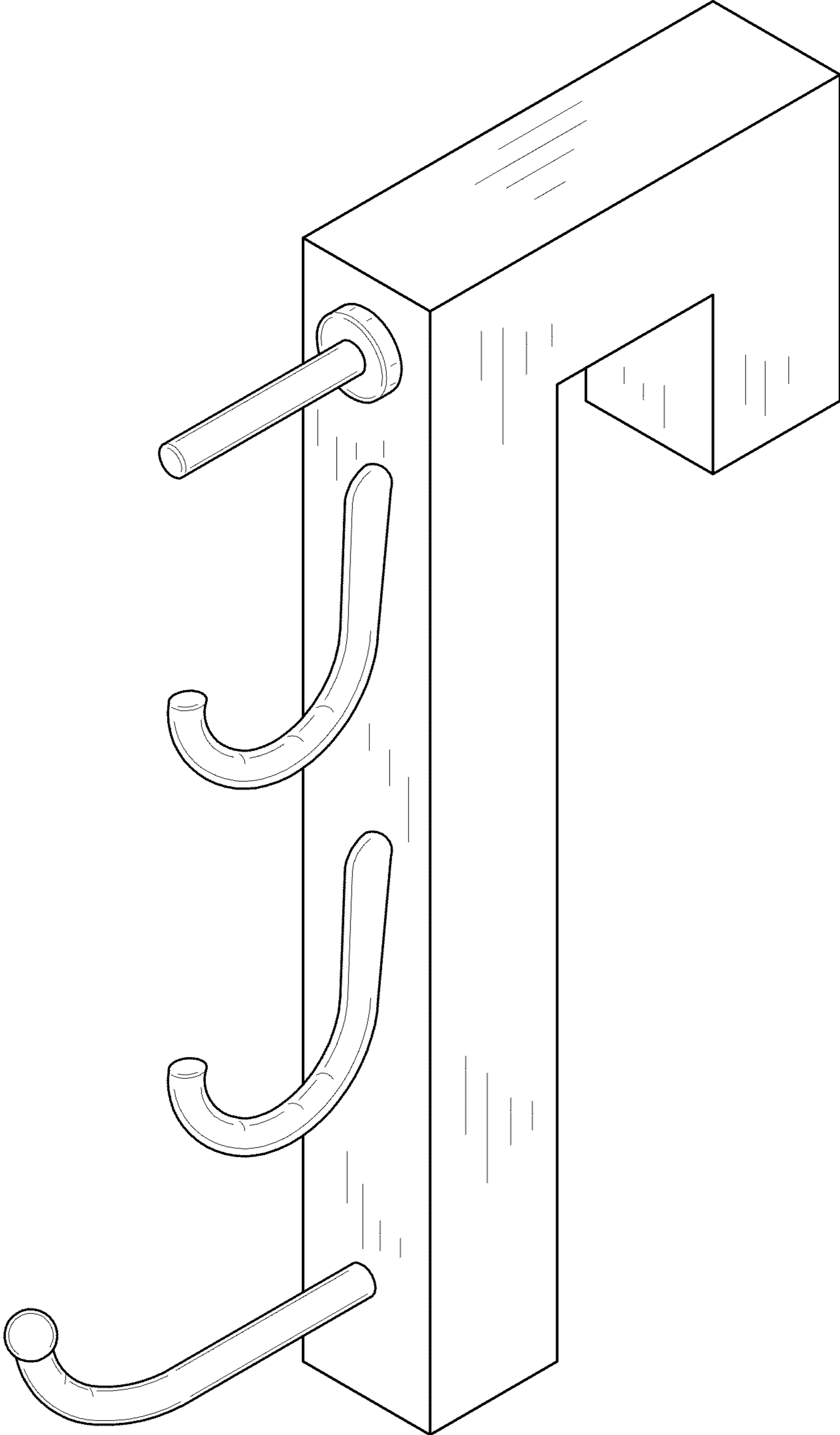


FIG. 6