



US00D716134S

(12) **United States Design Patent**
Pan et al.

(10) **Patent No.:** **US D716,134 S**
(45) **Date of Patent:** **** Oct. 28, 2014**

(54) **HOOKS**

(71) Applicant: **3M Innovative Properties Company**,
St. Paul, MN (US)

(72) Inventors: **Angela L. Pan**, Woodbury, MN (US);
Giuseppe De Bellis, San Donato
Milanese (IT)

(73) Assignee: **3M Innovative Properties Company**,
St. Paul, MN (US)

(**) Term: **14 Years**

(21) Appl. No.: **29/465,463**

(22) Filed: **Aug. 28, 2013**

(51) **LOC (10) Cl.** **08-05**

(52) **U.S. Cl.**
USPC **D8/372**

(58) **Field of Classification Search**
CPC A47G 25/0635; A47G 25/0607; A47G
25/06; A47K 10/12
USPC D6/315, 318, 319, 512, 513, 567;
D8/71, 366, 367, 380; 248/682, 690,
248/692, 207, 211
See application file for complete search history.

(56) **References Cited**

U.S. PATENT DOCUMENTS

D291,154 S *	8/1987	Owen	D6/323
D458,070 S *	6/2002	Bennett et al.	D6/567
D472,134 S *	3/2003	Goodman et al.	D8/372
D483,593 S *	12/2003	Knapp	D6/572
D559,089 S *	1/2008	Goodman et al.	D8/372
D581,711 S *	12/2008	Goodman et al.	D6/572
D694,097 S *	11/2013	Hammer	D8/372
2009/0087610 A1 *	4/2009	Lee	428/76

OTHER PUBLICATIONS

MyKnobs.com, 1 page, <http://www.shopamerock.com/pages/view-larger.html?im=http%3A//cloud.knobs4less.com/ameh55590wg10-zoom.jpg>, retrieved from the internet on Aug. 21, 2013.
Threshold™ Key Tidy Rail with 4 Hooks—White/Satin Nickel, 3 pages, http://www.target.com/p/threshold-key-tidy-rail-with-4-hooks-white-satin-nickel/-/A-13332188#prodSlot=medium_1_5&term=key+rail, retrieved from the internet on Aug. 21, 2013.
Brainerd 4-Hook Key Tidy Rail, Flat White, 1 page, <http://www.walmart.com/ip/Brainerd-4-Hook-Key-Tidy-Rail-Flat-White/14935541>, retrieved from the internet on Aug. 21, 2013.
Liberty 4-Hook Key Ran, Espresso and Antique Iron, RPSR4AZ-210-D, 1 page, <http://www.walmart.com/ip/Liberty-4-Hook-Key-Rail-Espresso-and-Antique-Iron-RPSR4AZ-210-D/24498309>, retrieved from the internet on Aug. 21, 2013.

(Continued)

Primary Examiner — Deanna L Pratt
Assistant Examiner — Ieisha Price
(74) *Attorney, Agent, or Firm* — Irina Hass

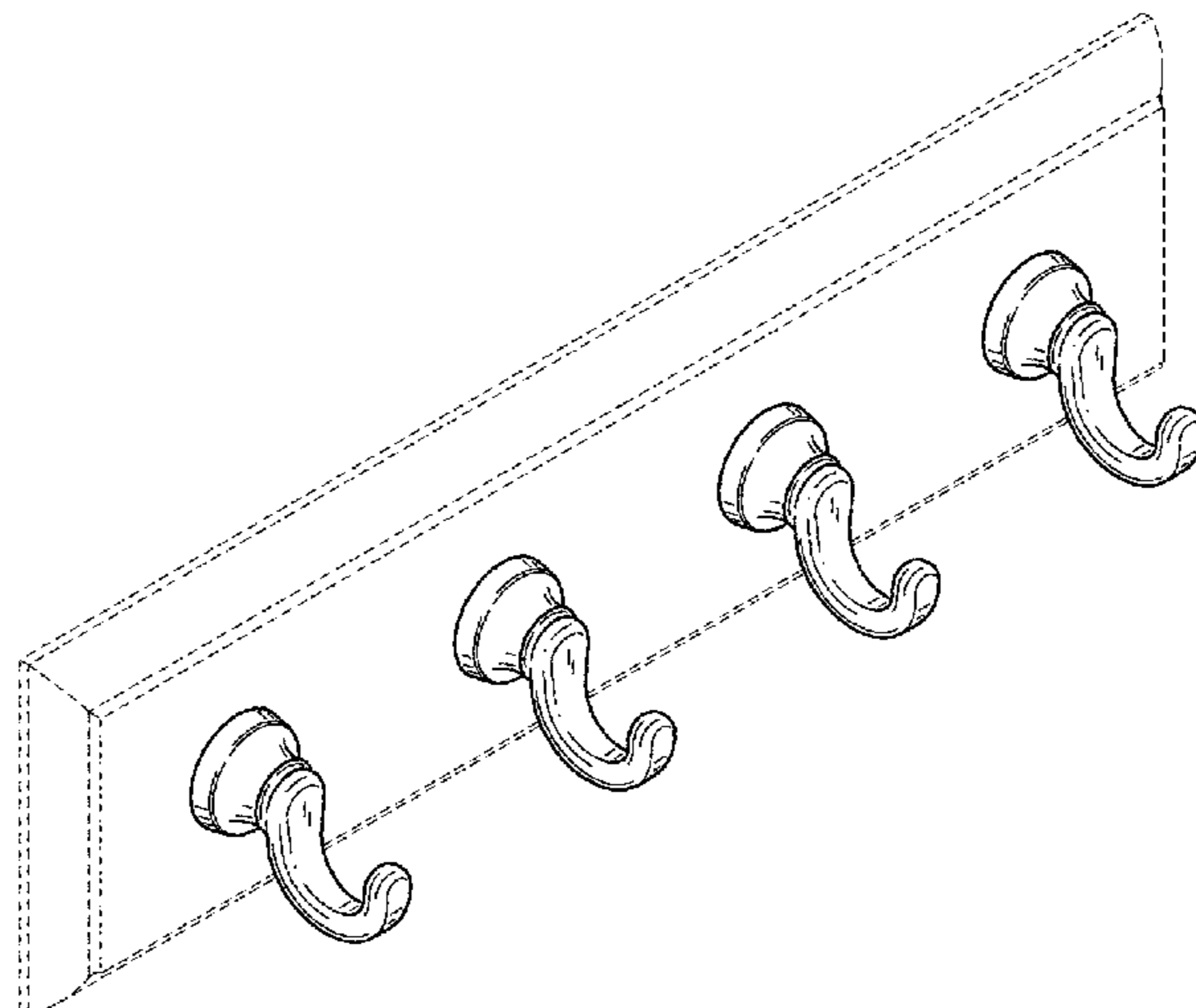
(57) **CLAIM**

The ornamental design for hooks, as shown and described.

DESCRIPTION

FIG. 1 is a perspective view showing the new design for hooks;
FIG. 2 is a front view thereof;
FIG. 3 is a top view thereof;
FIG. 4 is a bottom view thereof;
FIG. 5 is a rear view thereof; and,
FIG. 6 is a right side view thereof, a left side view being a mirror image thereof.
The broken lines in the drawings illustrate the environment of the claimed design and form no part of thereof.

1 Claim, 2 Drawing Sheets



(56)

References Cited

OTHER PUBLICATIONS

Peerless 9" 4-Hook Key Rail, Hazelnut with Bronze Copper Highlights, 1 page, <http://www.walmart.com/ip/Peerless-9-4-Hook-Key-Rail-Hazelnut-with-Bronze-Copper-Highlights/21849327>, retrieved from the Internet on Aug. 21, 2013.
Stanley Hardware 813071 4-Hook Rail, Satin Nickel/White, 1 page, [http://www.walmart.com/ip/Stanley-Hardware-813071-4-Satin-](http://www.walmart.com/ip/Stanley-Hardware-813071-4-Satin-Nickel-Hooks-On-9-inch-White-Rail-Keytidy/19867857)

[Nickel-Hooks-On-9-inch-White-Rail-Keytidy/19867857](http://www.walmart.com/ip/Stanley-Hardware-813071-4-Satin-Nickel-Hooks-On-9-inch-White-Rail-Keytidy/19867857), retrieved from the internet on Aug. 21, 2013.

4 Hook Key Rail White and Satin Nickel, Model No. 262-WT4SN, 2 pages, <http://www.menards.com/main/home-decor/crafts/hooks-mounting/4-hook-key-rail-white-and-satin-nickel/p-1656525-c-12640.htm>, retrieved from the internet on Aug. 21, 2013.

* cited by examiner

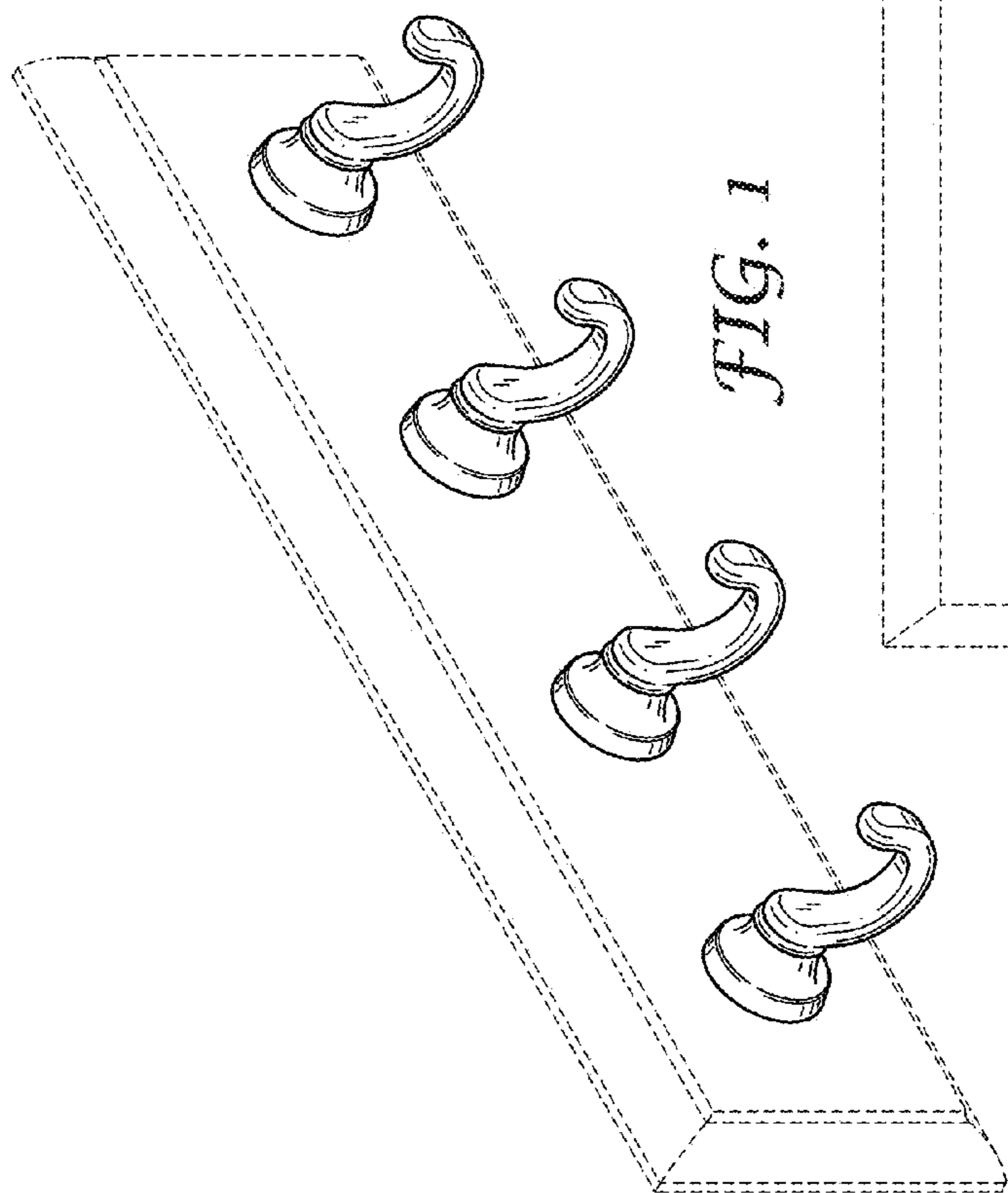


FIG. 1

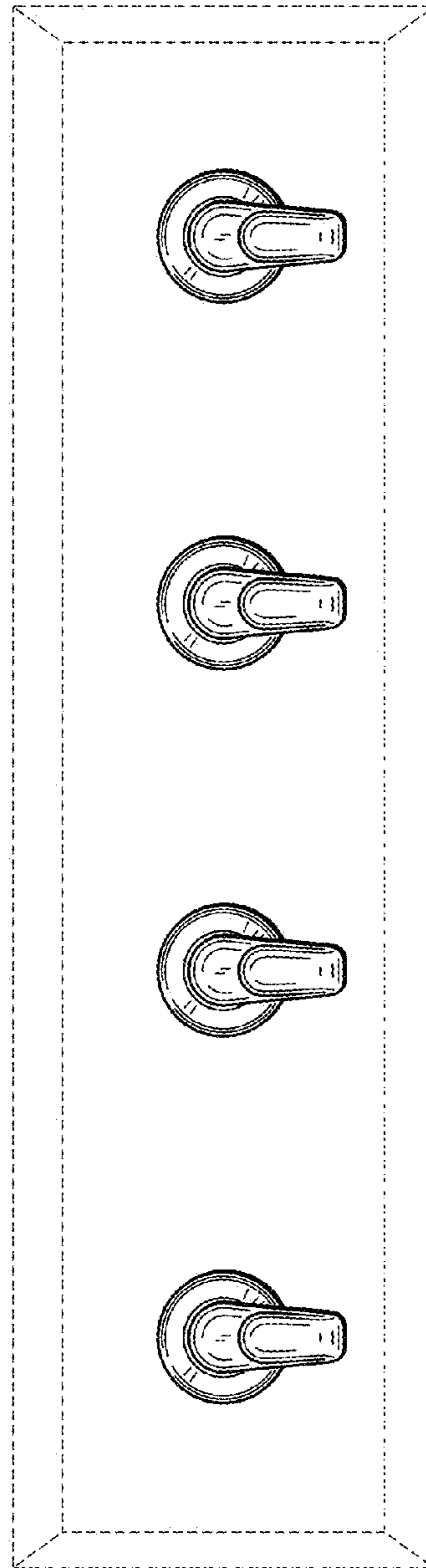


FIG. 2



FIG. 3

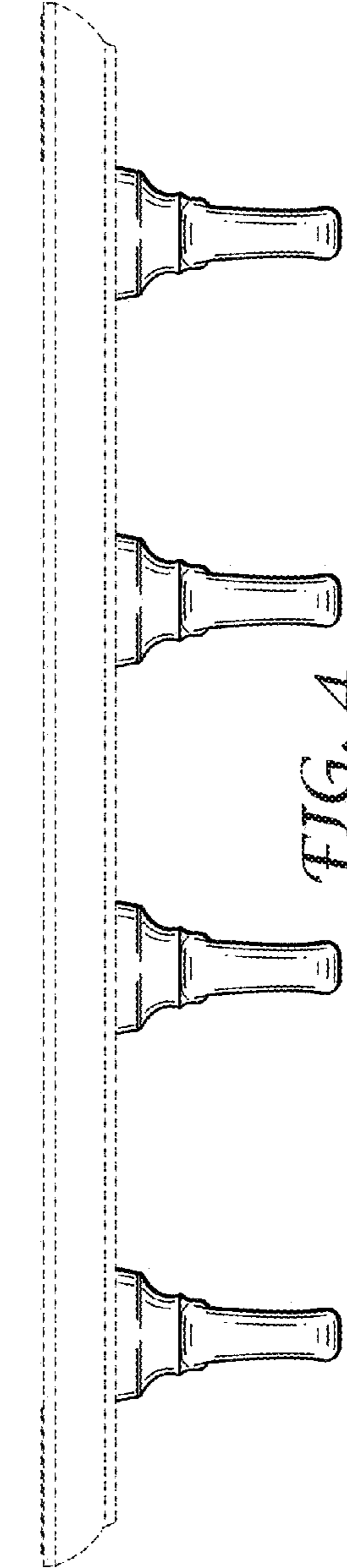


FIG. 4

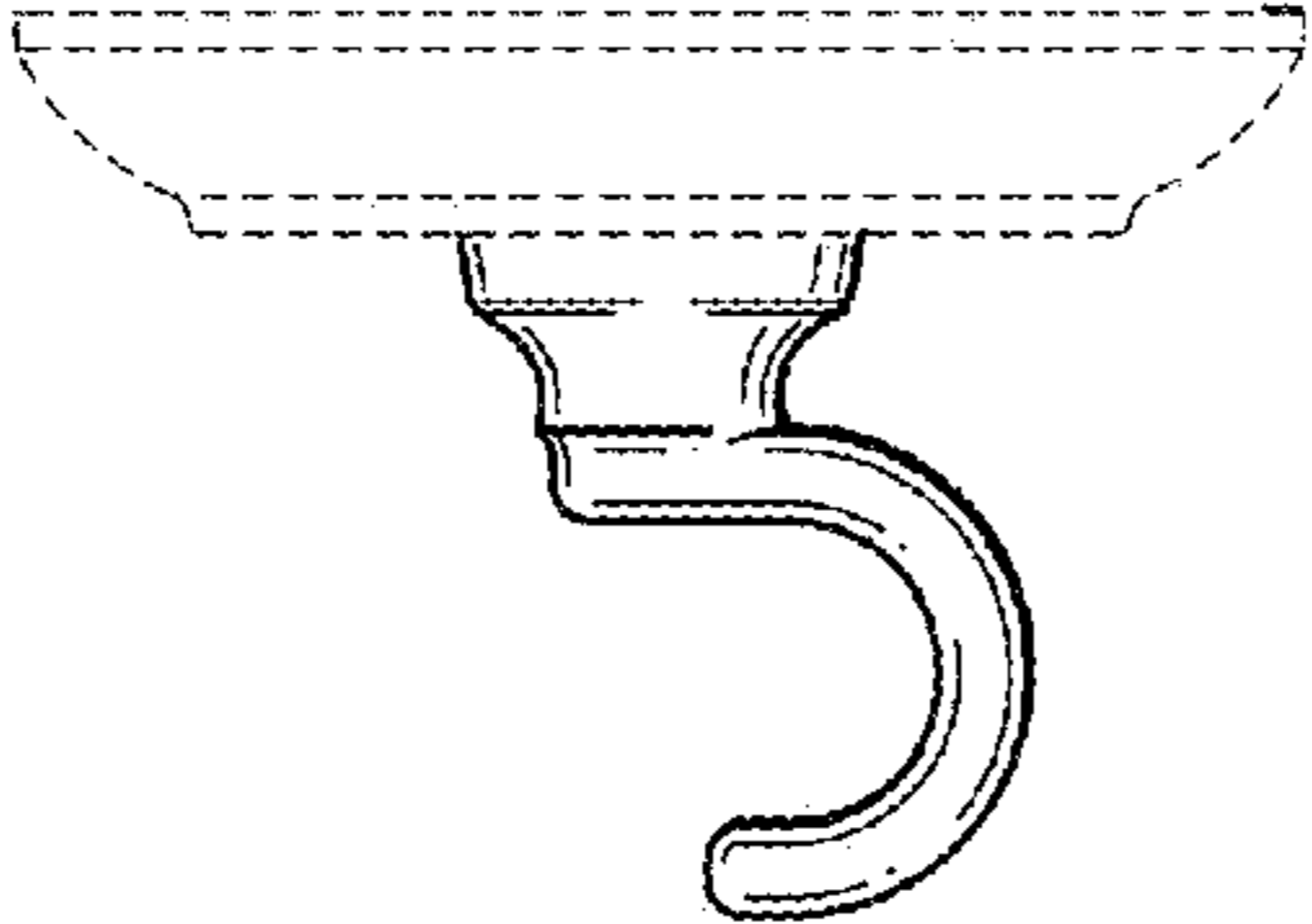


FIG. 6

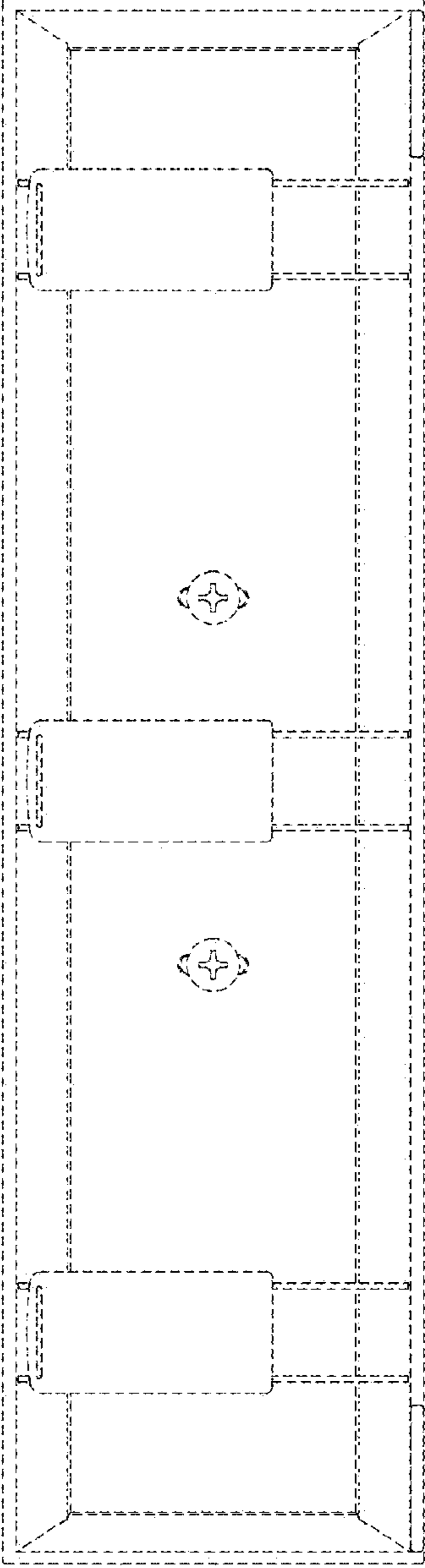


FIG. 5